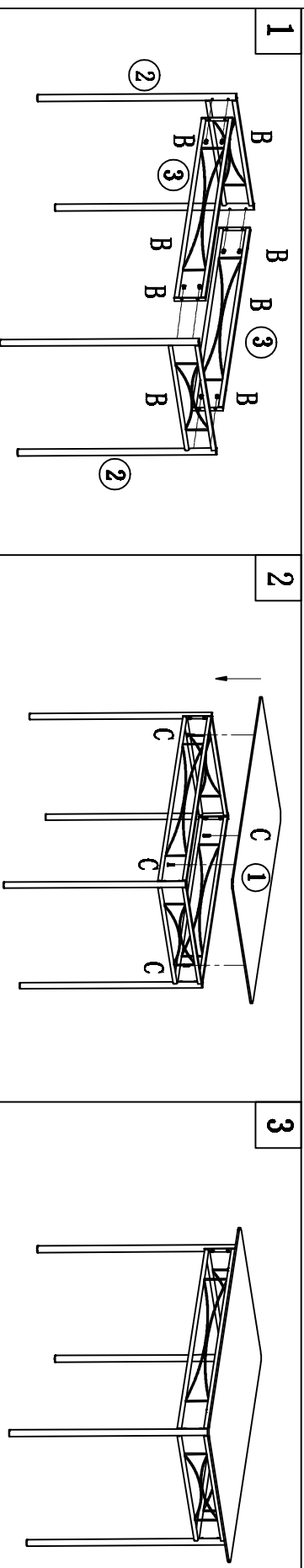


## Installation Steps

### Table

**Caution:**if the table or chair wobbles loosen the parts and try to assemble again. Our table and chairs can only be used on a flat, level surface. For better use, we may advise you tighten all the screws every few months.



### Installation Steps

### Bar Stool

**Caution:**if the table or chair wobbles loosen the parts and try to assemble again. Our table and chairs can only be used on a flat, level surface. For better use, we may advise you tighten all the screws every few months.

