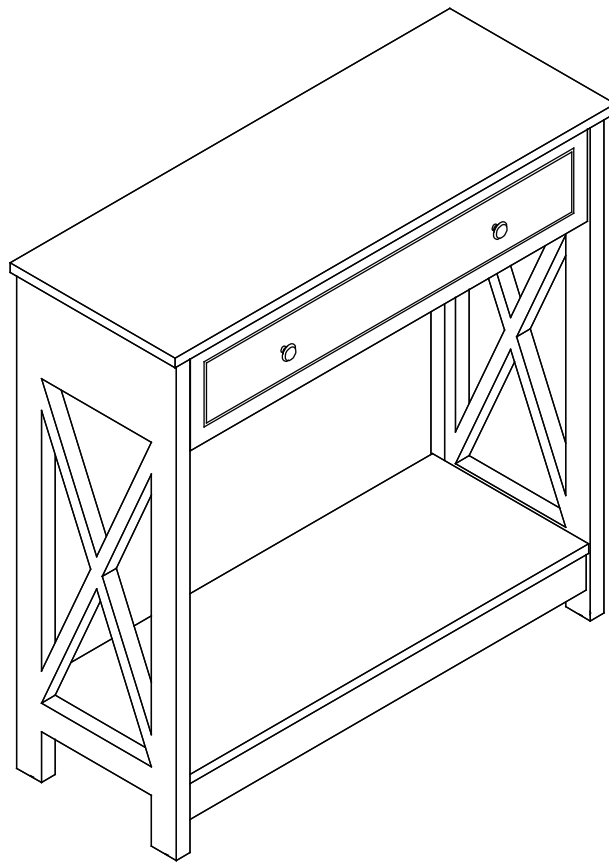


# HALL TABLE WITH DRAWER



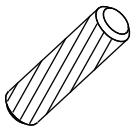




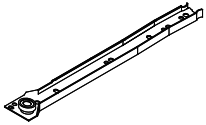
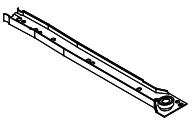
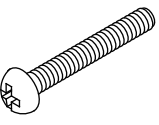
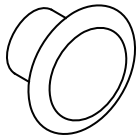
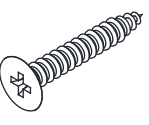
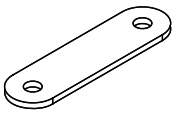
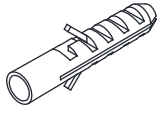
## **ASSEMBLY INSTRUCTIONS**

---

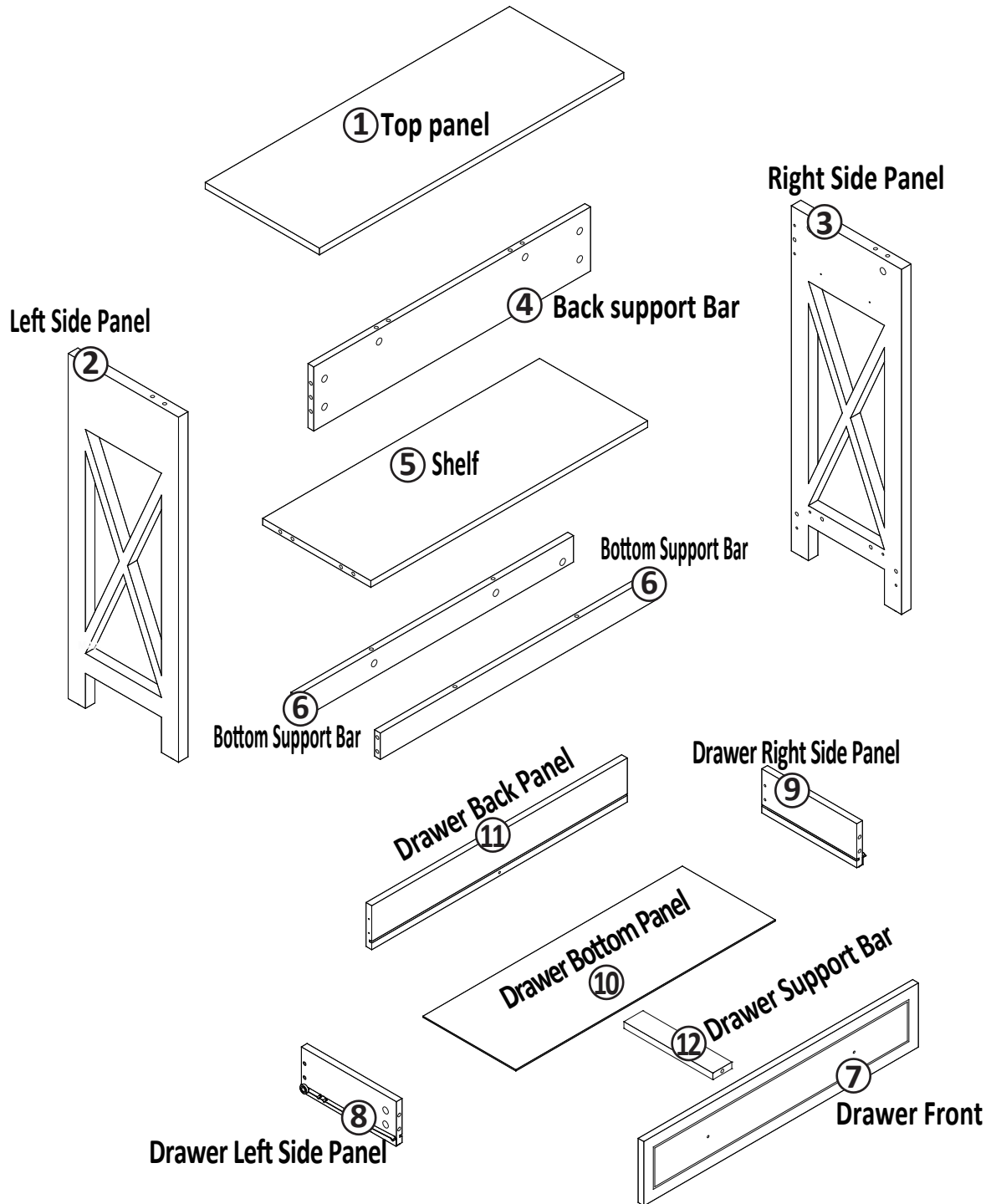
We have designed our furniture with you , the customer in mind . Our clear , easy to follow , step by step instructions will guide you through the project from start to finish . Feel confident that this will be a fun and rewarding project . The final product will be a quality piece of furniture that will go together smoothly and give years of enjoyment .

---

## Hardware List

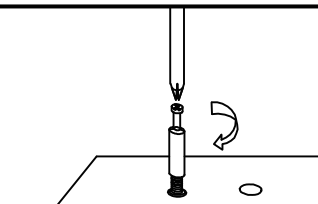
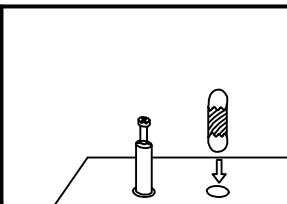
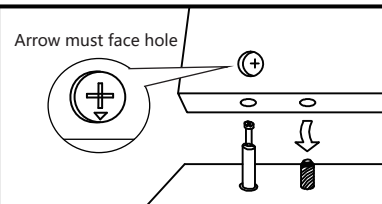
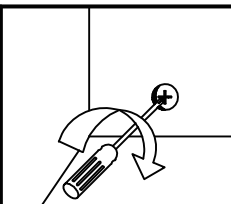
<b>A</b> 	<b>B</b> 	<b>C</b> 	<b>D</b> 	<b>E</b> 
<b>Wood Dowel( 16pcs )</b>	<b>Cam Bolt ( 27pcs )</b>	<b>Cam Lock ( 27pc)</b>	<b>Small Screw (4pc)</b>	<b>Screw (7pc)</b>
<b>F</b> 	<b>G</b> 	<b>H</b> 	<b>I</b> 	<b>J</b> 
<b>Left Glider (1pc)</b>	<b>Right Glider (1pc)</b>	<b>Handle Screw ( 2pcs )</b>	<b>Handle (2pc)</b>	<b>Medium Screw (2pc) 4*20</b>
<b>K</b> 	<b>L</b> 			
<b>Anti-Tip Bracket ( 2pcs )</b>	<b>Anchor (2pc)</b>	<b>Glue : For securing please apply to wood dowel first before inserting into panel .</b>		

## Panel List



\*Please count and verify all parts before assembly.\*

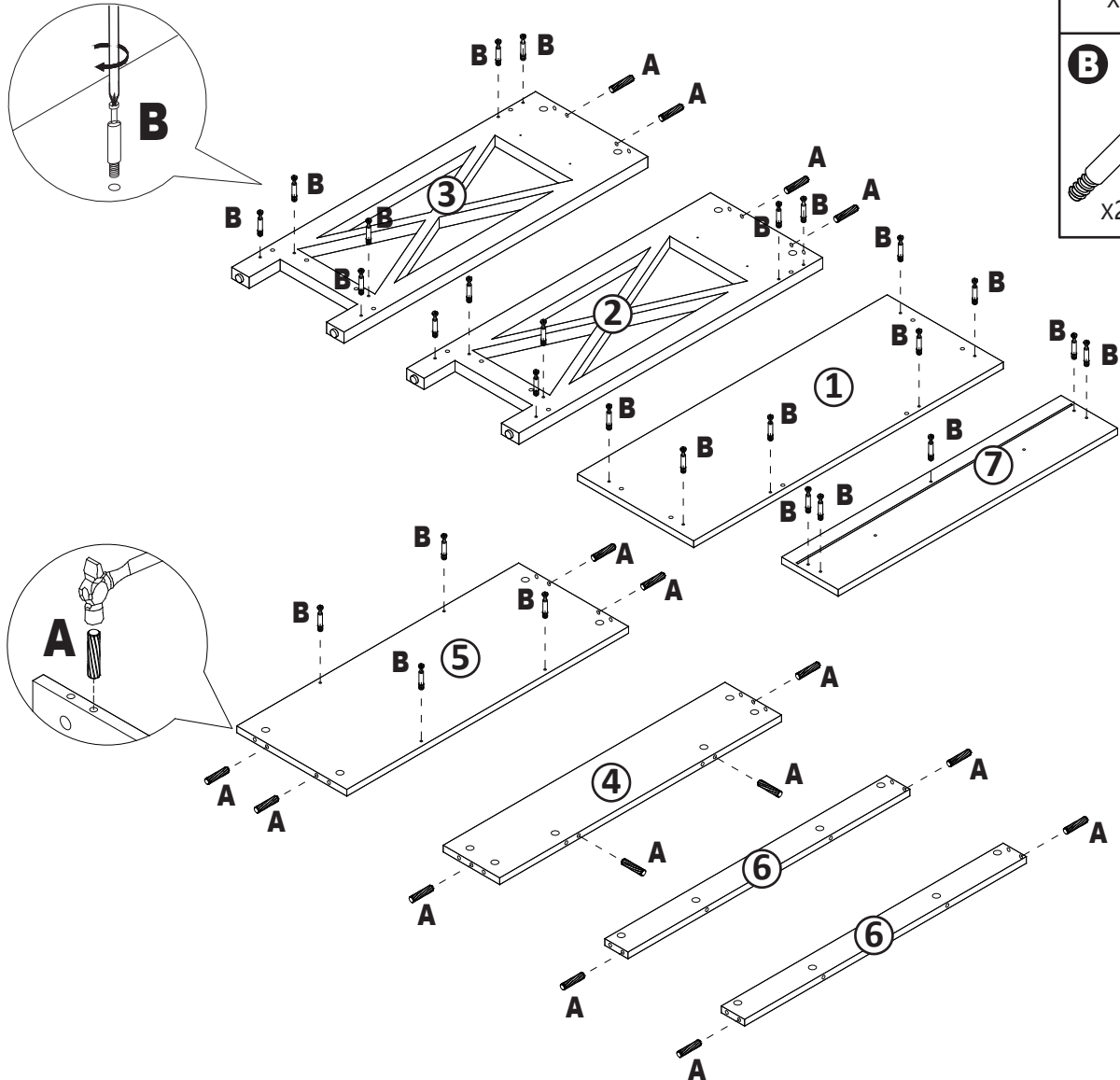
## Assembling the unit with camlocks and wood dowels.

			
Gently screw cambolt into the threaded anchor.	Lightly glue one end of the wood dowel and tap halfway into hole.	Lightly glue wood dowel and connect to second panel by inserting dowels into holes.	Screw the camlock firmly into locked position.

### Step 1

**\*Assemble unit on carpet or flat surface.**

1. Screw Cambolts (B) into Top Panel ①, Left Side Panel ②, Right Side Panel ③, Drawer Front ⑦ and Bottom Shelf ⑤ as shown.
2. Insert Wood Dowels (A) into Left Side Panel ②, Right Side Panel ③, Bottom Support Bars ⑥, Back Support Bar ④ and Bottom Shelf ⑤.

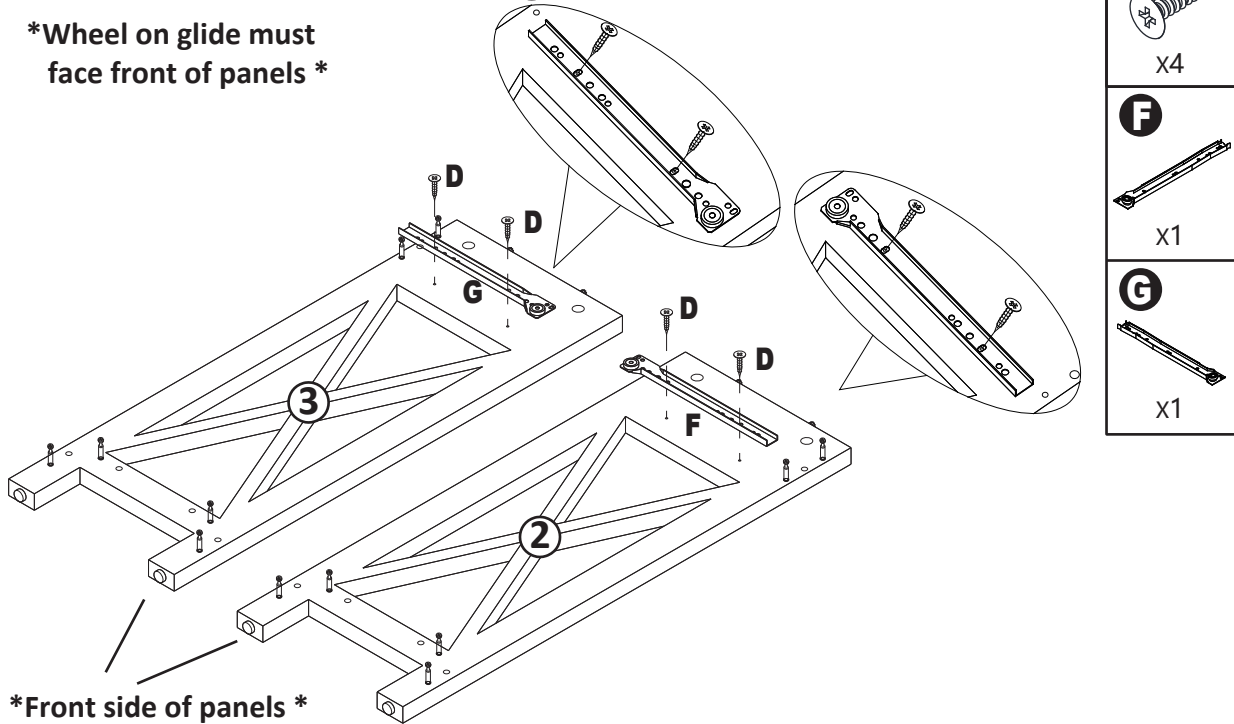


## Step 2

\*Assemble unit on carpet or flat surface.

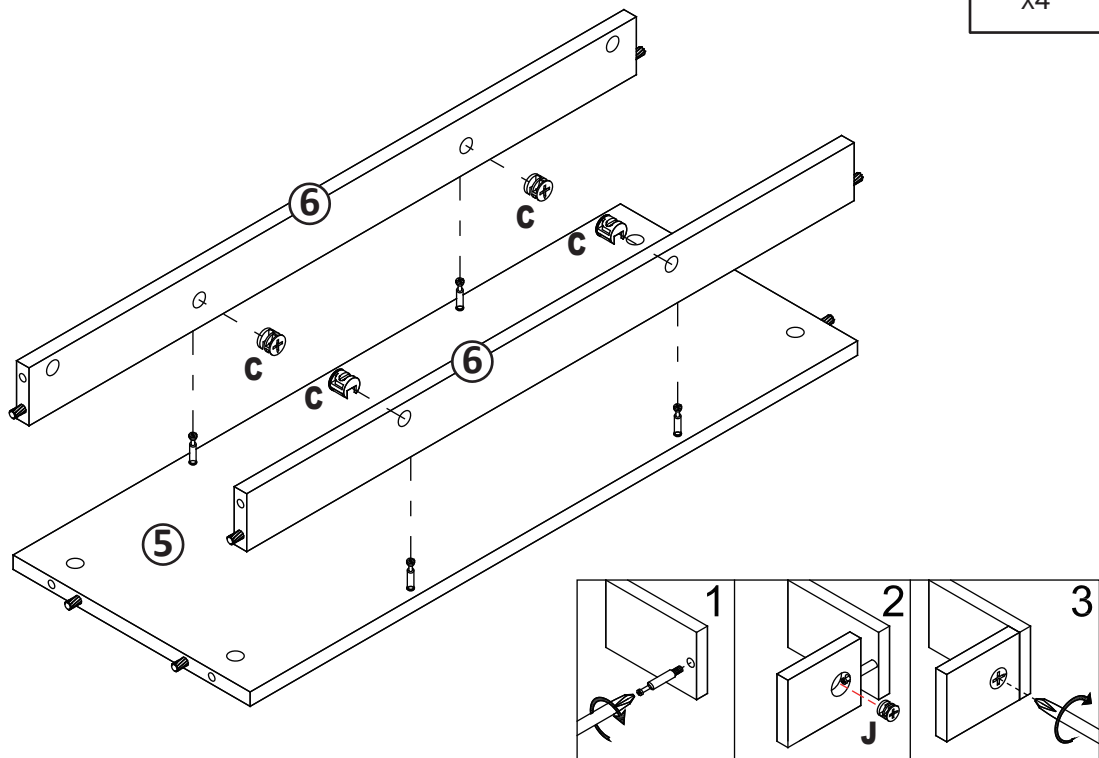
1. Attach Glider (F) to left side panel (2) using small screws (D) .
2. Attach Glider (G) to right side panel (3) using small screws (D) .

**\*Wheel on glide must face front of panels \***



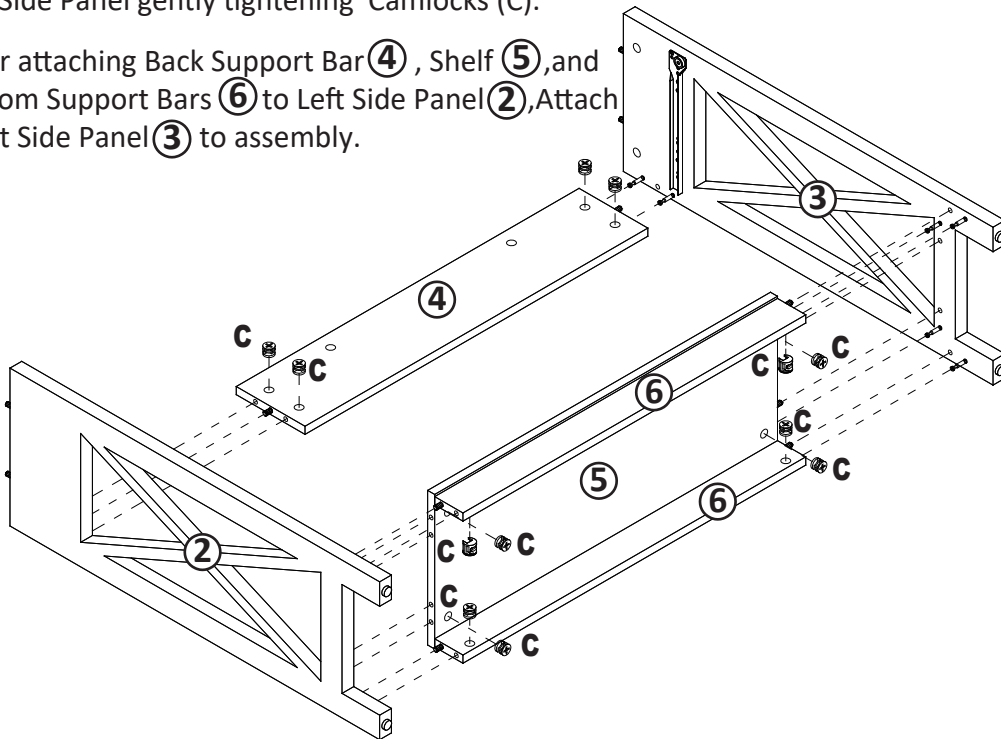
## Step 3

1. Attach Bottom Support Bars (6) to Shelf (5) using Cam Locks (C) by gently tightening camlocks .



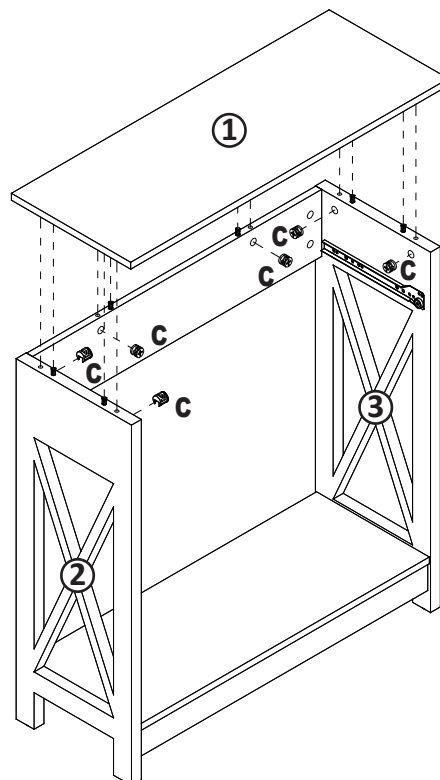
## Step 4

1. Insert Camlocks (C) into Back Support Bar (4), Shelf (5) and Bottom Support Bars (6) .
2. Connect Back Support Bar (4) , Shelf (5), and Bottom Support Bars (6) to Left Side Panel gently tightening Camlocks (C).
3. After attaching Back Support Bar (4) , Shelf (5), and Bottom Support Bars (6) to Left Side Panel (2), Attach Right Side Panel (3) to assembly.



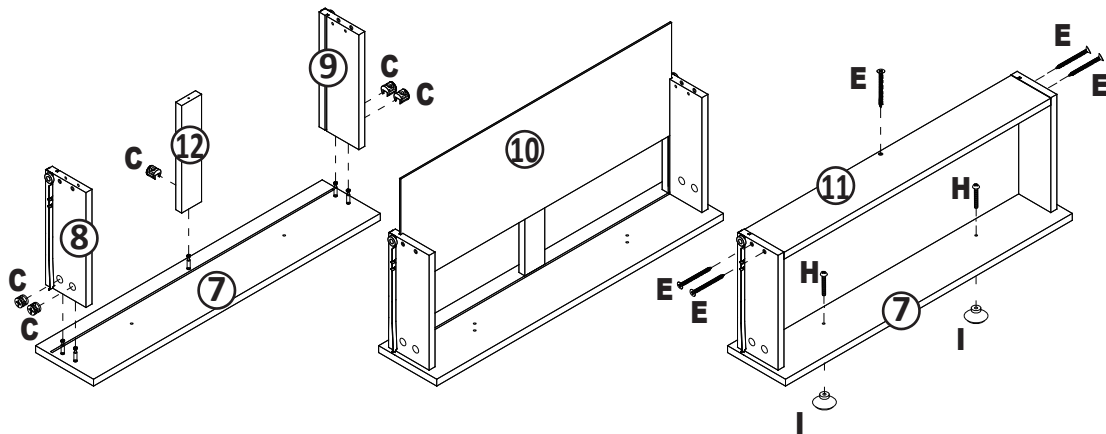
## Step 5

1. Stand assembly upright.
2. Attach top panel (1) to back support bar (4), side panel (2) and side panel (3) using camlocks (B).



## Step 6

1. Attach drawer side panels (8) & (9) and drawer bottom support bar (12) to drawer front (7) using camlocks (C).
2. Insert drawer bottom panel (10) into grooves of drawer assembly.
3. Connect drawer back panel (11) to assembly by using screws (E).
4. Attach handles (I) to drawer front (7) by using handle screws (H).



C



x5

E



x5

H



x2

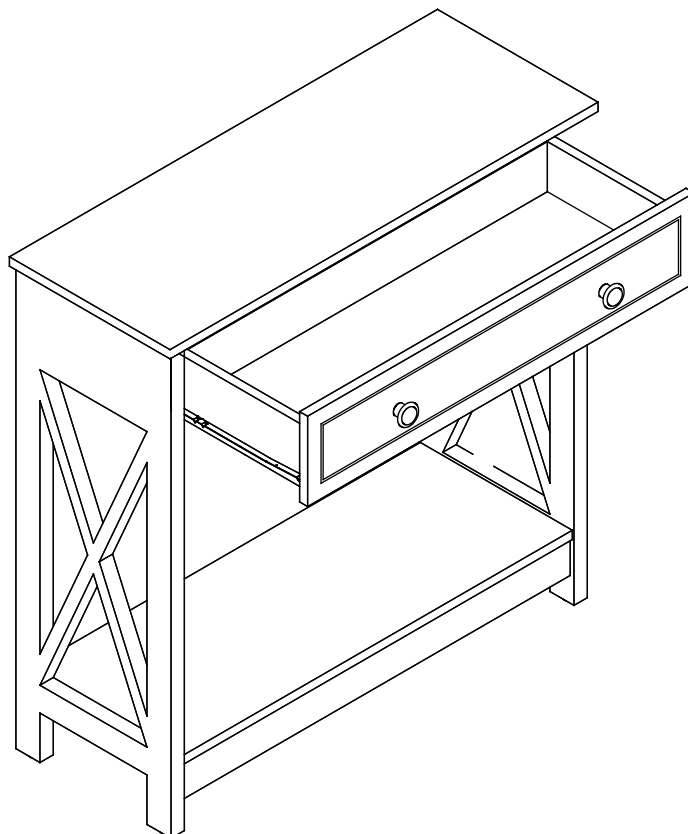
I



x2

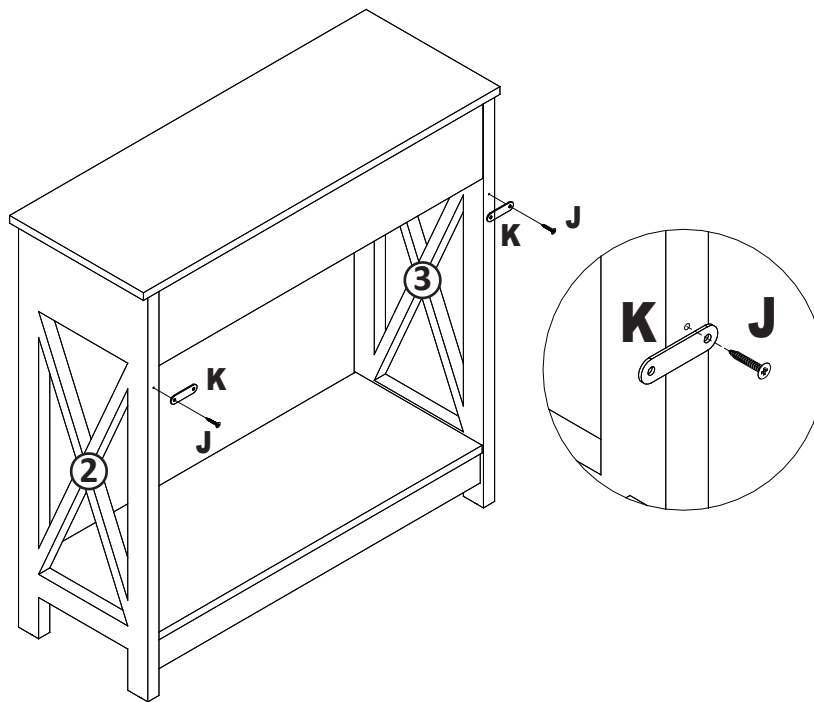
## Step 7

1. Carefully insert drawer into unit.



## Step 8

1. Attach anti-tip brackets (K) to left panel ② & right panel ③ using medium screw (J).
2. Place unit against wall and mark bracket holes.

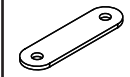


**J**



x2

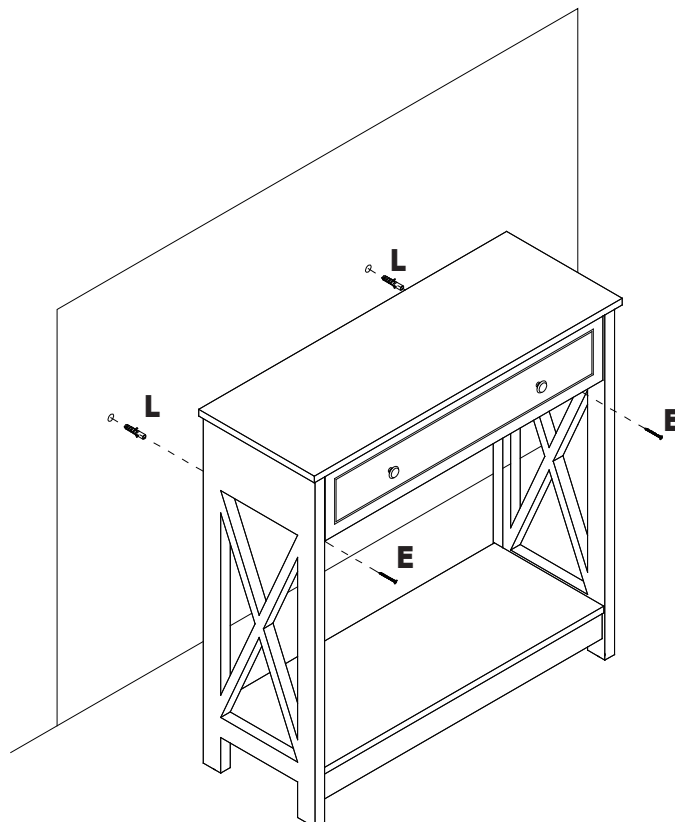
**K**



x2

## Step 9

1. Drill holes in wall slightly smaller than anchor (L) and gently tap anchors into holes.
2. Fasten unit to wall using screw (E) through brackets (L).
3. Enjoy.

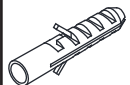


**E**



x2

**L**



x2