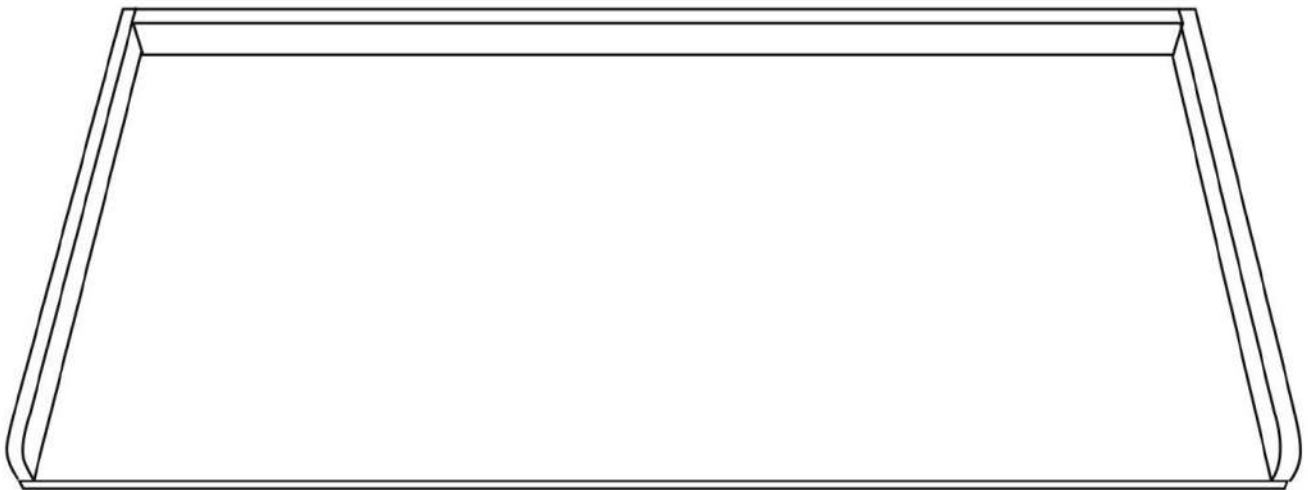


KABOON

Kaboon Washer Dryer Countertop Assembly Manual

V3.2



Thank you for choosing KABOON! We always focus on product improvement and service upgrades. Should you have any issues or suggestions, please don't hesitate to contact us at below email and we will reply in 24hours.

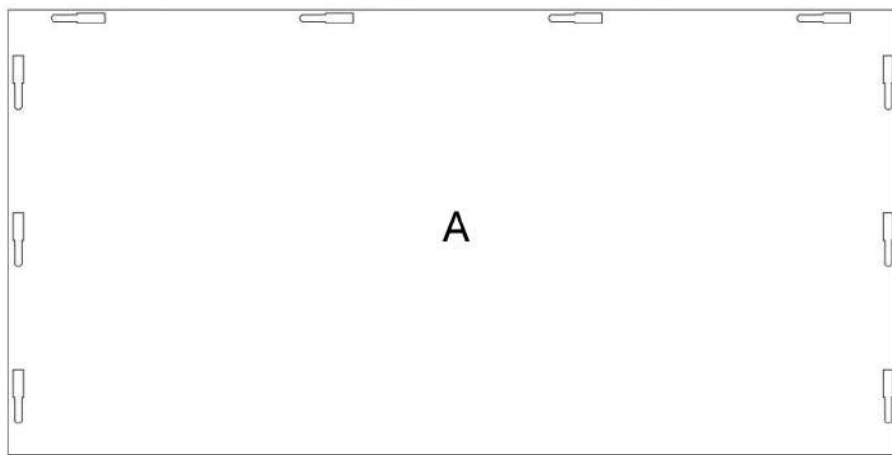
support@kaboondesk.com

www.kaboondesk.com
Instagram: @kaboondesk
Facebook: @Kaboon

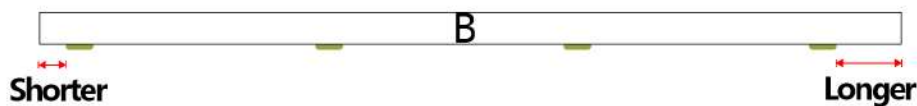
IMPORTANT SAFETY INFORMATION

- Check package contents against supplied parts and hardware list to ensure all parts were received in good condition. If you require replacement parts, please get in touch with Kaboon customer service.
- Carefully read all instructions before attempting installation. Please contact Kaboon customer service if you have any concerns or questions.
- To provide the best service to you, do not forget to register your Kaboon product to confirm your warranty. It only takes a few simple steps and then you can access a wide range of services such as technical support, new product alert, promotions, and warrant services from Kaboon. Send our name and order ID to support@kaboondesk.com.

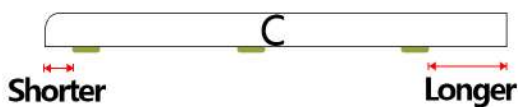
SUPPLIED PARTS



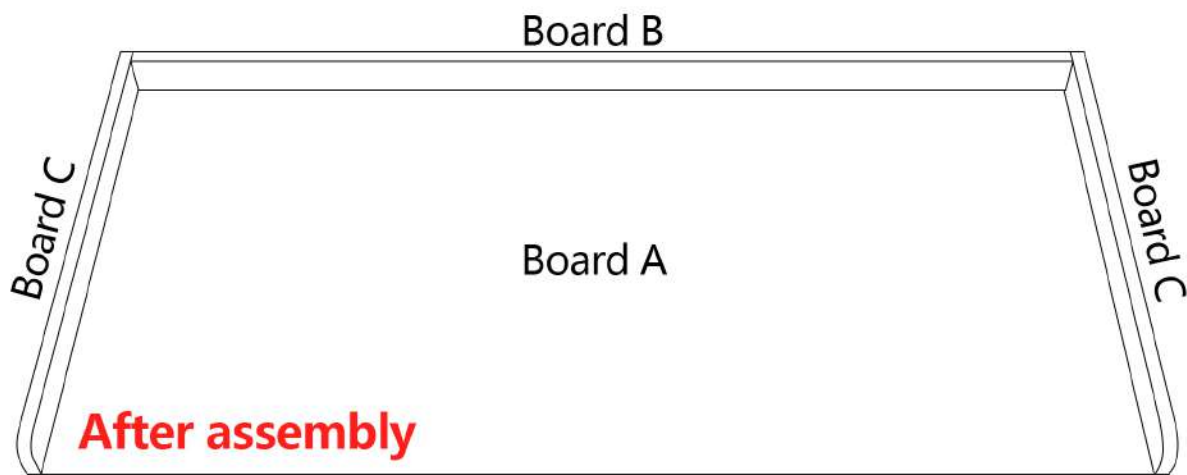
Board A×1



Board B×1



Board C×2



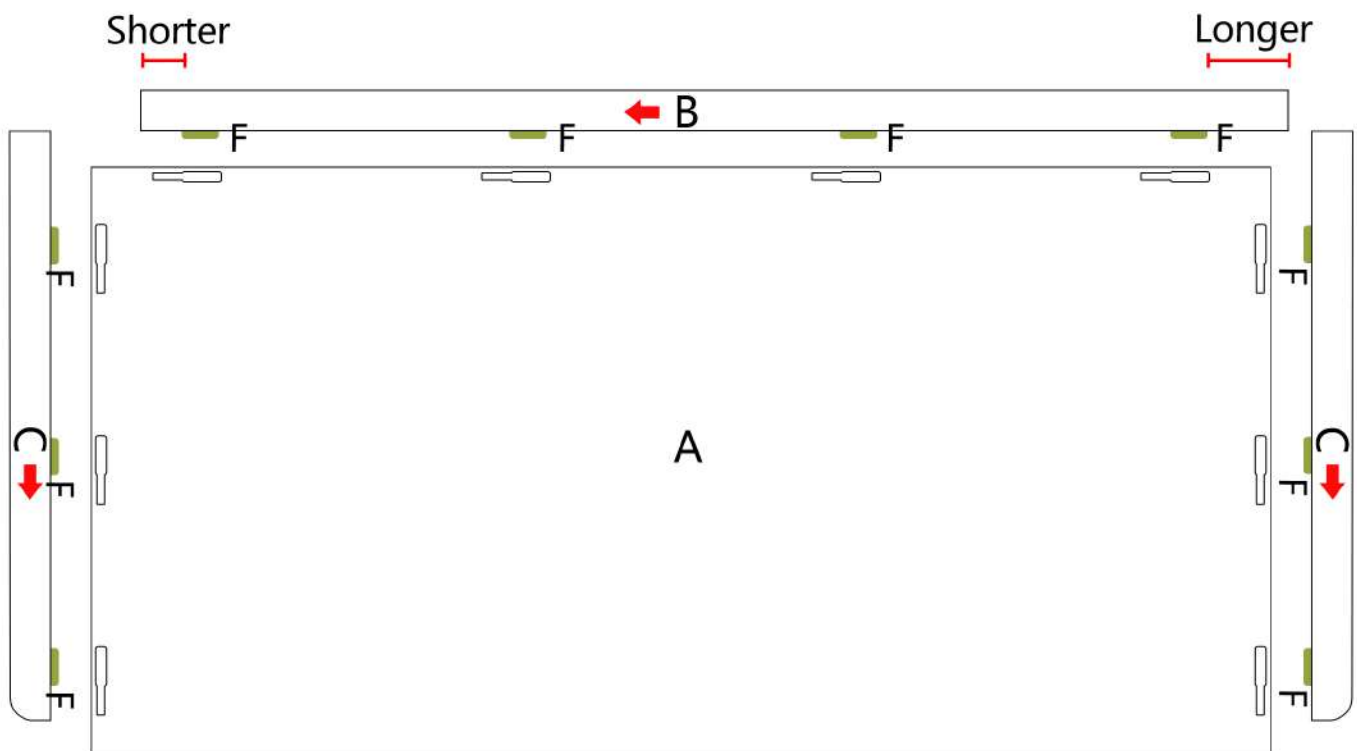
STEP 1

Parts: BoardA×1, BoardB×1, BoardC×2
Tool: Hammer

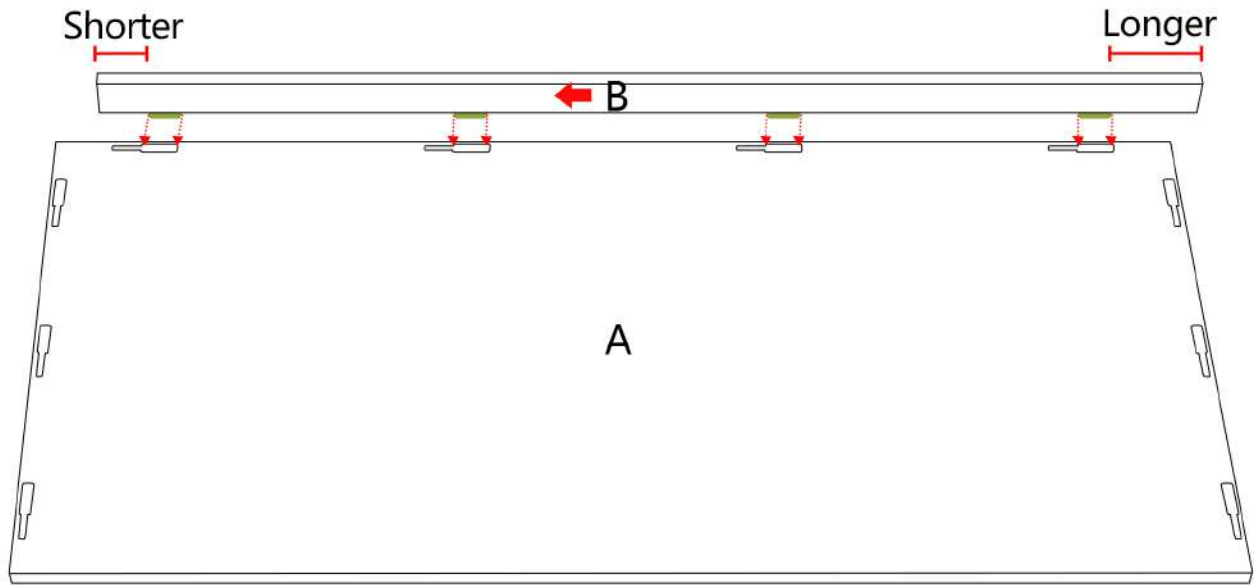
1.1 Prior to commencing the assembly process, it is imperative to verify the precise positioning of each wooden component as follows:

- (1) Carefully inspect the orientation of the connectors.
- (2) Prioritize the insertion of all connectors F towards the base initially.

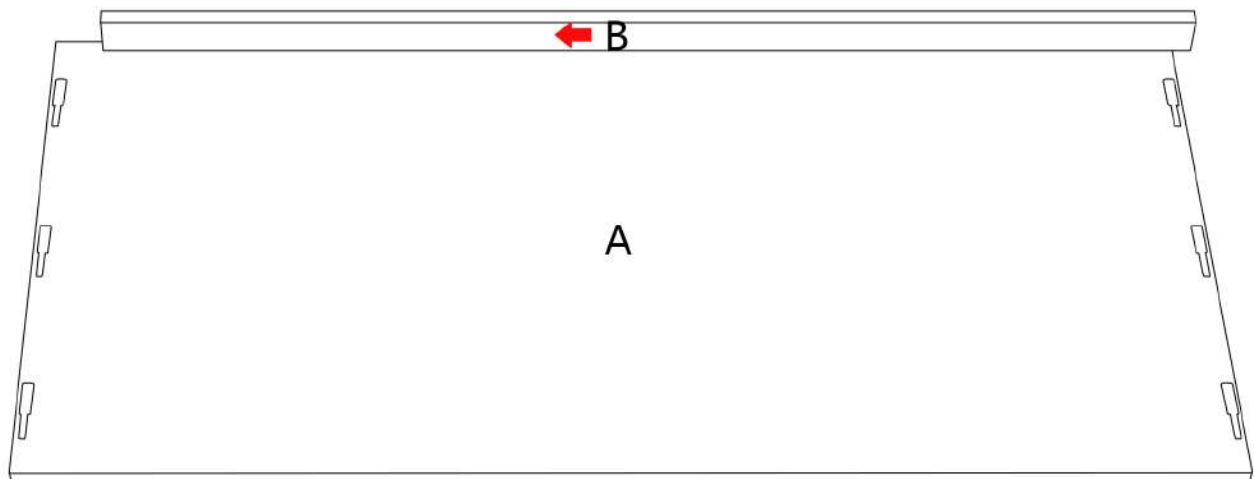
Attention: Board (B) features uneven spacing between its outer two connections (F) and its left and right edges. To ensure proper installation, make sure to orient the board with its shorter side on the left and longer side on the right.



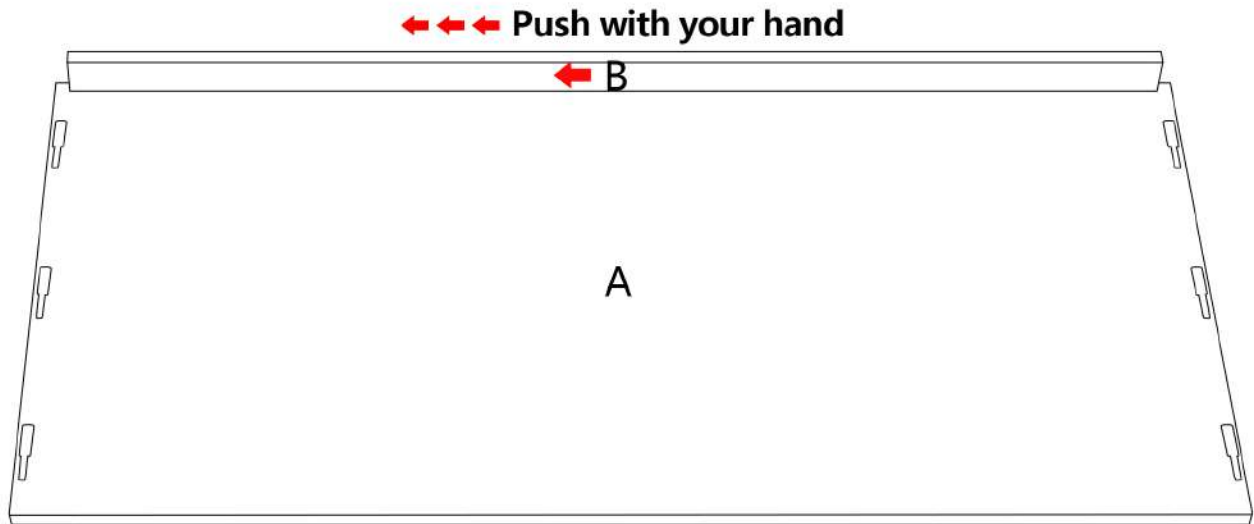
1.2 Position boards (A) and (B) in accordance with the orientation illustrated in the figure below.



1.3 Insert the connections (F) attached to board (B) into the larger slots located on board (A).



1.4 Push board (B) and let connections (F) slide from the larger slots to the smaller slots until get stuck, then board (B) just sits in the middle. If sliding becomes difficult, **gently tap** board (B) with a hammer as needed, but **AVOID** applying excessive force.

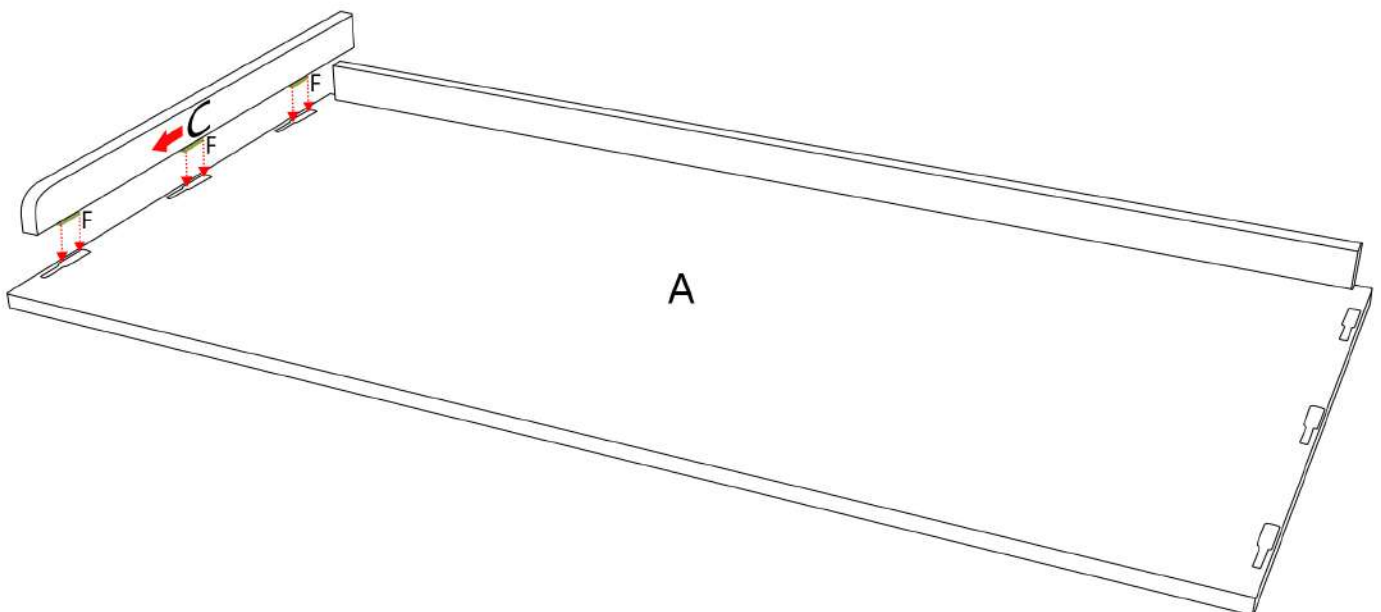


STEP 2

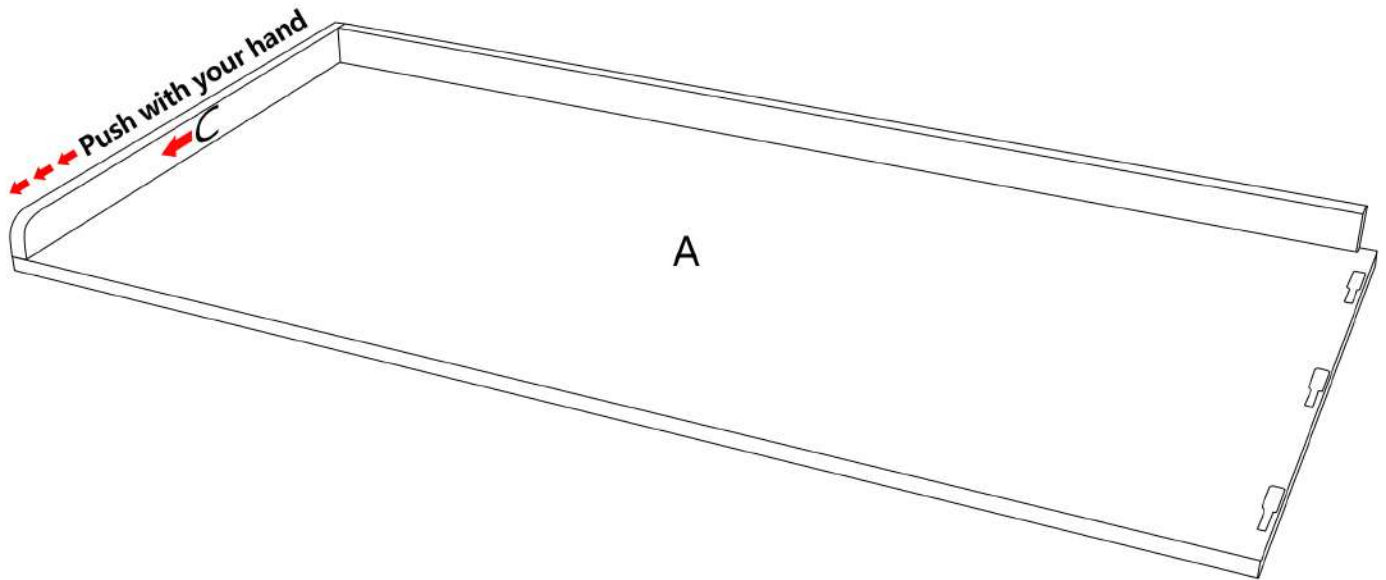
Parts: Board C×2

Tool: Hammer

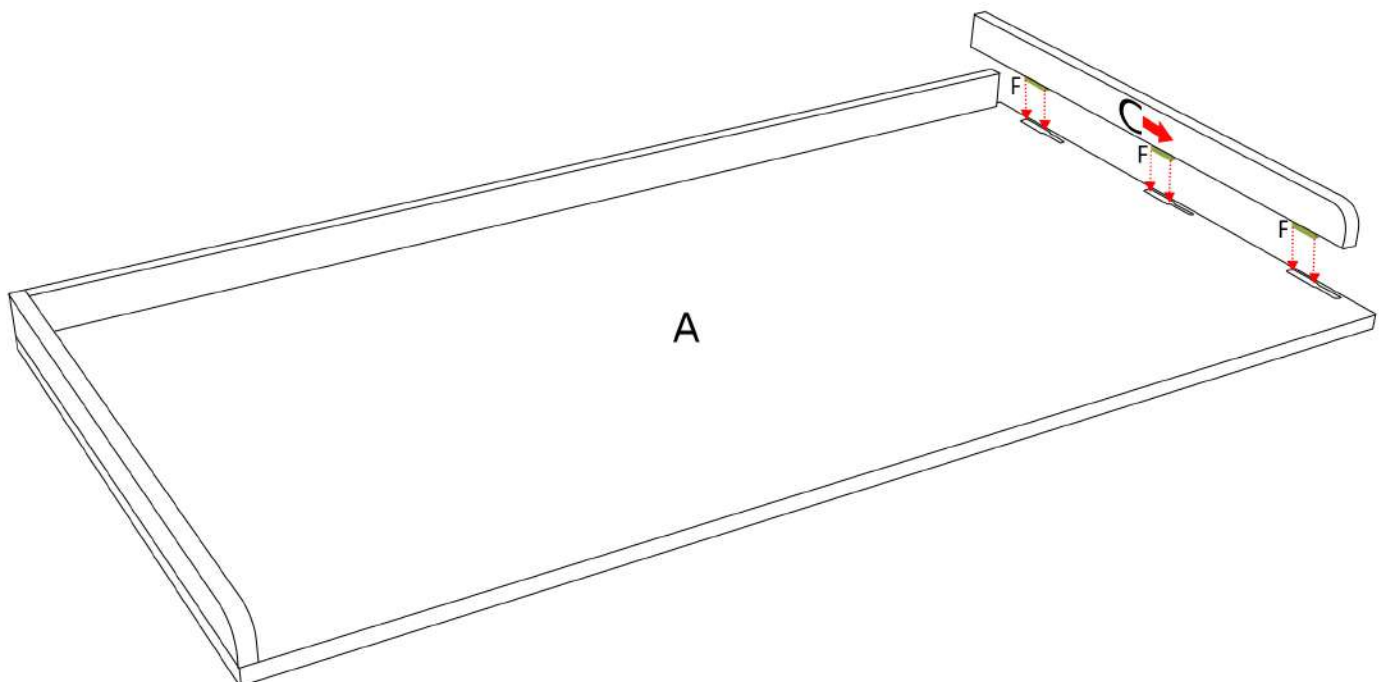
2.1 Take board (C) and insert the connections (F) attached to board (C) into the larger slots on board (A).



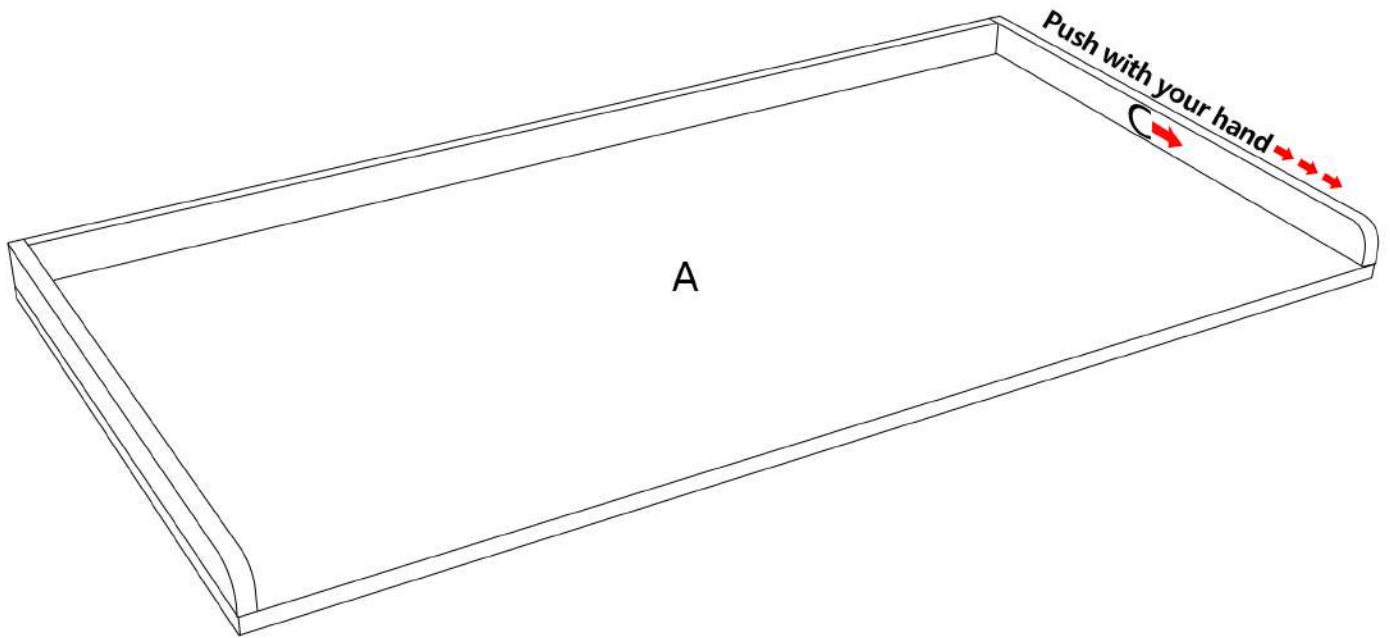
2.2 Push board (C) and let connections (F) slide from the larger slots to the smaller slots until get stuck, and let board (C) just sit on the edge of board (A). If sliding becomes difficult, **gently tap** board (C) with a hammer as needed, but AVOID applying excessive force.



2.3 Take board (C) and insert the connections (F) attached to board (C) into the larger slots on board (A).

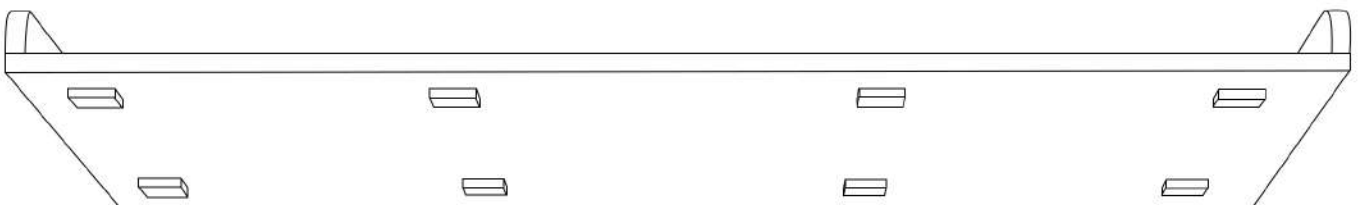


2.4 Push board (C) and let connections (F) slide from the larger slots to the smaller slots until get stuck, and let board (C) just sit on the edge of board (A). If sliding becomes difficult, **gently tap** board (C) with a hammer as needed, but AVOID applying excessive force.



STEP 3 Anti-Slip Pad × 8

Placing Scotch Anti-Slip Pads under each corner keeps the countertop in place with no slipping.



Esteemed client,
Thanks for choosing Kaboon!

We maintain a firm conviction that your interaction with our furniture will be delightful, granting you enduring practicality and elegant style.

To ensure the product stays looking its best, we recommend the following daily care tips:

- Wipe it regularly with a soft, damp cloth to remove dust or debris.*
- Avoid using abrasive or harsh chemicals to clean it, as this can damage the MFC surface.*
- Do not expose the product to extreme temperatures or humidity for a long time.*

*To provide the best service to you, do not forget to register your Kaboon product to confirm your warranty. It only takes a few simple steps and then you can access a wide range of services such as technical support, new product alert, promotions, and warranty services from Kaboon. Send your name and order ID to **support@kaboondesk.com**.*

We hope that your enjoyment of utilizing our product aligns with your expectations. Should queries or apprehensions arise, kindly reach out to us without hesitation.

Sincerely,

Kaboon Team