



# SPECIFICATIONS

## COS-RGS305SS Gas Range



### COS-RGS305SS

Transform the way you cook with Cosmo's COS-RGS305SS Gas Range. Cook a variety of different foods using the sealed 5 burner cooktop and fan convection oven with 6 functions.

### Features

- Designed for slide-in installation
- 5 sealed burners
- 4.8 cu. ft. convection oven
- 6 oven functions & oven light
- Oven cavity ventilation system for safe heat dissipation
- Cast iron grates
- Solid metal knobs

<b>Size</b>	30 Inch / 4.8 cu. ft. Capacity
<b>Fuel</b>	Gas
<b>Installation</b>	Slide-In
<b>Controls</b>	Full Metal Knobs
<b>Oven</b>	Convection
<b>Finish</b>	Stainless Steel
<b>Electrical</b>	120V / 60Hz, 11.6A
<b>Racks</b>	2 Racks, 6 Positions
<b>Oven Functions</b>	Bake, Broil, Convection Bake, Air Fry, Delay Start, Keep Warm
<b>Burners</b>	<ul style="list-style-type: none"><li>• Front Right / 22,000 BTU</li><li>• Front Left / 18,000 BTU</li><li>• Middle / 6,000 BTU</li><li>• Rear Left / 6,000 BTU</li><li>• Rear Right / 3,500 BTU</li><li>• Oven Burner / 18,500 BTU</li><li>• Broil Burner / 13,500 BTU</li></ul>



Sealed Burners



Metal Knobs



Cast Iron Grates

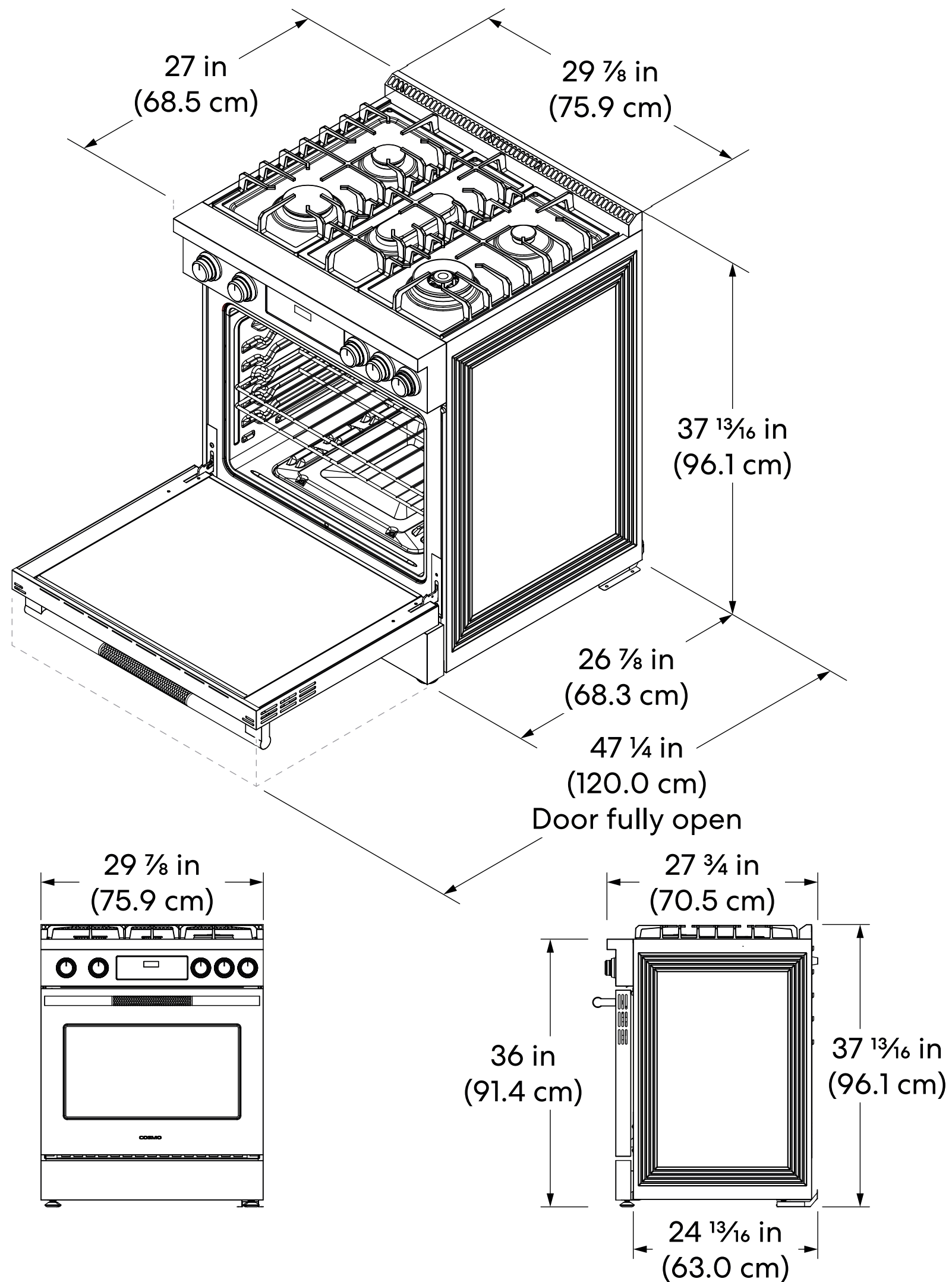


See Page 2 for dimensions



# DIMENSIONS

**COS-RGS305SS** Gas Range



**Dimensions (WxDxH): 29.9" x 27.8" x 37.8"**