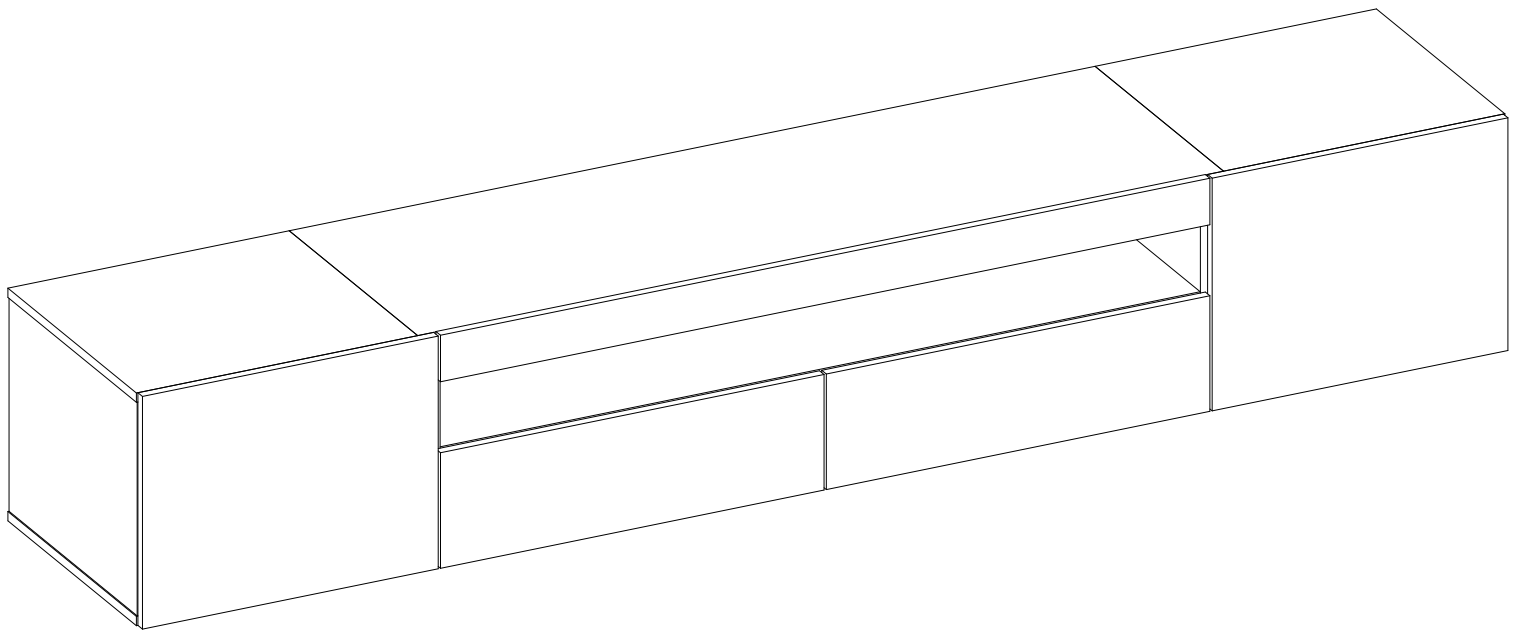
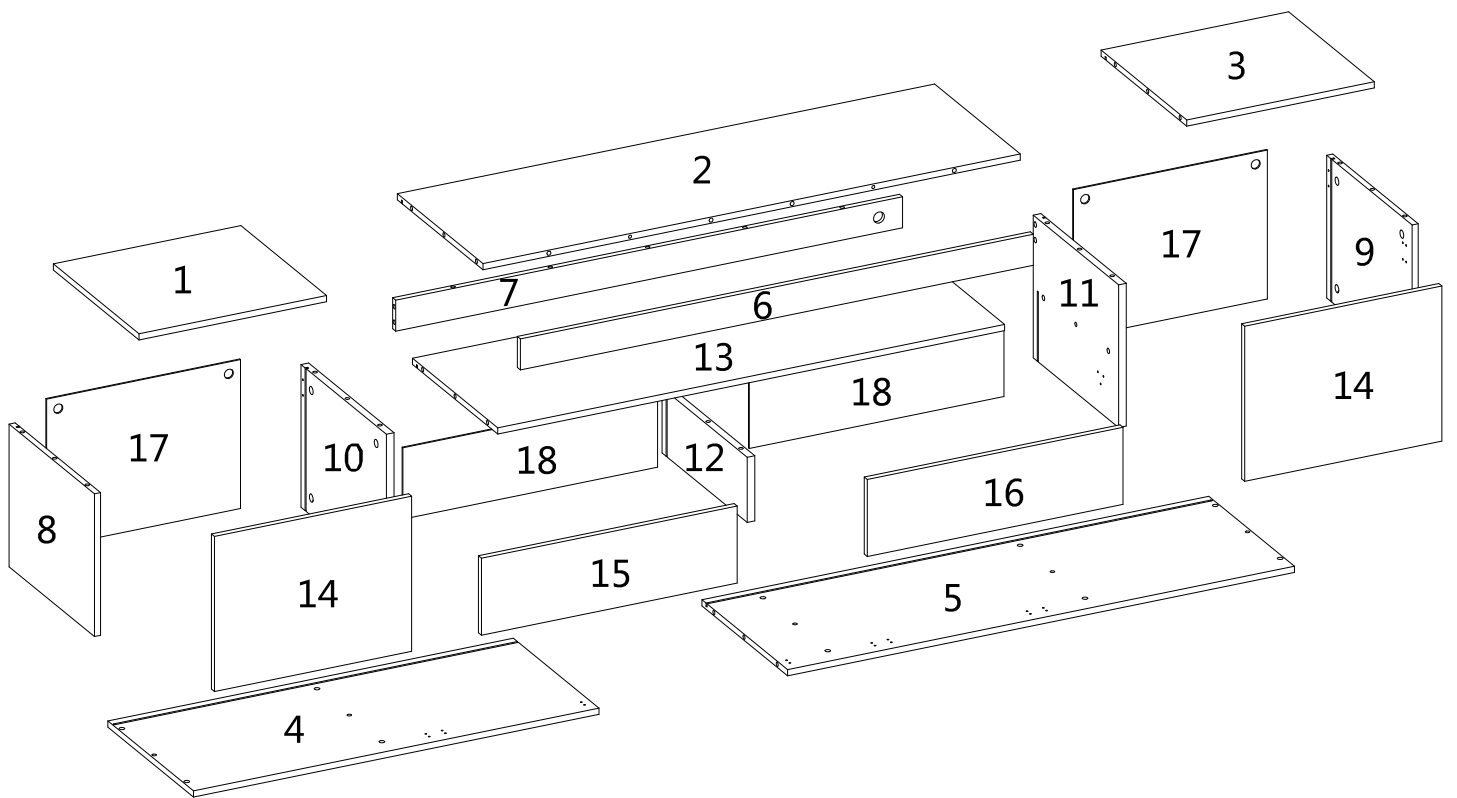
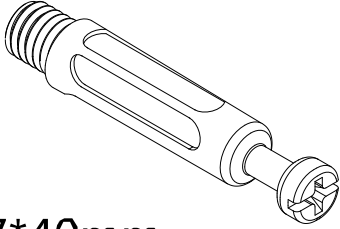


Installation & Assembly





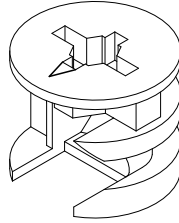
A



Ø7*40mm

35PCS

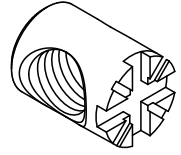
B



Ø15*9.5mm

41PCS

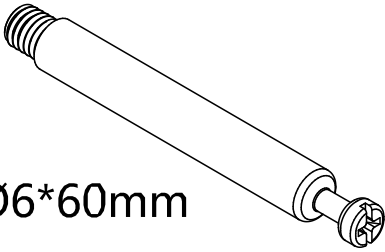
C



Ø10*9.5mm

6PCS

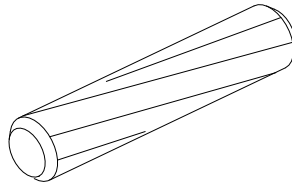
D



Ø6*60mm

6PCS

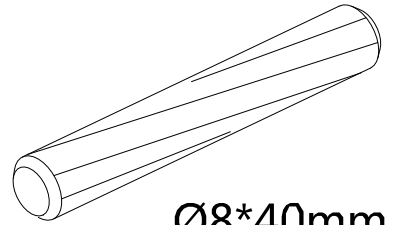
E



Ø8*30mm

14PCS

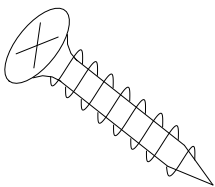
F



Ø8*40mm

3PCS

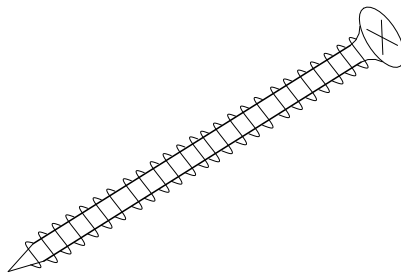
G



Ø3.5*12mm

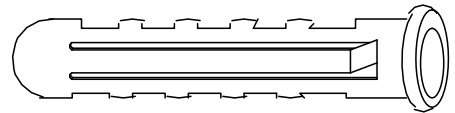
106PCS

H



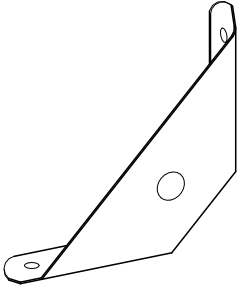
4PCS

I



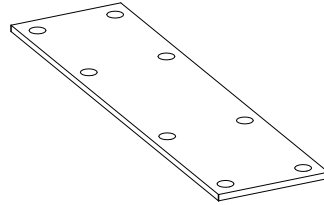
4PCS

J



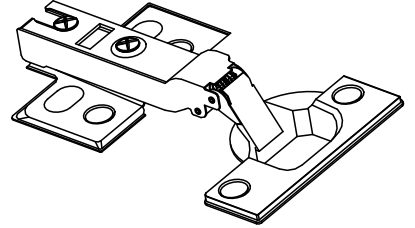
4PCS

K



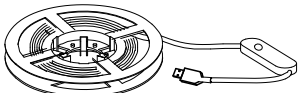
2PCS

L

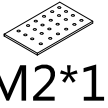


8PCS

M



M1*1



M2*1

M3*6

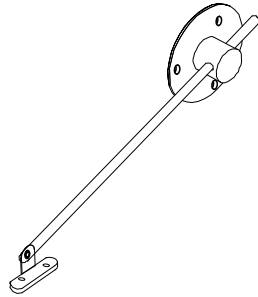


M4*6



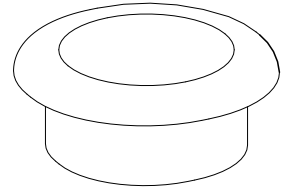
1PC

N



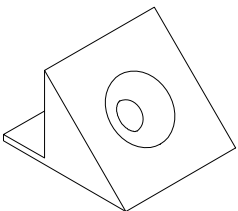
2PCS

O



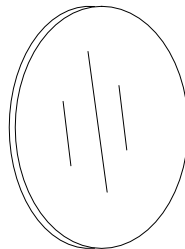
1PC

P



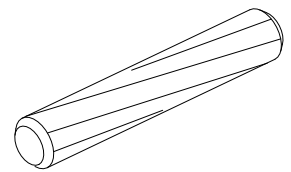
16PCS

Q



47PCS

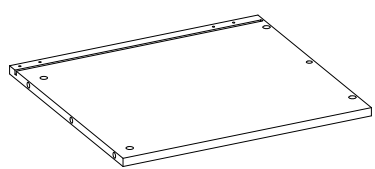
R



Ø6*30mm

2PCS

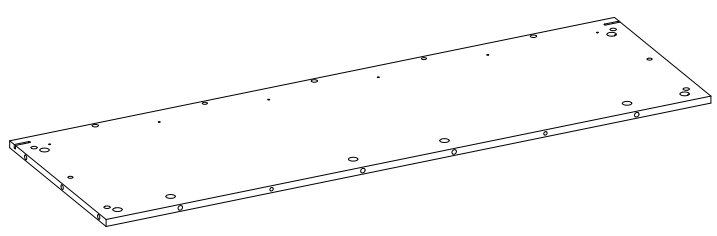
1



370*338*12mm

1PC

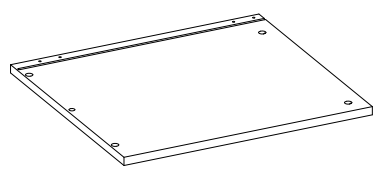
2



1060*338*12mm

1PC

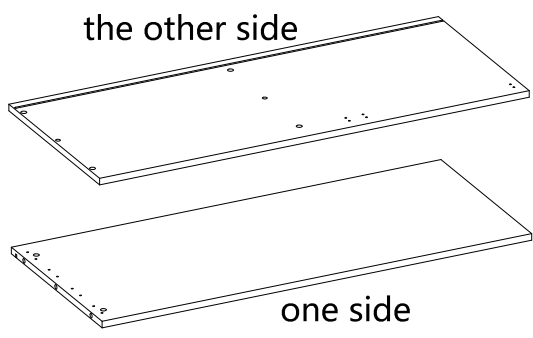
3



370*338*12mm

1PC

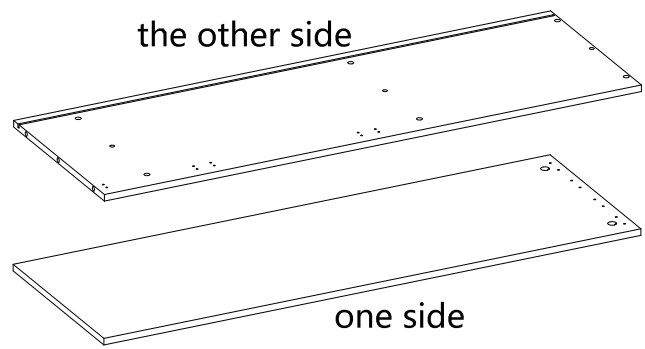
4



800*338*12mm

1PC

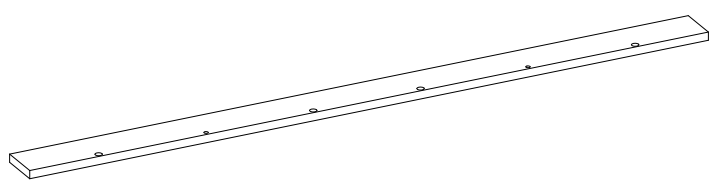
5



1000*338*12mm

1PC

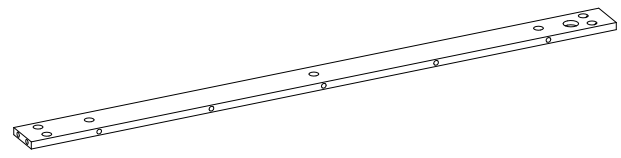
6



60*1012*12mm

1PC

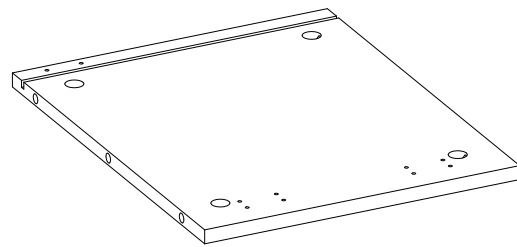
7



1000*60*12mm

1PC

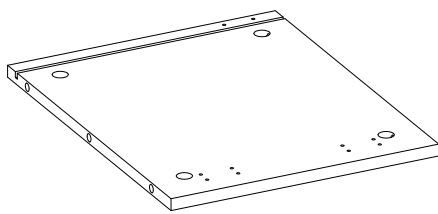
8



276*337.5*12mm

1PC

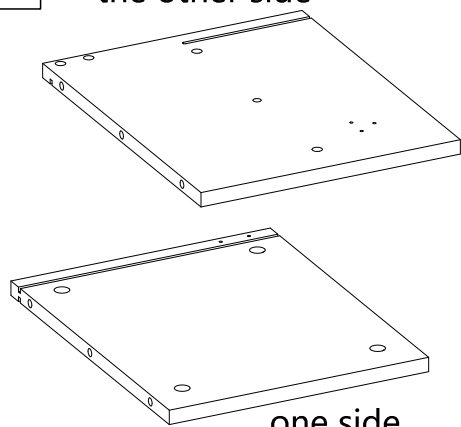
9



276*337.5*12mm 1PC

10

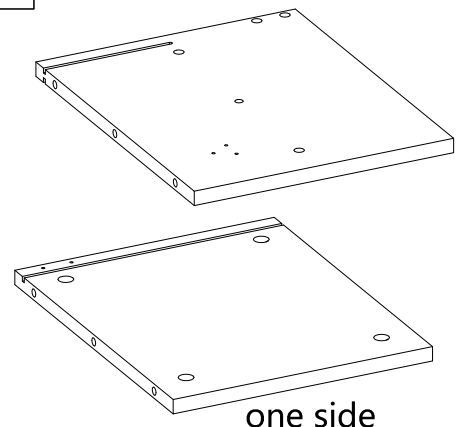
the other side



276*337.5*15mm 1PC

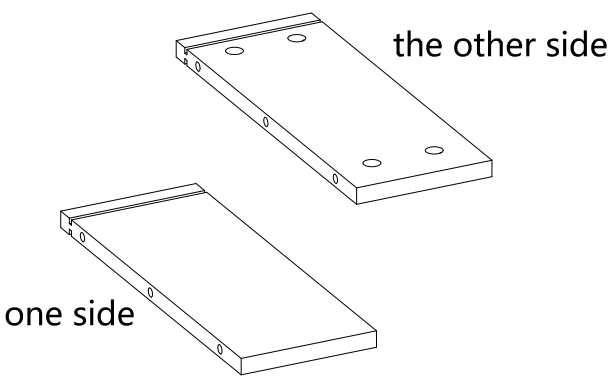
11

the other side



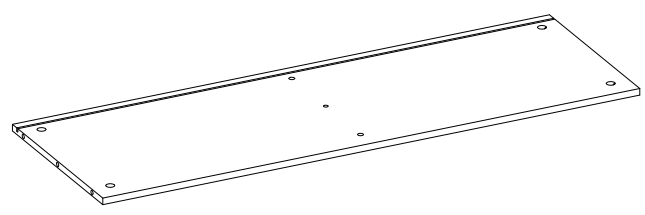
276*337.5*15mm 1PC

12



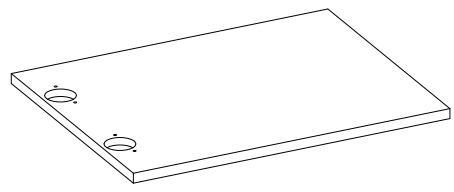
126*336.5*15mm 1PC

13



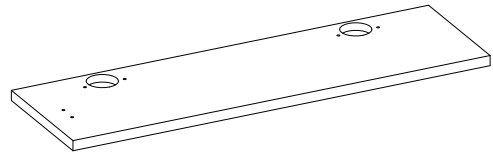
1000*337*12mm 1PC

14



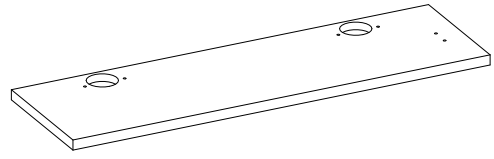
300*389*12mm 2PCS

15



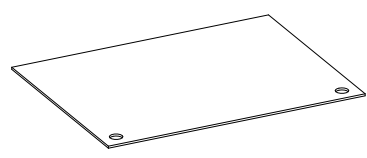
149*504.5*12mm 1PC

16



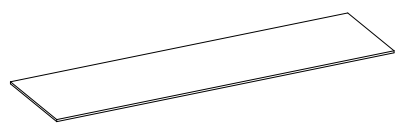
149*504.5*12mm 1PC

17



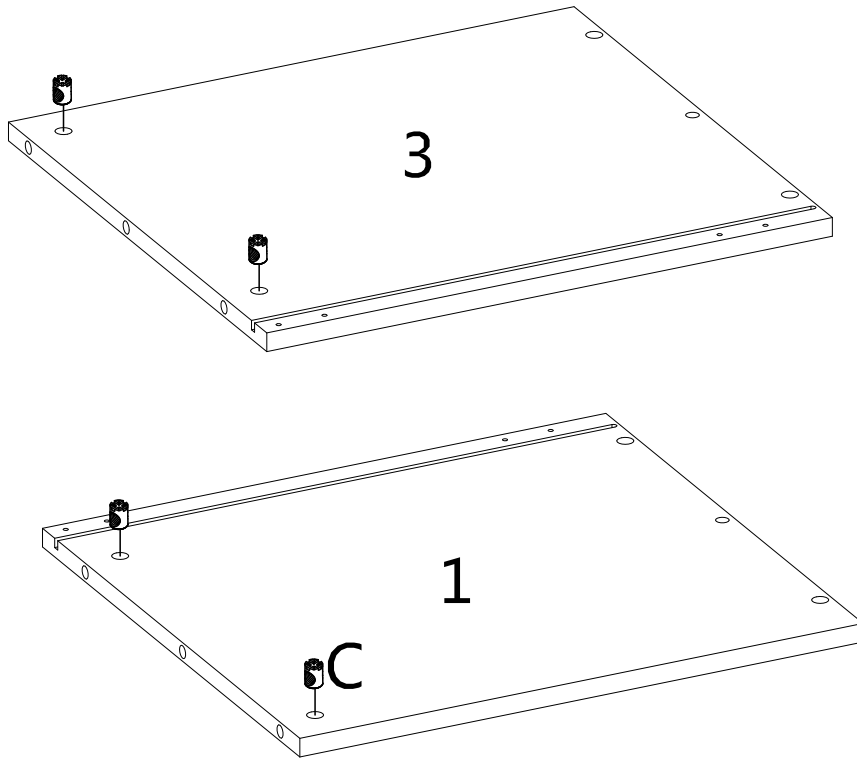
286*380.5*3mm 2PCS

18



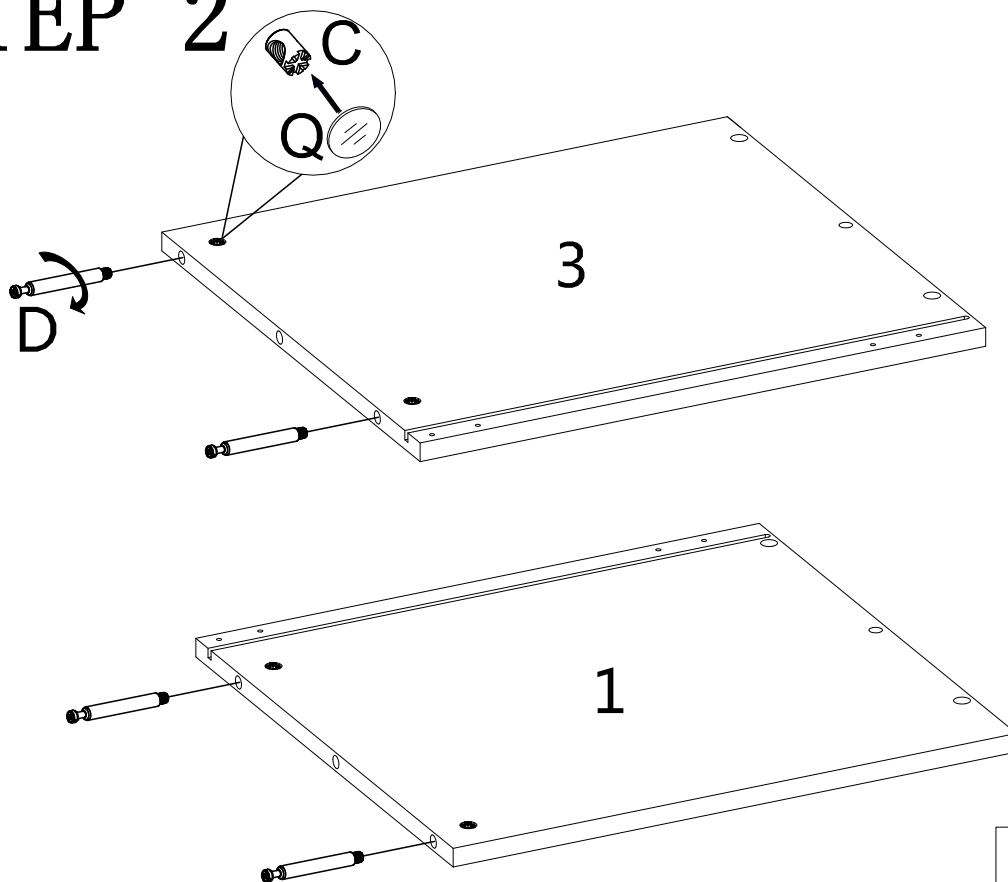
136*500.5*3mm 2PCS

STEP 1

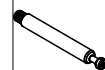


C × 4PCS

STEP 2

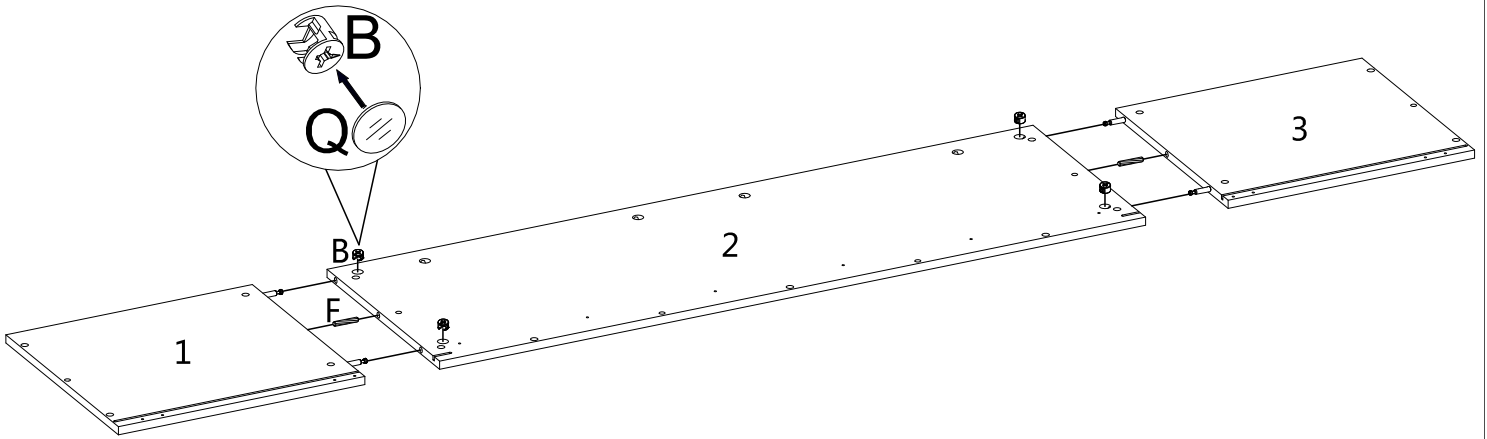





Q × 4PCS



D × 4PCS

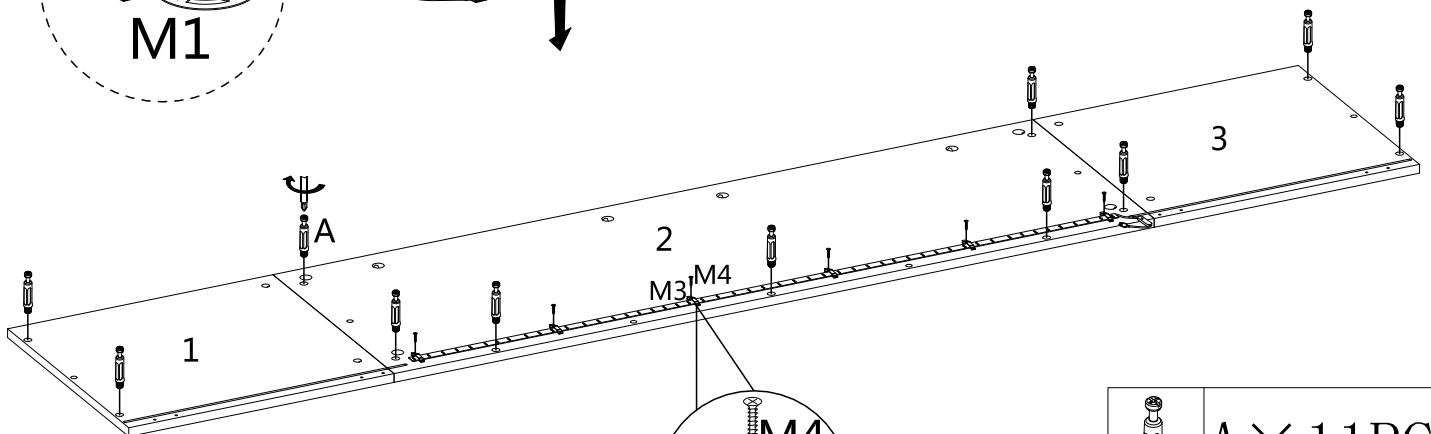
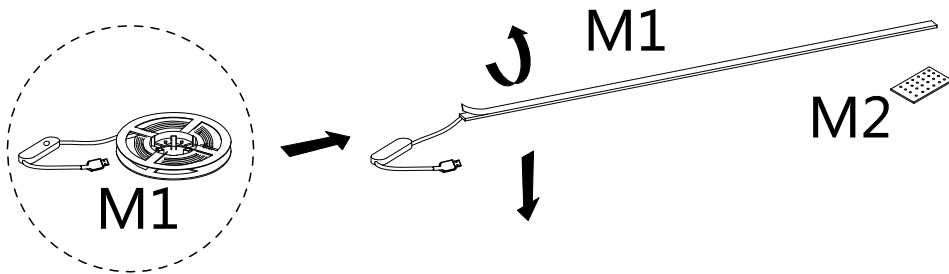
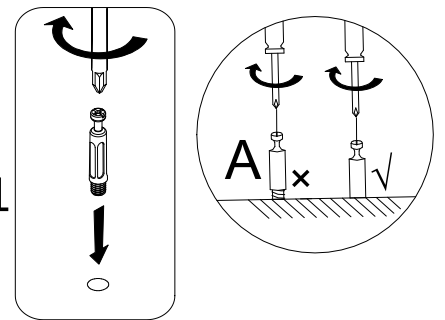
STEP 3

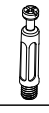






	F × 2PCS
	Q × 4PCS
	B × 4PCS

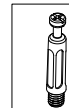
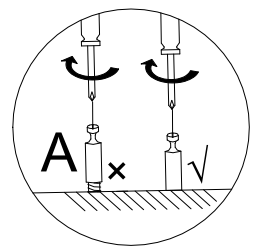
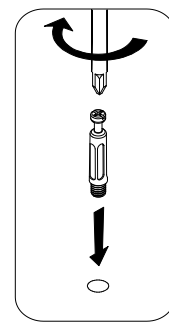
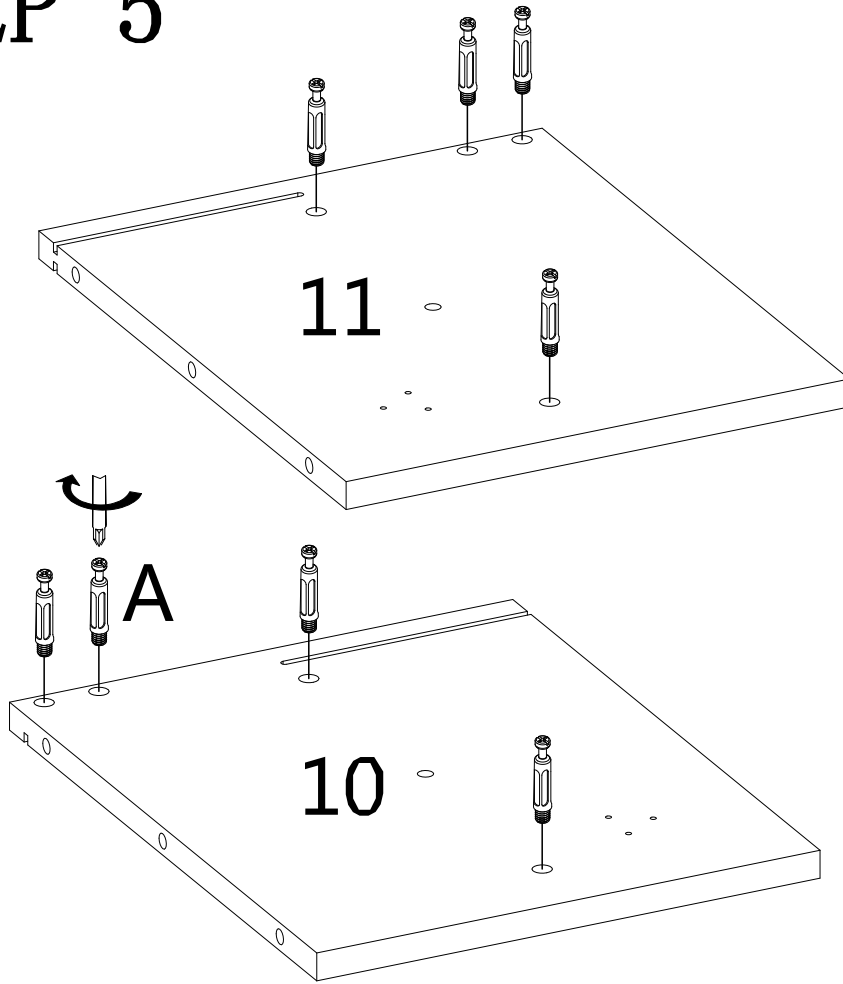
STEP 4

Remove the protective film from the hardware M1



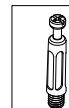
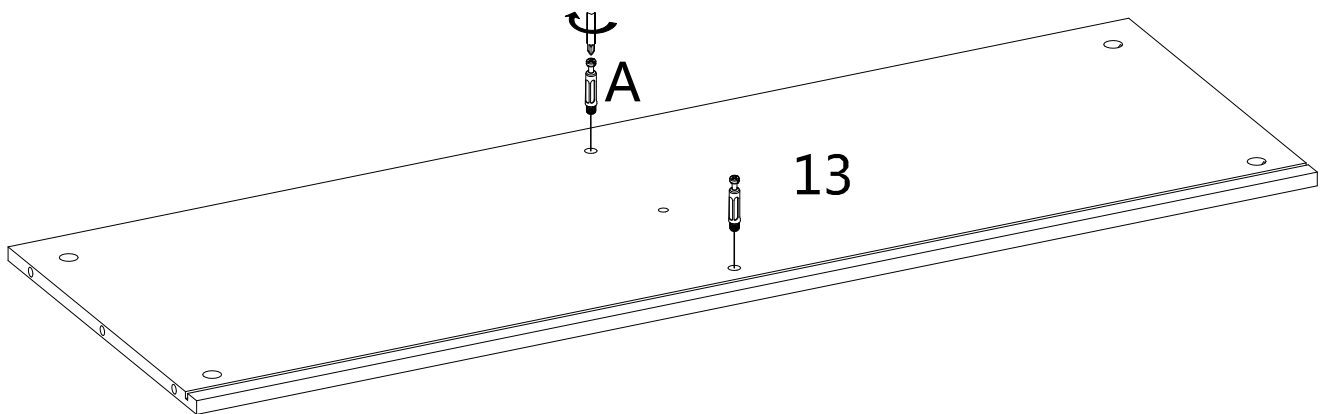
	A × 11PCS
 M1*1  M2*1  M3*6  M4*6	M × 1PC

STEP 5



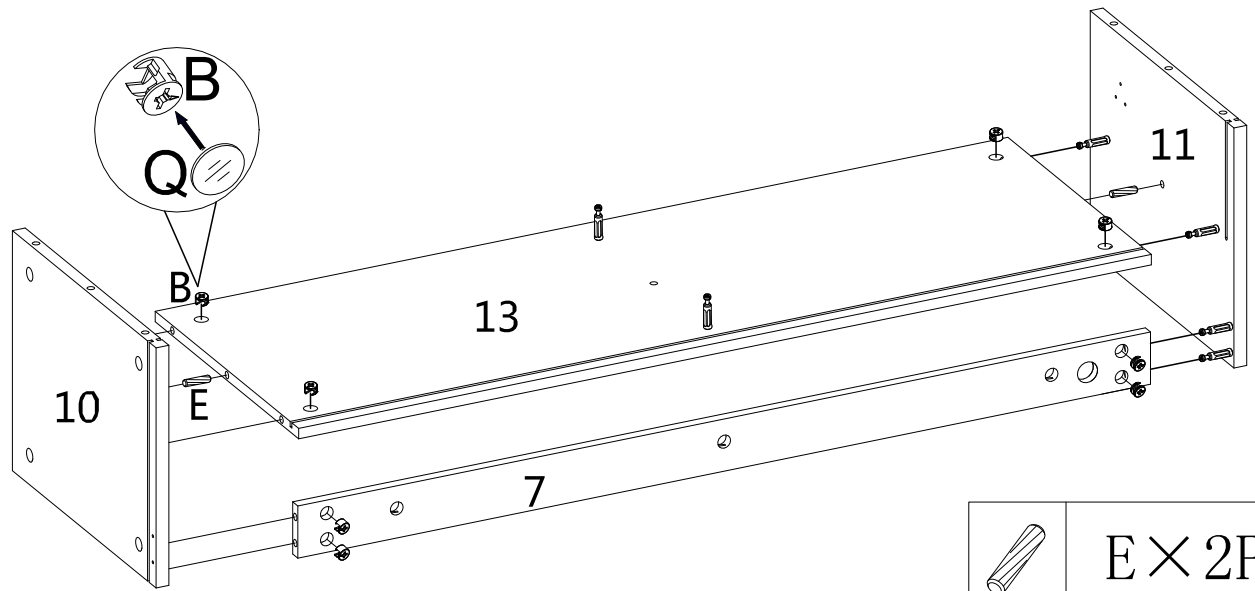
A × 8PCS




STEP 6



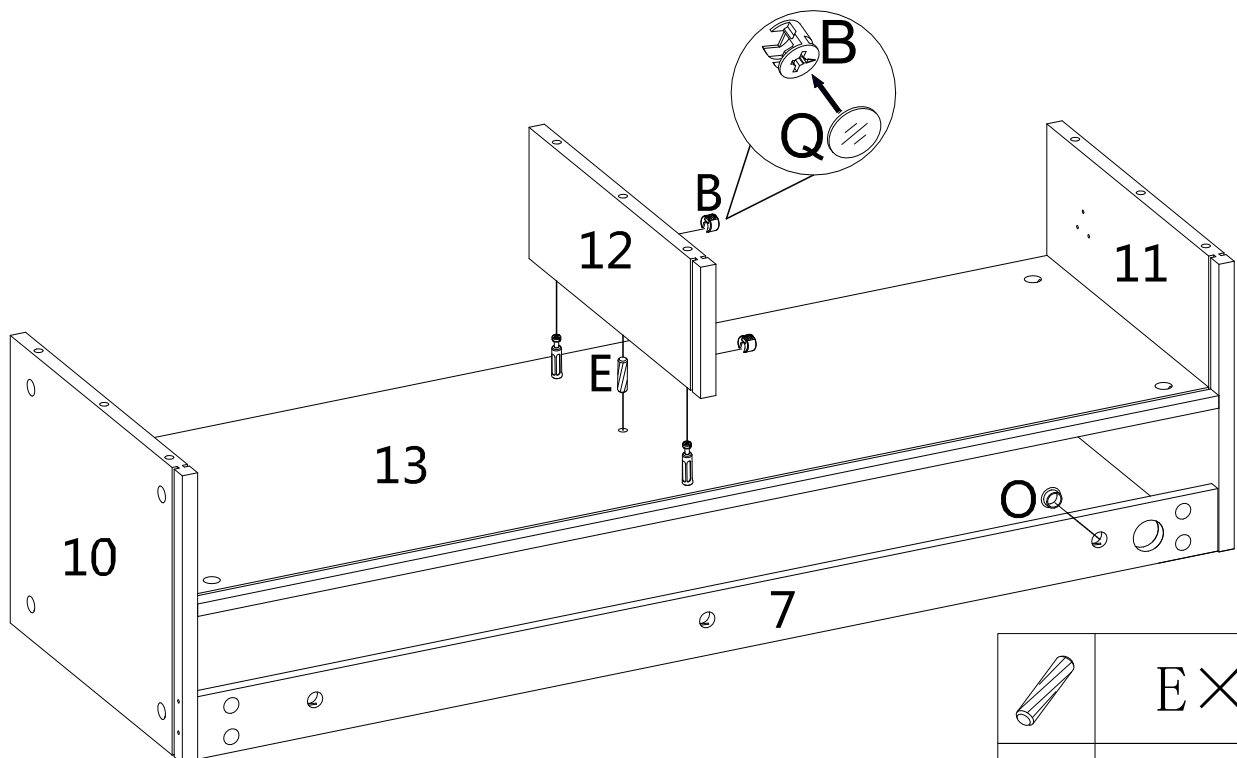
A × 2PCS




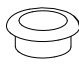
STEP 7



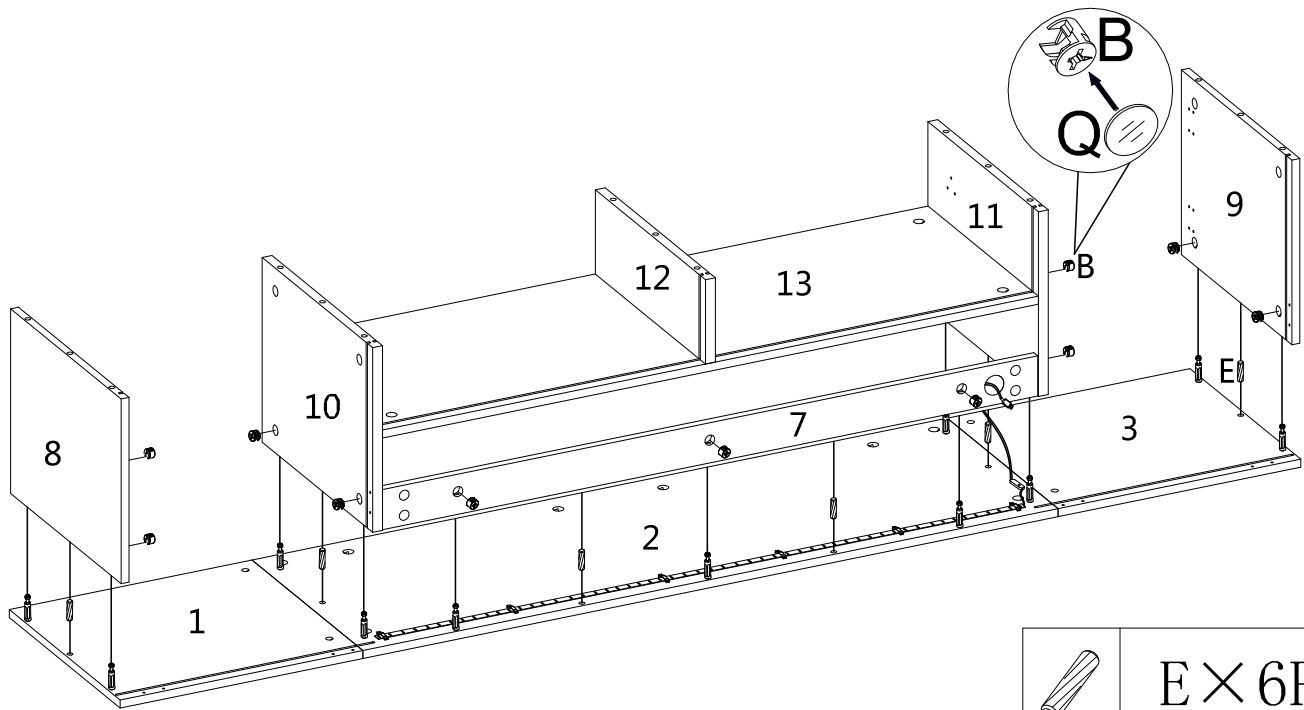
	E × 2PCS
	Q × 8PCS
	B × 8PCS




STEP 8



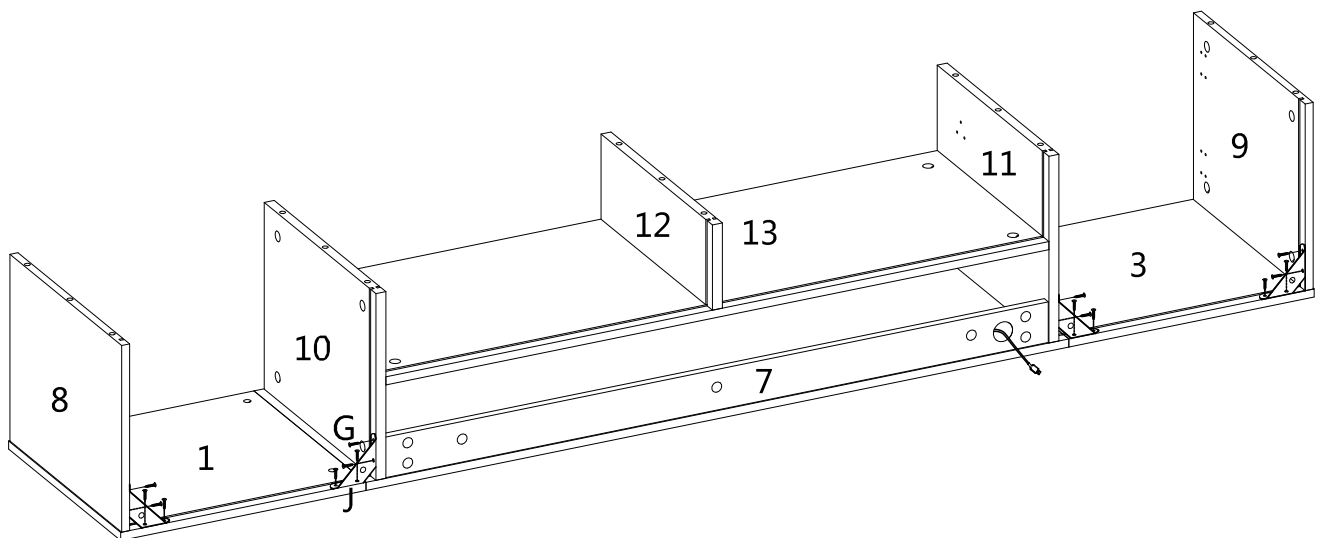
	E × 1PC
	Q × 2PCS
	B × 2PCS
	O × 1PC

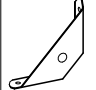
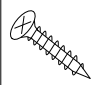
STEP 9



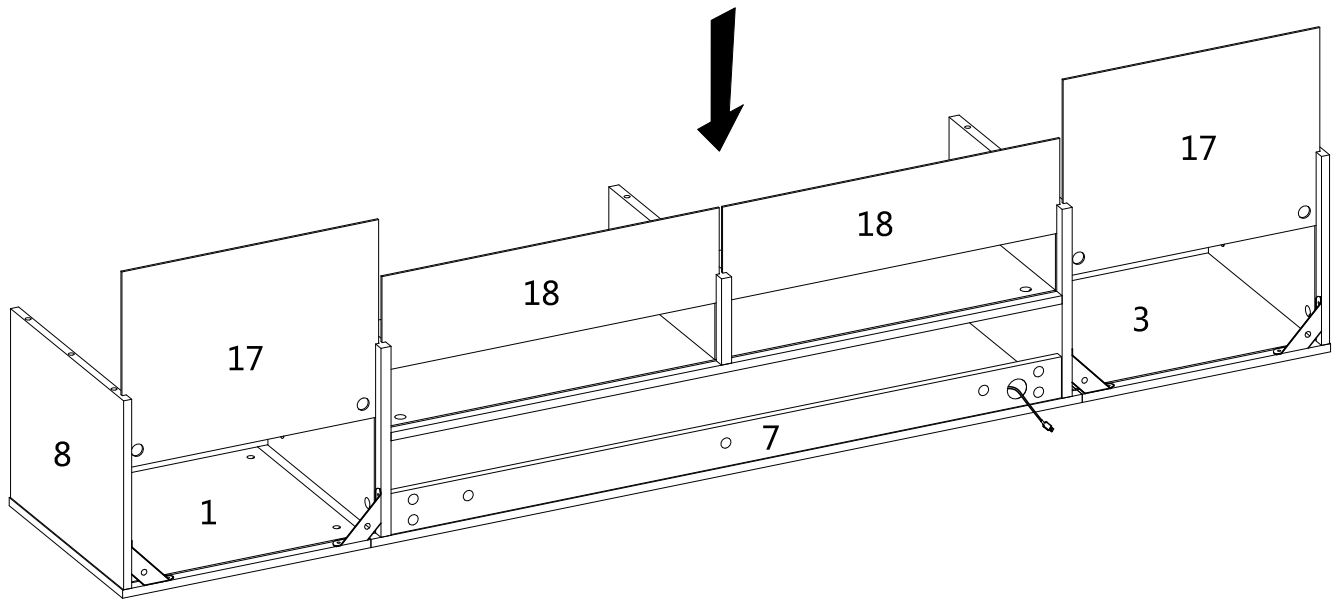
	E × 6PCS
	Q × 11PCS
	B × 11PCS

STEP 10

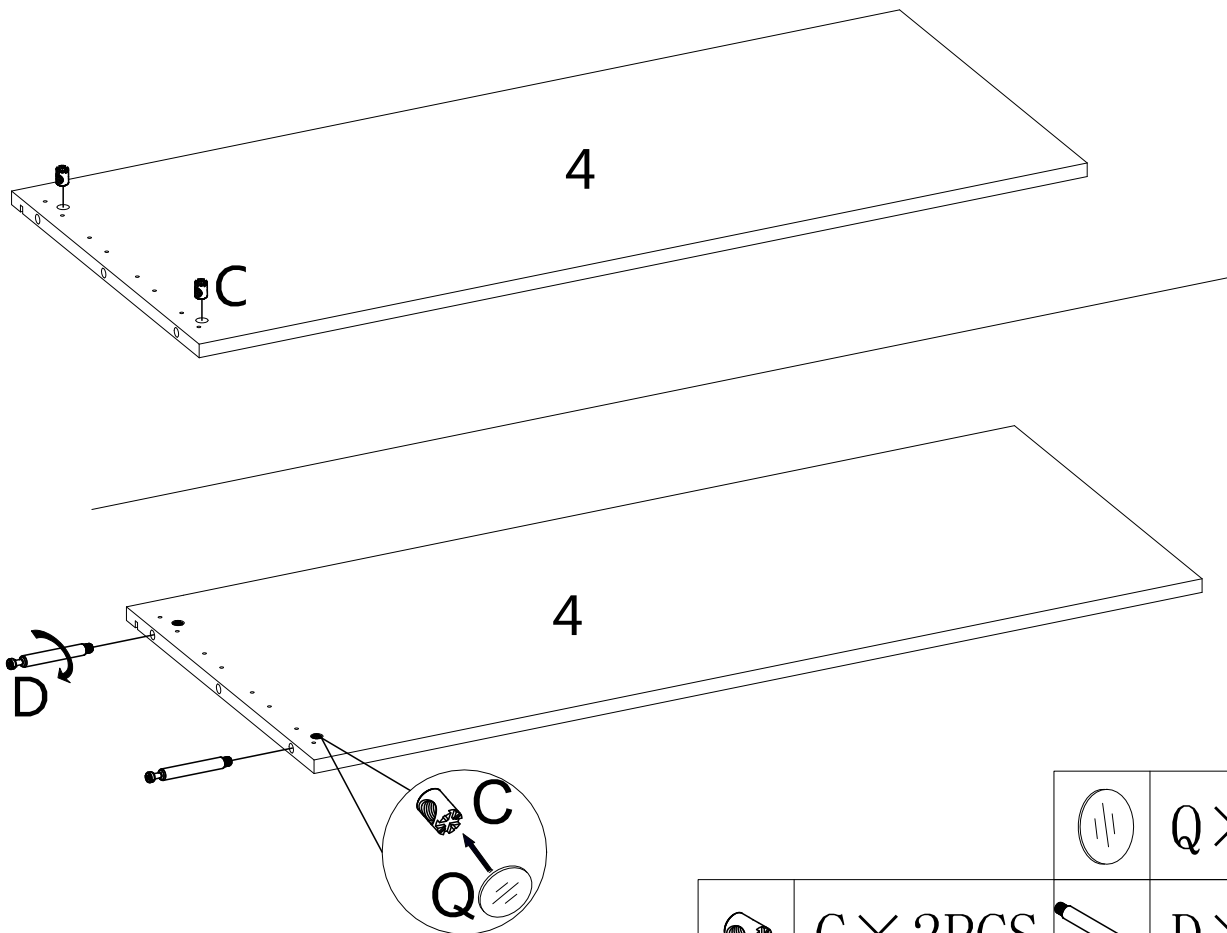




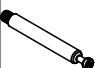
	J × 4PCS
	G × 16PCS

STEP 11

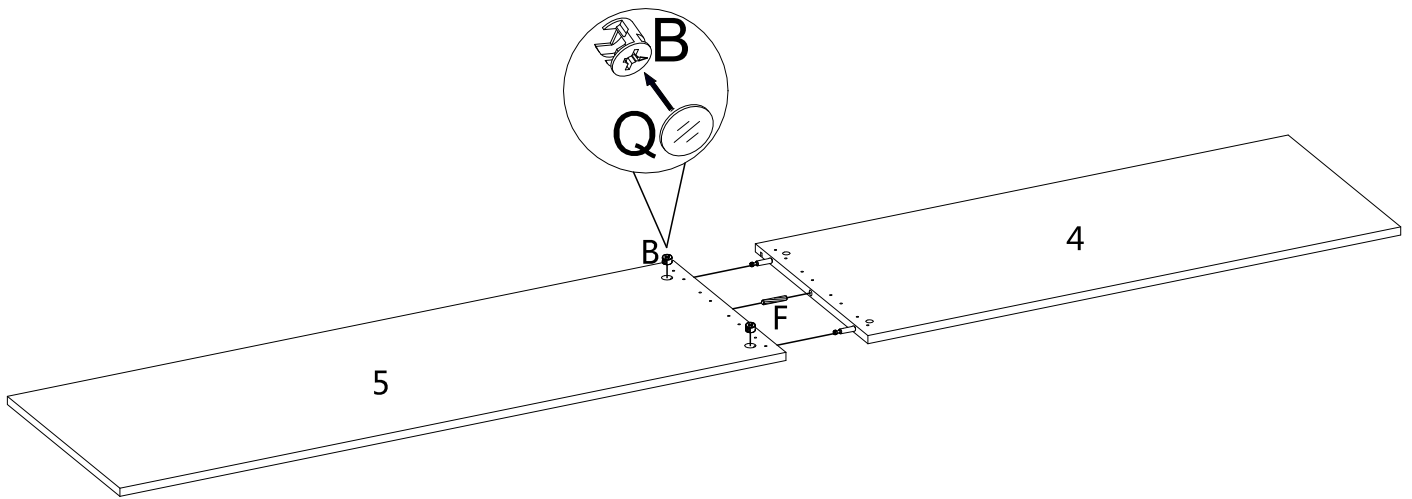





STEP 12



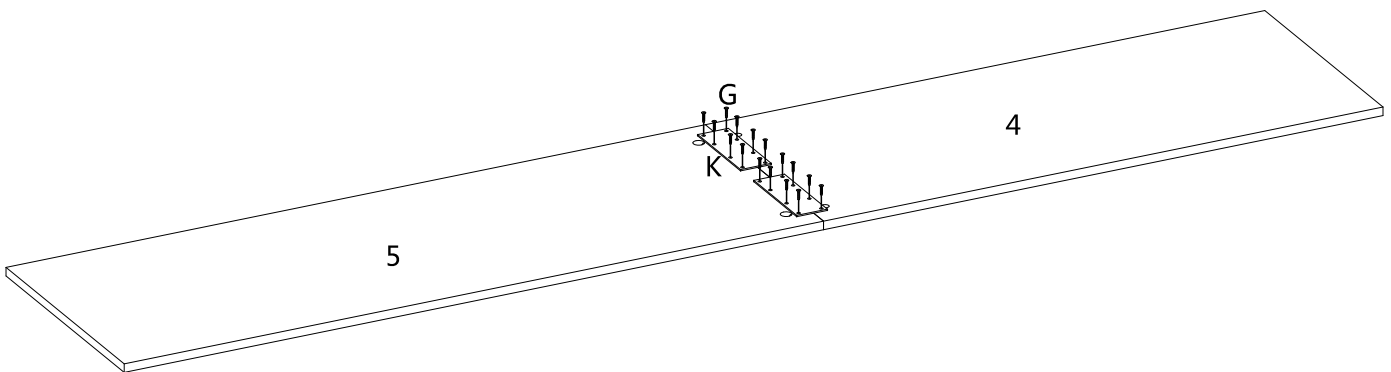
	C × 2PCS		Q × 2PCS
	D × 2PCS		



STEP 13



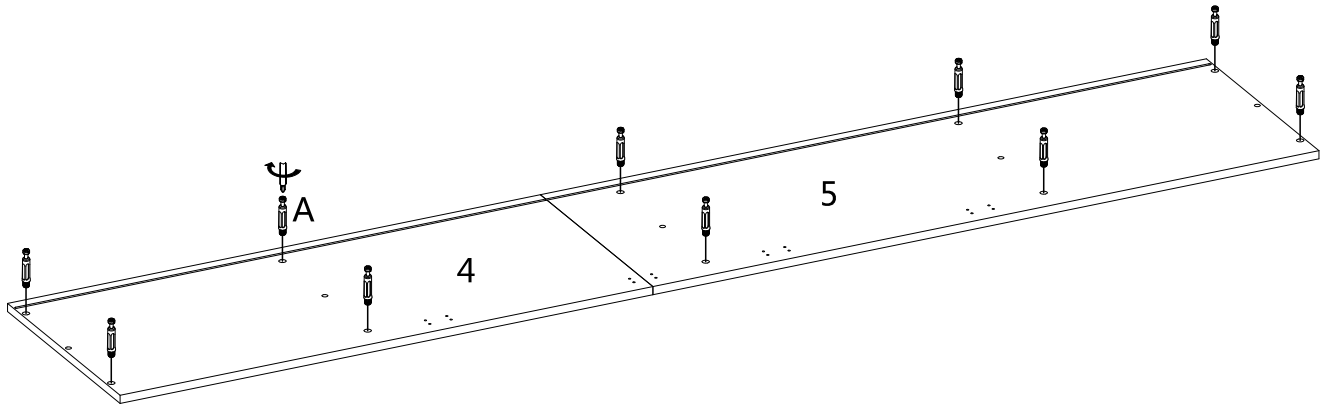
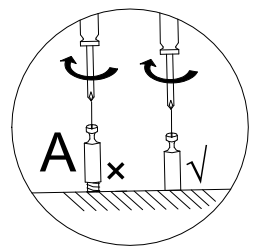
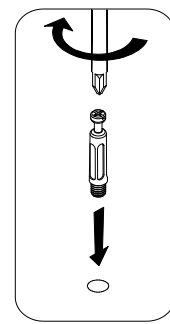
	F × 1PC
	Q × 2PCS
	B × 2PCS

STEP 14



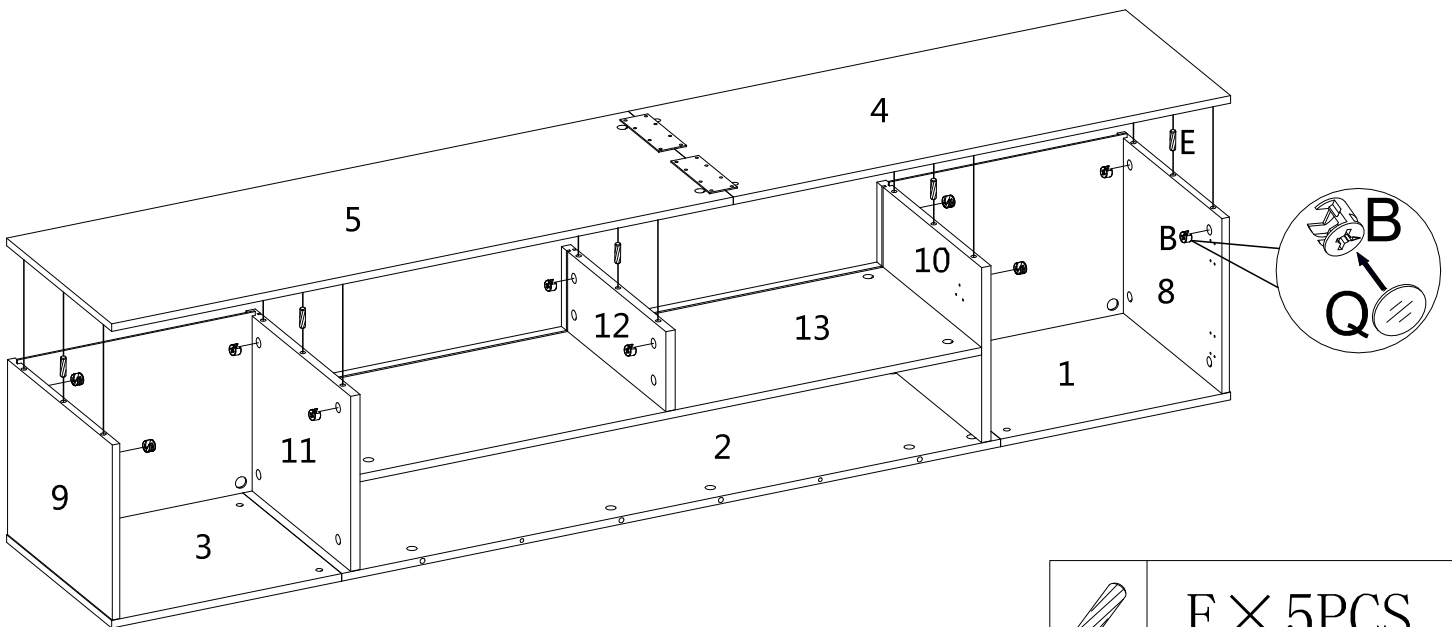
	K × 2PCS
	G × 16PCS

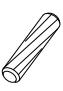


STEP 15



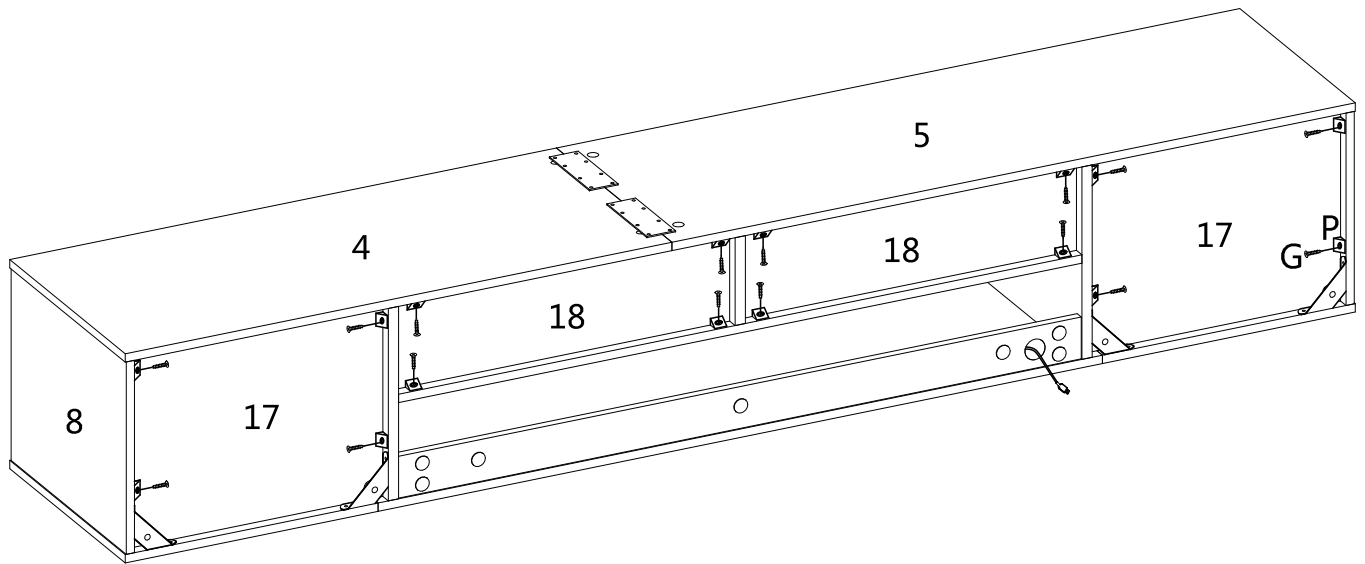
	A × 10PCS
---	-----------



STEP 16



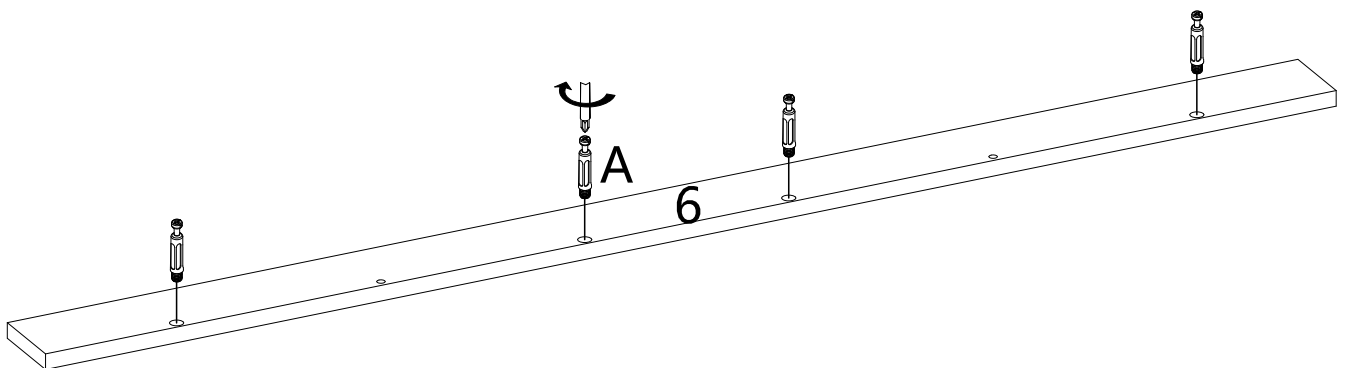
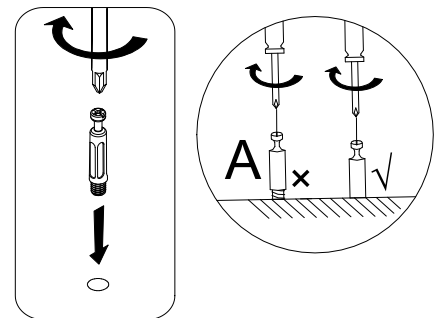
	E × 5PCS
	Q × 10PCS
	B × 10PCS


STEP 17



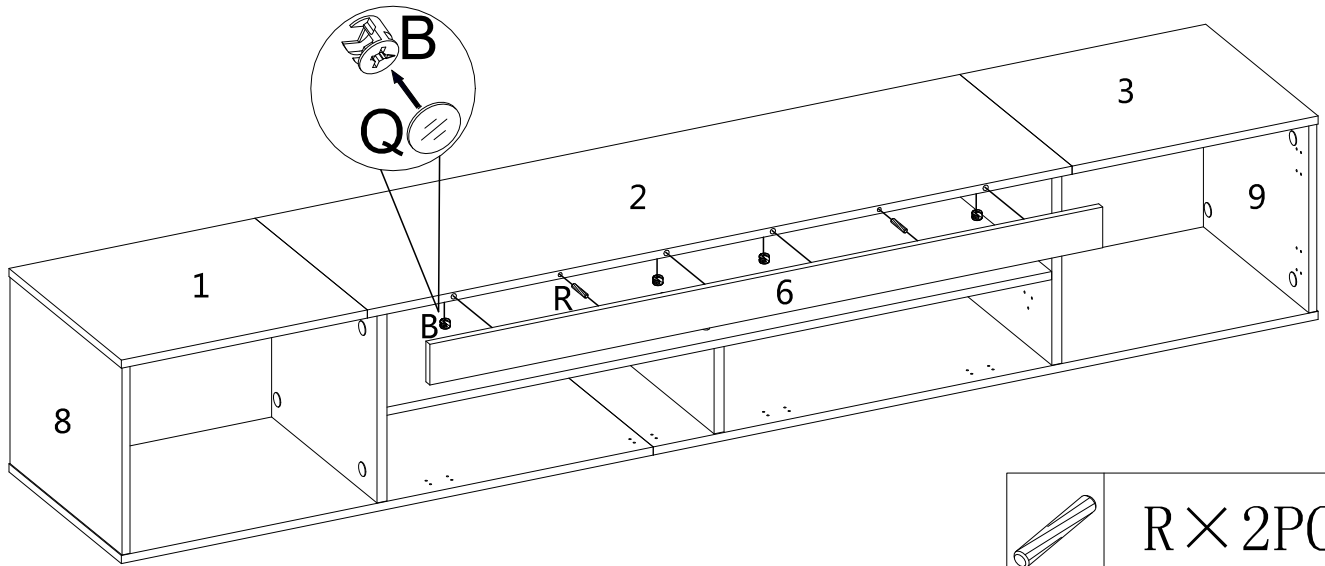
	P × 16PCS
	G × 16PCS

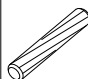


STEP 18



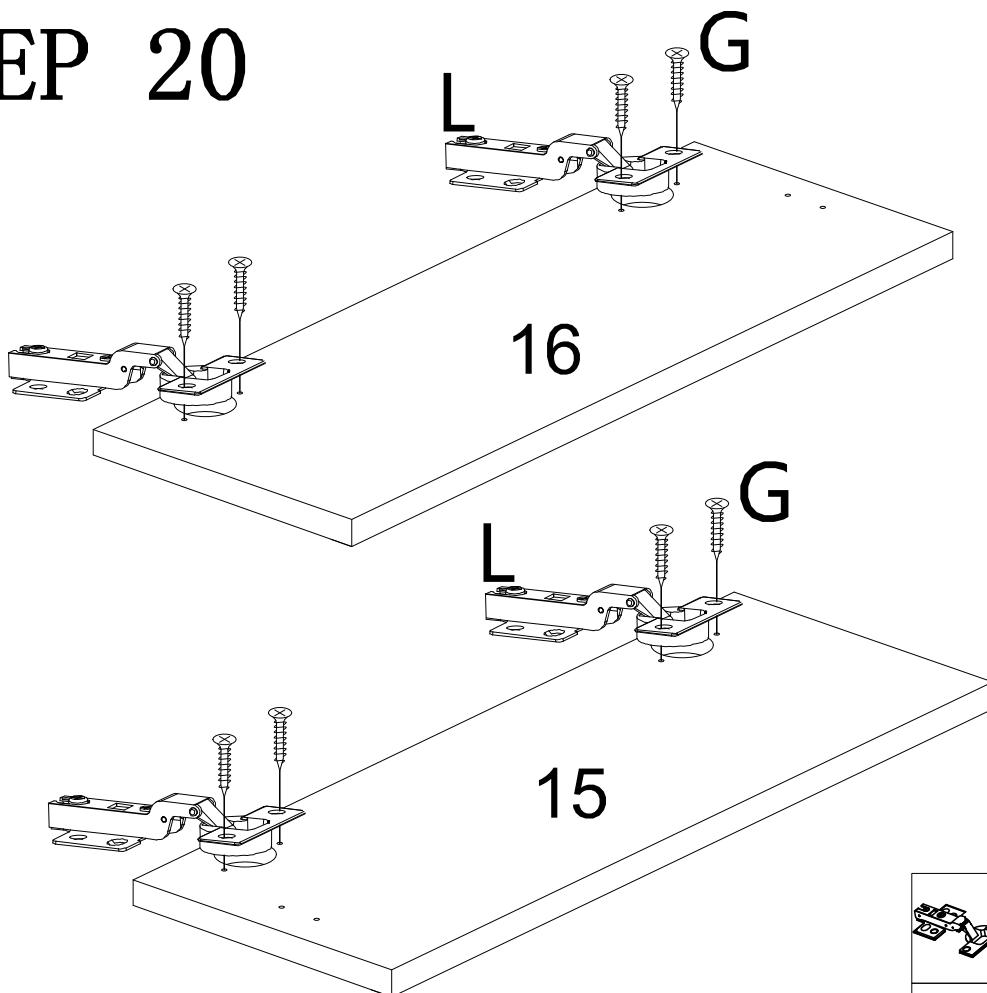
	A × 4PCS
---	----------

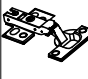

STEP 19



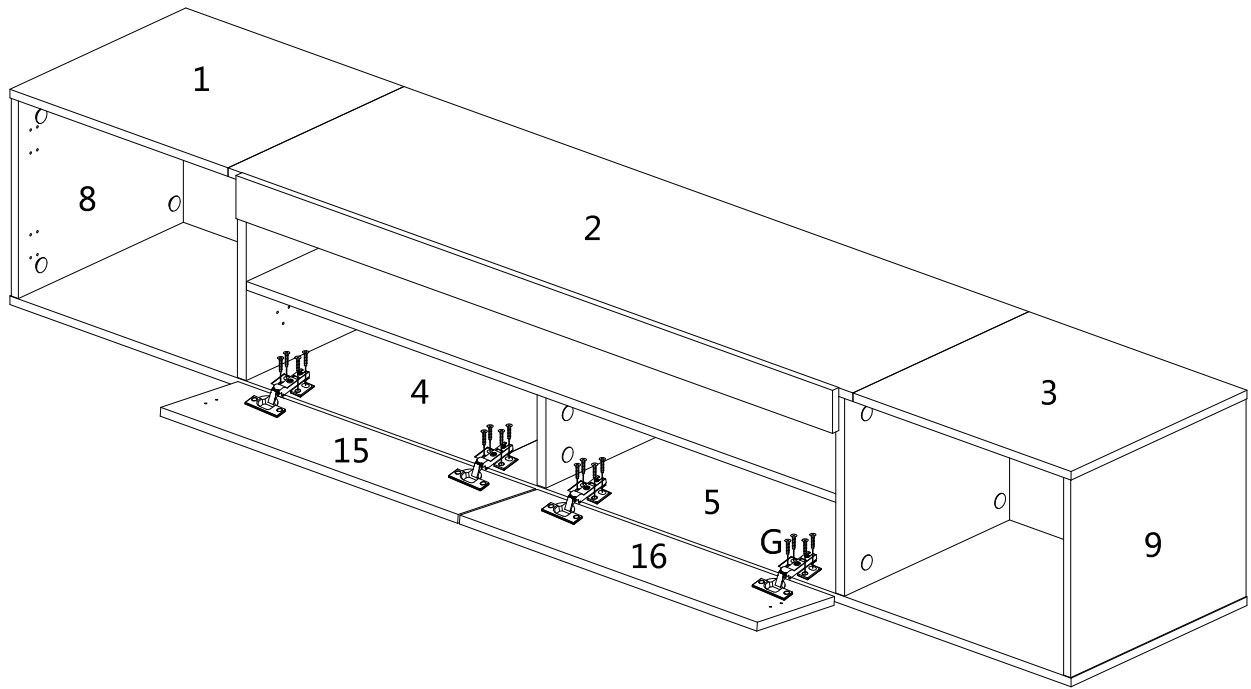
	R × 2PCS
	Q × 4PCS
	B × 4PCS

STEP 20



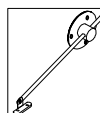
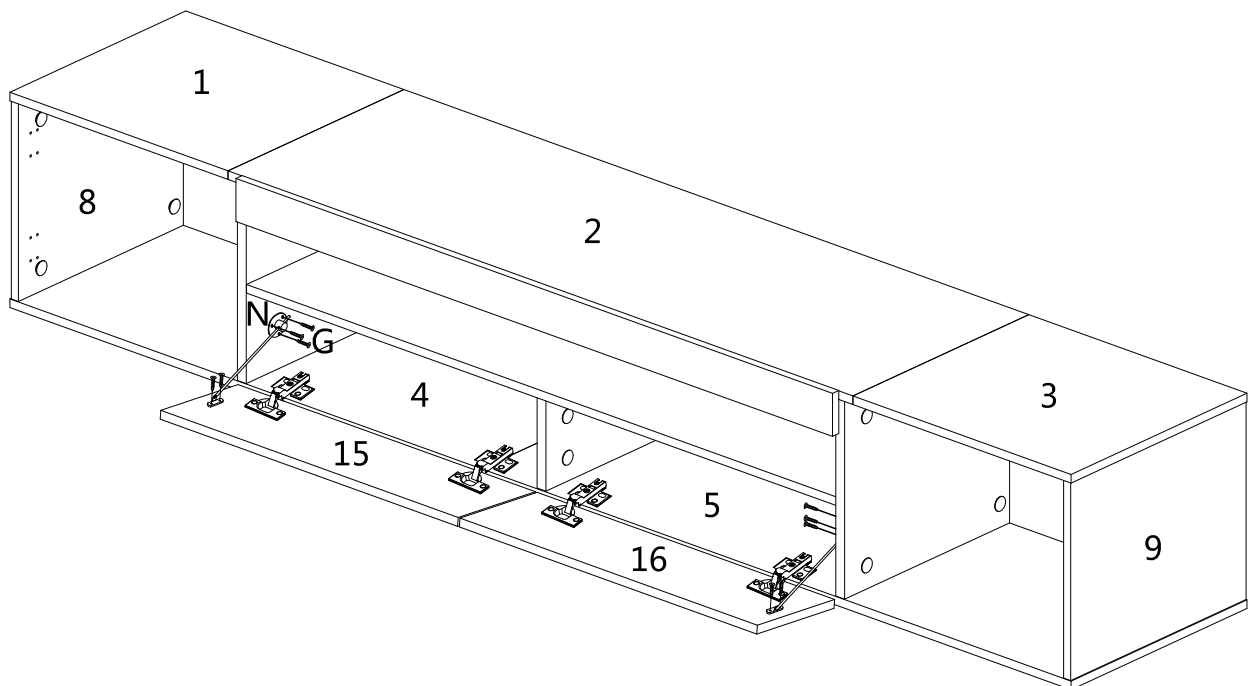
	L × 4PCS
	G × 8PCS

STEP 21



G × 16PCS

STEP 22

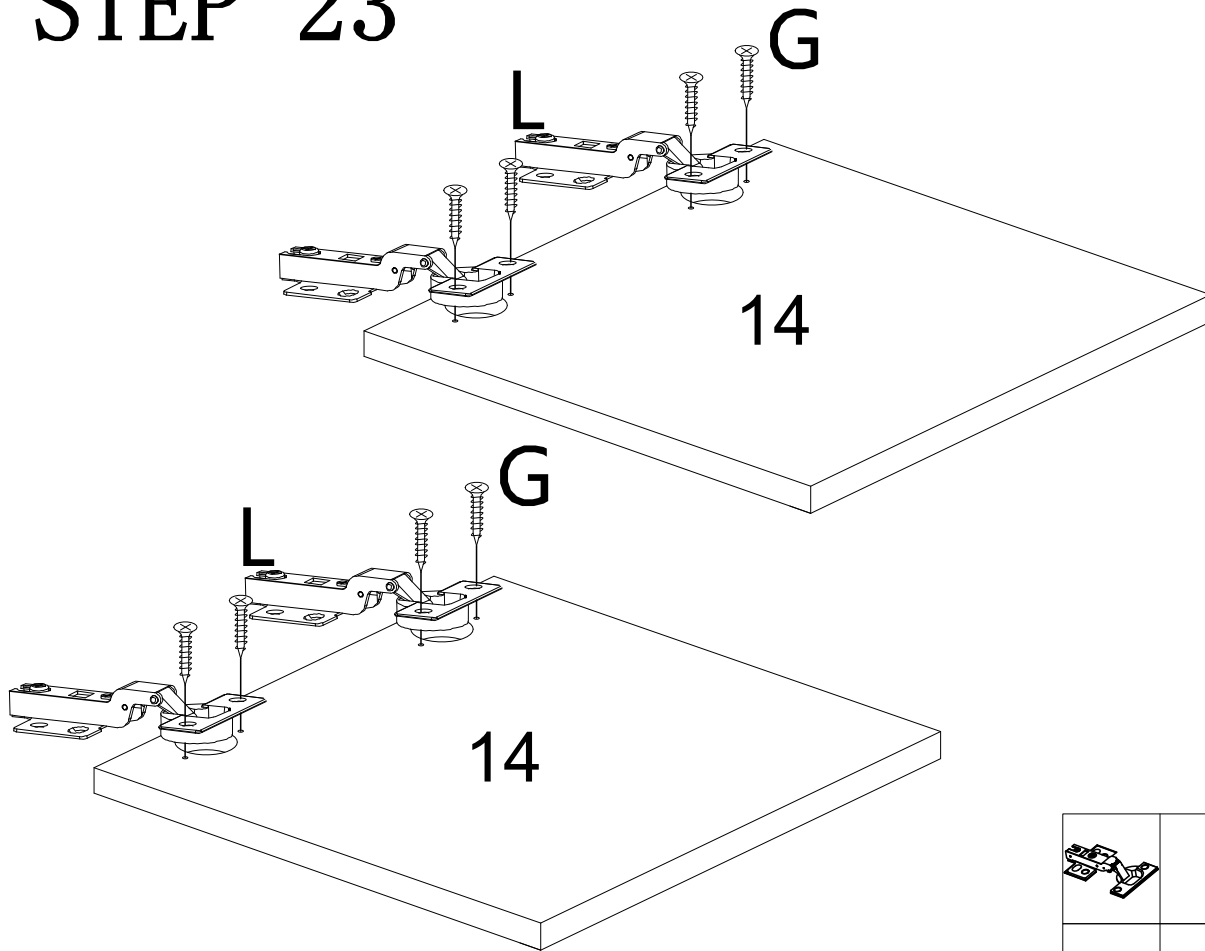




N × 2PCS



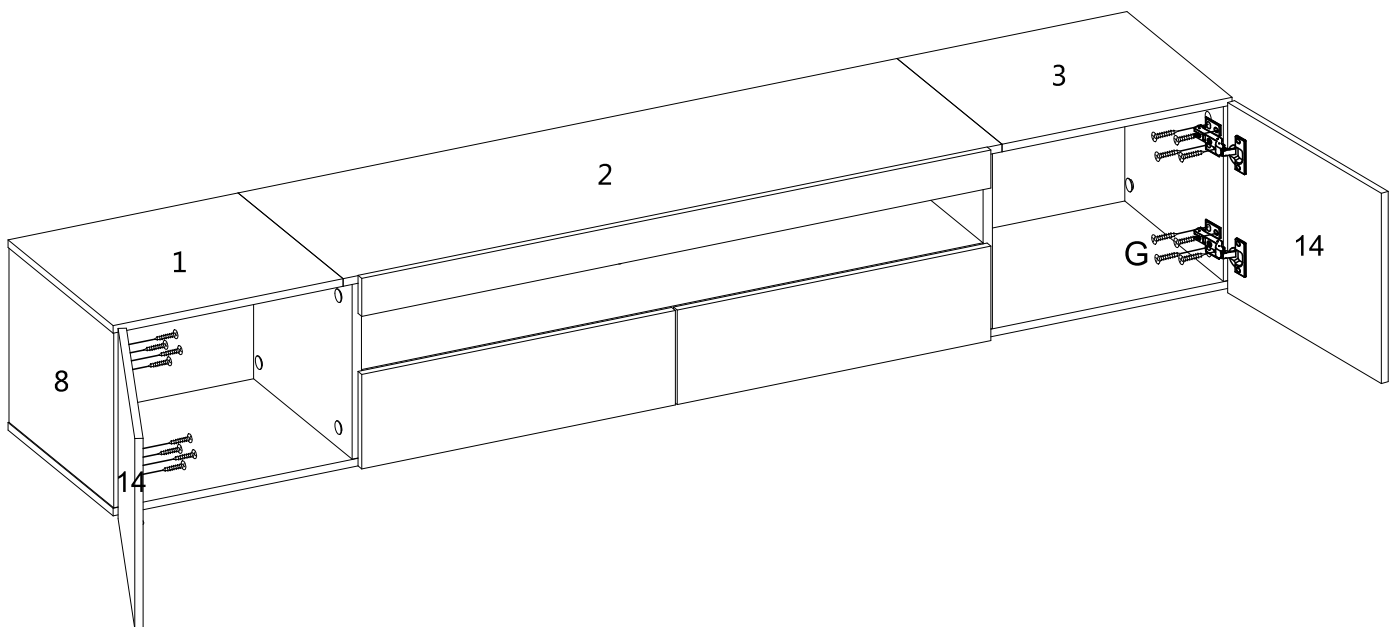
G × 10PCS

STEP 23



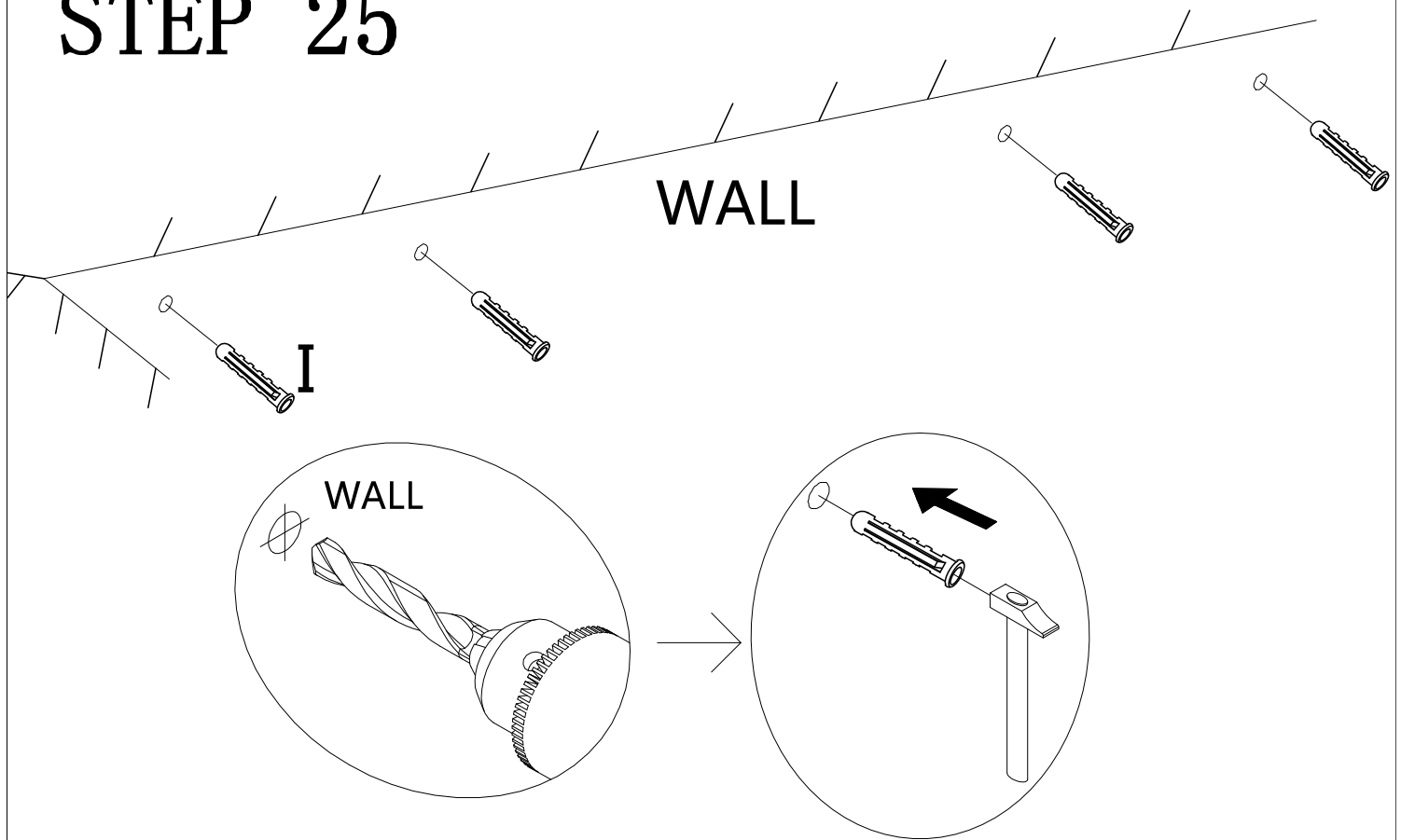
	L × 4PCS
	G × 8PCS

STEP 24



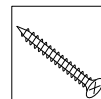
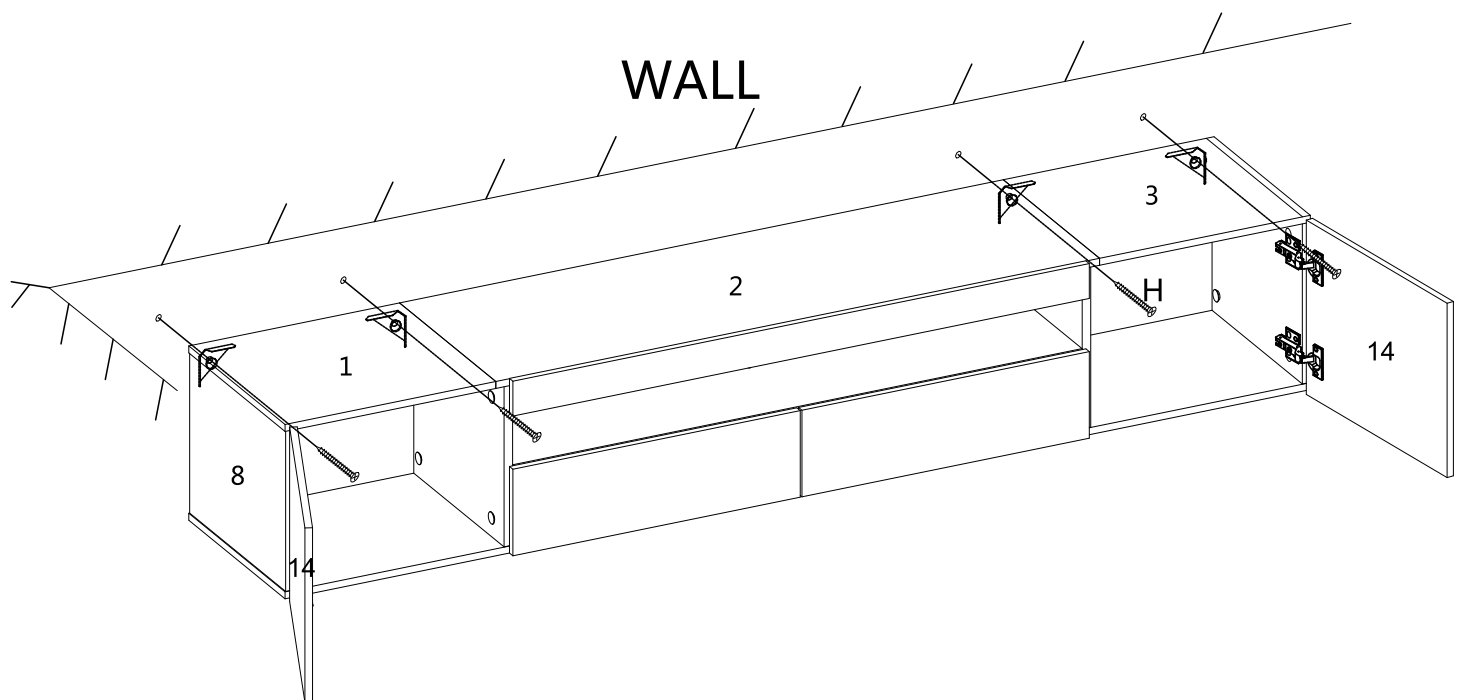
	G × 16PCS
---	-----------

STEP 25



I × 4PCS

STEP 26



H × 4PCS