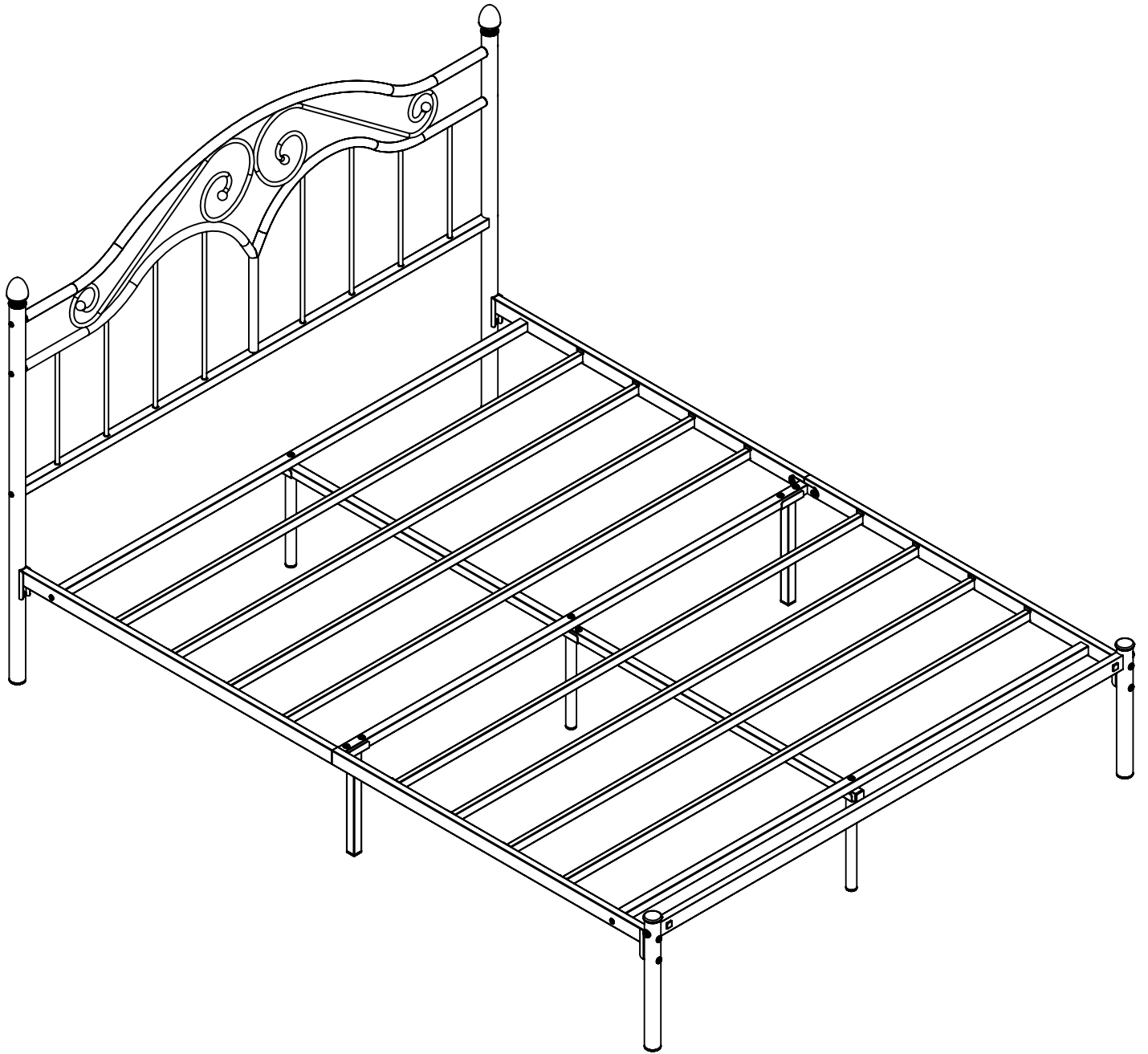
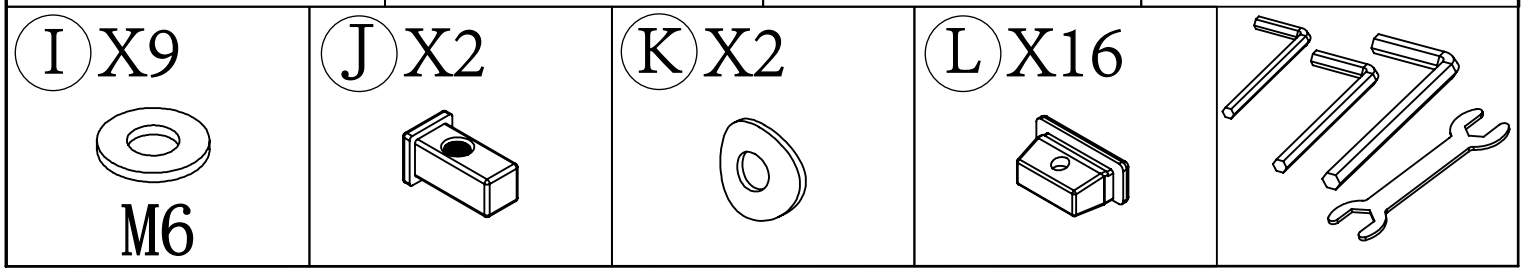
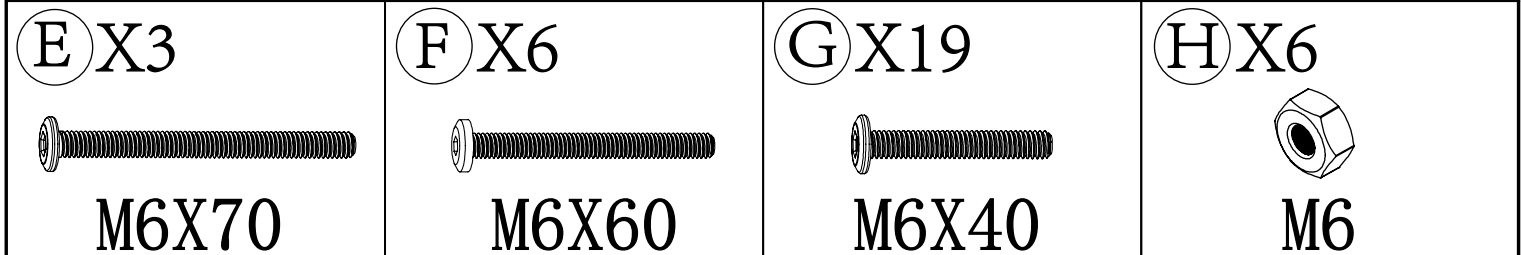
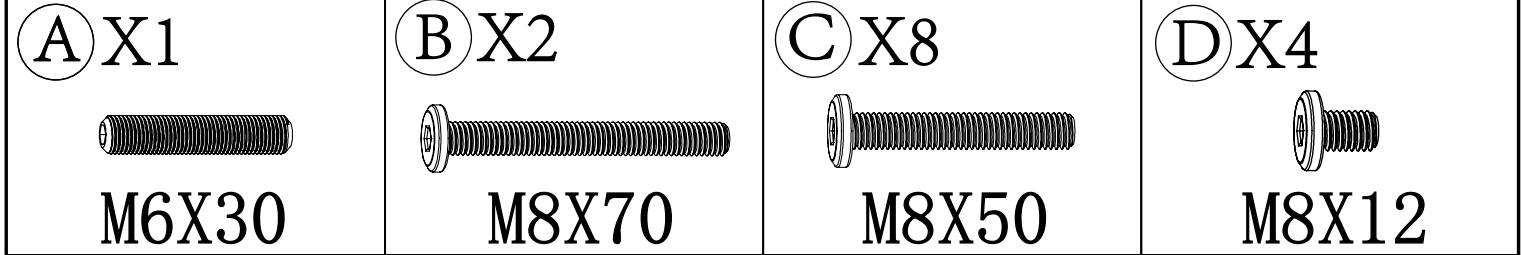
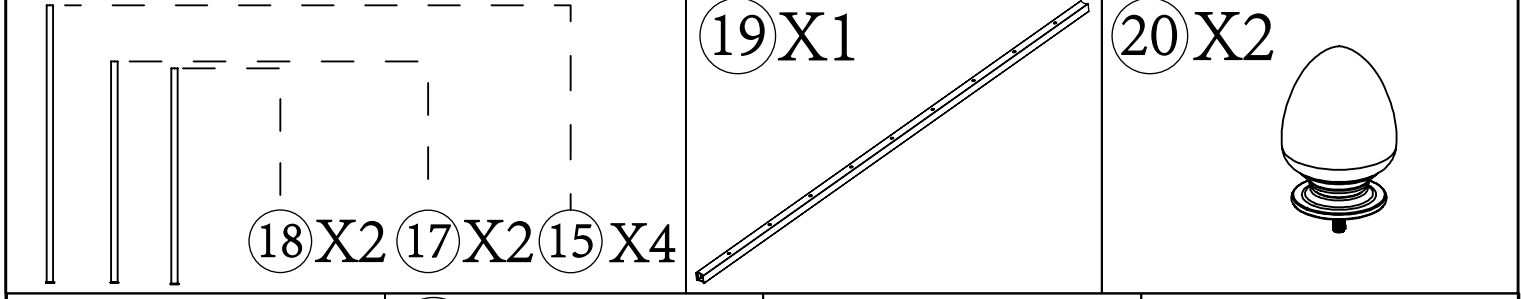
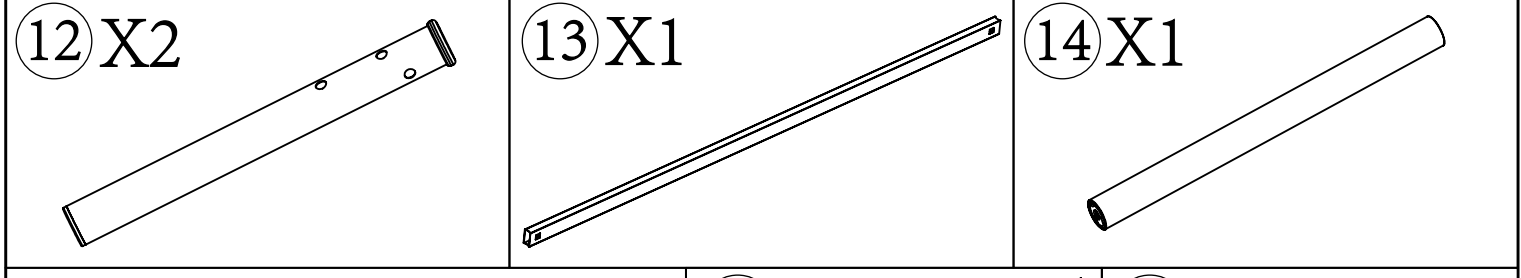
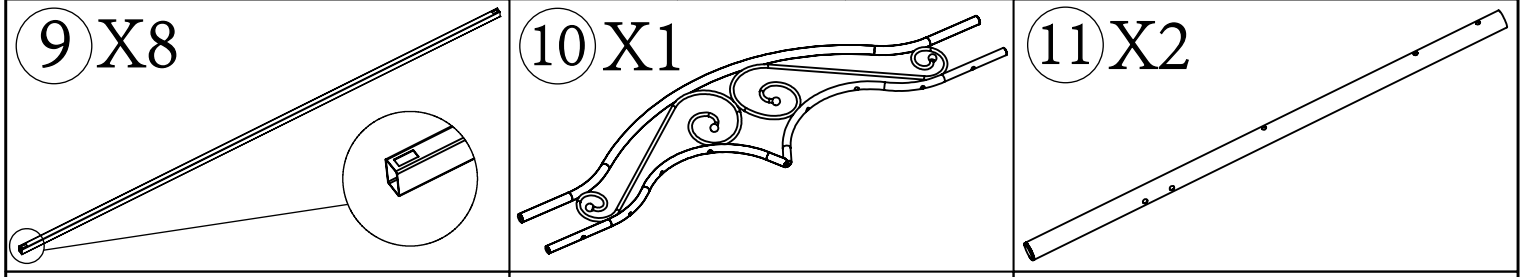
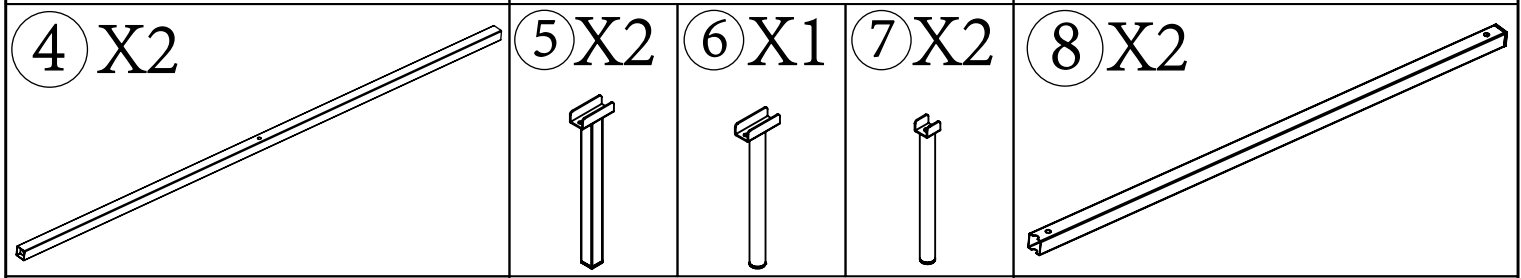
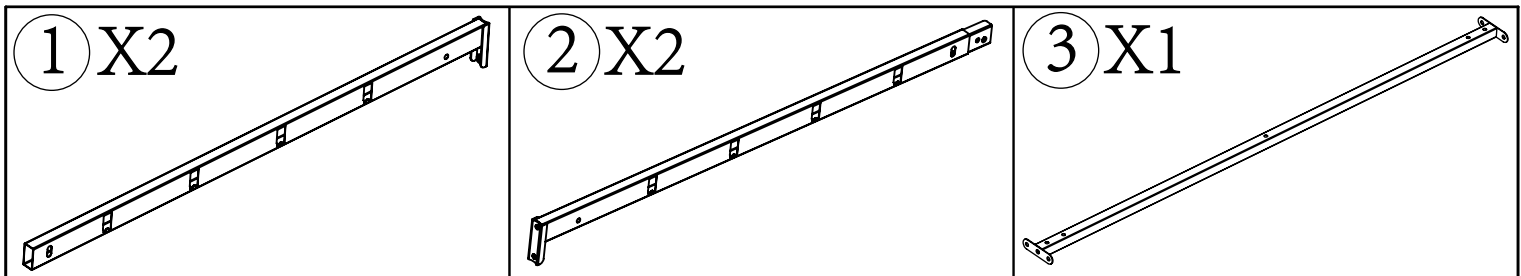
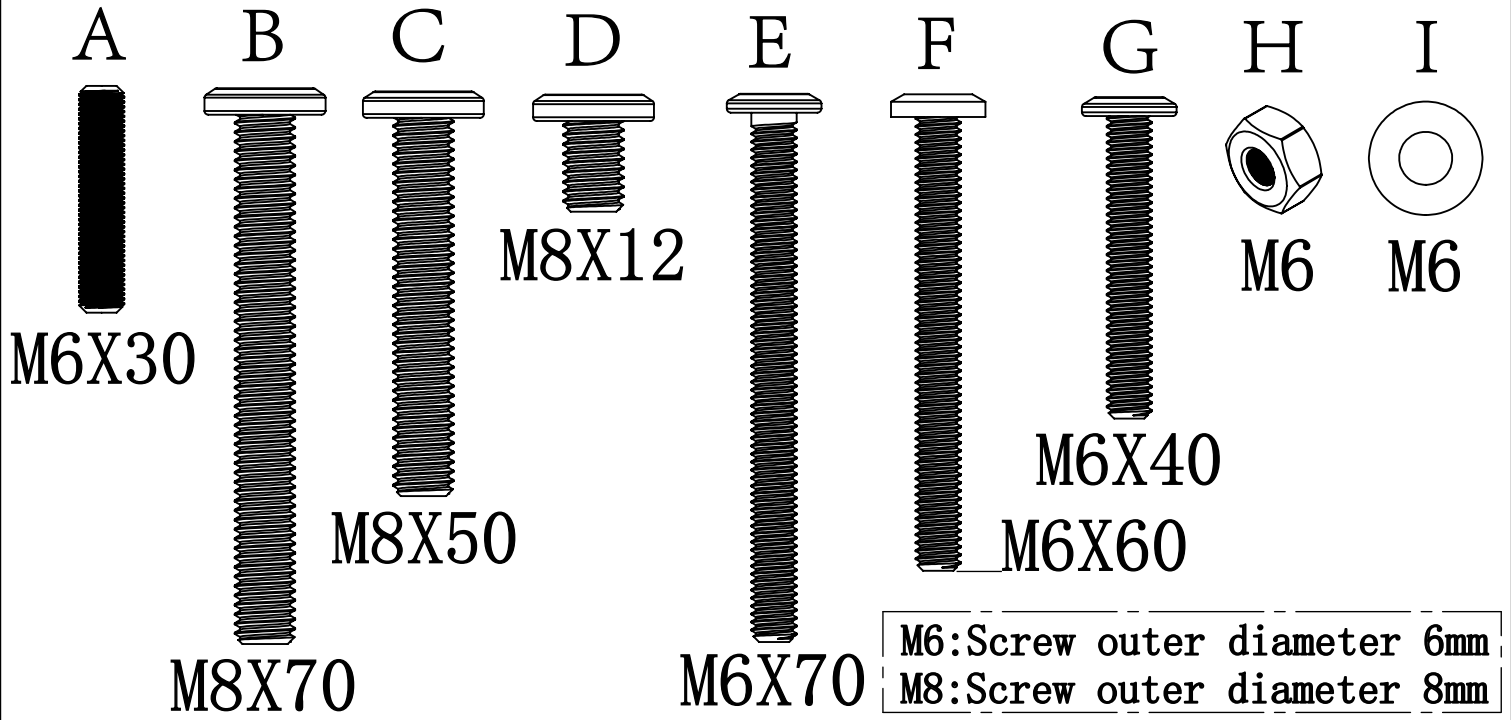


Queen

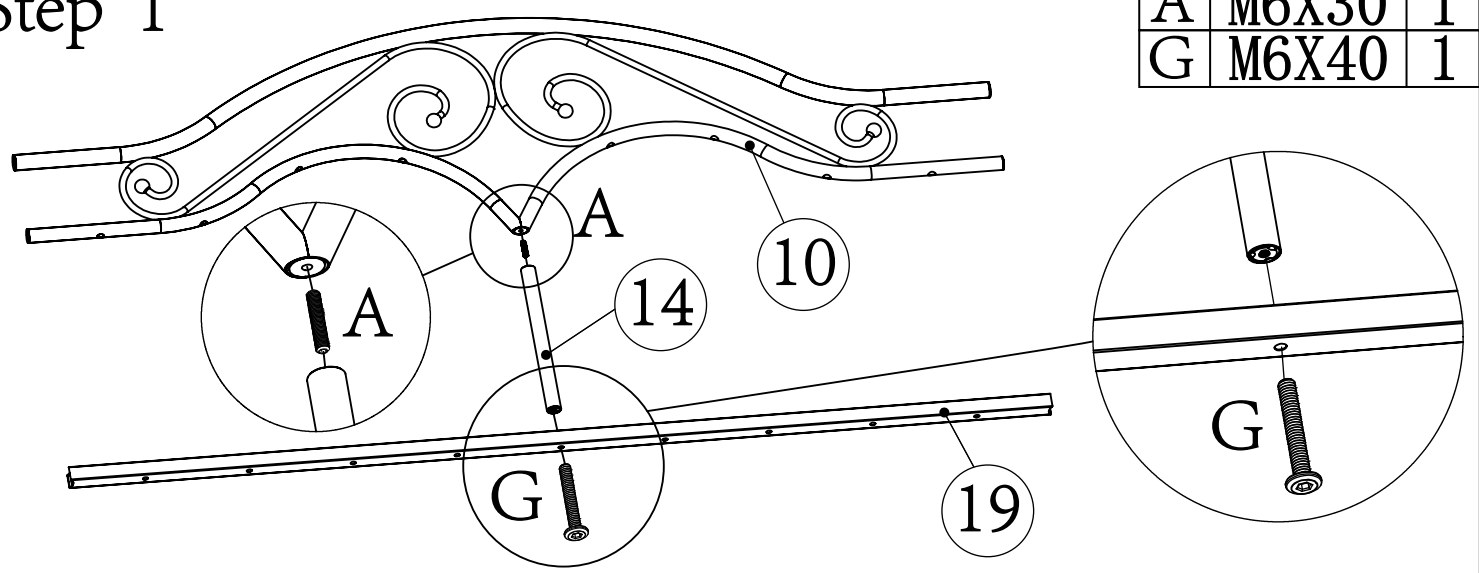




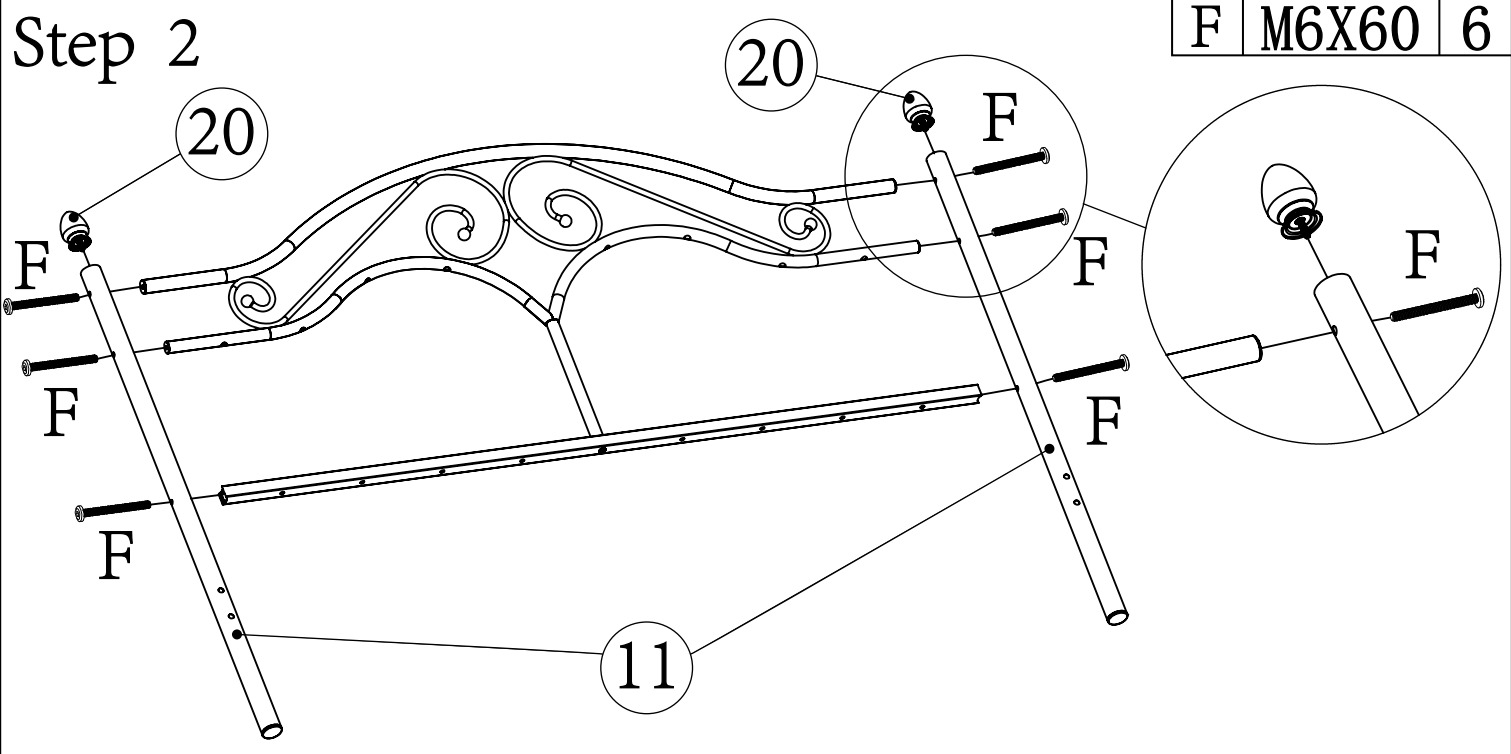
Difference screws display(1:1)



Step 1

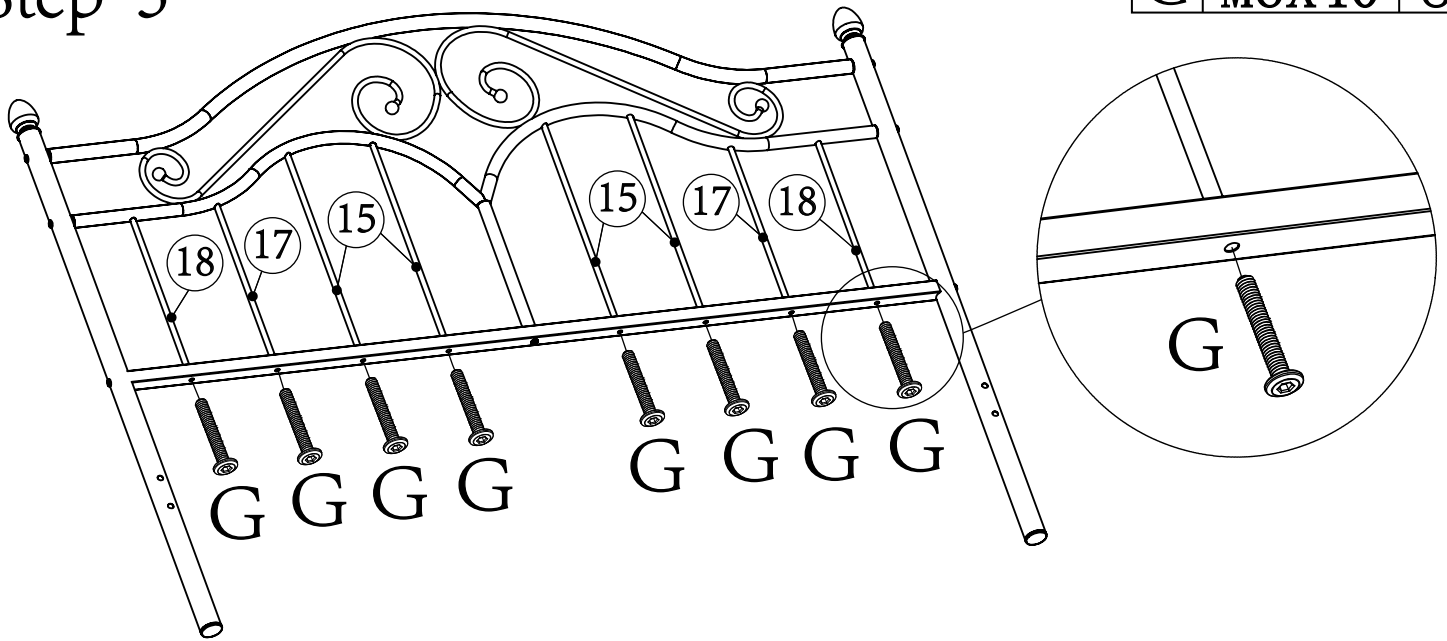


Step 2





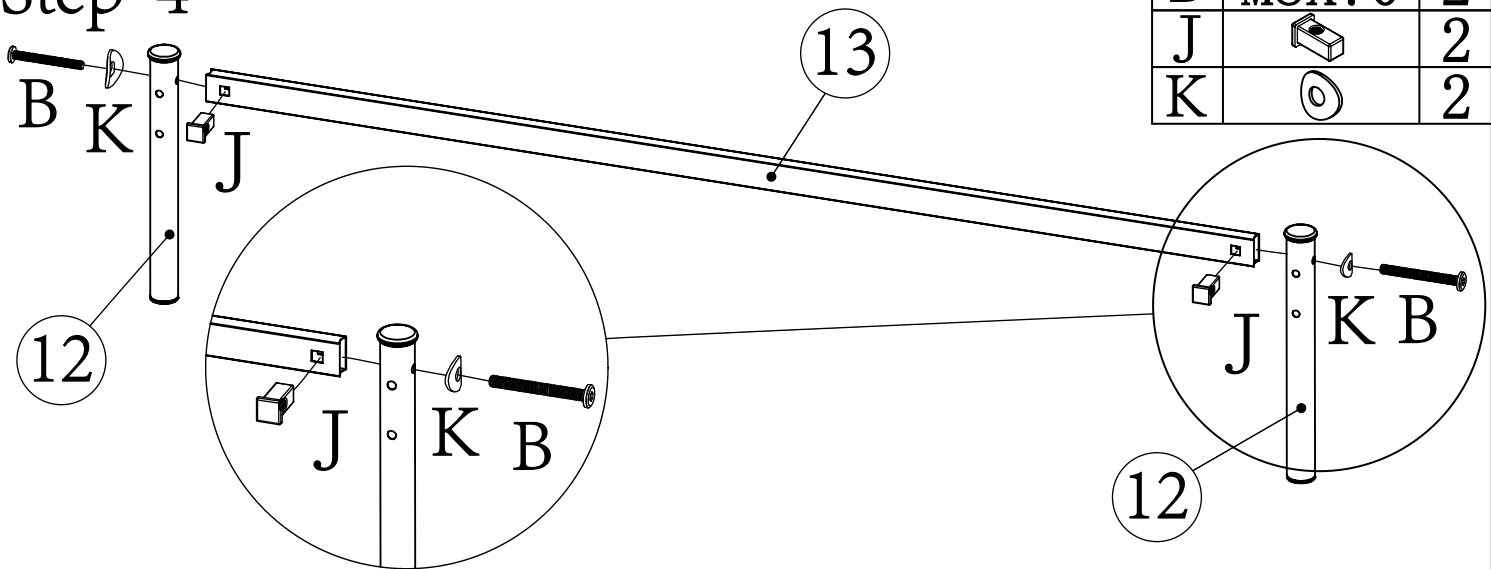
Step 3

G	M6X40	8
---	-------	---



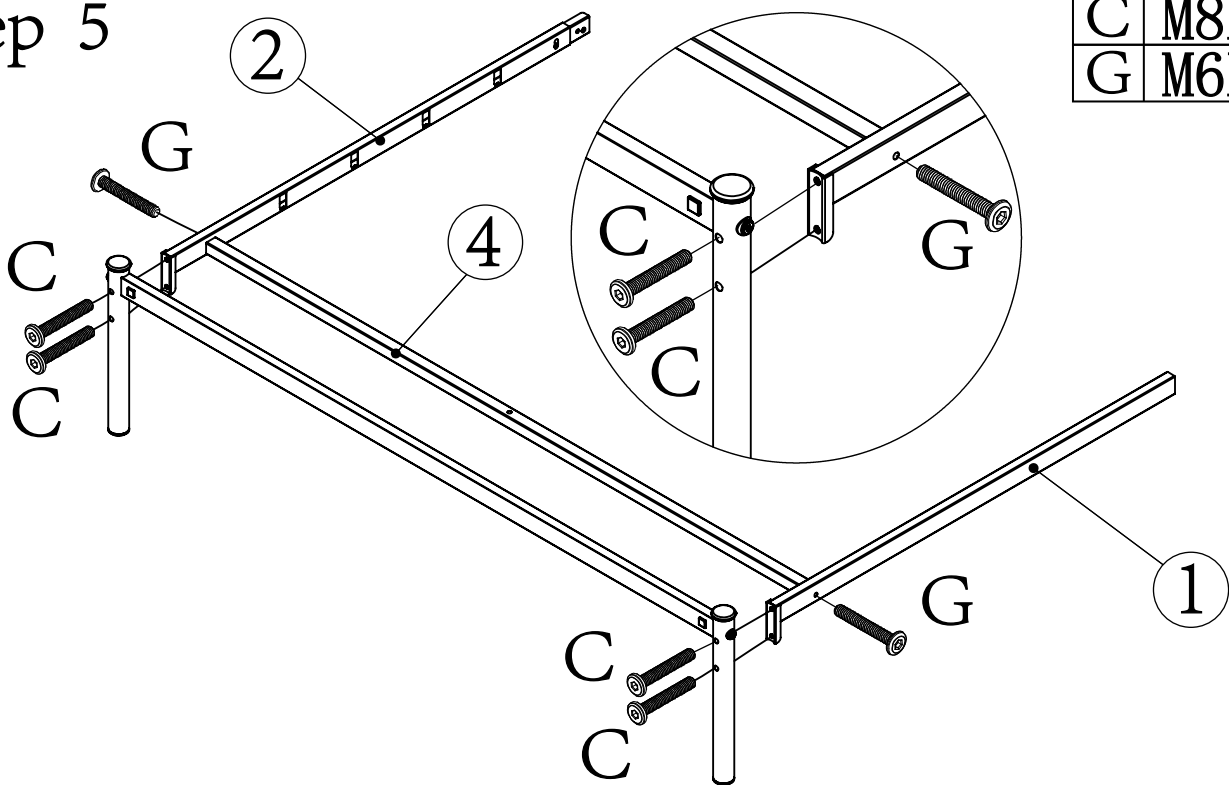
Step 4

B	M8X70	2
J		2
K		2



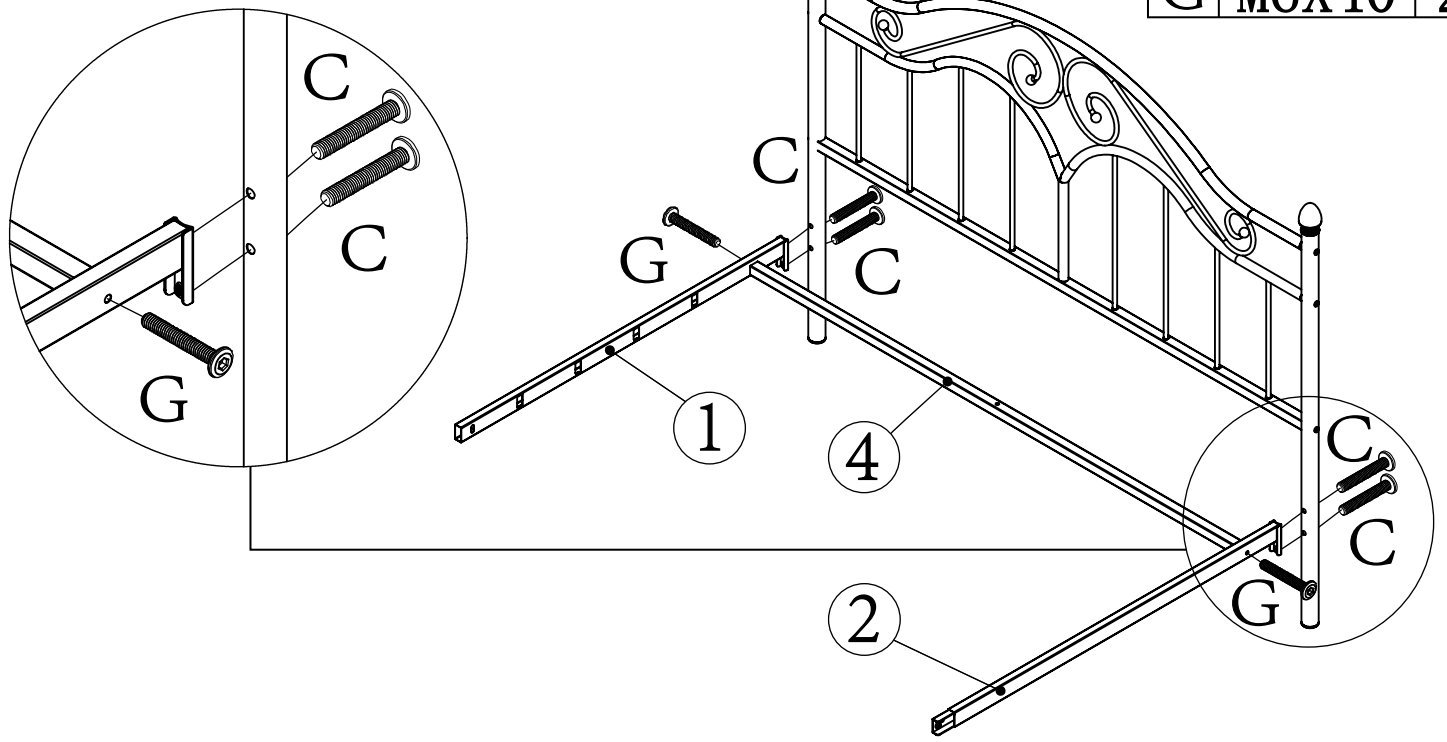
Step 5

C	M8X50	4
G	M6X40	2



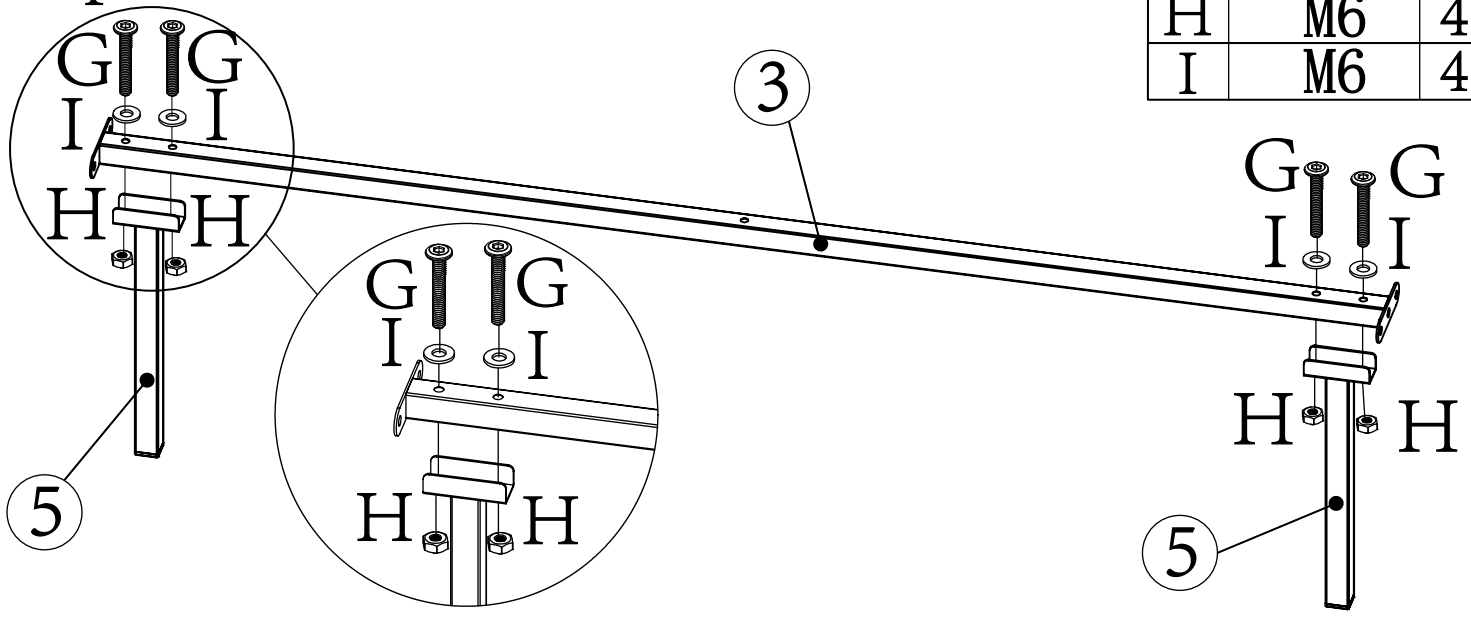
Step 6

C	M8X50	4
G	M6X40	2



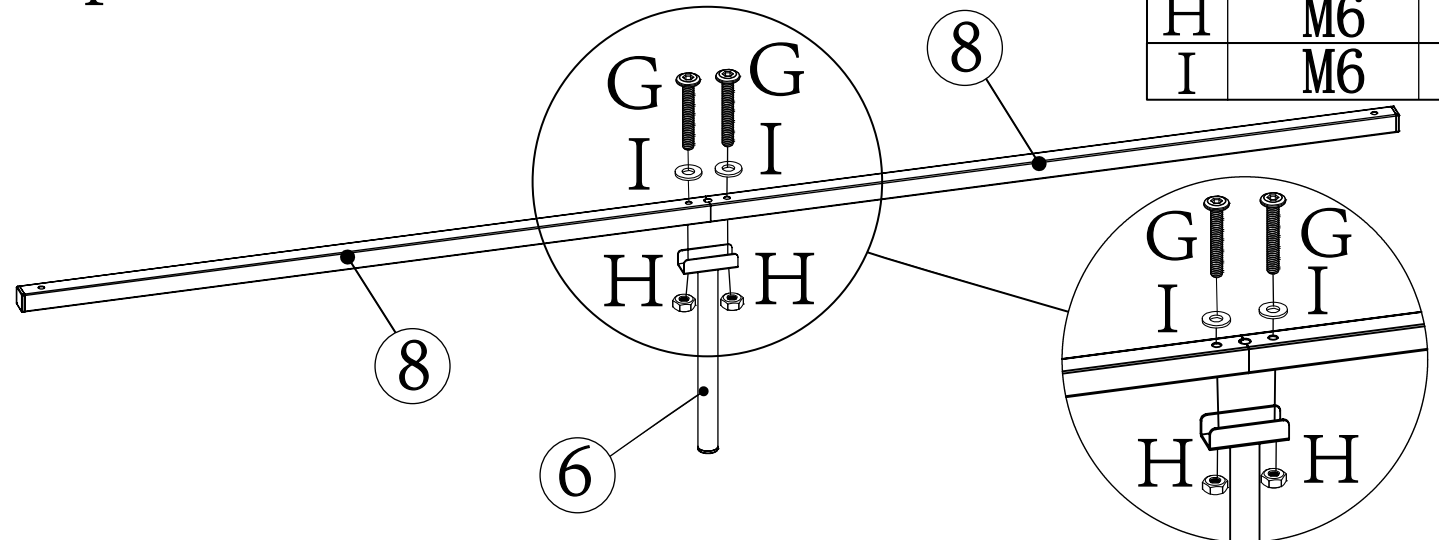
Step 7

G	M6X40	4
H	M6	4
I	M6	4



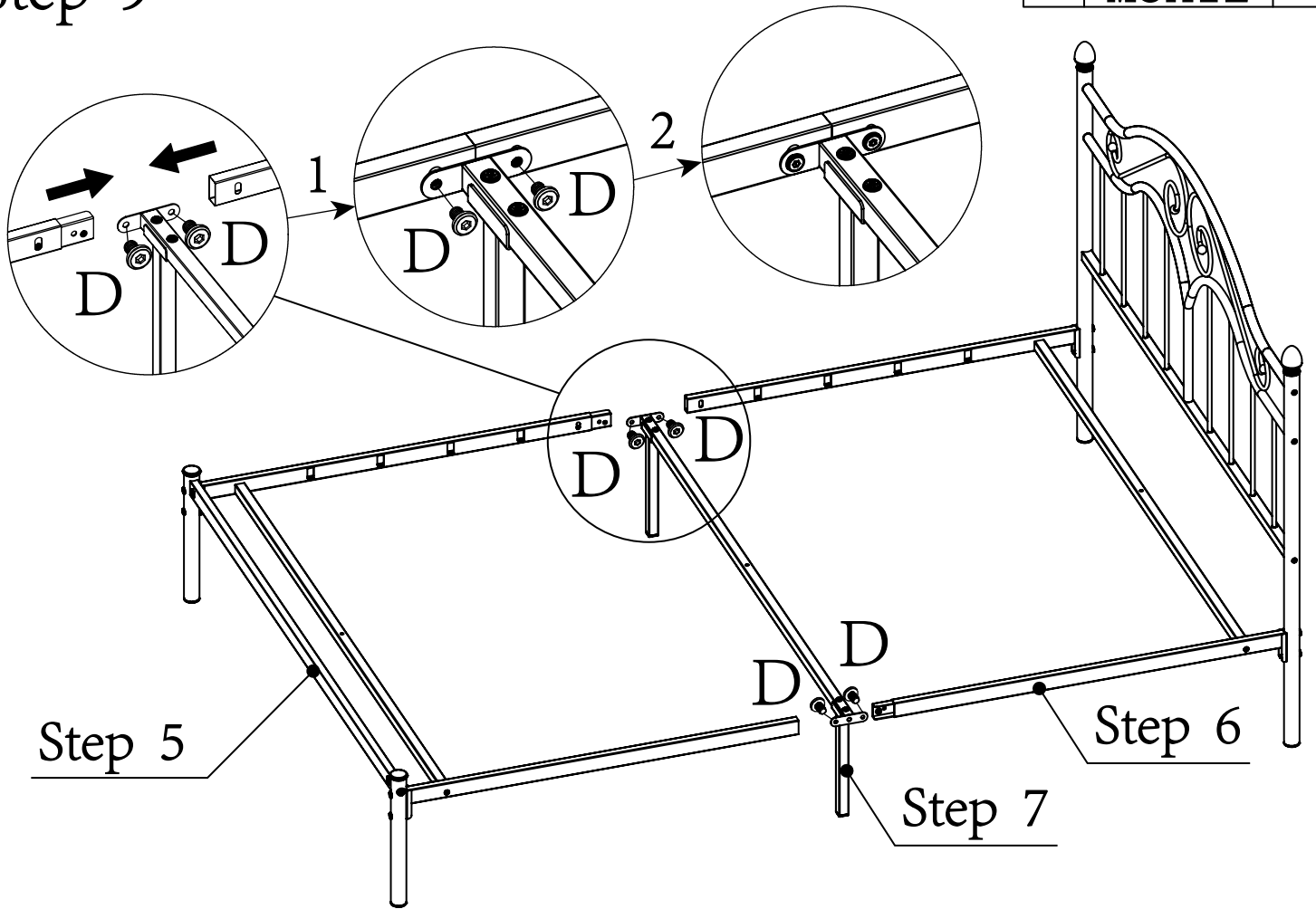
Step 8

G	M6X40	2
H	M6	2
I	M6	2



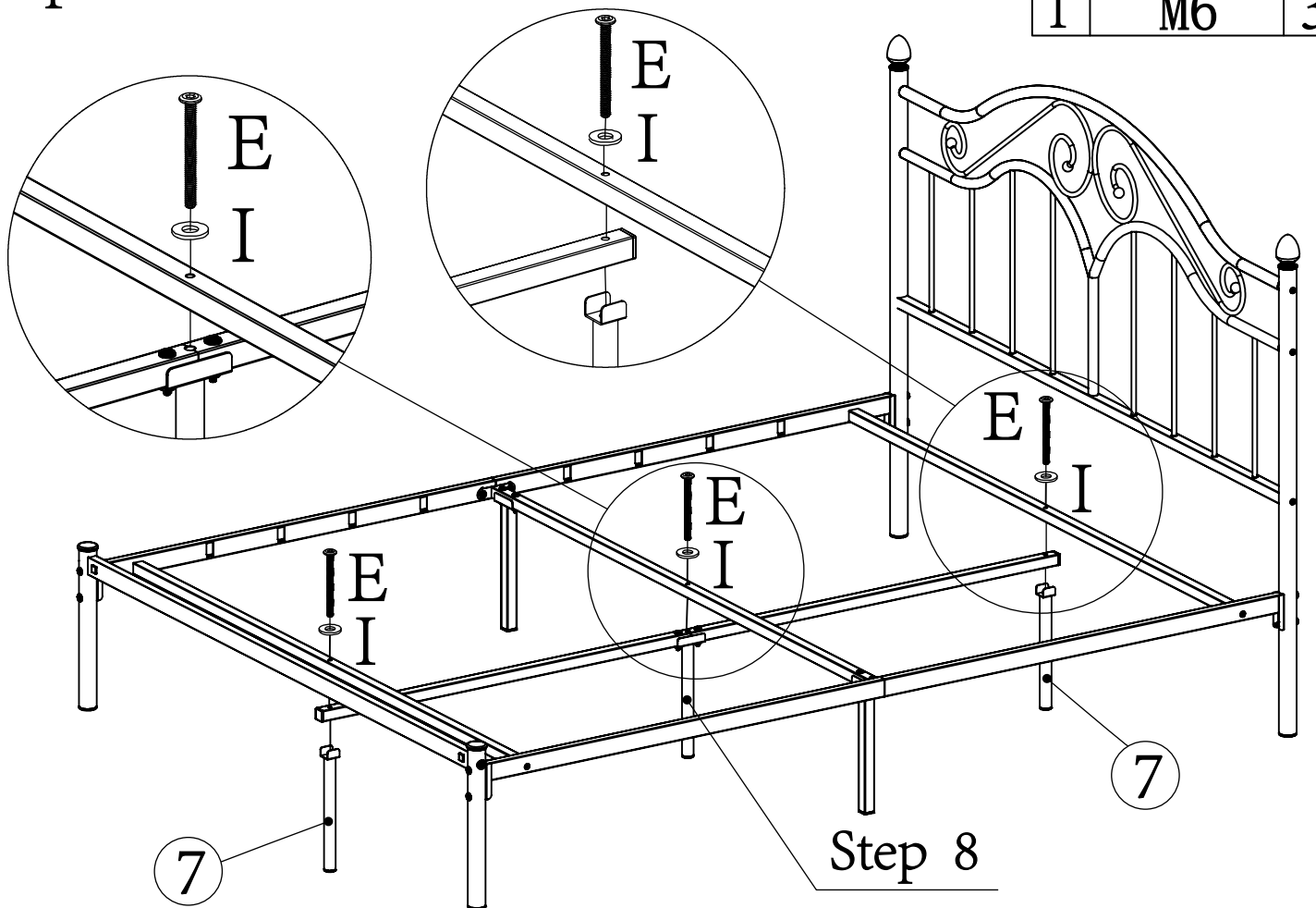
Step 9

D	M8X12	4
---	-------	---

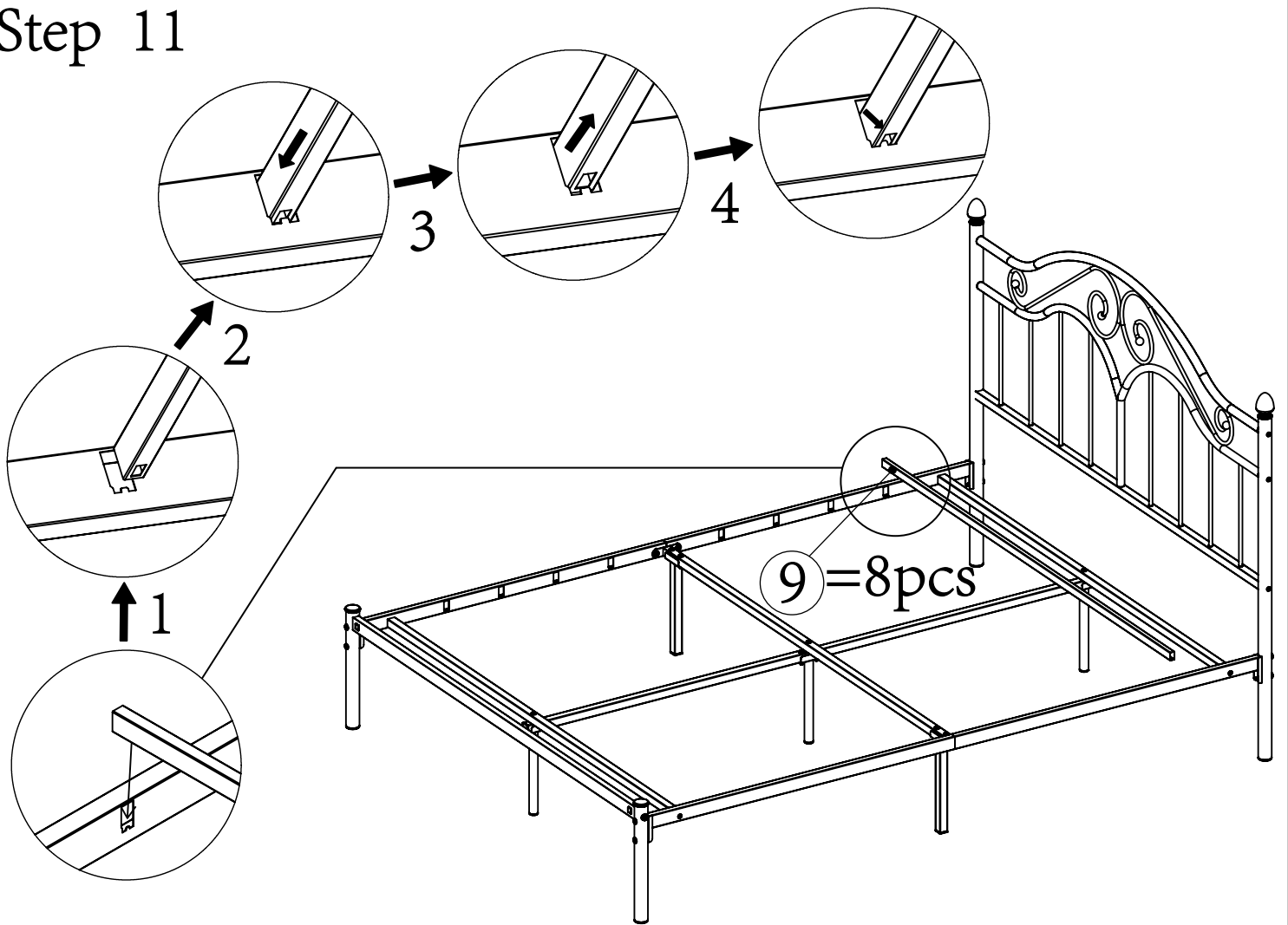


Step 10

E	M6X70	3
I	M6	3



Step 11



Step 12

