

User Manual

Before Assembly

Please read the USER MANUAL thoroughly for quick assembly, and check according to Accessories.



Team Installation:

For larger product, we recommend that you install the product together with other people



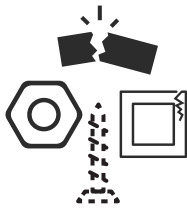
Laying Protection:

To protect the product and your flooring during installation, please lay protection before installation



No Electric Drill:

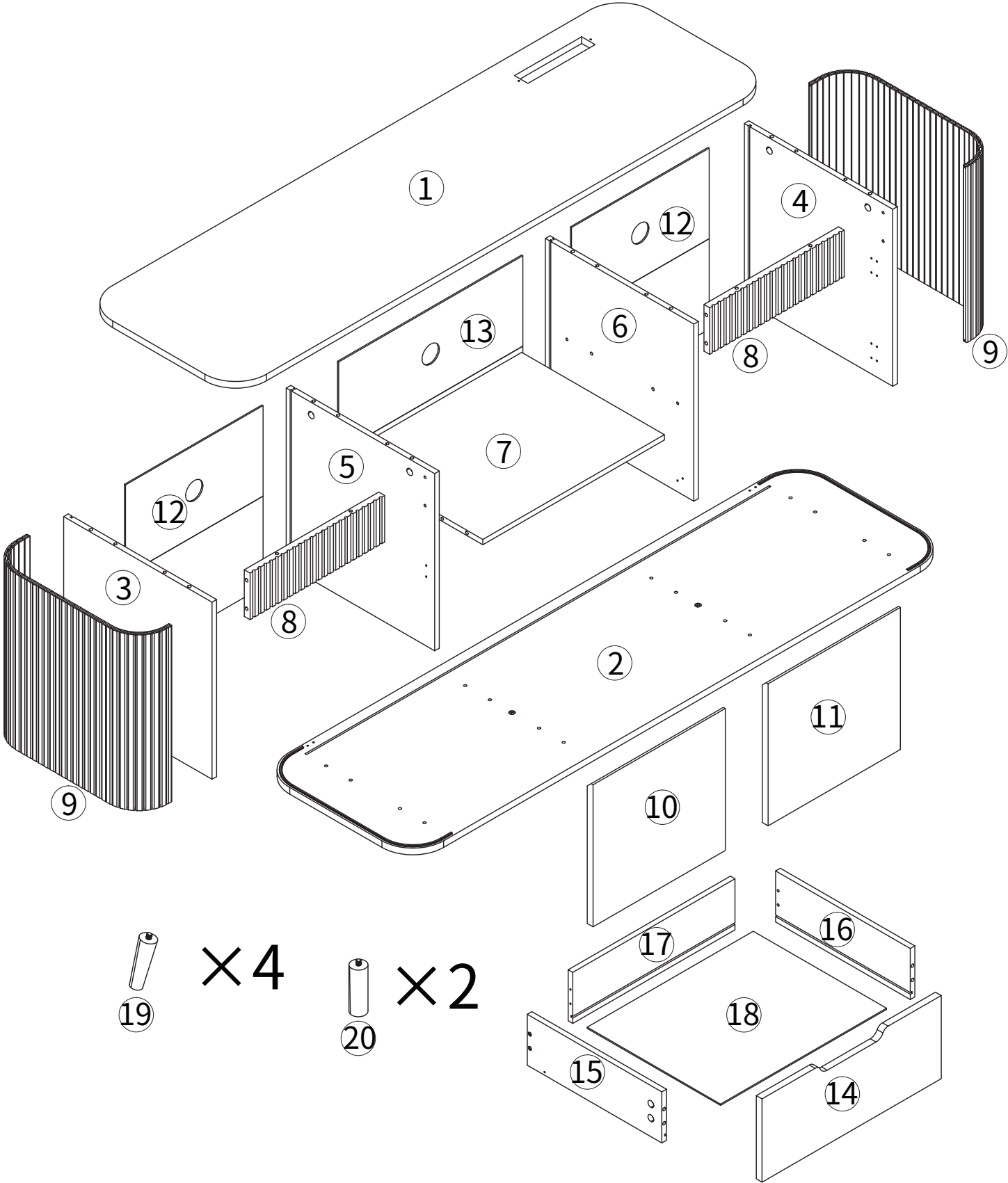
For longer use, please use the installation tools supplied with the product.

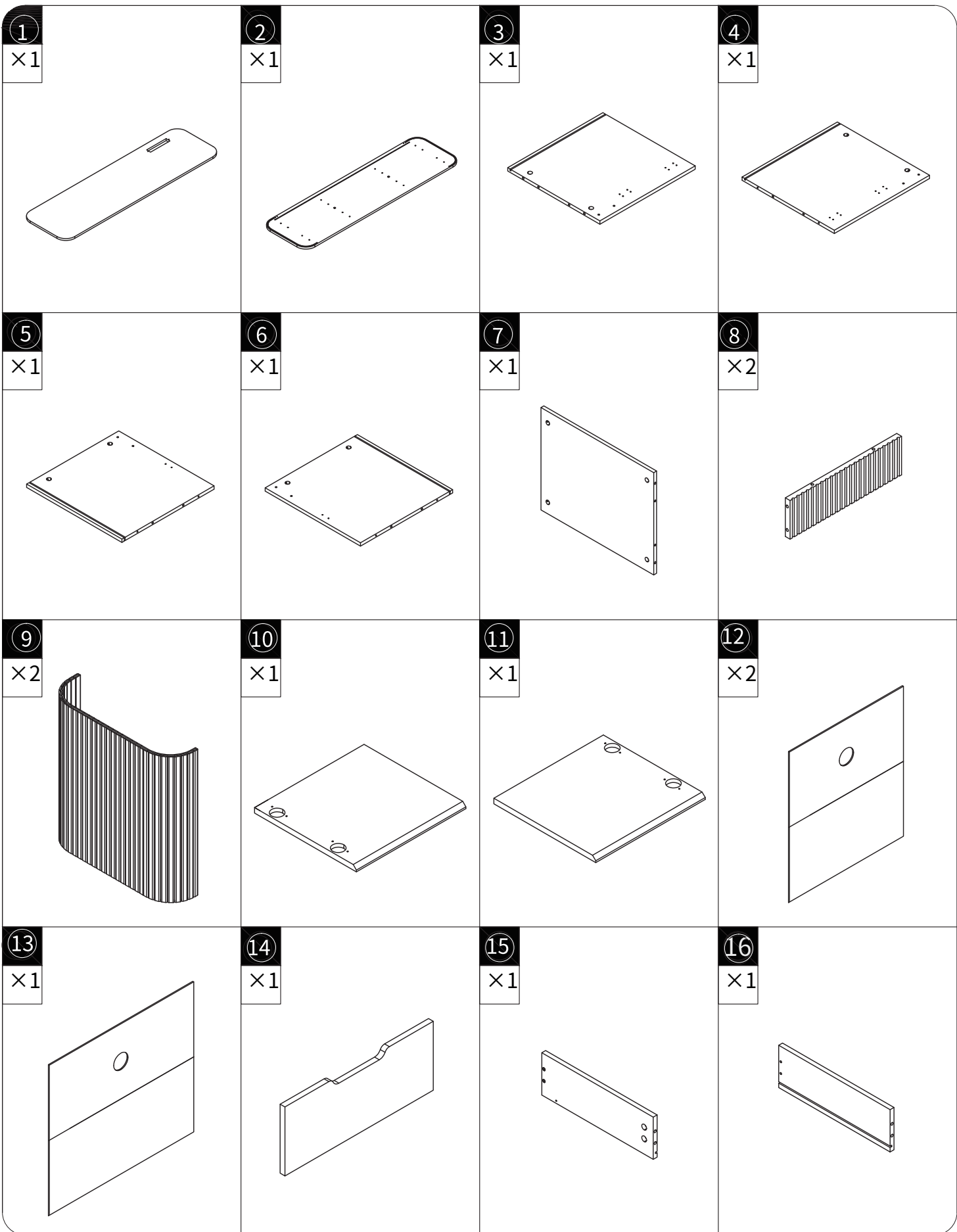


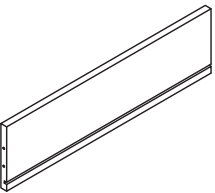
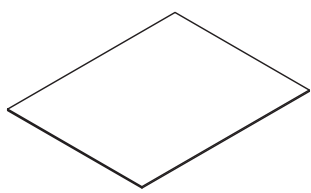


Missing Parts or Broken:

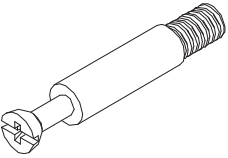
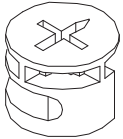

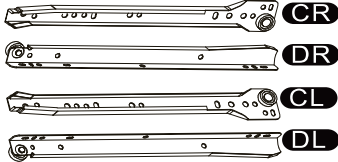
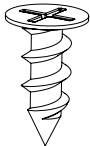
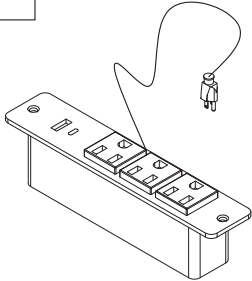
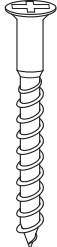
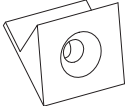
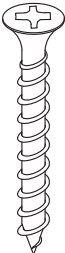
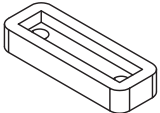
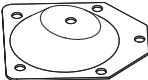
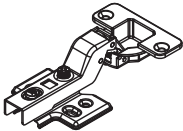

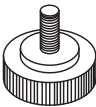
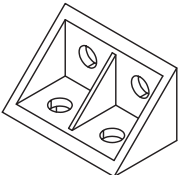
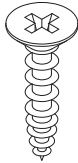
Please feel free to contact us via Amazon Orders or Customer Support Email. We promise to ship the missing or replacement parts to you free of charge.

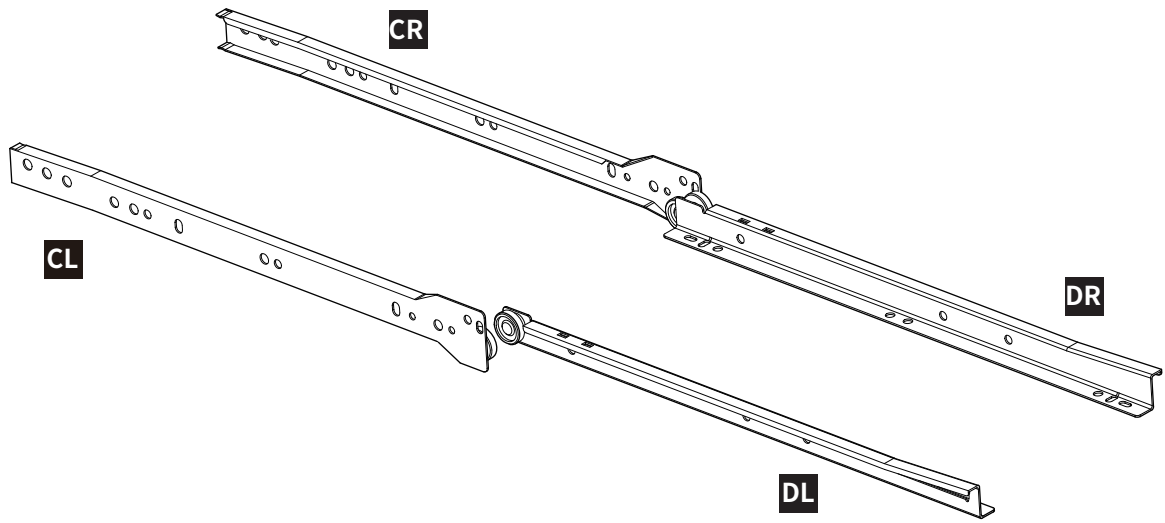
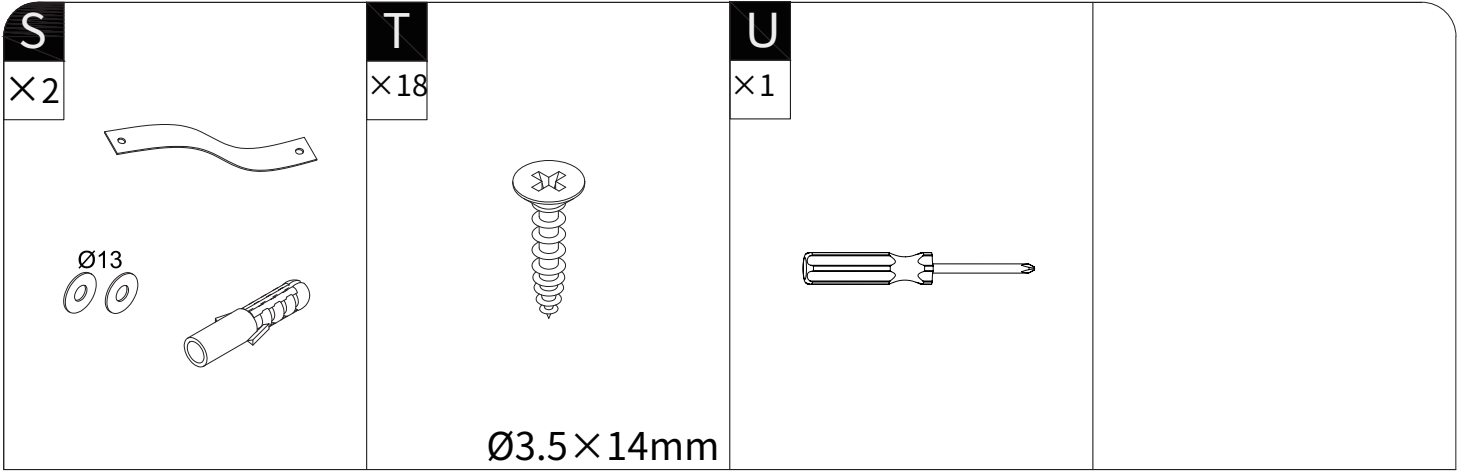
Disassembly Diagram





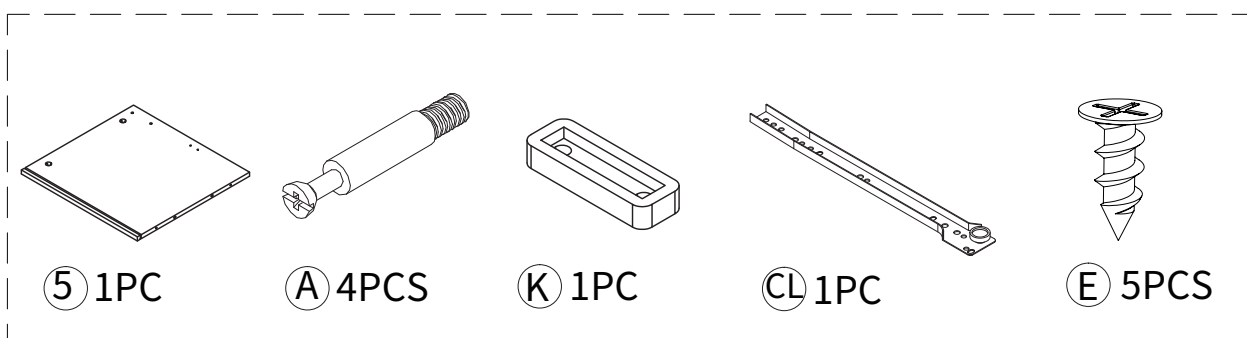
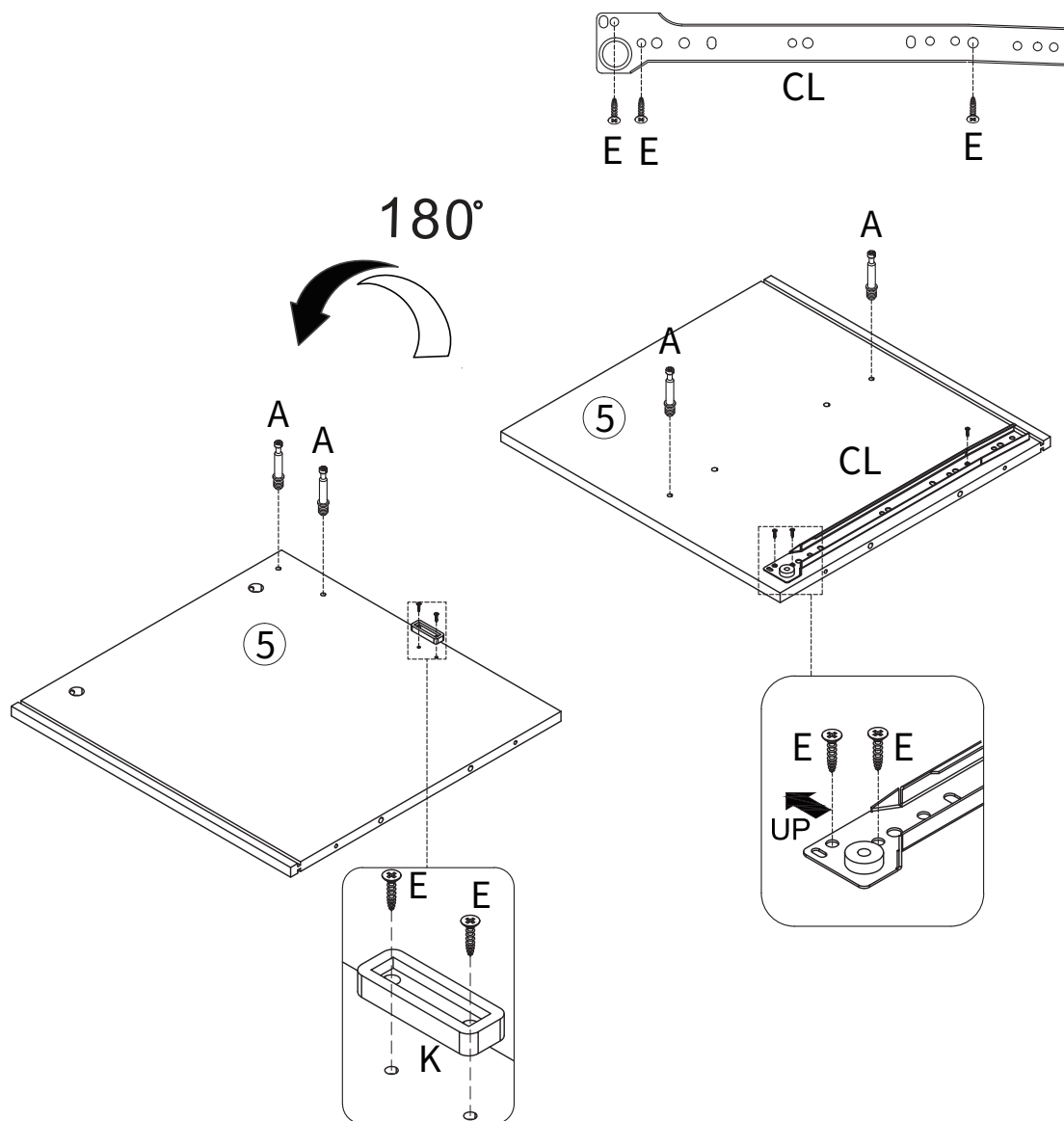
<p>17 x1</p> 	<p>18 x1</p> 	<p>19 x4</p> 	<p>20 x2</p> 
---	---	---	---

<p>A ×24</p>  <p>M6×35mm</p>	<p>B ×24</p>  <p>Ø15×10mm</p>	<p>C ×24</p>  <p>Ø6×30mm</p>	<p>D ×1</p>  <p>350mm</p>
<p>E ×16</p>  <p>Ø4×10mm</p>	<p>F ×1</p> 	<p>G ×8</p>  <p>M5×50mm</p>	<p>H ×12</p> 
<p>J ×6</p>  <p>Ø4×35mm</p>	<p>K ×2</p> 	<p>L ×4</p> 	<p>M ×4</p> 
<p>N ×22</p>  <p>Ø4×14mm</p>	<p>P ×2</p>  <p>M6×Ø30×15mm</p>	<p>Q ×2</p> 	<p>R ×24</p>  <p>Ø3.5×12mm</p>



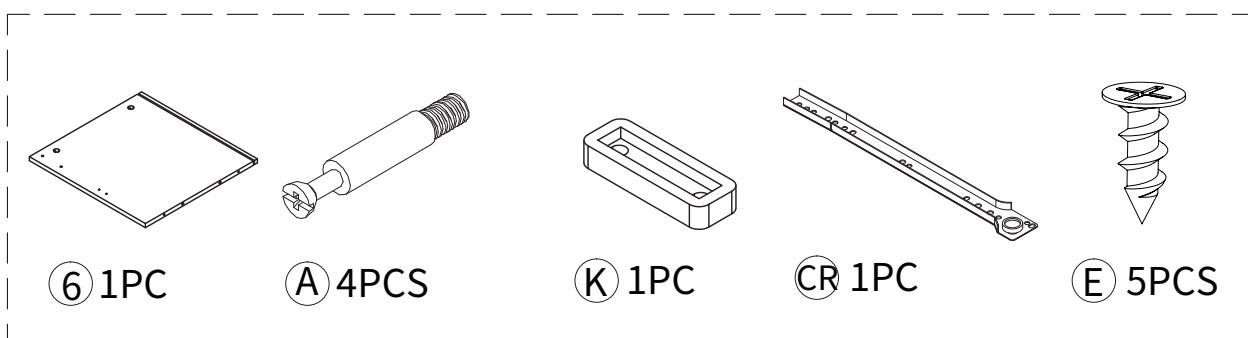
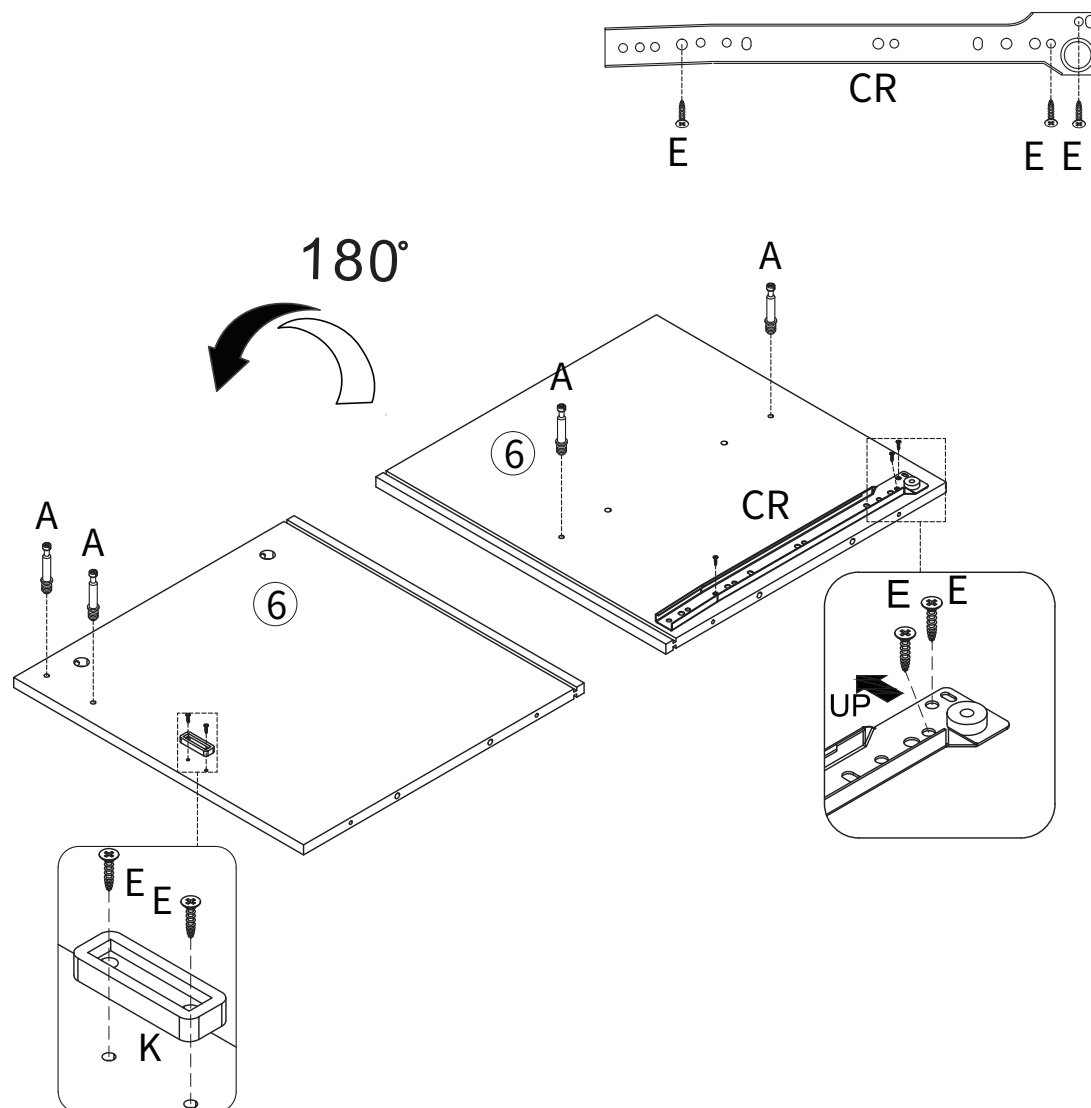
Assembly Instructions

Step 1



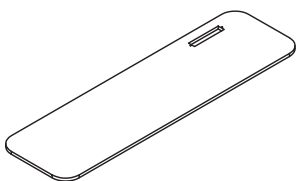
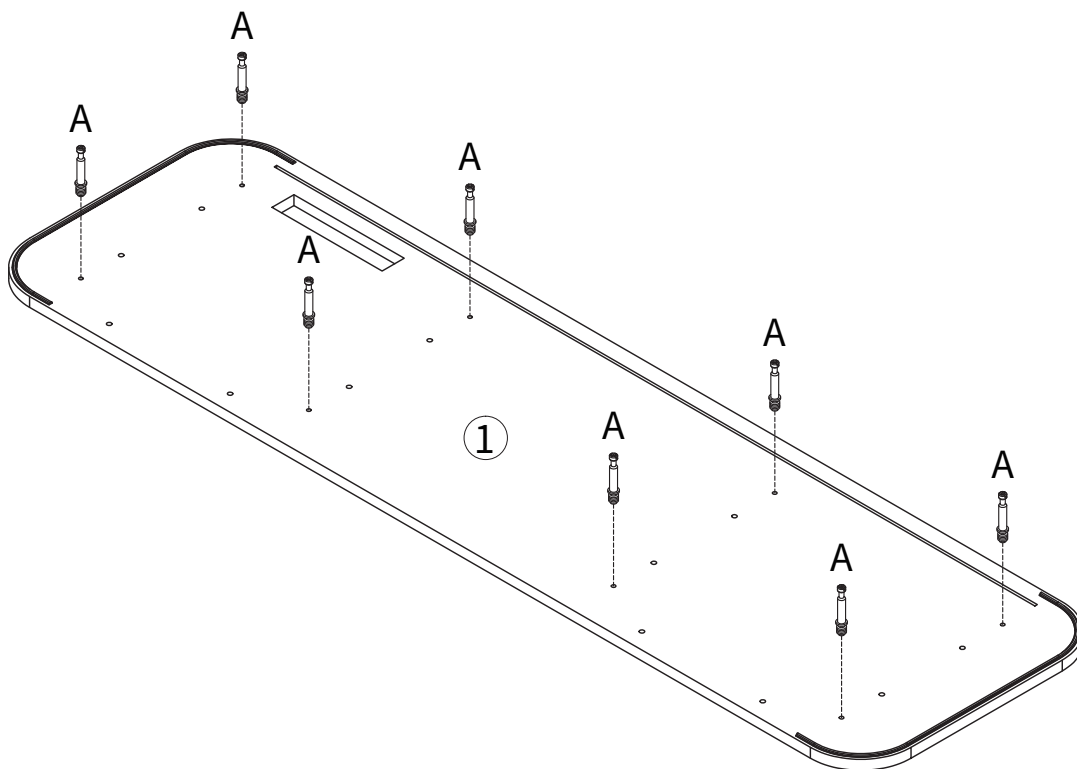
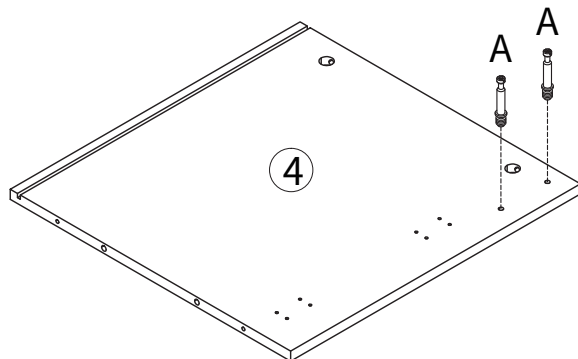
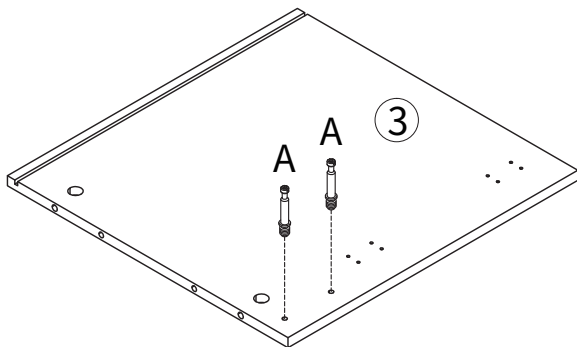
Assembly Instructions

Step2

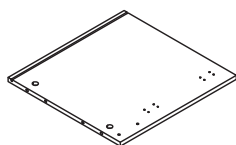


Assembly Instructions

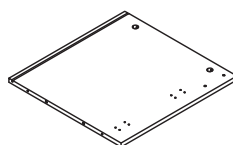
Step 3



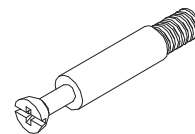
① 1PC



③ 1PC



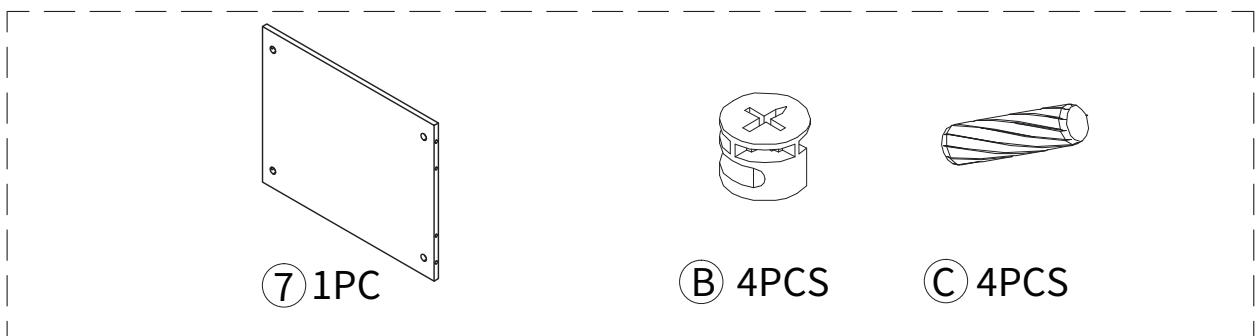
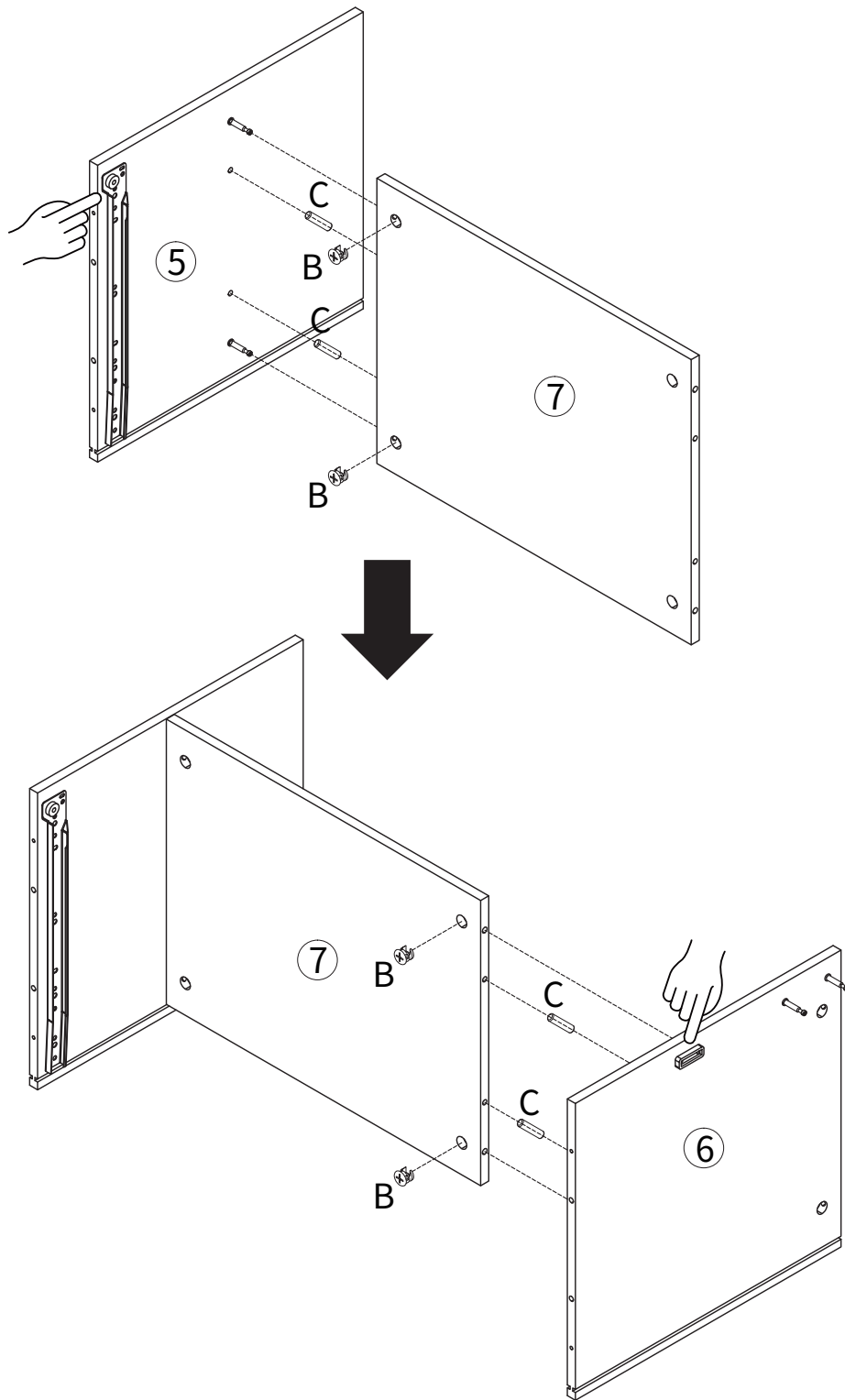
④ 1PC



Ⓐ 12PCS

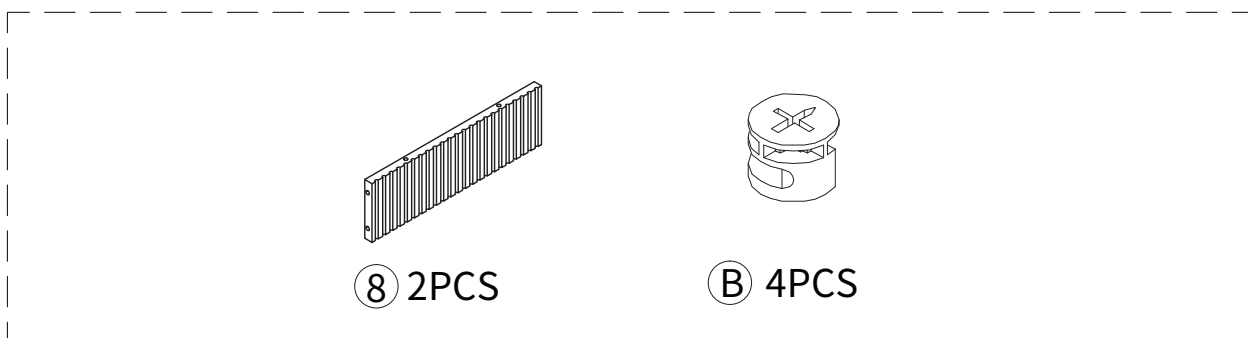
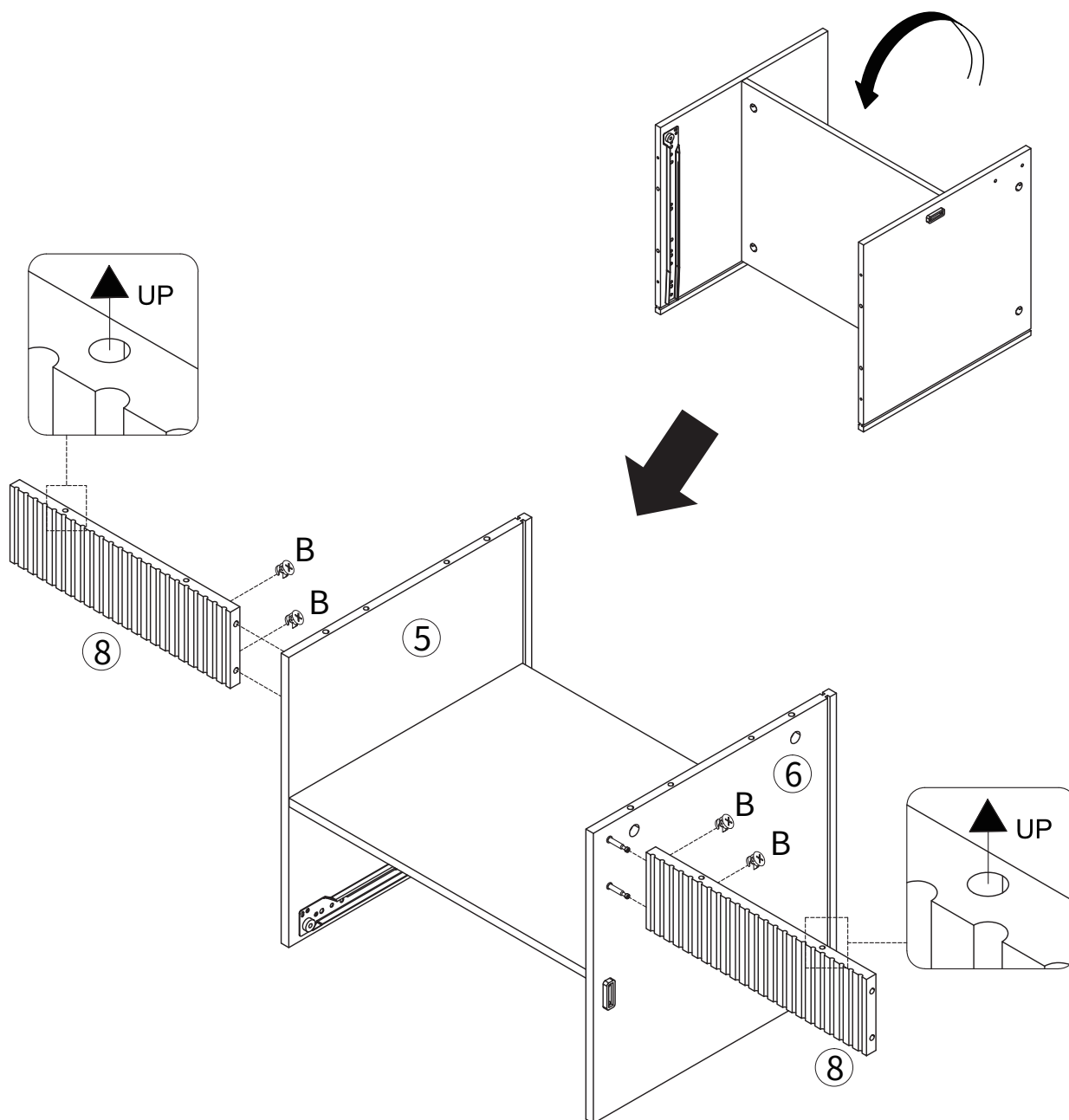
Assembly Instructions

Step 4



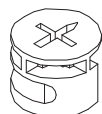
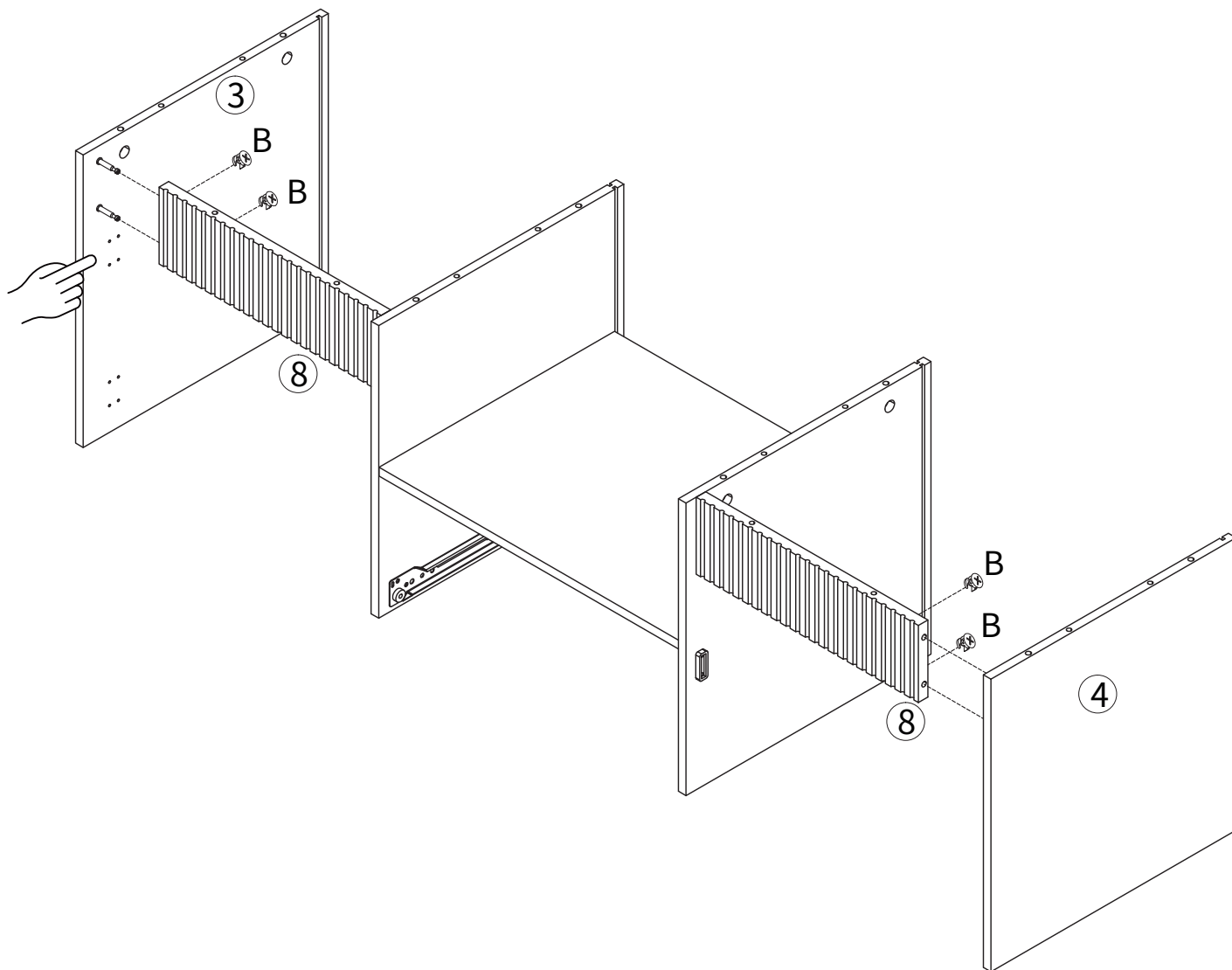
Assembly Instructions

Step 5



Assembly Instructions

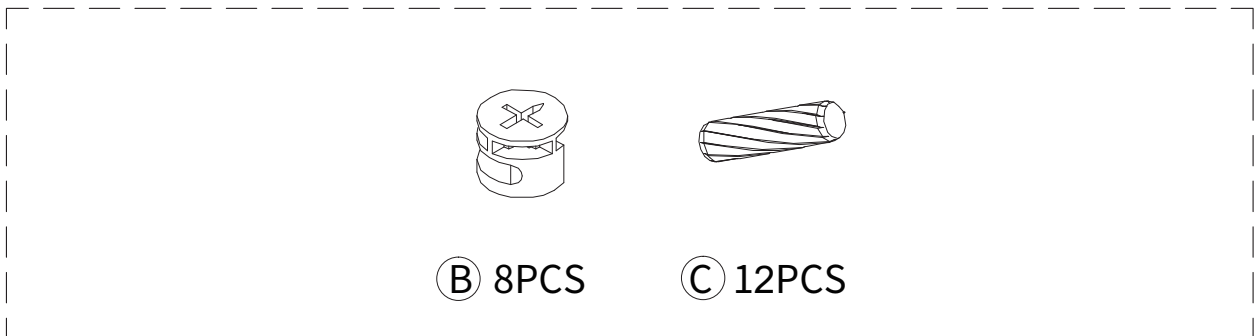
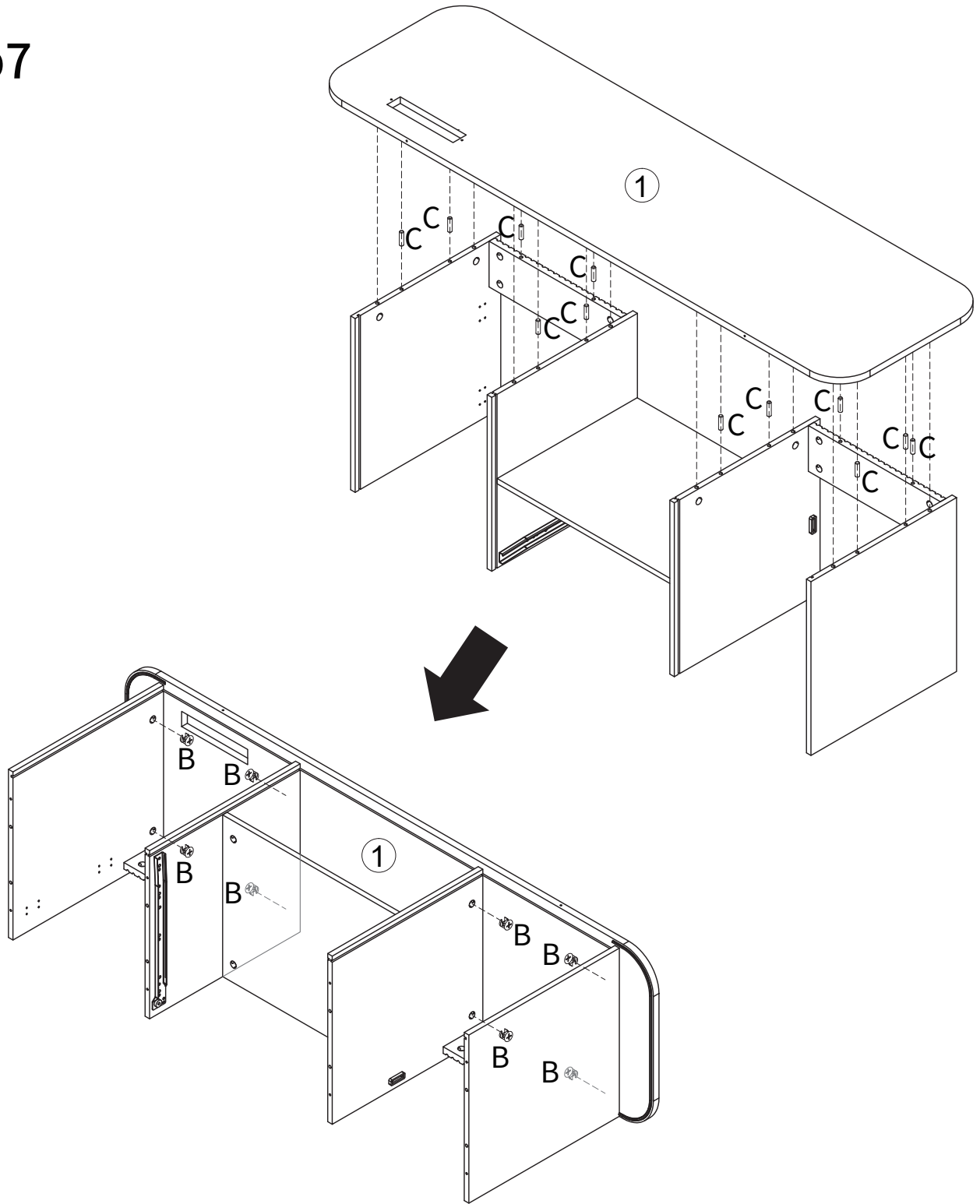
Step 6



Ⓑ 4PCS

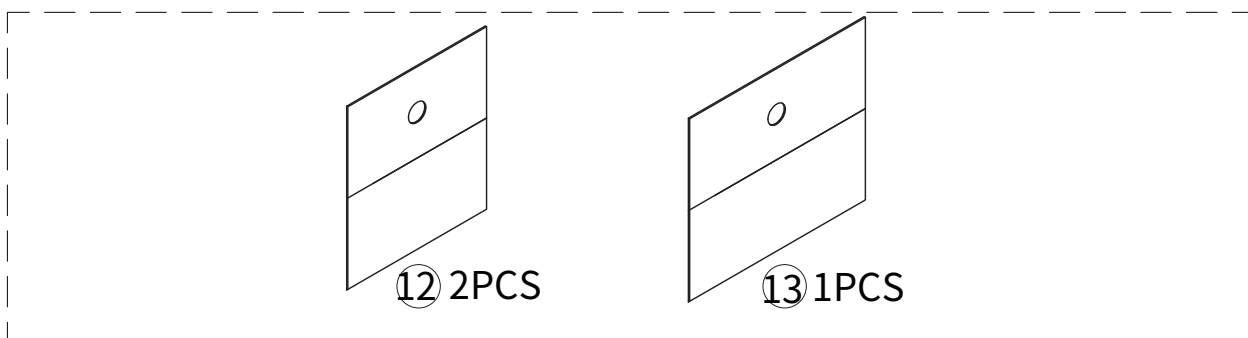
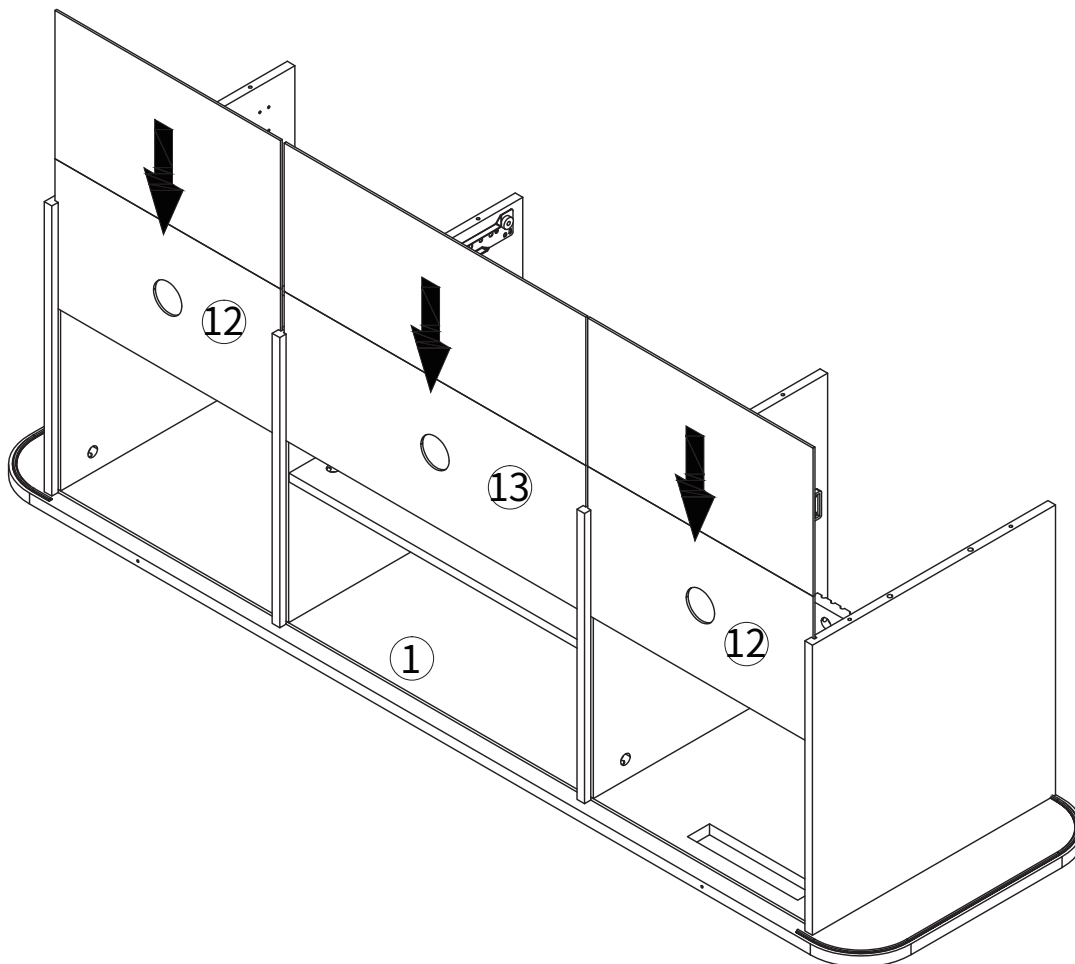
Assembly Instructions

Step 7



Assembly Instructions

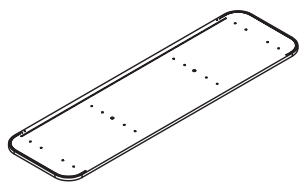
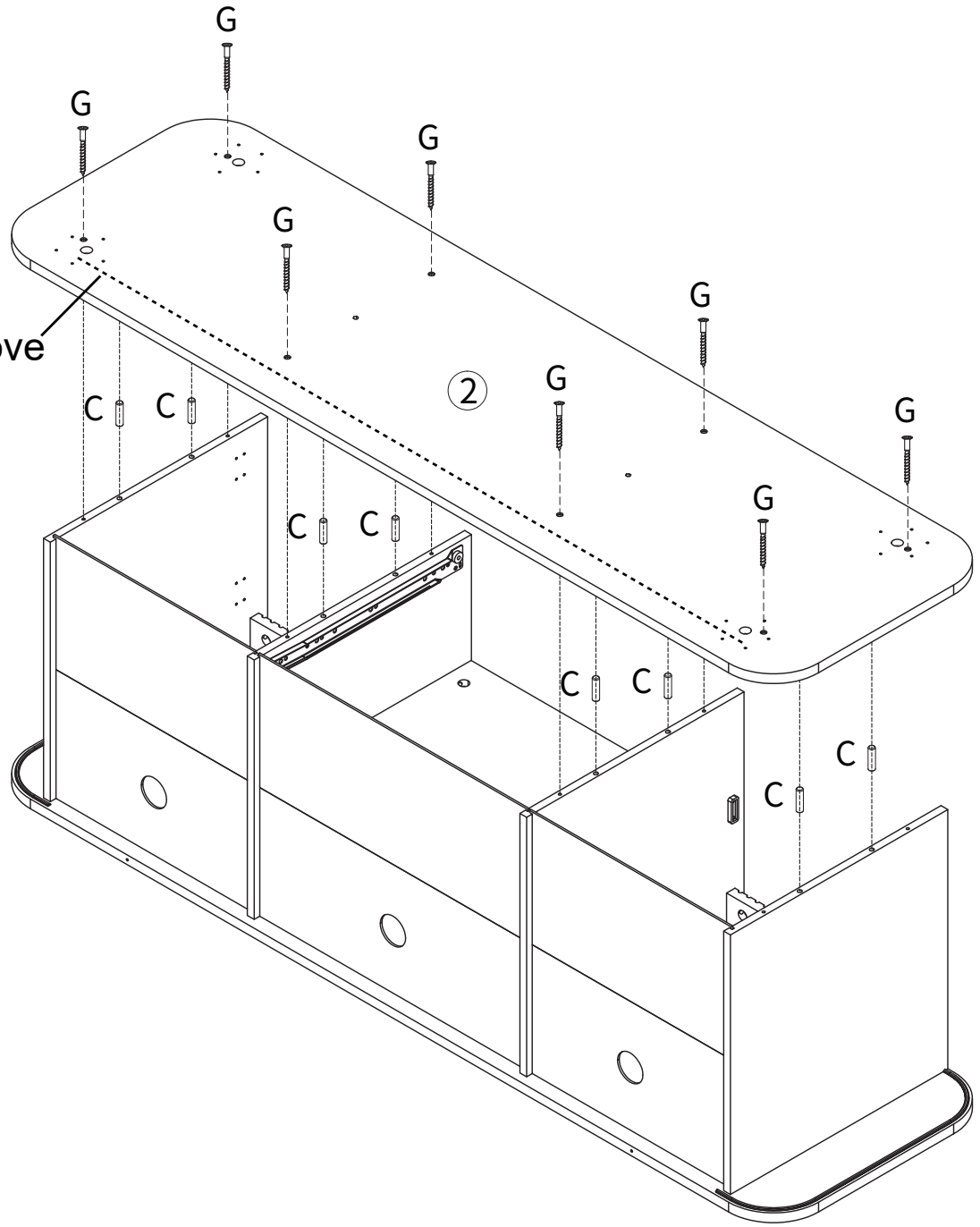
Step 8



Assembly Instructions

Step 9

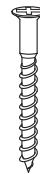
There is a groove at the bottom



② 1PCS



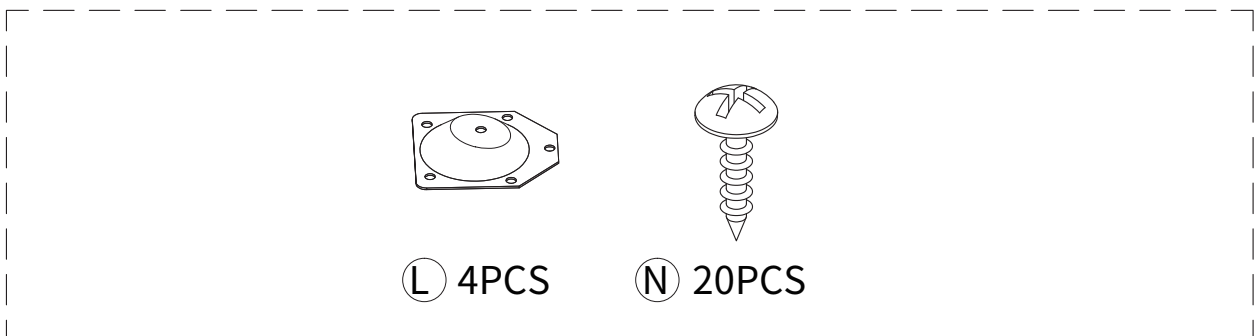
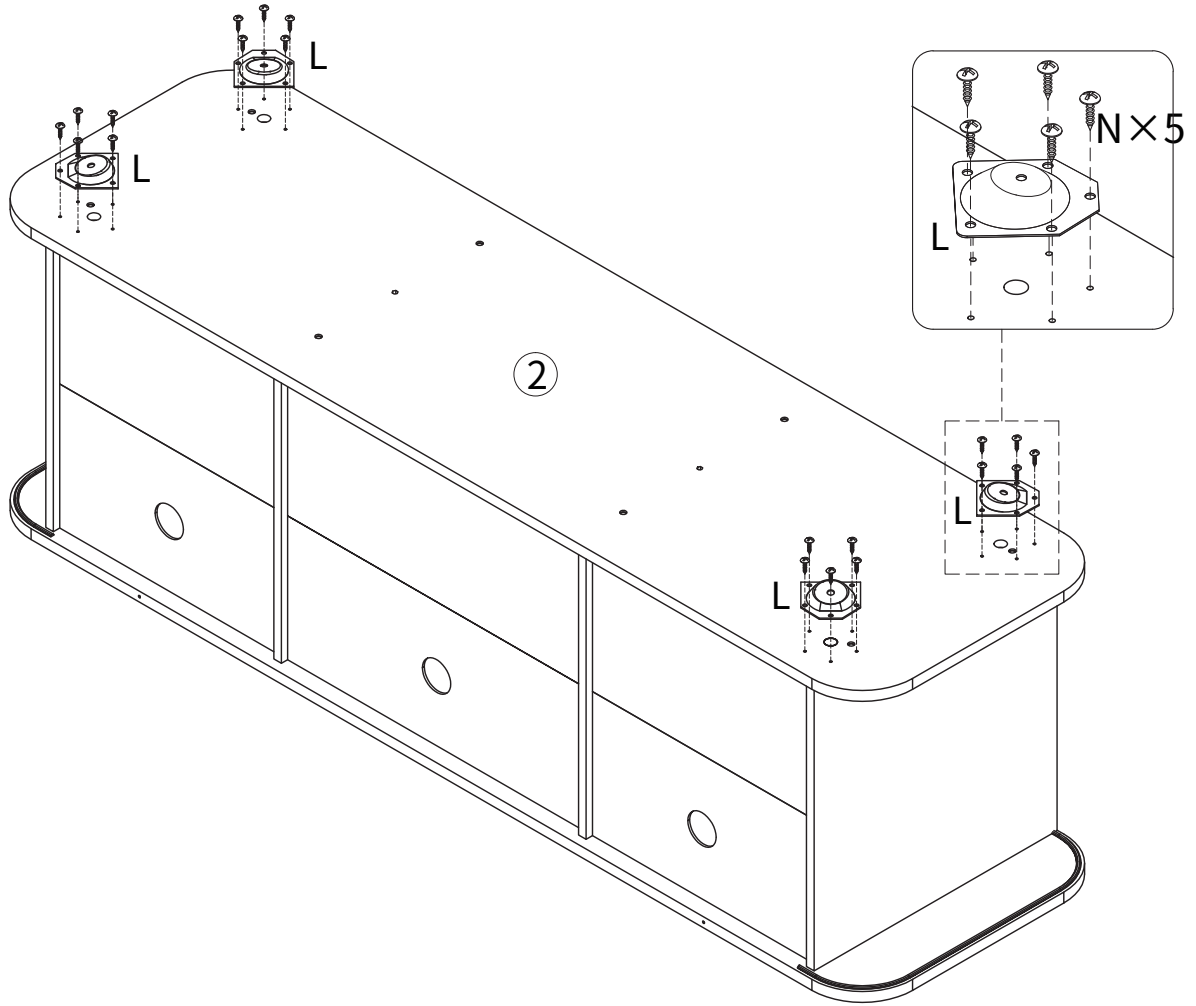
① C 8PCS



① G 8PCS

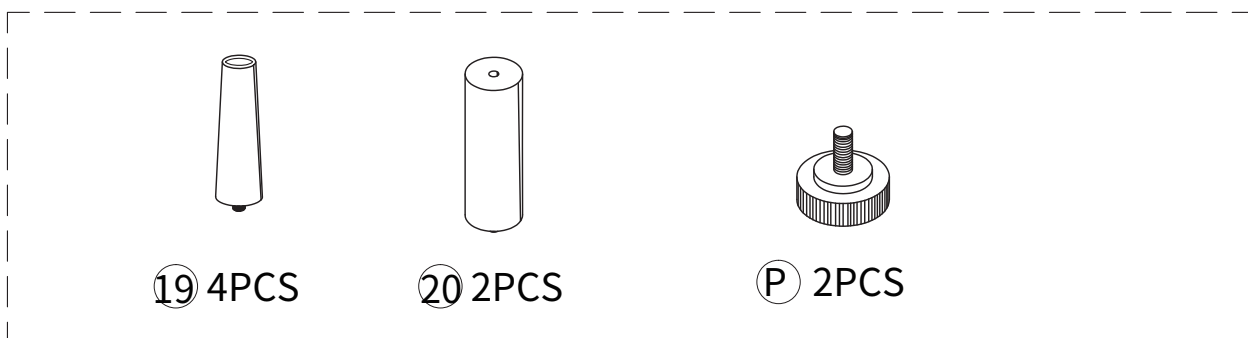
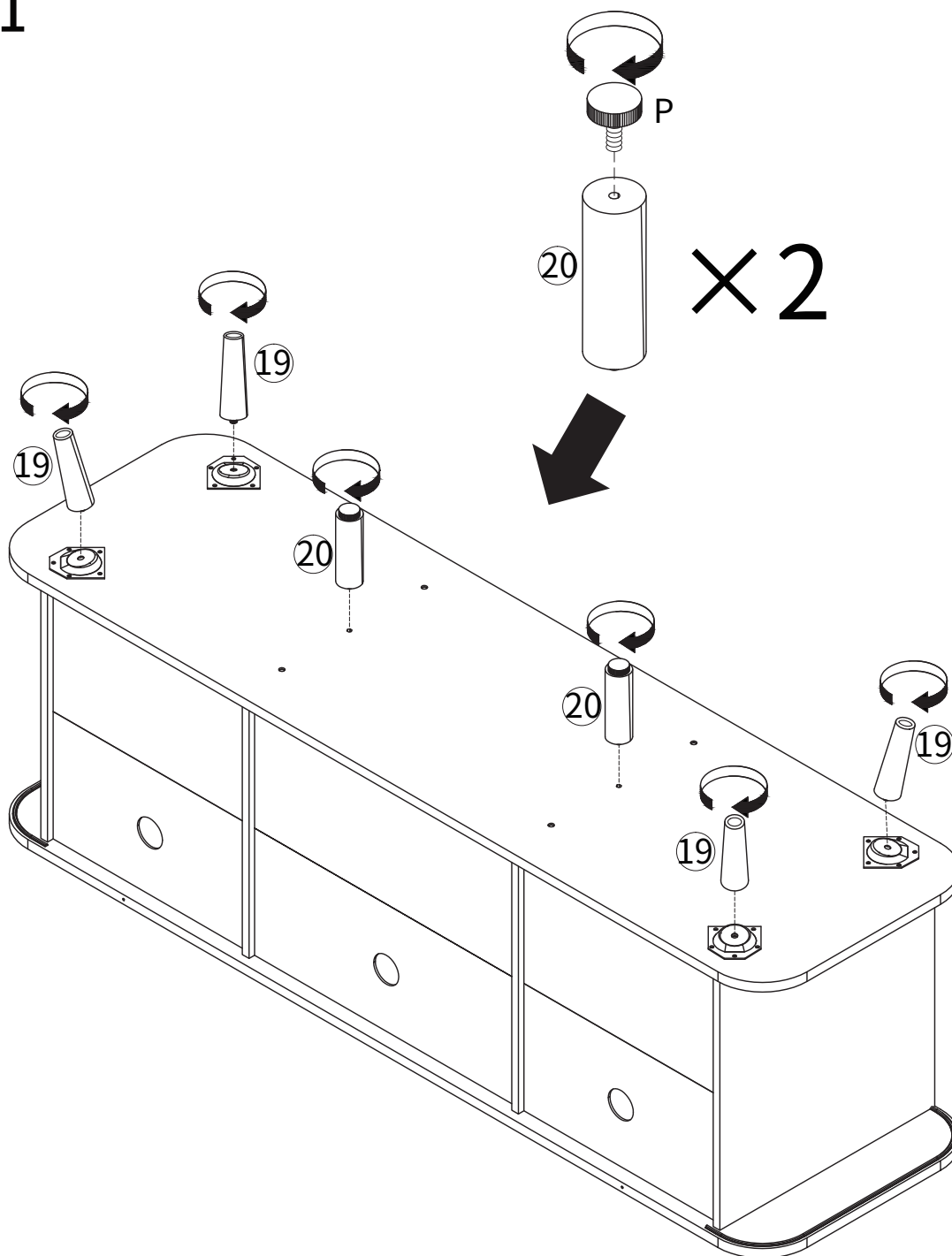
Assembly Instructions

Step 10



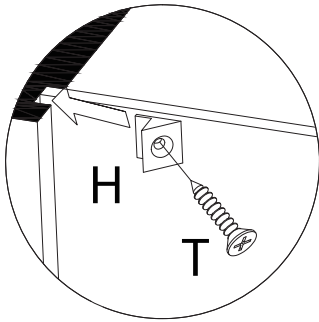
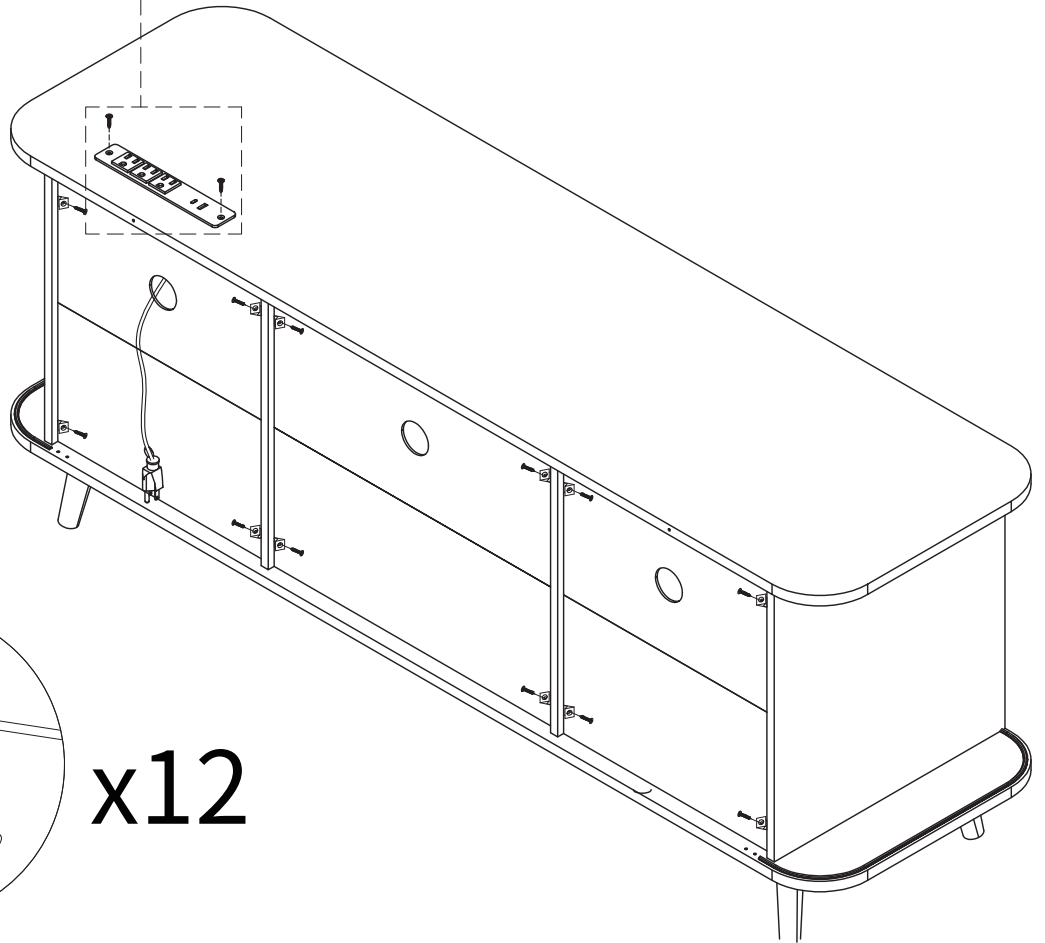
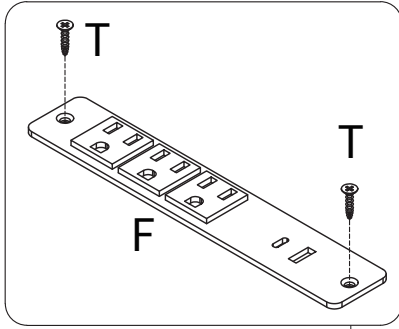
Assembly Instructions

Step 11

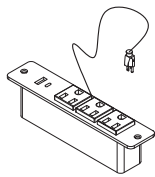


Assembly Instructions

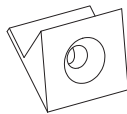
Step 12



x12



ⓕ 1PC



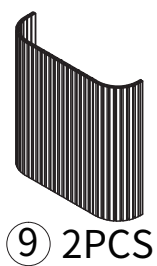
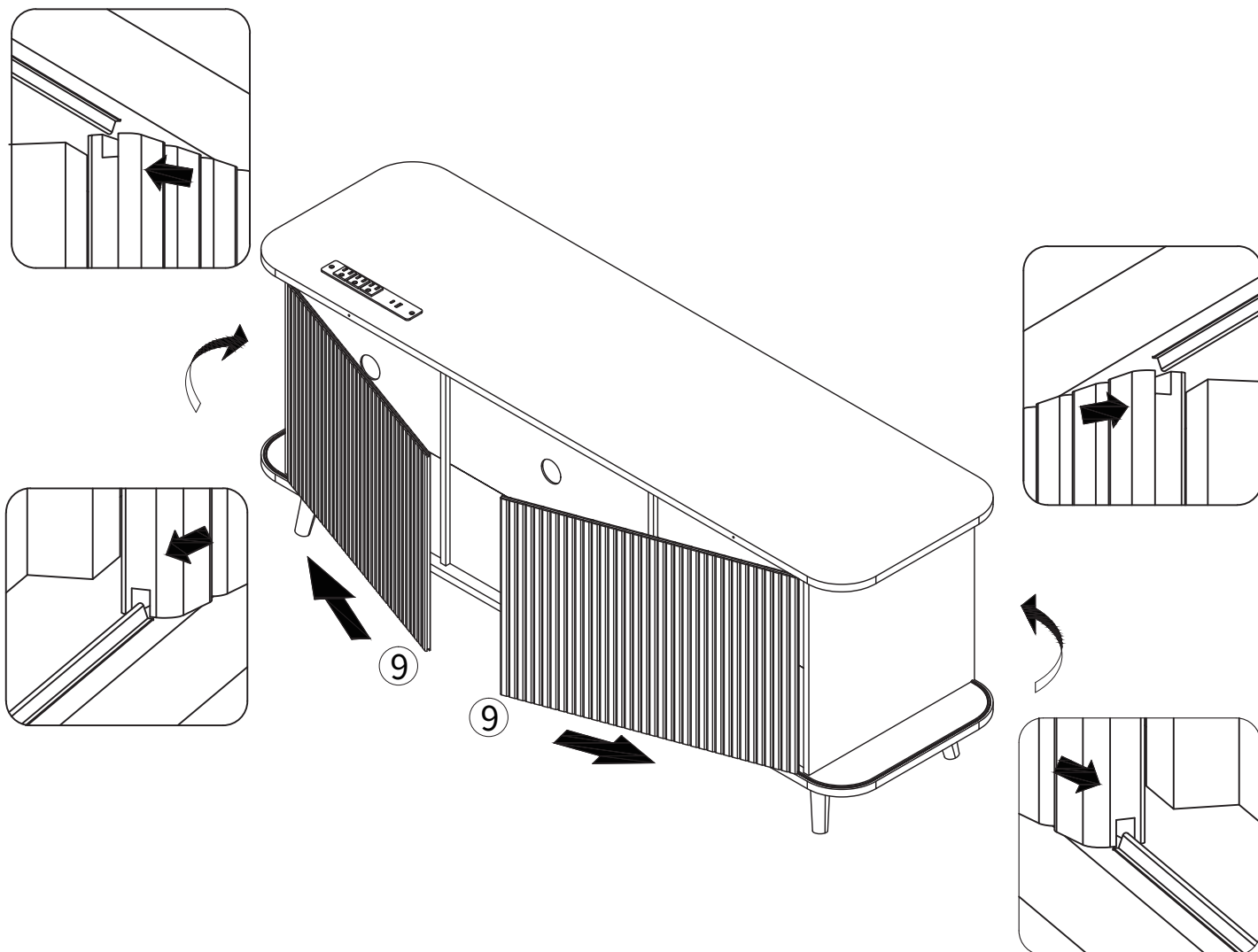
ⓗ 12PCS



Ⓣ 14PCS

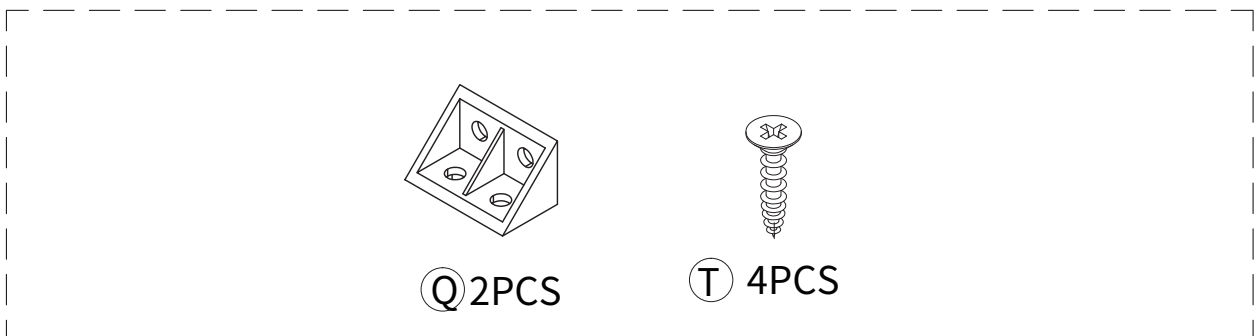
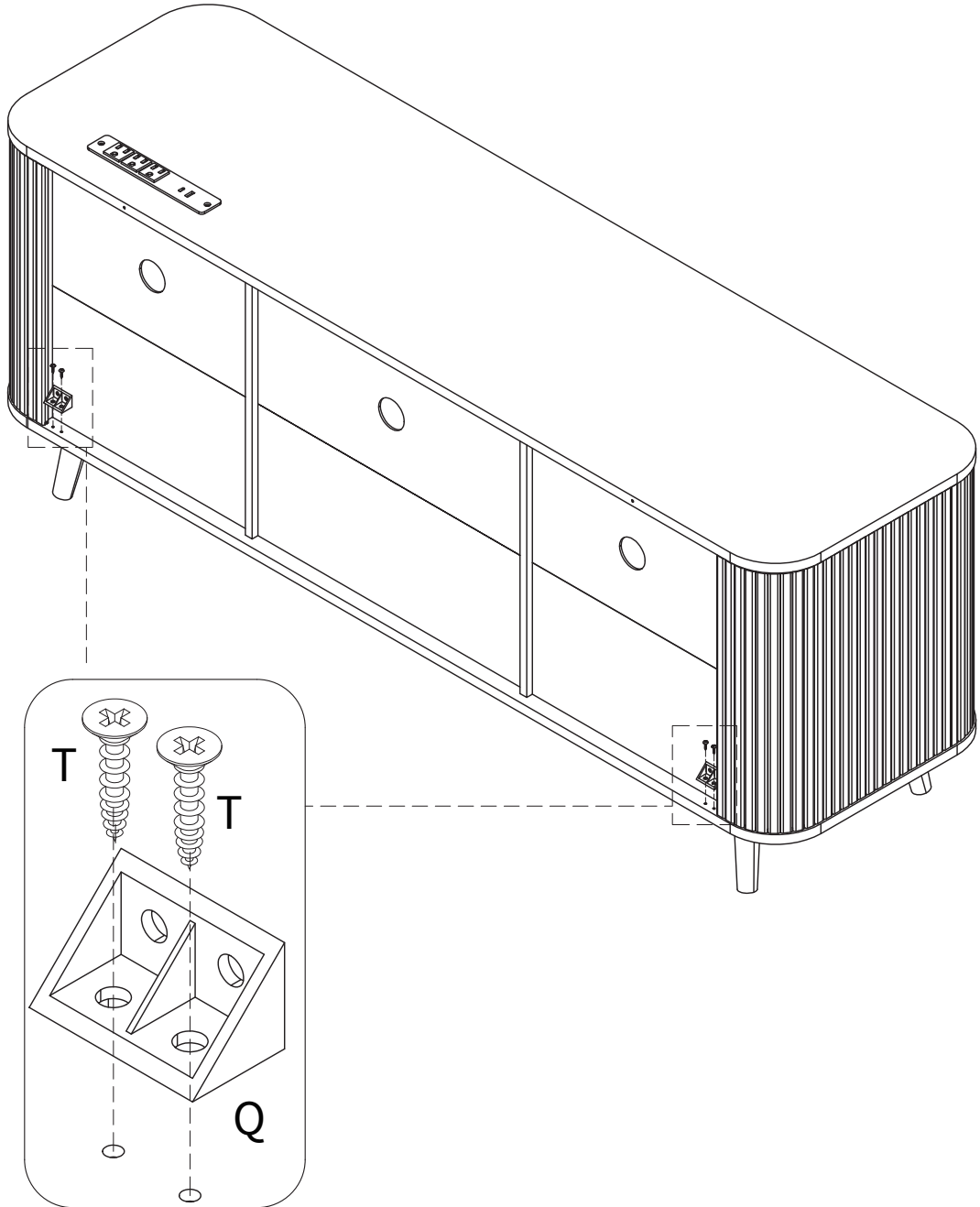
Assembly Instructions

Step 13



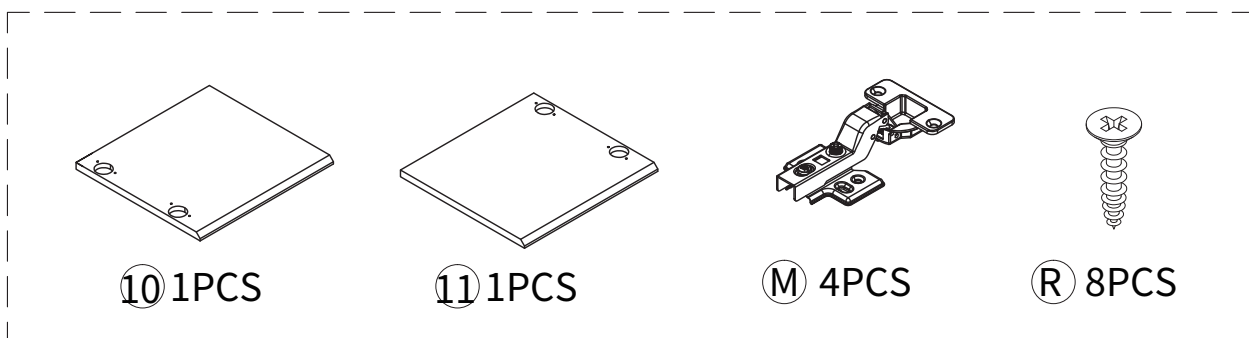
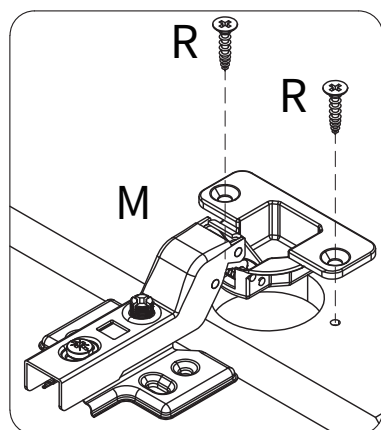
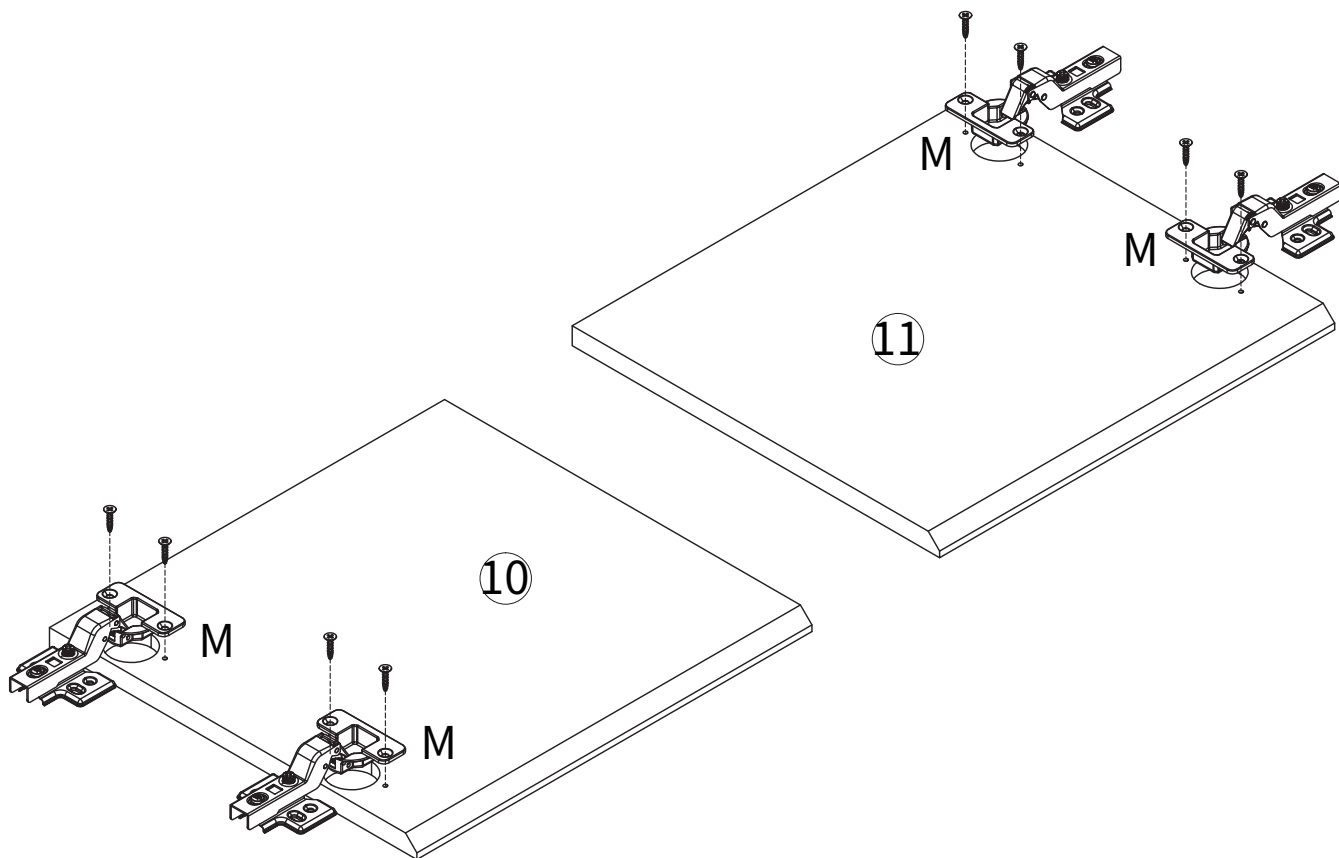
Assembly Instructions

Step 14

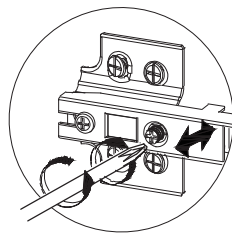
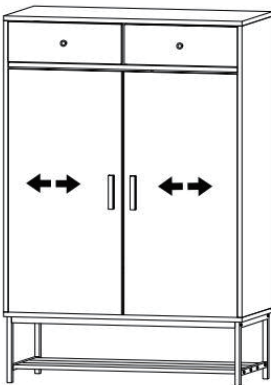
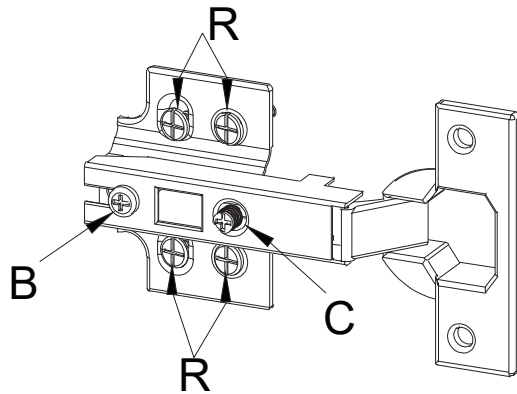


Assembly Instructions

Step 15



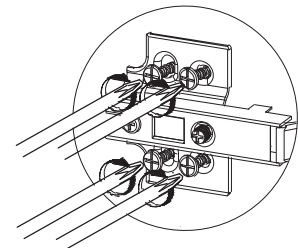
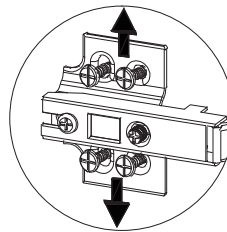
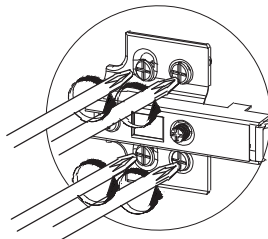
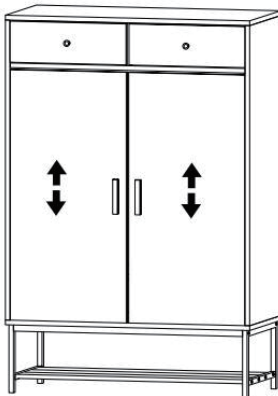
YOU WILL USE THIS PAGE FOR THE NEXT STEP



If you find a large gap between or beside the door

To adjust side ways.

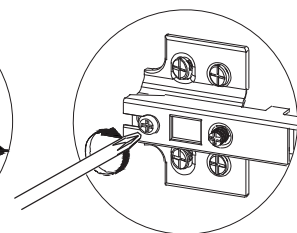
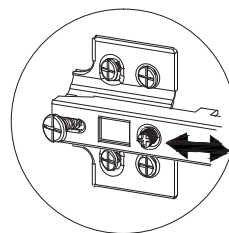
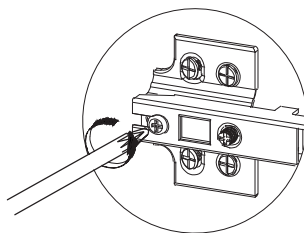
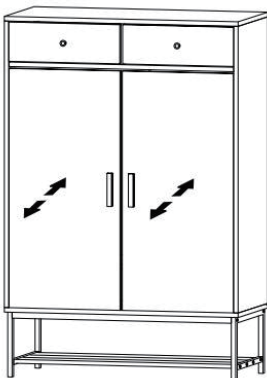
Turning the screw "C" on BOTH hinges on each door.



If you find a large gap above or below the door

To adjust the vertical height.

Loosen the four screws "R" on both hinges. Two of them are usually in slotted holes which allows you to adjust up or down by a few mm. Then tighten back up.



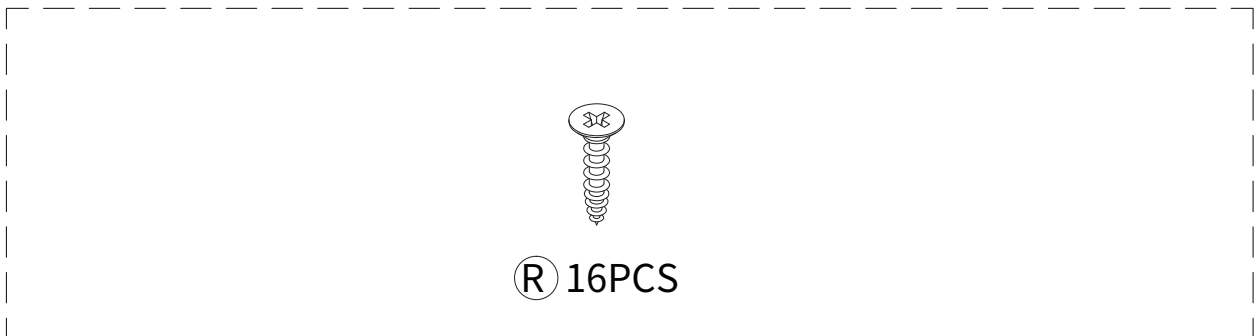
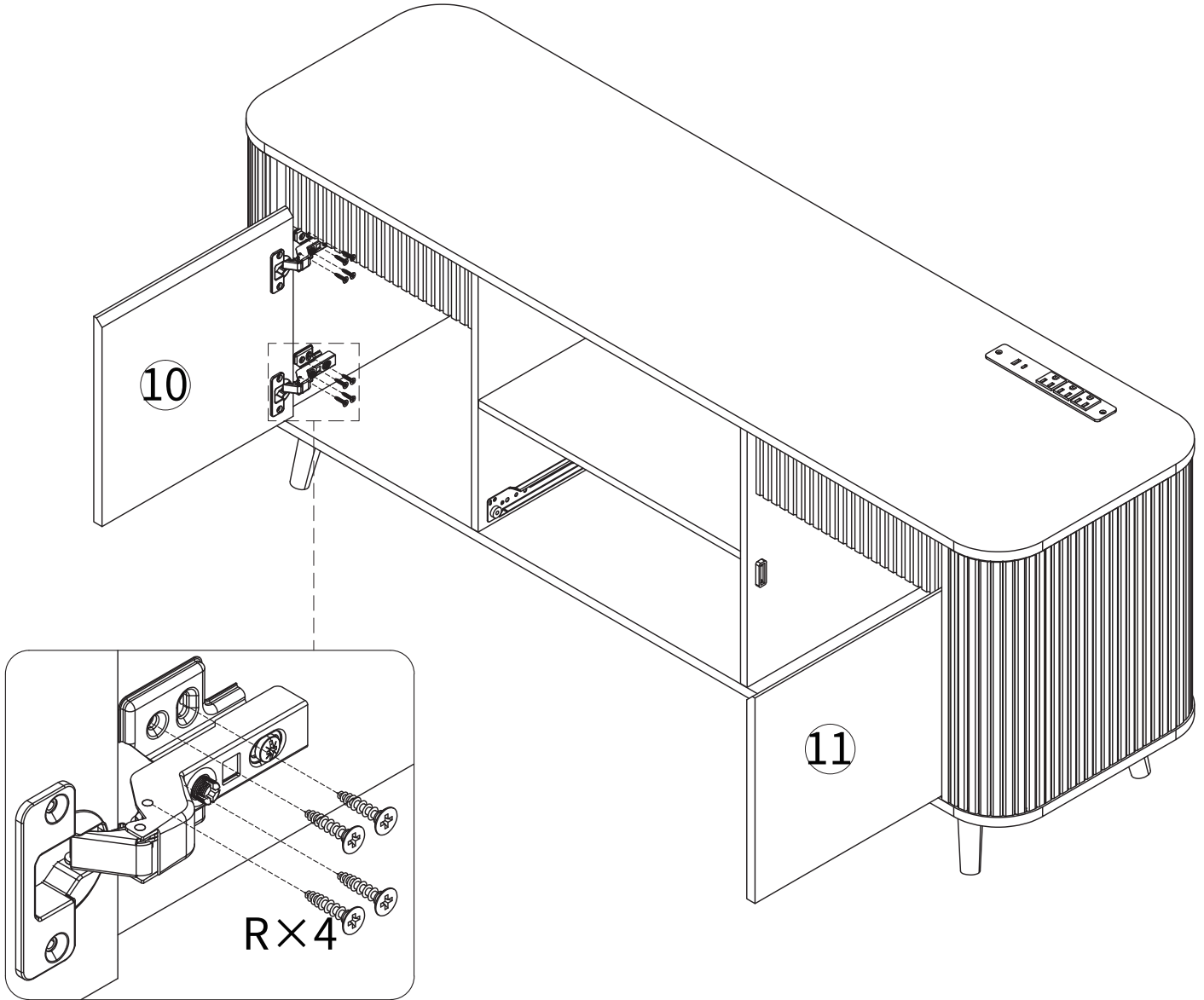
If you find the door is too protruding or too inside.

To adjust depth.

Loosen screw "B" and adjust door, if the door can not be adjusted, please loosen screw "C", then try again. Tighten screw "B" and "C".

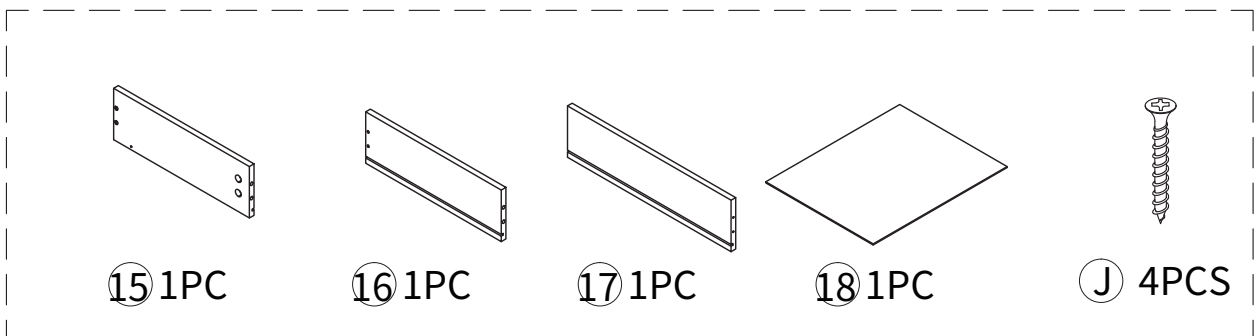
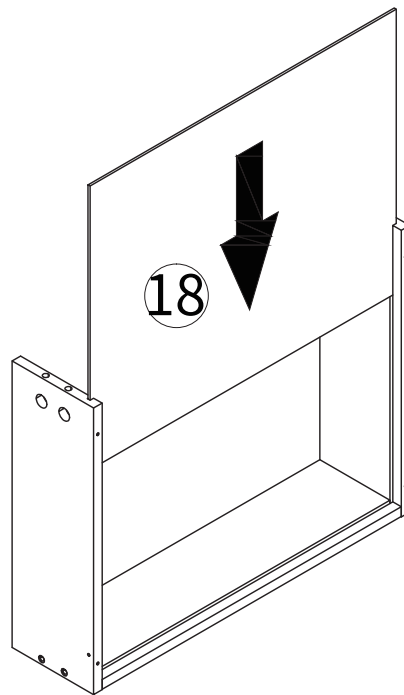
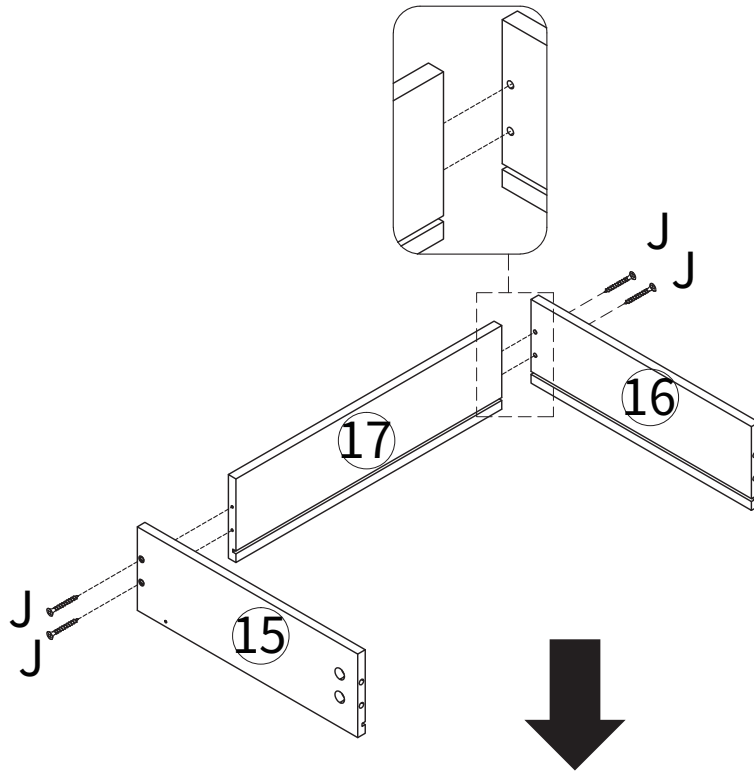
Assembly Instructions

Step 16



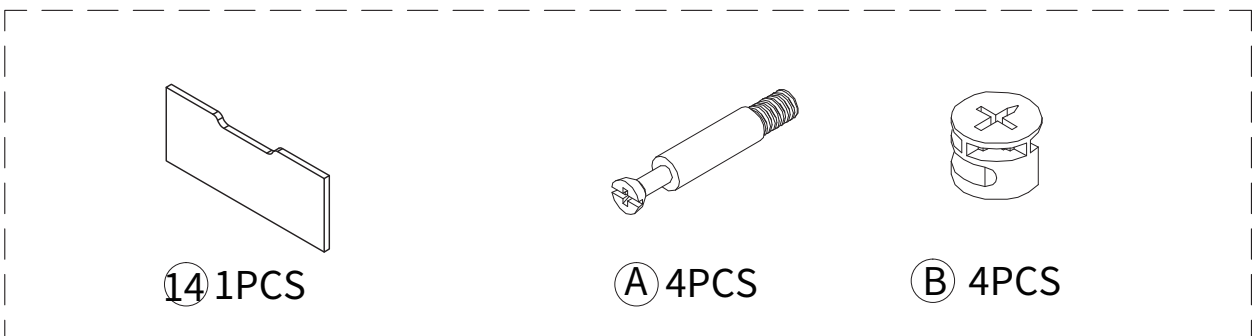
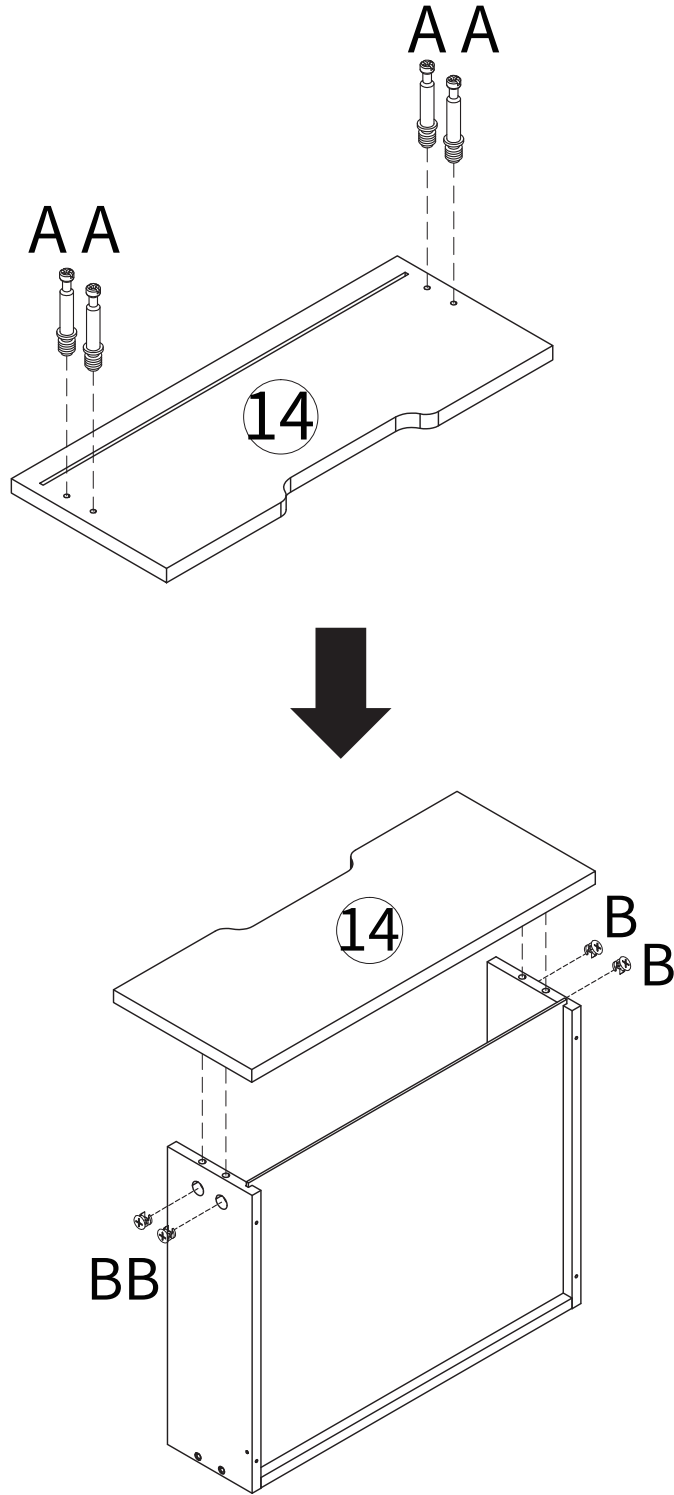
Assembly Instructions

Step 17



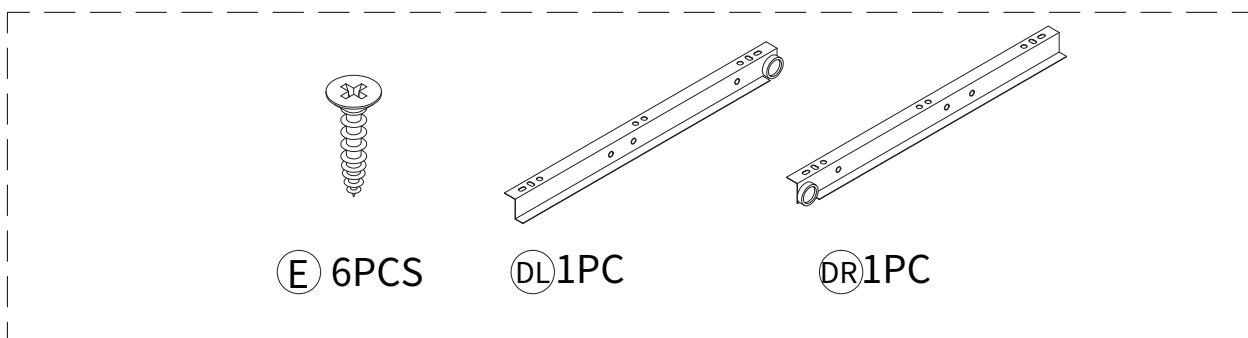
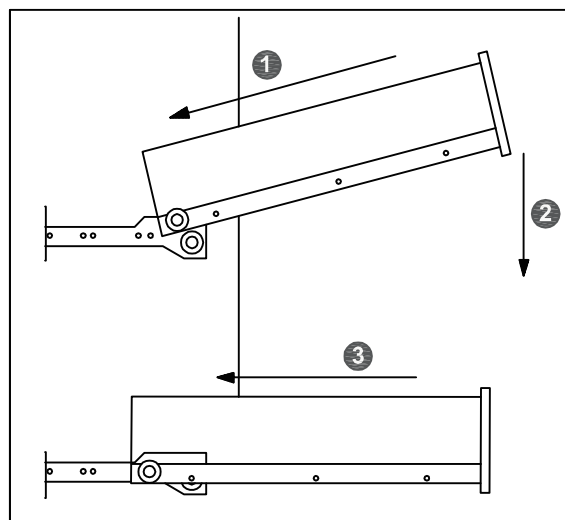
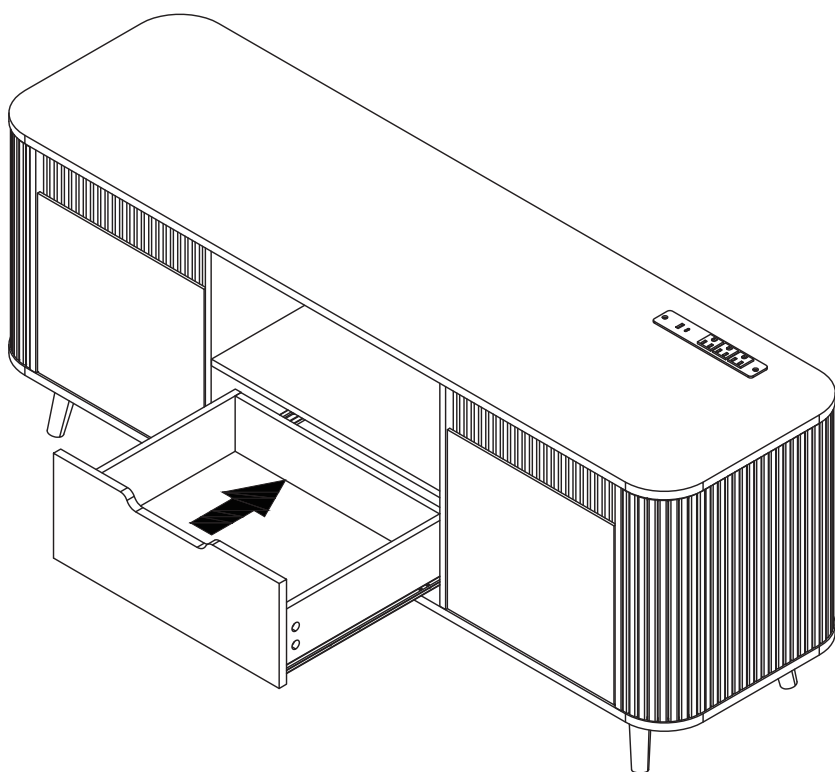
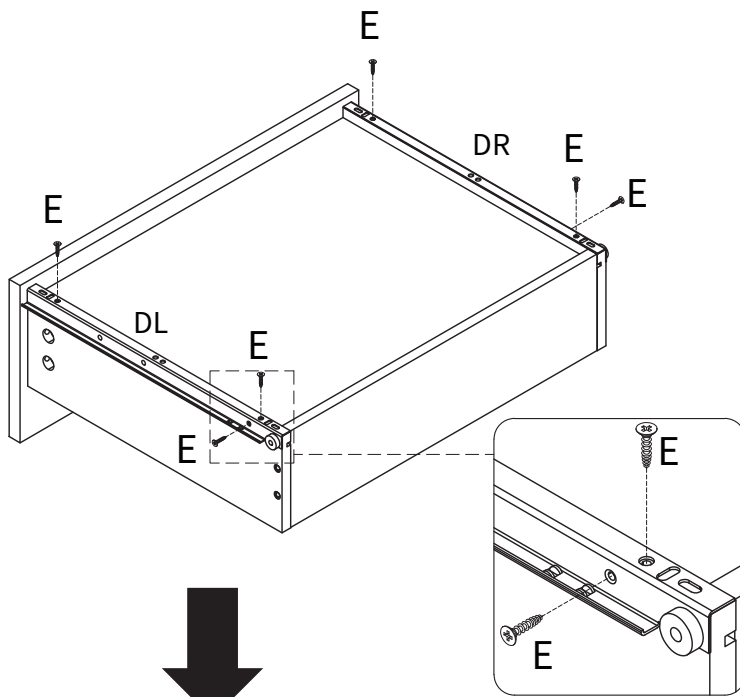
Assembly Instructions

Step 18



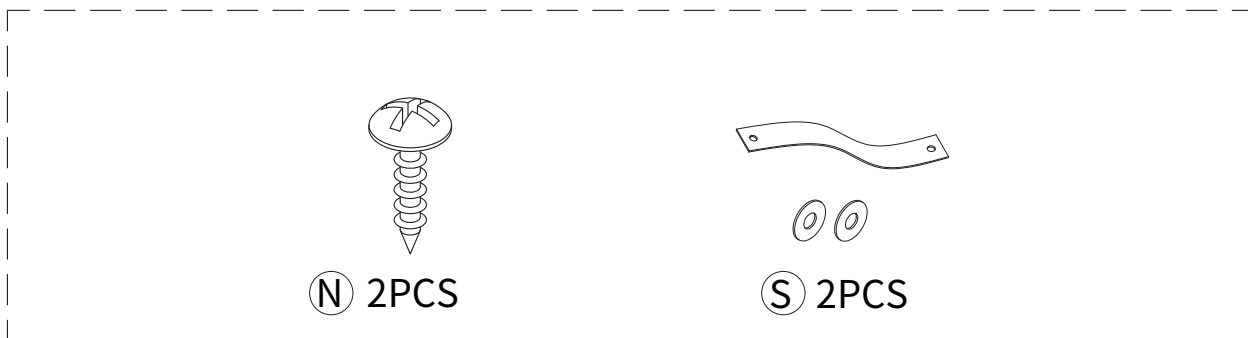
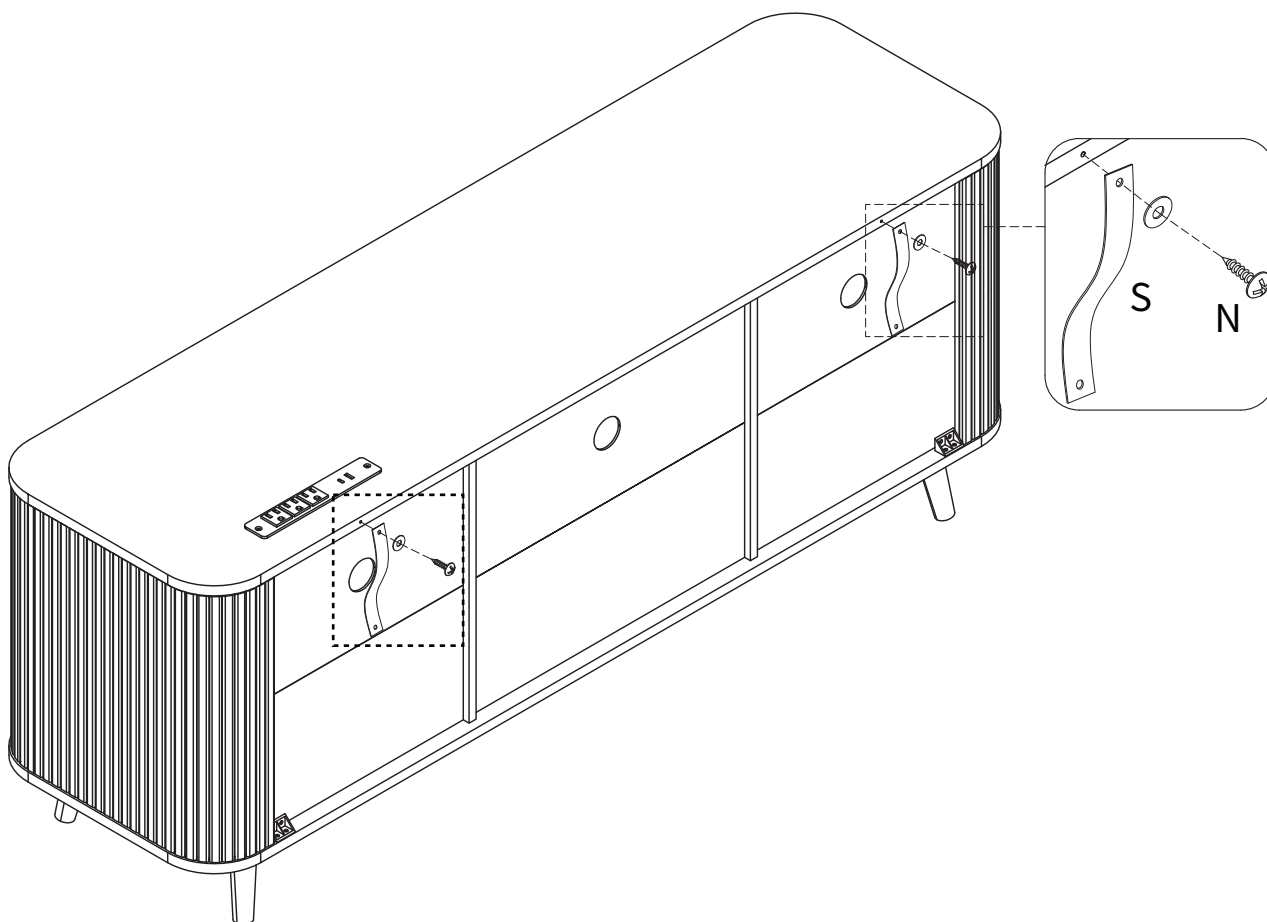
Assembly Instructions

Step 19



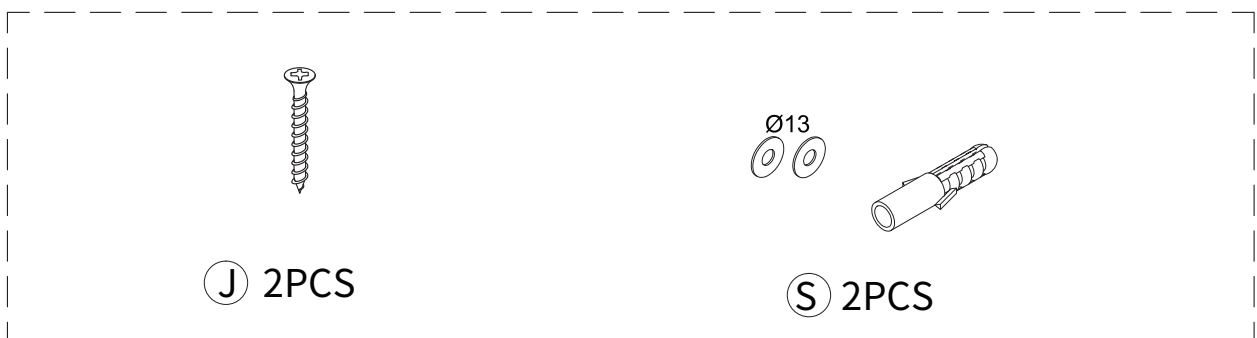
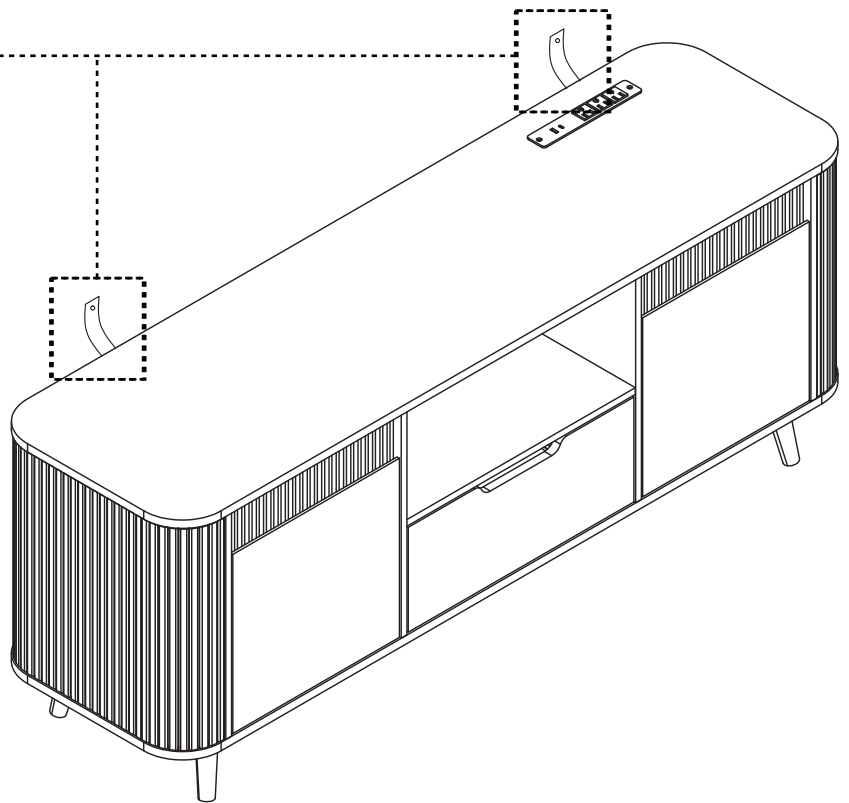
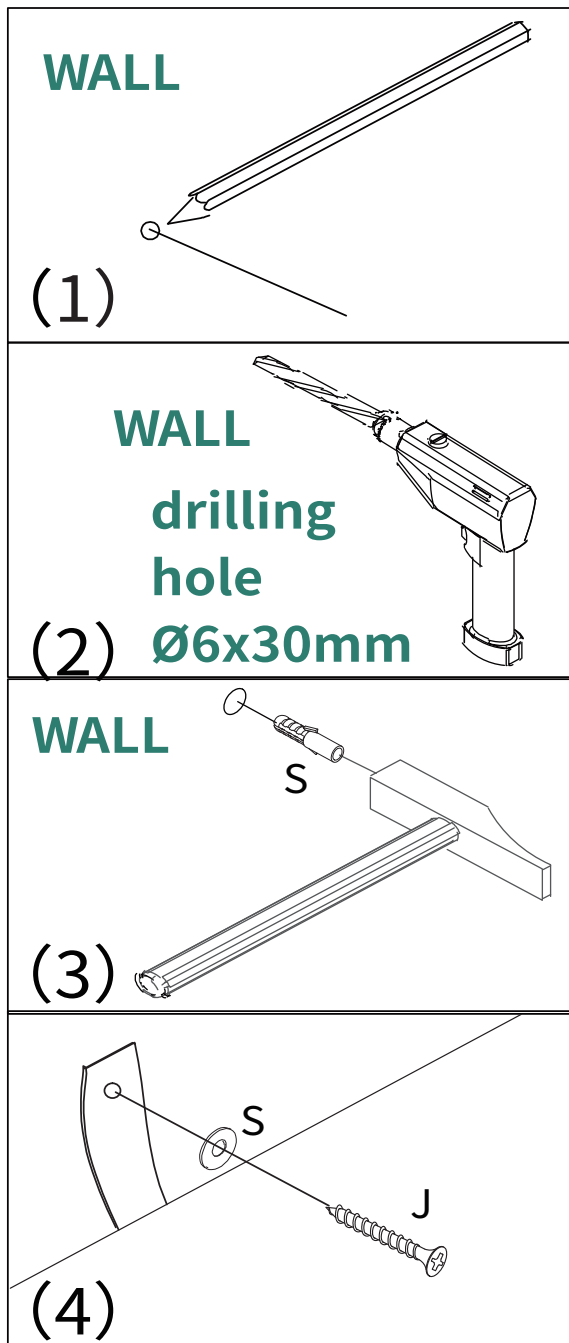
Assembly Instructions

Step 20




Assembly Instructions

Step 21



Problems You May Encounter

PROBLEMS	SOLUTIONS
Non-human caused damage during usage.	Please Keep the product and send us photos of it. We will ascertain the cause of the product damage within 48 hours and provide a satisfactory solution.
Mismatch of screw hole positions between components.	<ol style="list-style-type: none"> 1. Please tighten the screws on the board by 70%, do not tighten completely. 2. Adjust the direction of the component to check that the wrong hole position has not been selected.
Product is unstable after being assembled.	<ol style="list-style-type: none"> 1. Check if the screws are tightened. 2. Read through out the manual, check are there any parts installed incorrectly or missing assembled.
Any missing or damaged components.	To solve the problem. We are committed to providing you with Free component shipping and replacement
<p>More problems or the above problems could not be solved.</p>	 <p>Contact us, We will support you!</p>