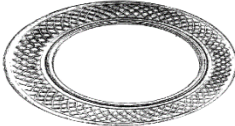
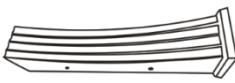



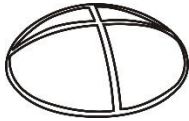







Classy Home

32" Round Fire Pit Table

Please check all packing material carefully before discarding, as some parts may be encased in the packing material.

Part Listing

Part List	Description	Qty.	Drawings
A	Top Frame	1	
B	Leg	4	
C	Frame Support Part	4	
D	Log Grate	1	
E	Fire Bowl	1	
F	Mesh Lid	1	
G	Lid Ring with Nut	1	
H	Bolt (M6x8mm)	20	
I	Poker	1	
J	Allen Wrench	1	
K	PVC Cover	1	



Special Warnings

- Check local bylaws before using the fire pit.
- This fire pit is intended for Outdoor Use Only! DO NOT use on wooden decks.
- This fire pit is intended to burn Wood Logs Only! DO NOT burn coal, leaves or other combustible materials in the fire pit.
- NOT for use by children. Keep children and pets away from the fire pit.
- Fire pit is hot, use with caution. NEVER touch hot fire pit with bare hands.
- NEVER leave burning fire pit unattended and always extinguish fire completely before leaving the fire pit.
- Keep the fire pit at least 20 feet away from any flammable surface or dwelling.
- DO NOT use near flammable or combustible objects or materials.
- Only BBQ Grill(L) is intended for cooking. LOG GRATE is NOT intended for cooking and SHOULD NOT be used for this purpose.
- Always use gloves and protective glasses when loading the fire pit or extinguishing the fire.
- Have a fire extinguisher available near the fire pit in case of emergency.

Operation Instructions

- Place wood logs on grate and light with match. DO NOT overload logs.
- Please use Poker (provided) when handling.
- We do not recommend pouring water over the fire unless necessary. The fire should be allowed to expire on its own.

Care and Maintenance

This fire pit is a quality-built product and is made to last for many years. The frame structure of this unit is made of powder-coated steel extrusion and should resist rusting under normal use. Should rusting occur, we suggest using a steel brush on the affected area followed by a spray coating of high temperature anti-rust paint. For additional rust proofing of the bowl, grate and mesh lid we recommend that a coat of high temperature primer is applied before use.



WARNING!


- The use of alcohol, prescription or non-prescription drugs may impair the ability to properly assemble or safely operate this fire pit.
- When using this fire pit, exercise the same precautions you would with any open fire.
- Do not use this fire pit for indoor heating. Toxic carbon monoxide fumes can accumulate and cause asphyxiation or death.

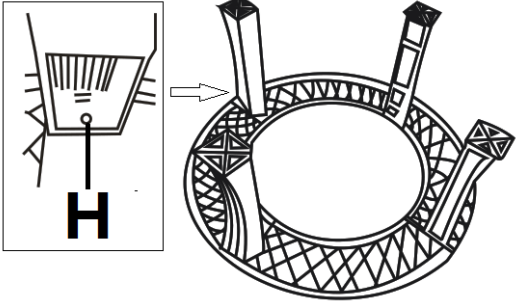
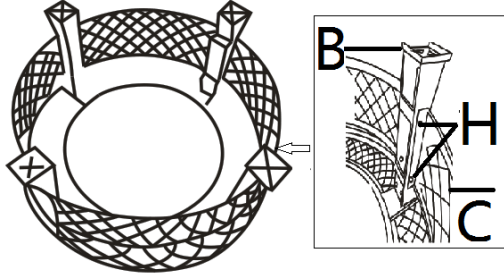
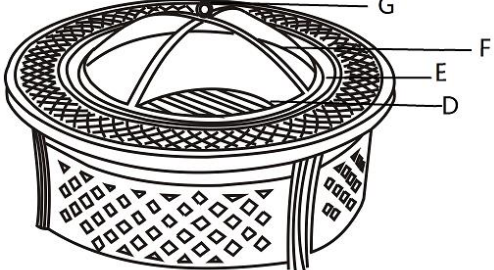


WARNING:

CHOKING HAZARD - Small parts. Not for children under 3 yrs.

Assembly Instruction

 DO NOT over tighten hardware

<p>Step 1 Place parts on a flat surface, Assemble Legs (B) to Top Frame (A) with Bolts (H). Repeat the same steps for other legs. Hand Tighten!</p>	
<p>Step 2 Attach the Frame Support Parts (C) to Legs (B) by using Bolts (H). Tighten all hardware accordingly with an Allen Wrench (J) (provided) and adjustable wrench until all pieces fit together securely. Turn the assembled fire pit frame over so that it sits securely (legs down) on a flat surface.</p>	
<p>Step 3 Place Fire Bowl (E) in the center of Top Frame (A) and put Log Grate (D) in the Fire Bowl (E). Mount Lid Ring (G) on the Mesh Lid (F), then place the assembled Mesh Lid over the Fire Bowl (E). For BBQ use: Put the BBQ Grill(L) on the Fire Bowl(E).</p>	

©2022 Three-Wins Imports, LLC
Phoenixville, PA 19460
All rights reserved.
Made In China

Questions?
Contact customer service at
1-888-206-4332
csr@threewinsimports.com

ITEM No.: HFP-R101 V1.0