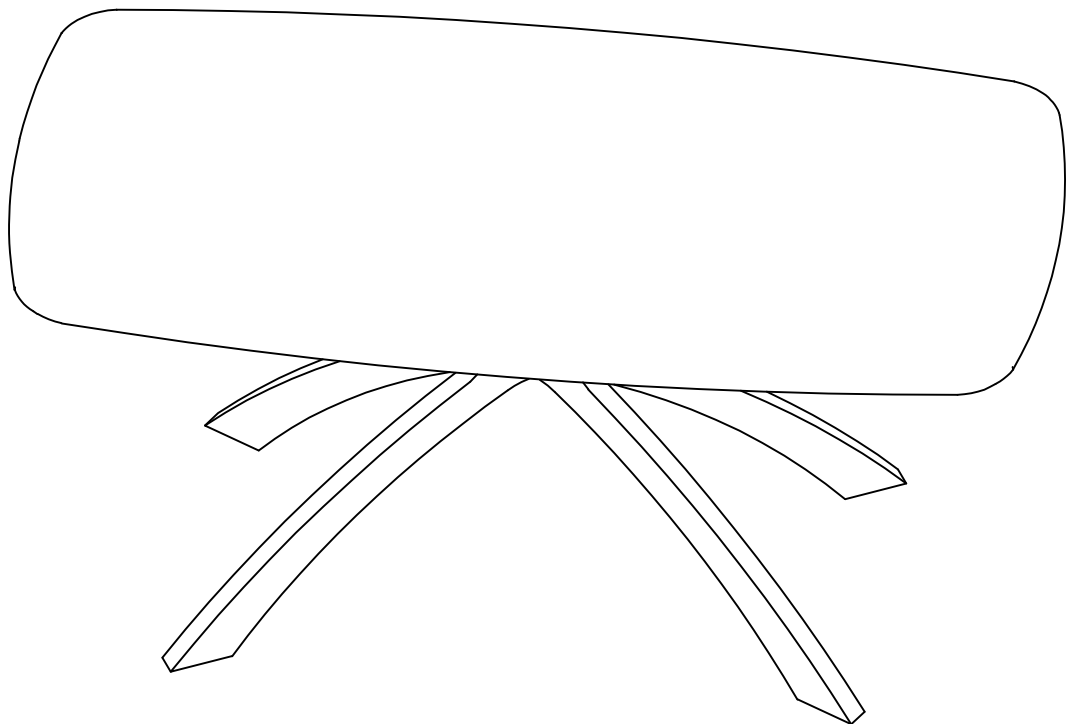
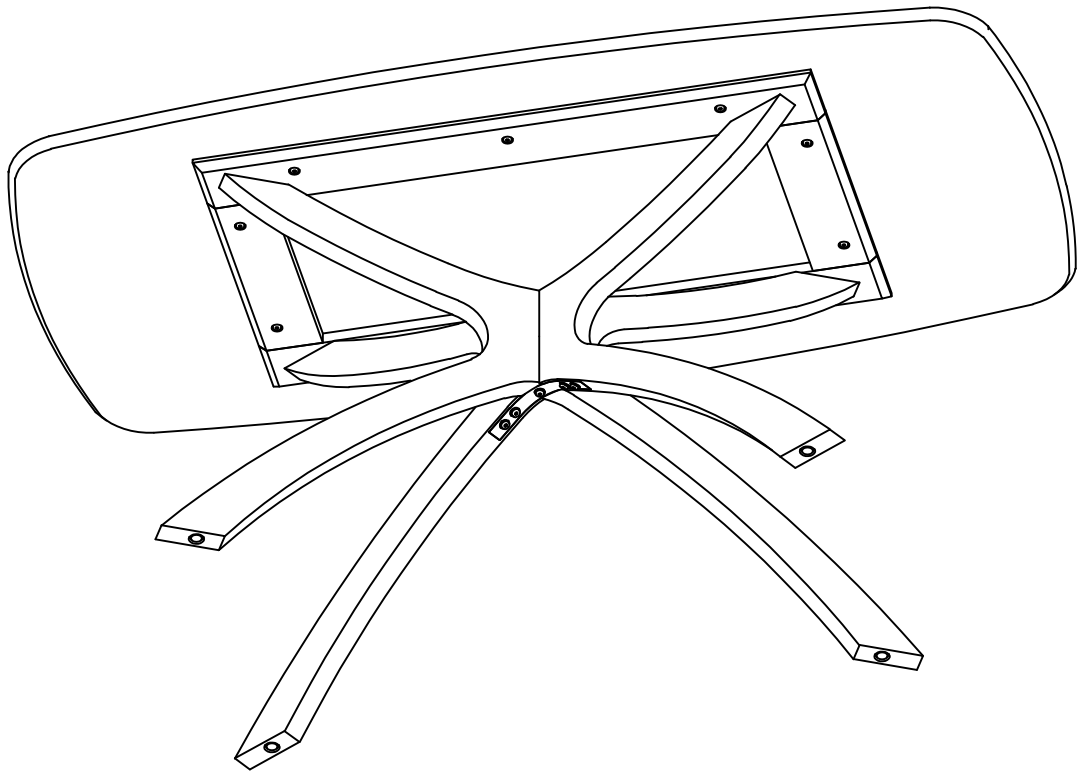
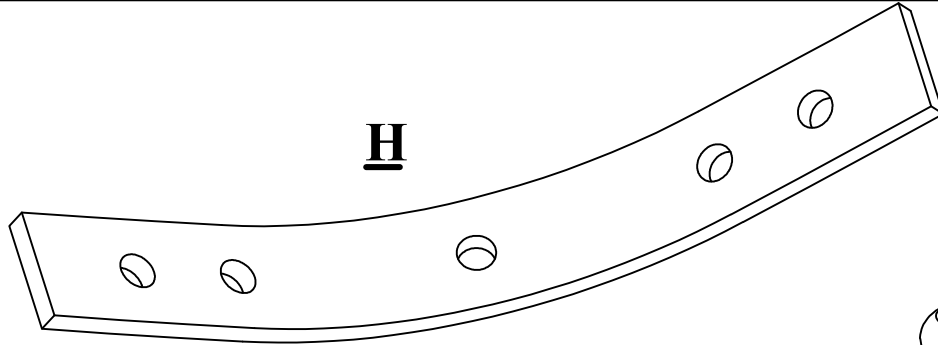
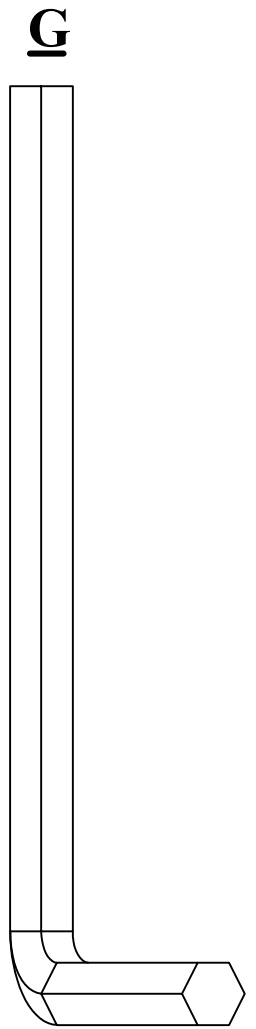


ASSEMBLY INSTRUCTIONS

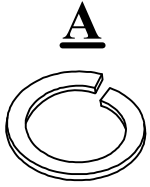




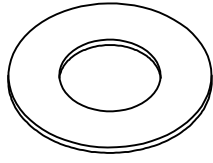
H



G

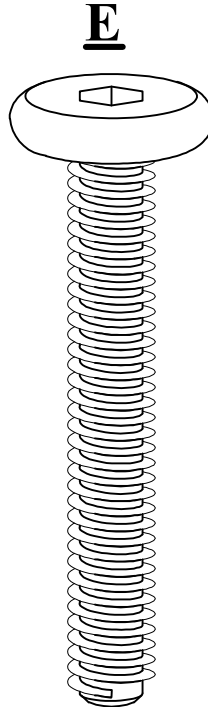


A

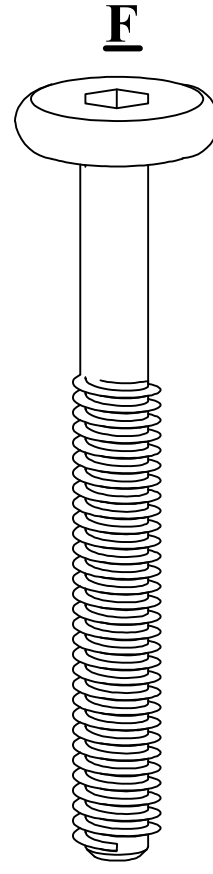


B

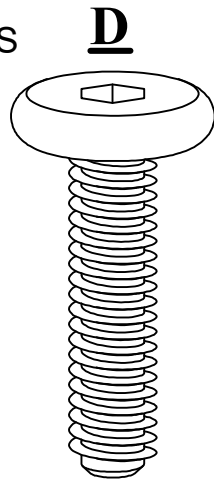
M6x10: 14PCS M6x13: 14PCS



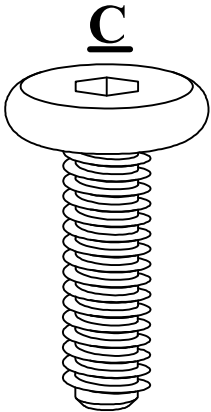
E



F



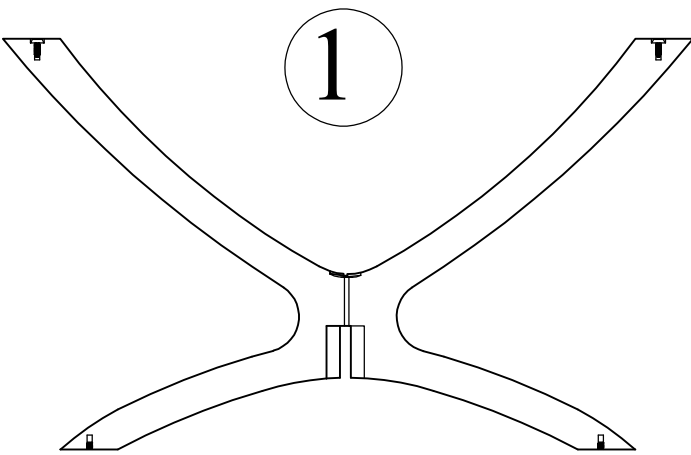
D



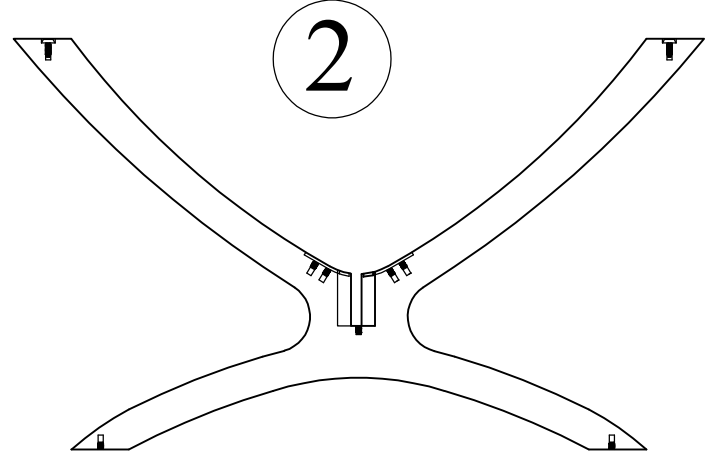
C

M6x25: 4PCS

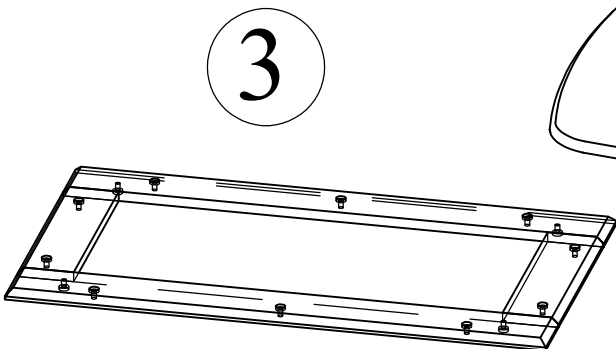
M6x30: 10PCS M6x40: 4PCS M6x110: 1PCS Allen Wrench: 1PC



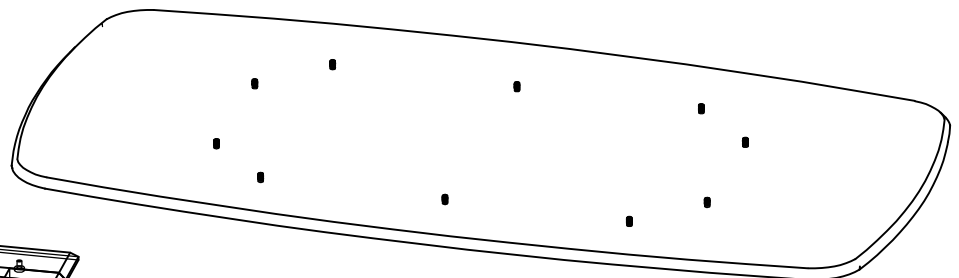
1



2

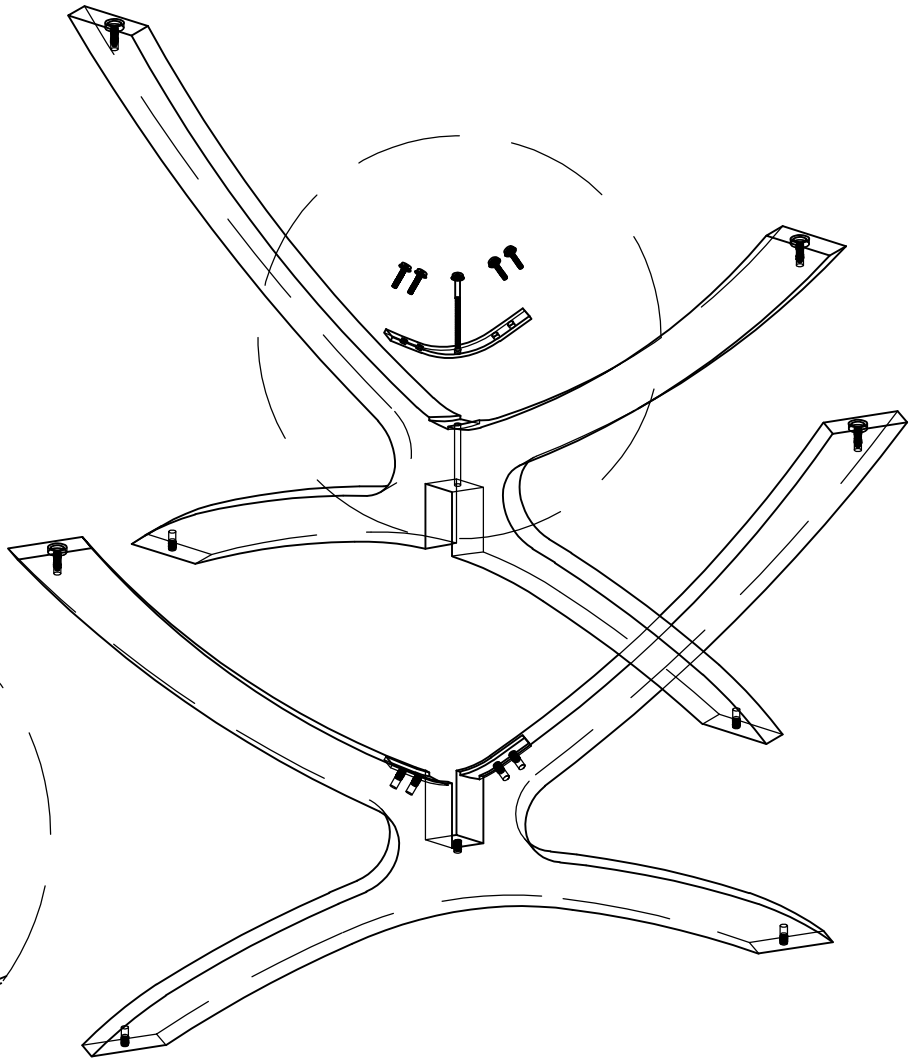
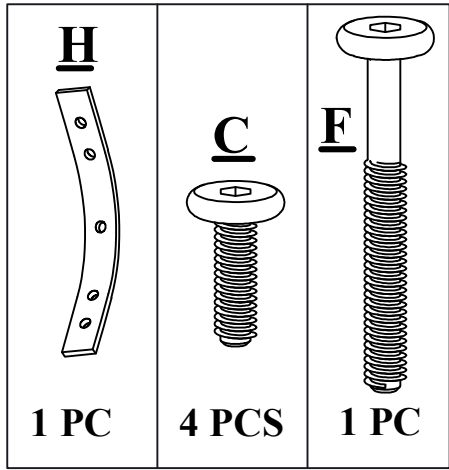


3



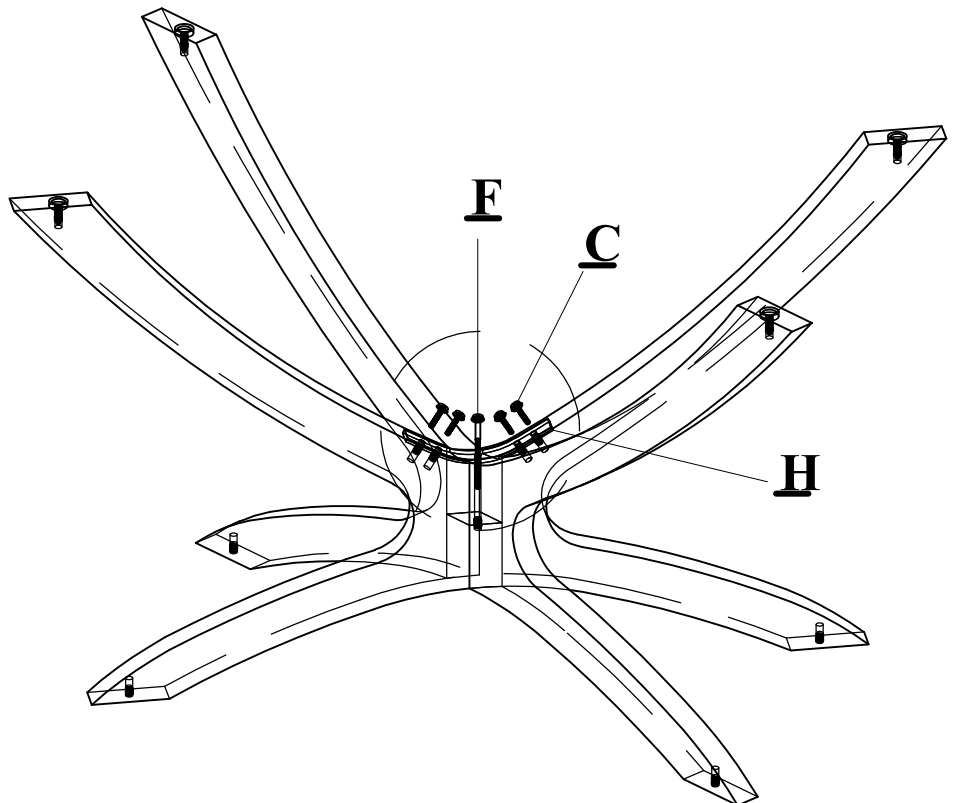
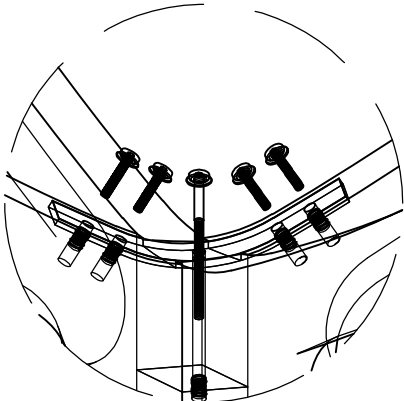
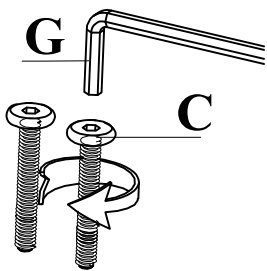
4

01



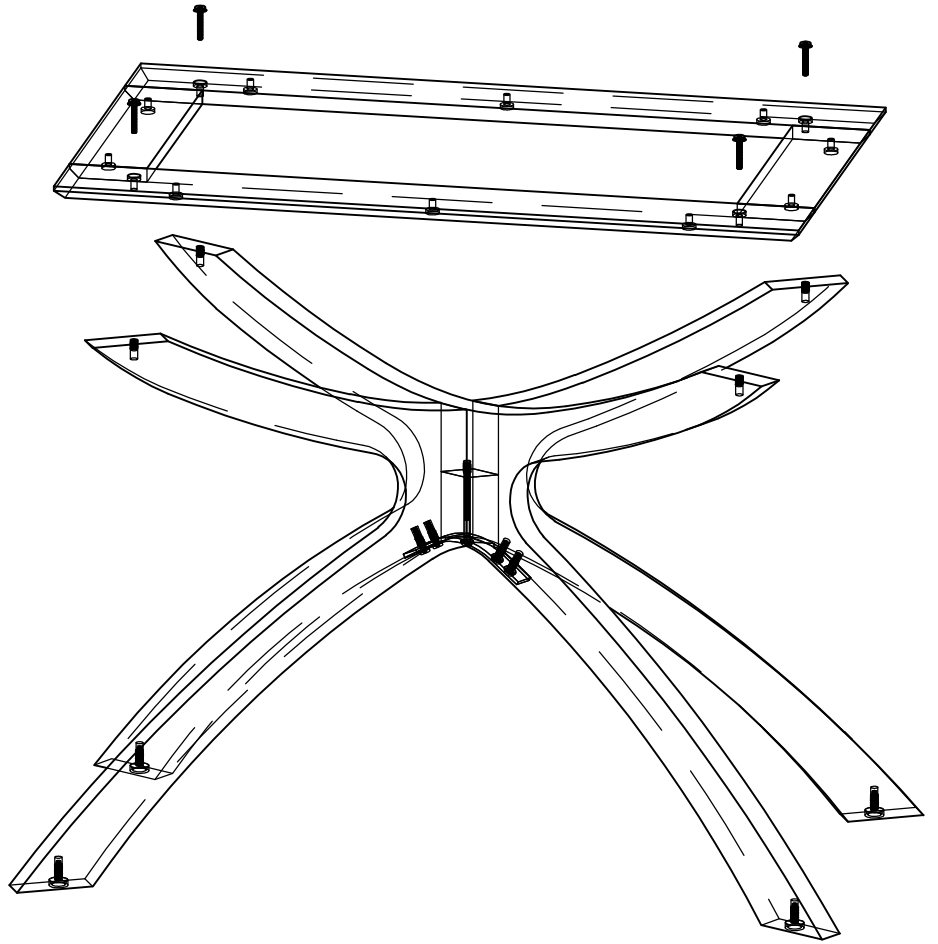
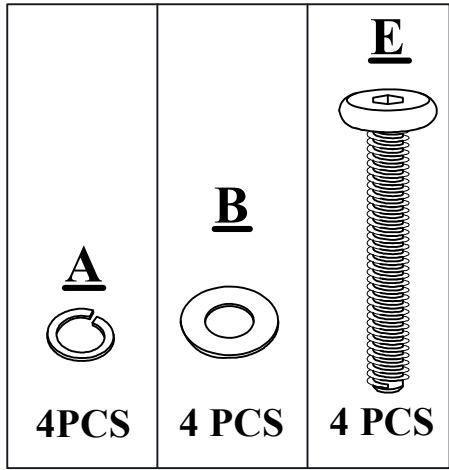
DO NOT TIGHTEN BOLT COMPLETELY.

02



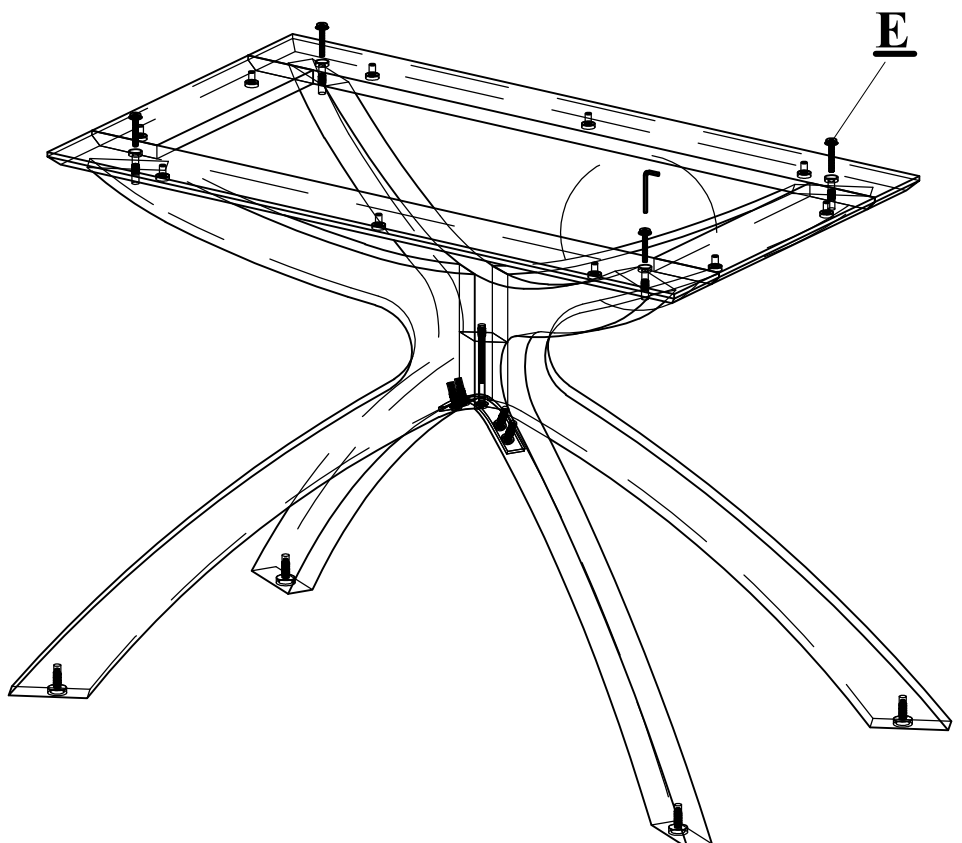
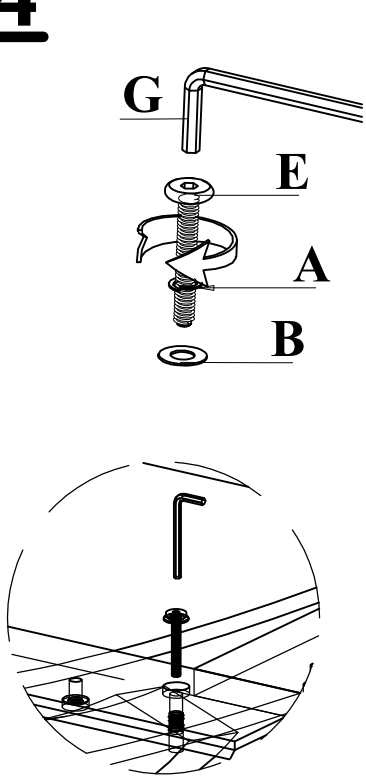
DO NOT TIGHTEN BOLT COMPLETELY.

03



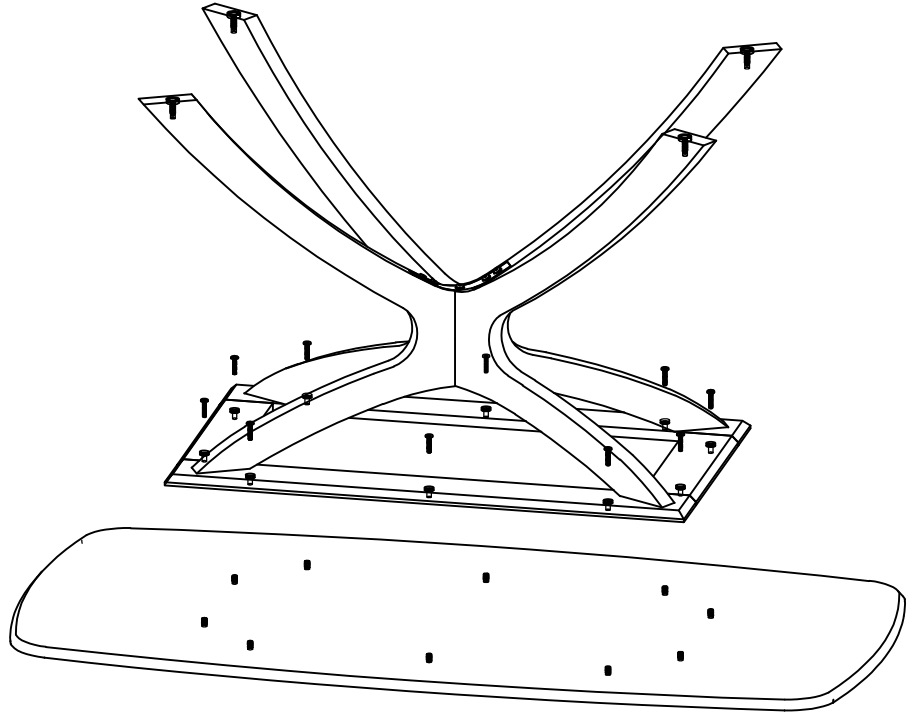
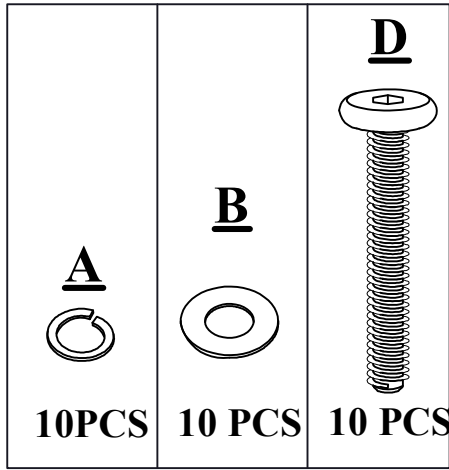
DO NOT TIGHTEN BOLT COMPLETELY.

04



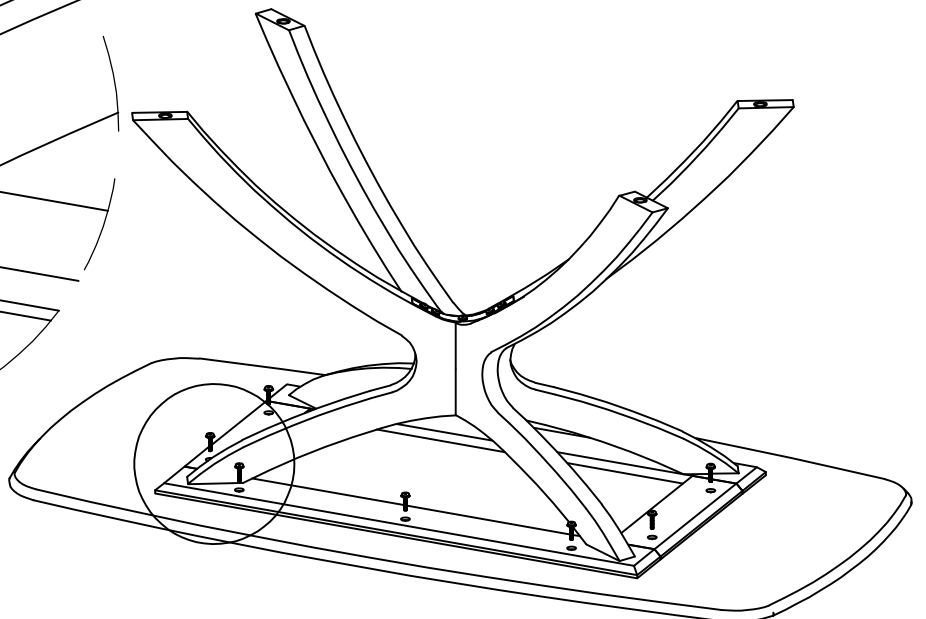
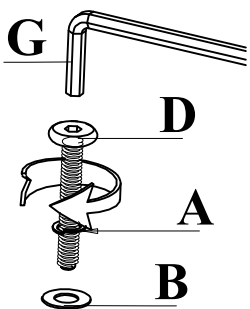
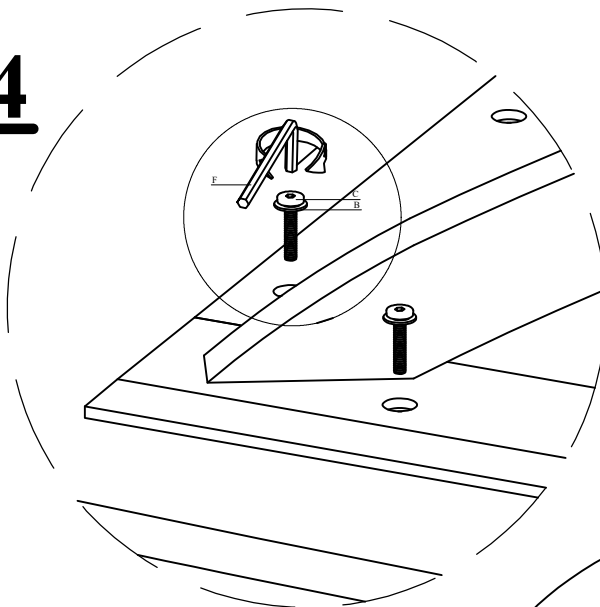
DO NOT TIGHTEN BOLT COMPLETELY.

05



DO NOT TIGHTEN BOLT COMPLETELY.

04



DO NOT TIGHTEN BOLT COMPLETELY.