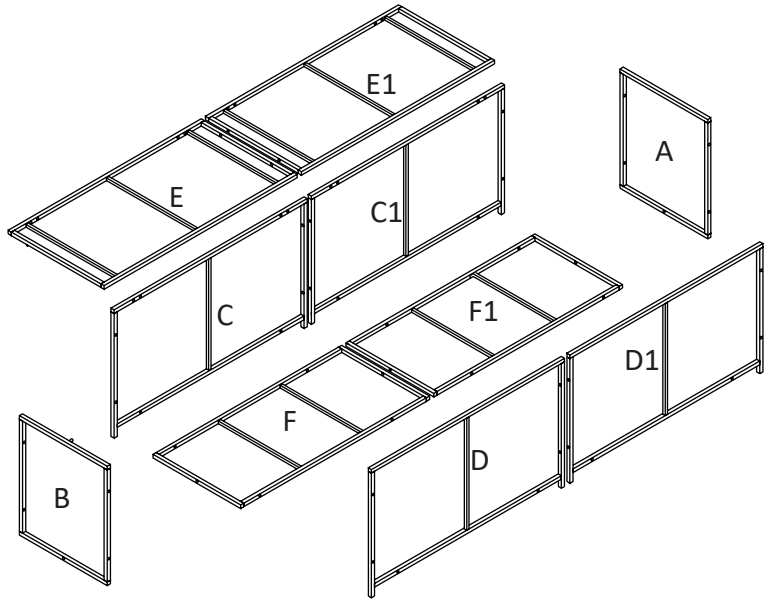
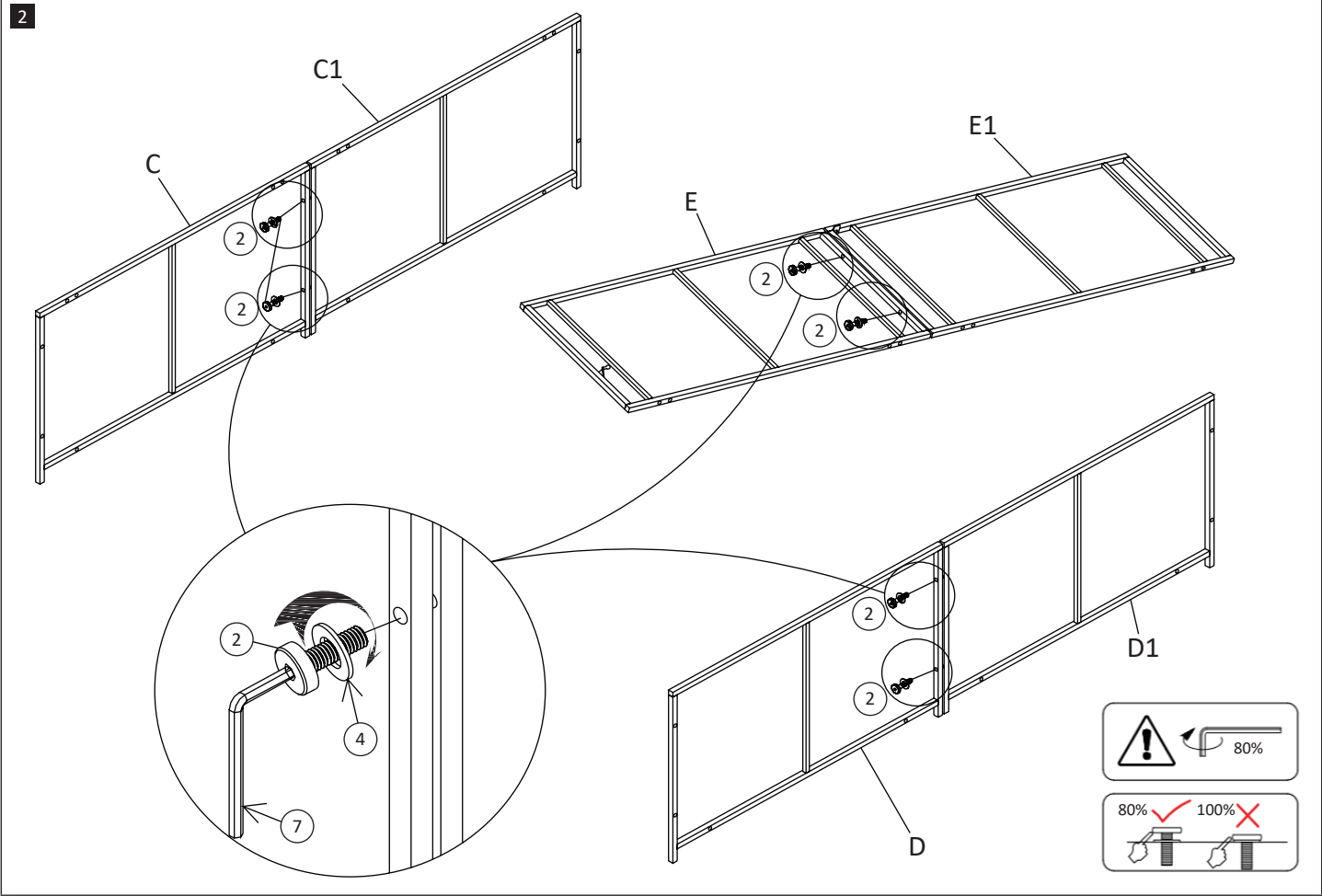
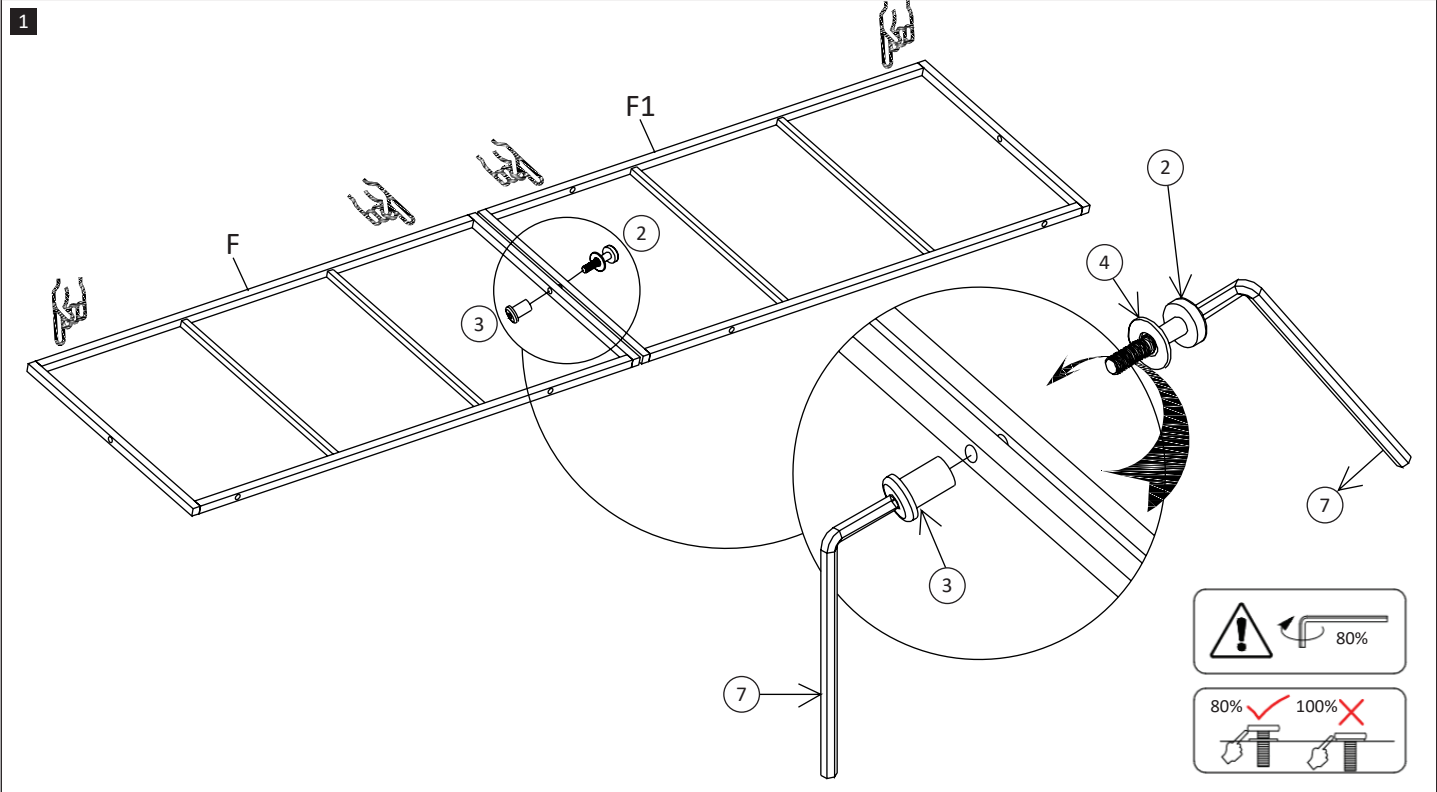
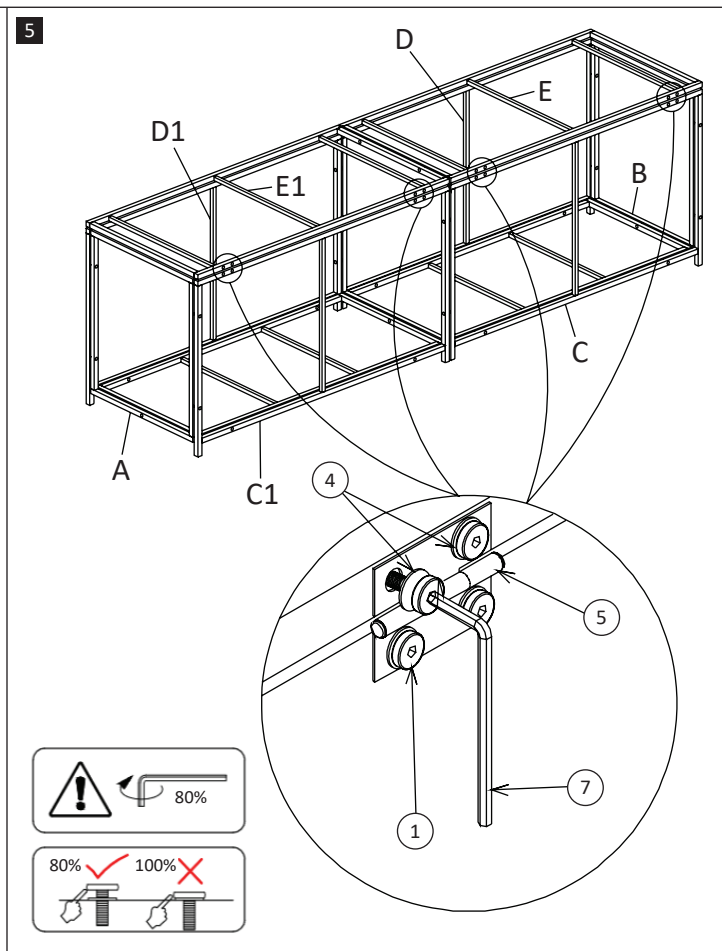
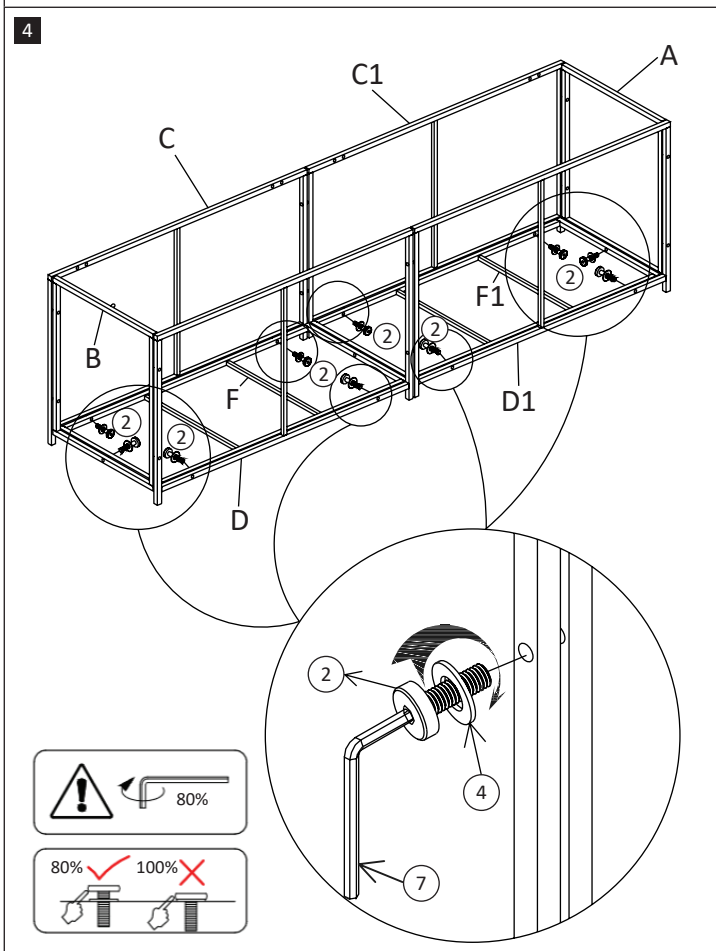
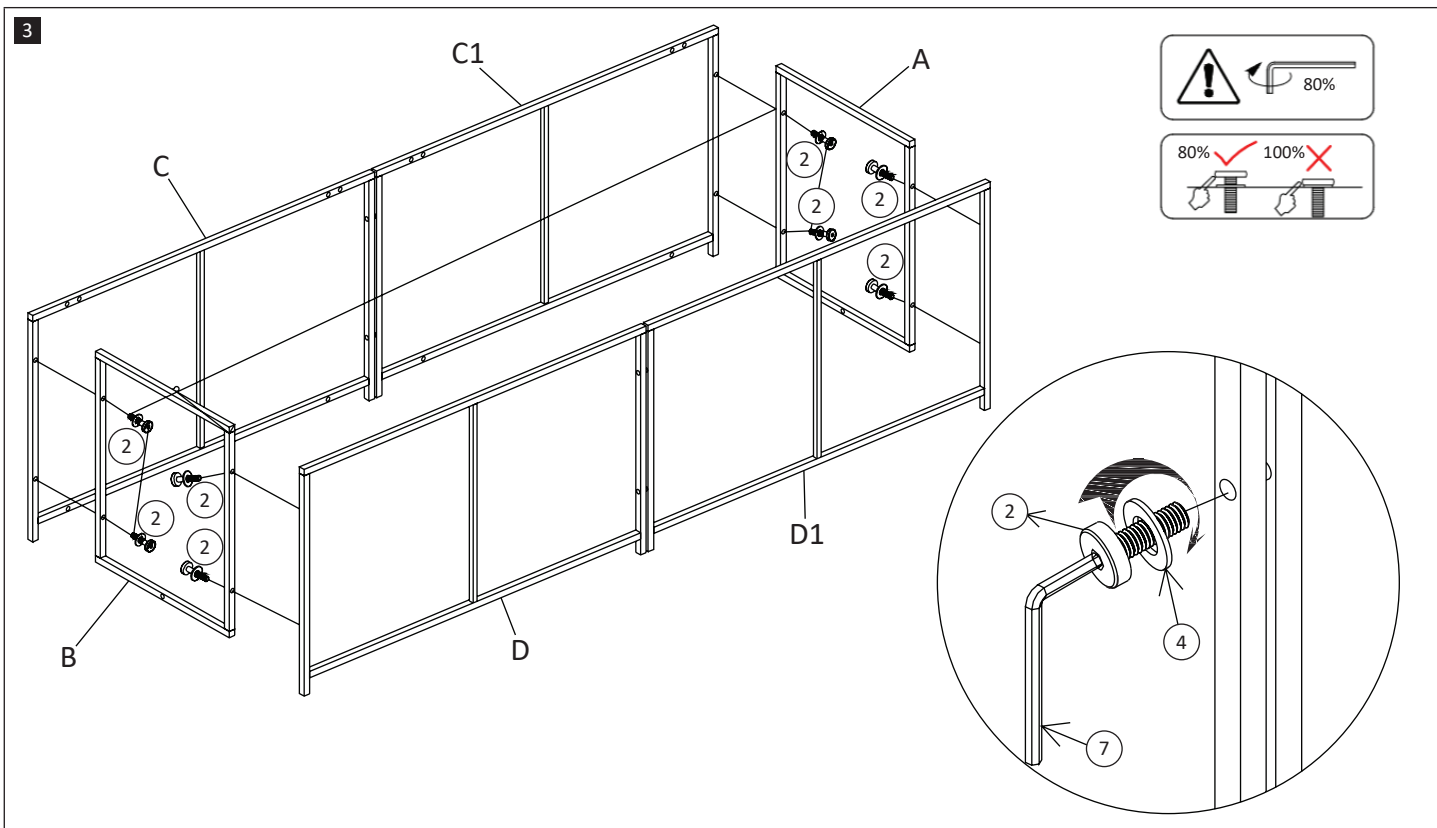


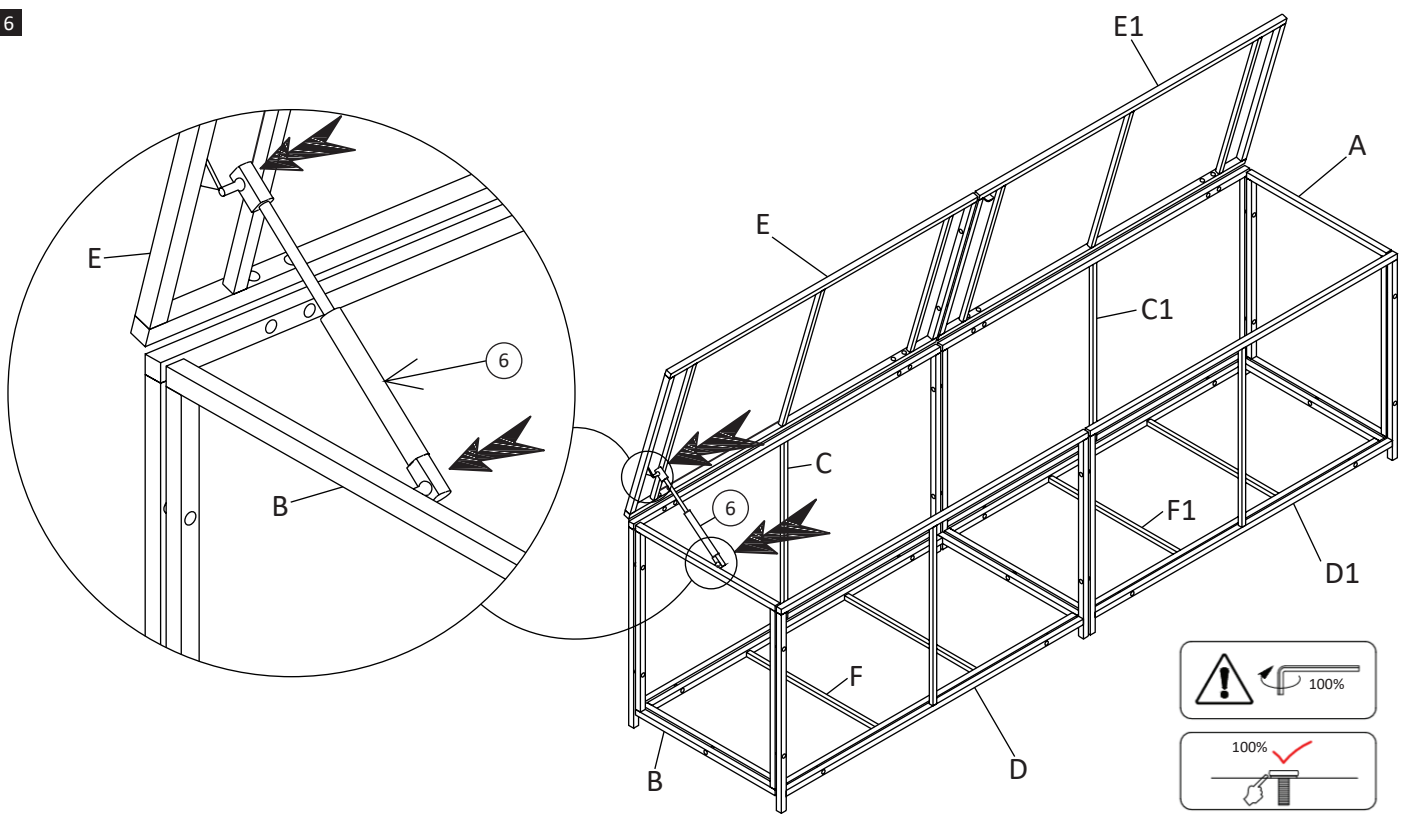
Ax1 	Bx1 	Cx1 	C1x1 
Dx1 	D1x1 	Ex1 	E1x1 
Fx1 	F1x1 	① x16  M6x $\frac{15}{0.6}$	② x25  M6x $\frac{30}{1.2}$
③ x1  M6x $\frac{15}{0.6}$	④ x41  M6x $\frac{16 \times 1.0}{0.6 \times 0.04}$	⑤ x4 	⑥ x1 
⑦ x2  M4	⑧ x1 	 mm inch x2	







6



7

