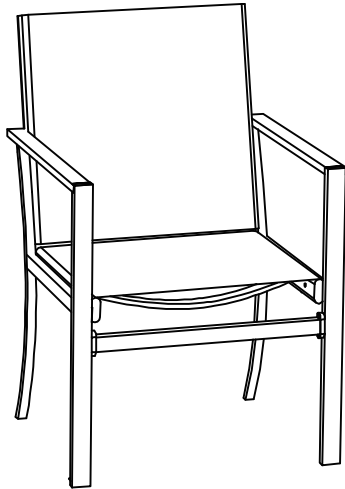


# DINING CHAIR ASSEMBLY MANUAL




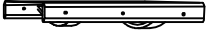
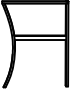
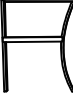
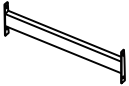


## ASSEMBLY INSTRUCTIONS



- Prior to assembly, make sure you lay out and identify all the parts listed below in the parts list.
- Tighten all nuts and bolts securely. All bolts should be hand tightened before use. Never use power tools or excessive force during assembly and tightening of bolts.

### Warning:

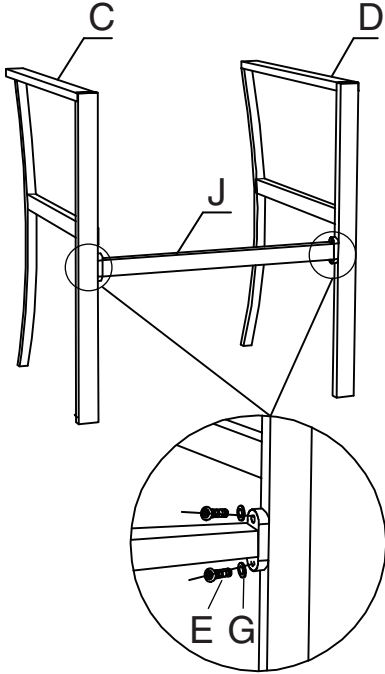
1. Max loading capacity of the chair:300 Lbs.

# Part list

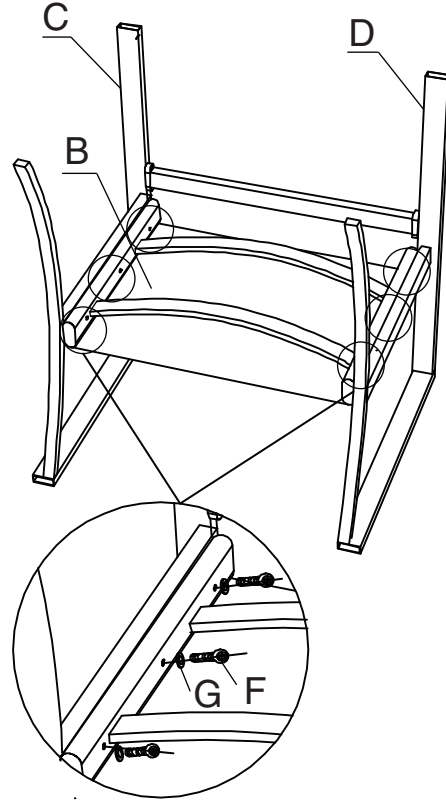
Part	Description	Qty
A	 Back	2
B	 Seat	2
C	 Left Leg	2
D	 Right Leg	2
J	 Leg connector	2
E	 M6*16 Bolt	4
F	 M6*28 Bolt	10

Part	Description	Qty
G	 M6 Washer	14
H	 Allen key	2

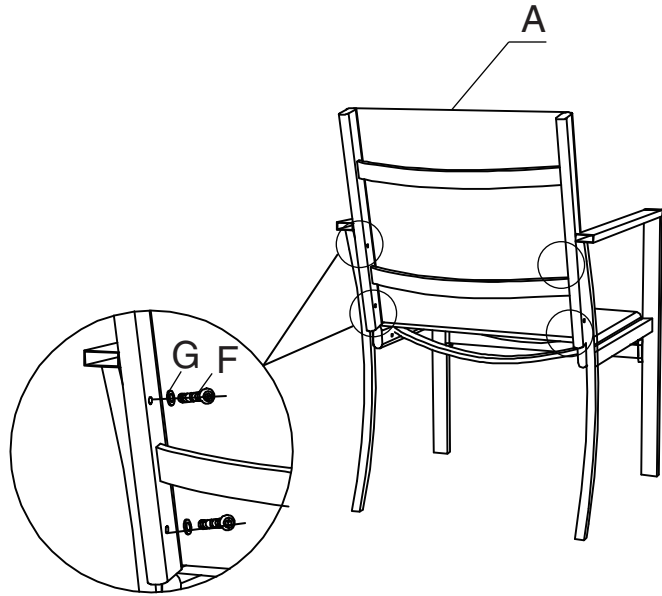
- 1.** Connect Leg Connector (Part J) Left Leg (Part C) & Right Leg (Part D) using Bolt (E) and washer (G) as shown in diagram.



- 2.** Connect Seat (Part B) with Legs (Part C&Part D) using Bolt (F) with Washer (G) as shown in diagram.



- 3.** Link Back (Part A) with Legs (Part C&Part D) using Bolt (F) with Washer(G) as shown in diagram.



- 4.** Make sure all bolts are fixed tightly before using on the level ground.

