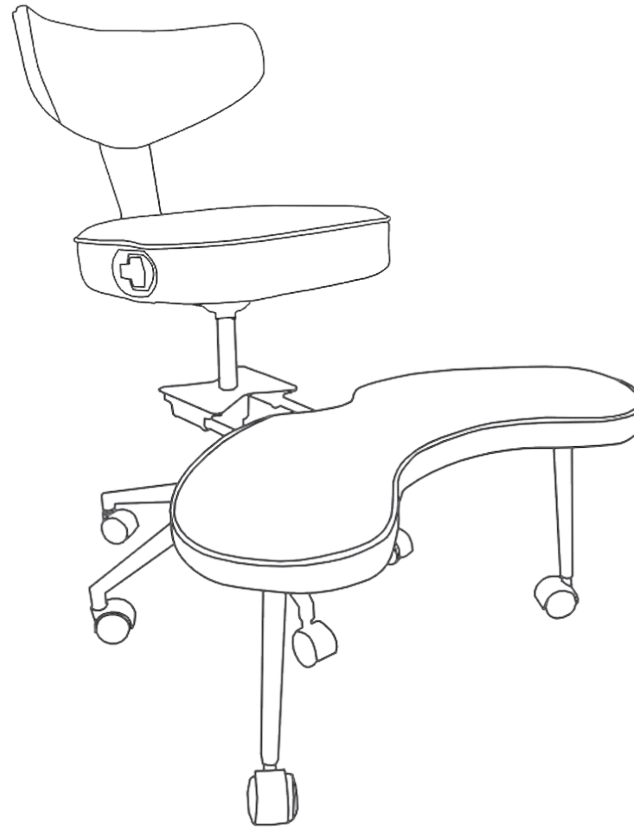
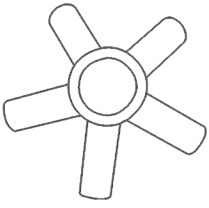

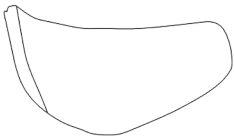

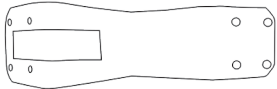
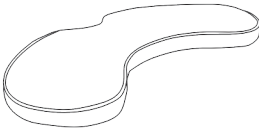


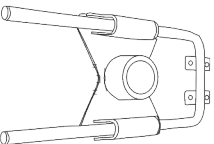
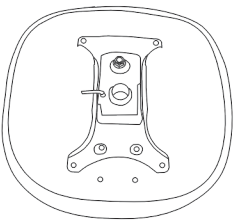




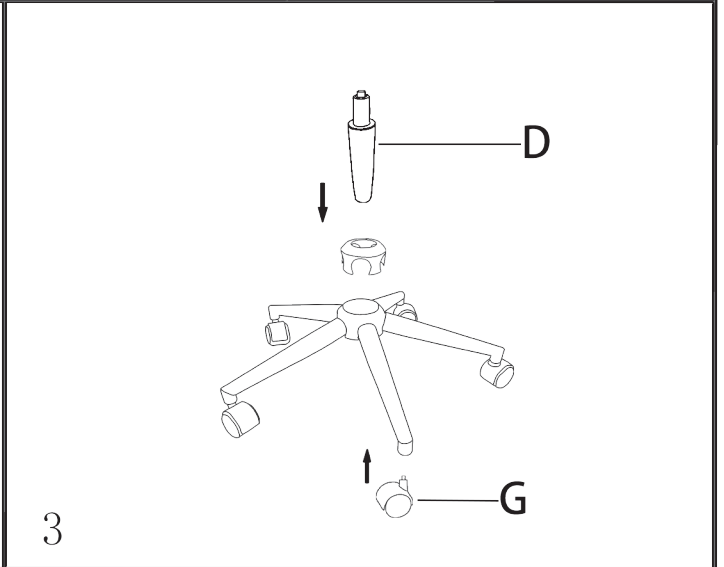
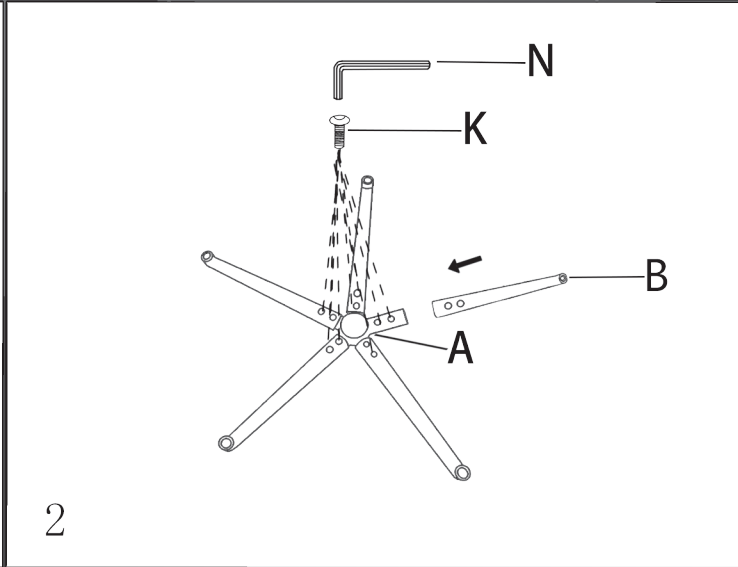
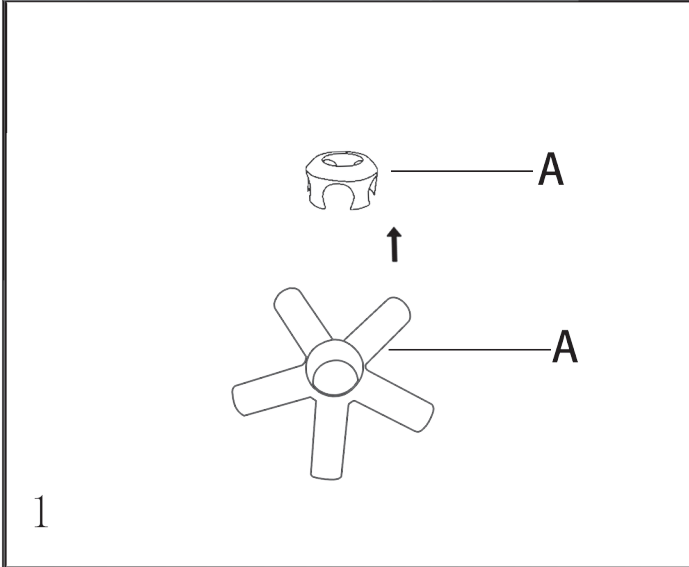


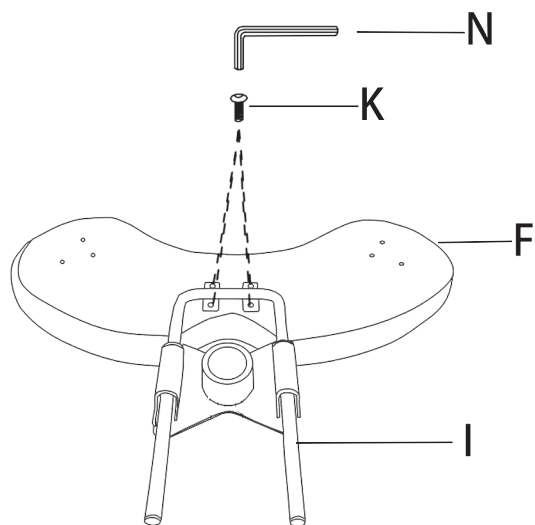
INSTRUCTION



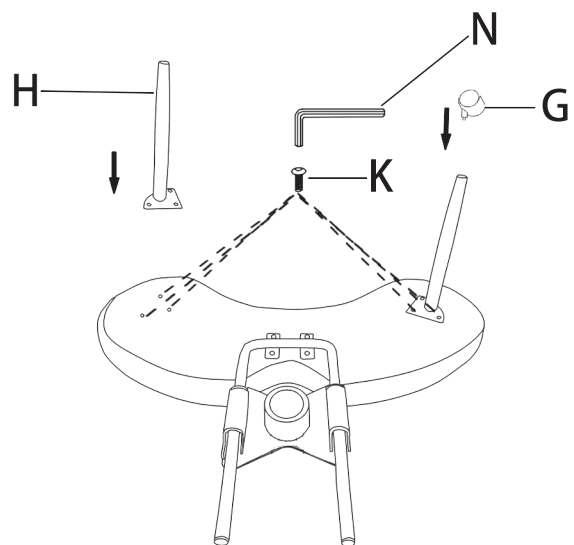
- I .Ensure that all parts and hardware are available before beginning assembly.
- II .Follow each step carefully to ensure the proper assembly of this product.

<p>A*1</p> 	<p>B*5</p> 	<p>C*1</p> 	<p>D*1</p> 	<p>E*1</p> 
<p>F*1</p> 	<p>G*7</p> 	<p>H*2</p> 	<p>I*1</p> 	<p>J*1</p> 
<p>K*20 +1</p>  <p>M6*16</p>	<p>L*4 +1</p>  <p>M6*25</p>	<p>M*4 +1</p>  <p>M6*25</p>	<p>N*1</p> 	

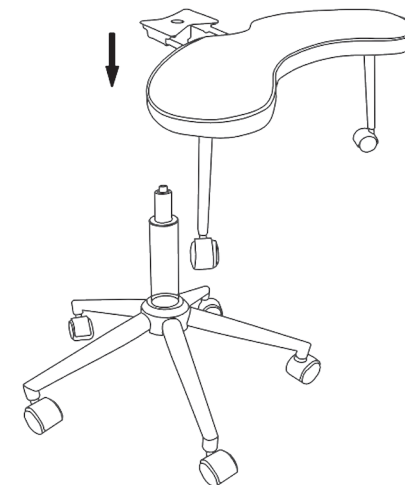




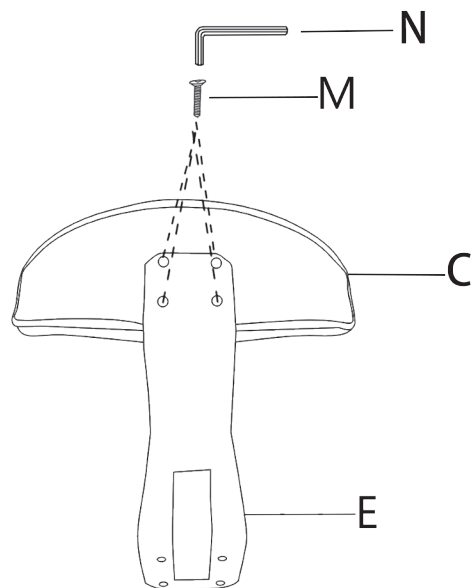
4



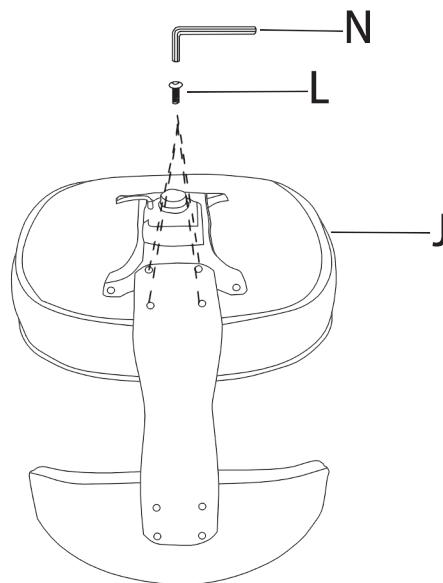
5



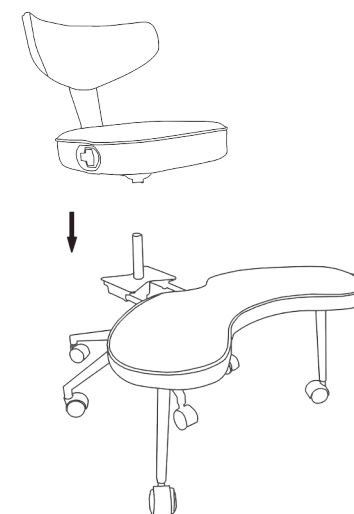
6



7



8



9