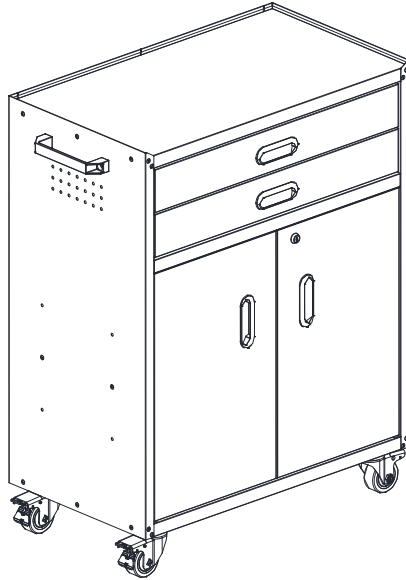


# Two Drawer Double Door Metal Cabinet (NV081-CYZ) Instruction Manual



Installation guide video



Customer Service Email: [help@EverythingSupport.com](mailto:help@EverythingSupport.com)

Toll-free: (855)208-0668(MON-FRI 9:00 am-6:00 pm Eastern Time)

---

## **WARNING!**

1. Do not allow children to climb on the unit.
2. Keep children and pets away during assembly.
3. To avoid the danger of suffocation, always keep plastic bags away from children and pets.

## **ASSEMBLY PRECAUTIONS**

1. Please assemble the product in strict accordance with the instructions. Incorrect assembly could be hazardous.
2. Please wear safety goggles and work gloves properly during assembly.
3. Do not try to assemble the product when feeling tired or when under the influence of alcohol, drugs or medication.
4. Load bearing capacity and other product parameters are applied to the properly and completely assembled product only.
5. Separate and count all parts and hardware.
6. This product comes with a corresponding screwdriver tool; but it is recommended to use your own power tools to install it.using a power tool during installation will be more efficient and time-saving.
7. If using power tools, please be careful to slow down and stop when needed.
8. Two people are required for assembly.
9. Follow the intended uses only. Do not sit or stand on the above.

## **INSTRUCTIONS**



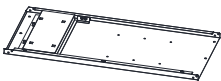






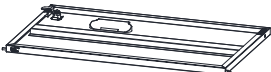
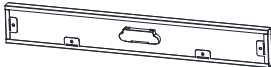
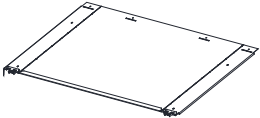



Thank you very much for choosing this metal cabinet.Please read all of the instructions before using it. The information will help you achieve the best possible results.

### **Attention:**

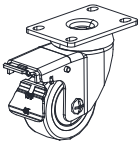
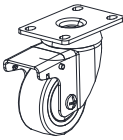
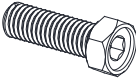

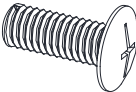



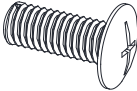

For additional information regarding the parts listed above, please refer to the Assembly Diagram of this manual. Unwrap and separate all parts in a clear work area.

## Part list

- Carefully remove all the parts from the carton and place them individually on a soft cloth to prevent scratches or other damage.
- Carefully and strictly follow these assembly&installation instructions to ensure a completed product as designed.
- Do not tighten all the screws until each part is properly assembled.

<p><b>A</b></p>  <p>Bottom panel x 1</p>	<p><b>B</b></p>  <p>Left side panel x 1</p>	<p><b>C</b></p>  <p>Right side panel x 1</p>
<p><b>D</b></p>  <p>Top panel x 1</p>	<p><b>E</b></p>  <p>Back panel x 2</p>	<p><b>F</b></p>  <p>Door stop strip 1 x 1</p>
<p><b>G</b></p>  <p>Door stop strip 2 x 1</p>	<p><b>H</b></p>  <p>Shelf x1</p>	<p><b>I</b></p>  <p>Left door panel x 1</p>
<p><b>J</b></p>  <p>Right door panel x1</p>	<p><b>K</b></p>  <p>Drawer panel x 2</p>	<p><b>L</b></p>  <p>Drawer x 2</p>
<p><b>M</b></p>  <p>Drawer back cover x 2</p>	<p><b>N</b></p>  <p>Left slide rail back x 2</p>	<p><b>O</b></p>  <p>Right slide rail back x 2</p>

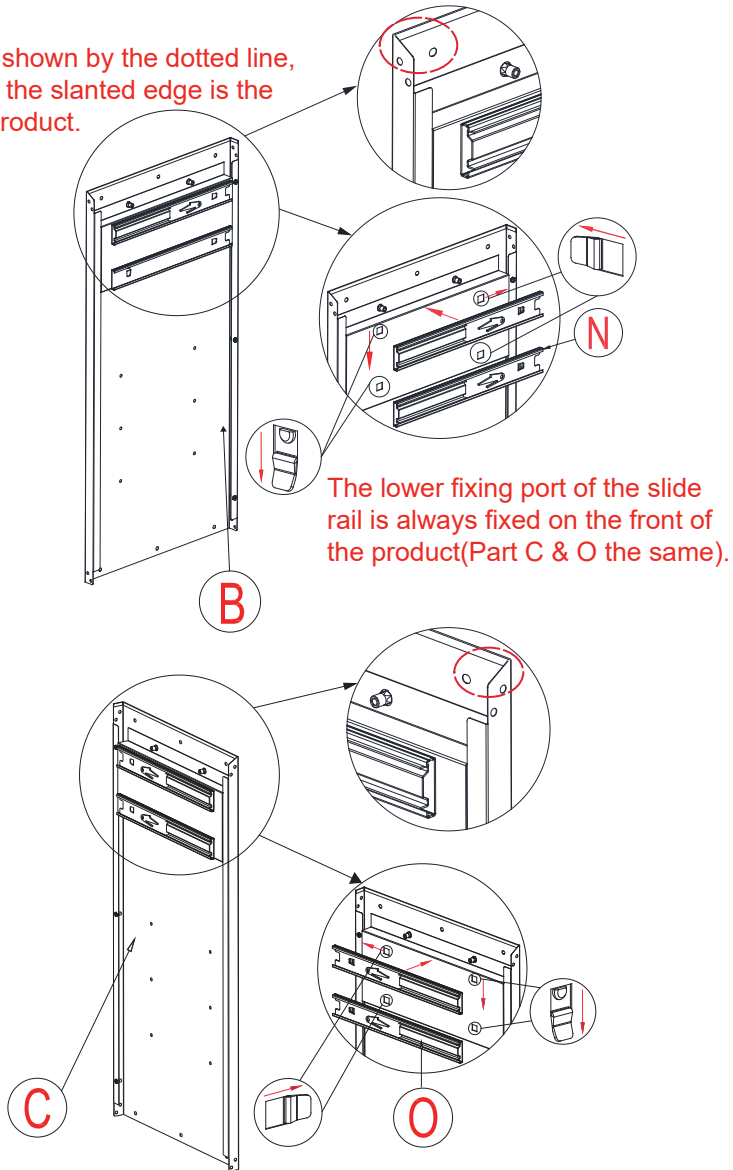
## Part list

<p>P</p>  <p>Casters with brakes x 2</p>	<p>Q</p>  <p>Brakeless casters x 2</p>	<p>R</p>  <p>Screw-M8*20 x 16</p>
<p>S</p>  <p>Flat washer x 16</p>	<p>T</p>  <p>Screw-M5*10 x 59</p>	<p>U</p>  <p>M5 Flange nut x 3</p>
<p>V</p>  <p>Screw-ST4.2*10 x 12</p>	<p>W</p>  <p>Handle x 1</p>	<p>X</p>  <p>Screw-M6*15 x 2</p>
<p>Y</p>  <p>Wrench x 1</p>		

## Installation

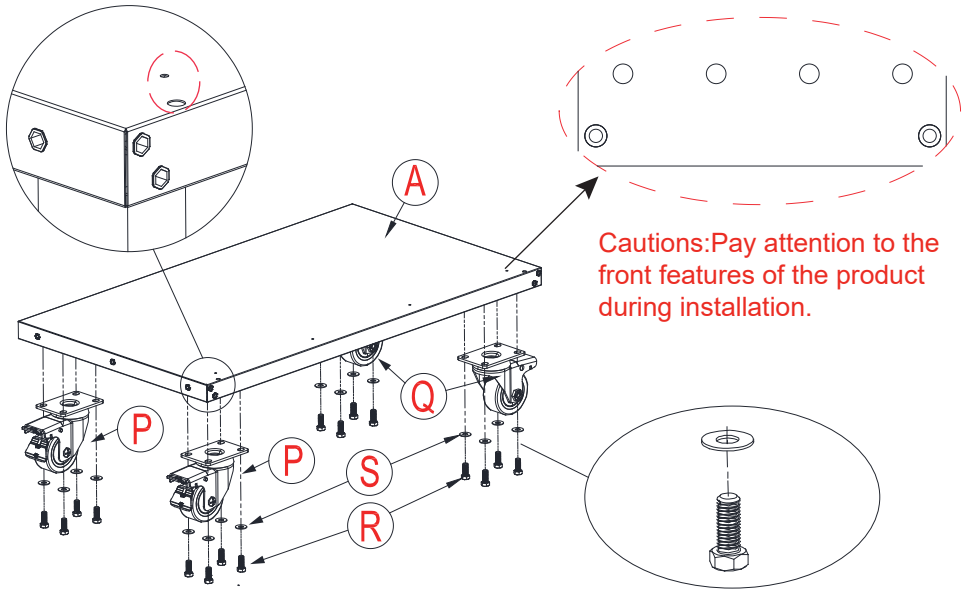
1 :Install the Slide rail back(Part N,Part O) into the side panel.

Cautions:As shown by the dotted line, the side with the slanted edge is the front of the product.

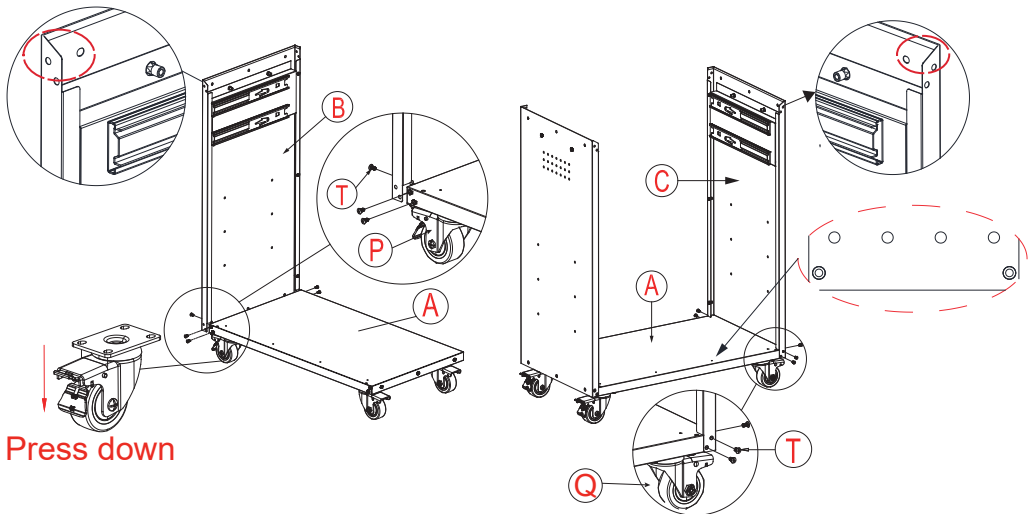


Cautions: After installation, the slide rails should be completely flush with the side panels. If they are not flush, please check that the slide rail clips are fully engaged.

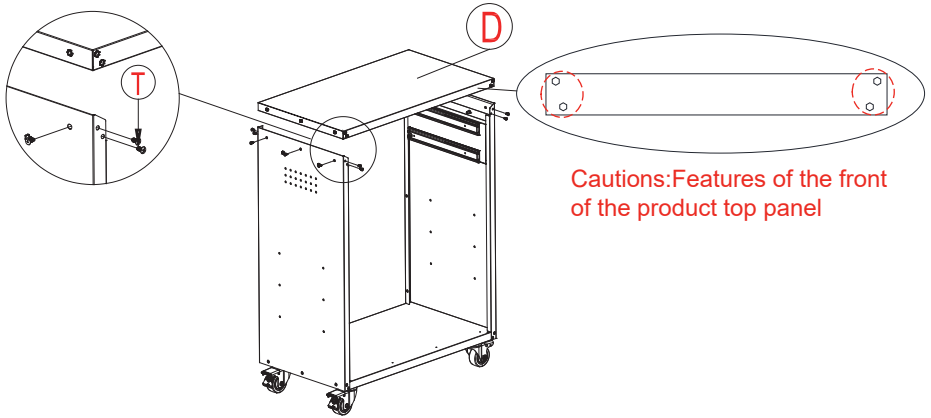
2 :Install Casters with brakes and Brakeless casters into Bottom panel.



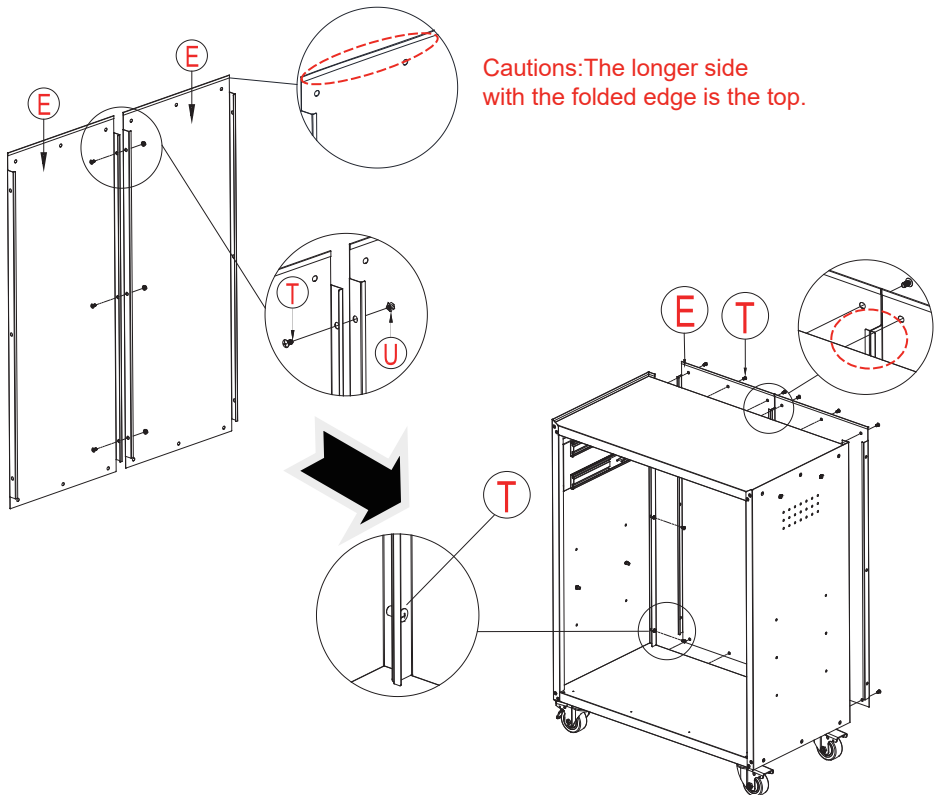
3. Secure the Casters with brakes, then install the side panels with screws as shown in the following



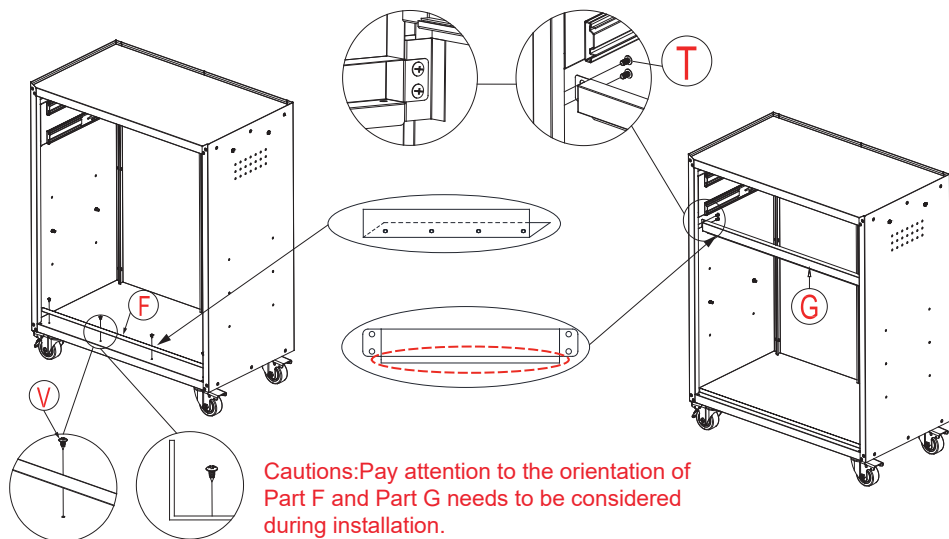
#### 4. Install the Top panel



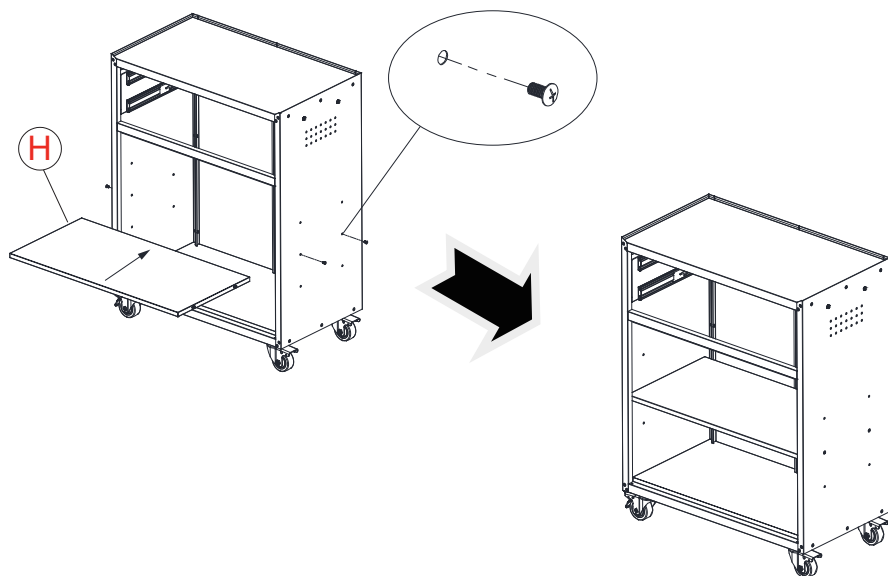
#### 5. Secure the two Part E parts with screws and nuts. Install the Back panel.



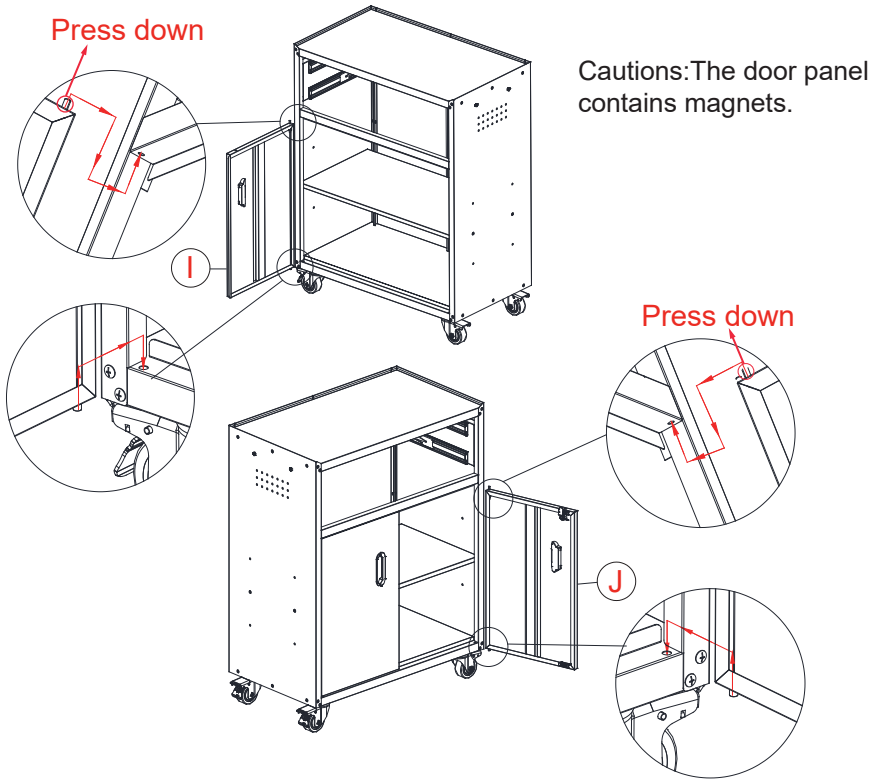
## 6. Install Door stop strip 1 and Door stop strip 2



## 7. Install Shelf, After aligning and positioning the shelf, secure them with screws.



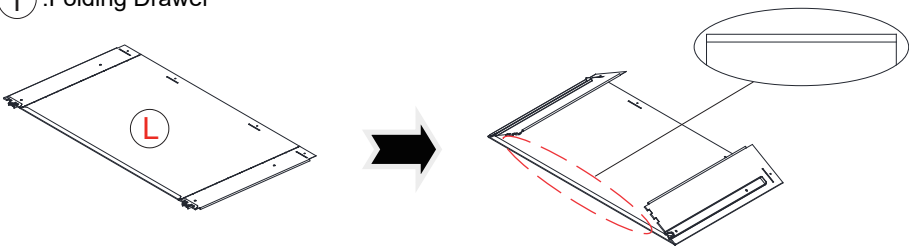
## 8. Install Left and Right door panel.



Cautions: The upper post of the door panel is a retractable post. When installing the door panel, first install the lower fixed post and then install the upper post.

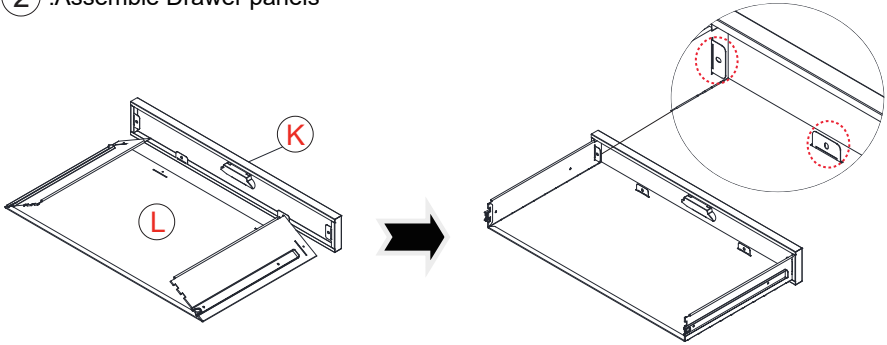
## 9. Assemble the Drawer.

① : Folding Drawer



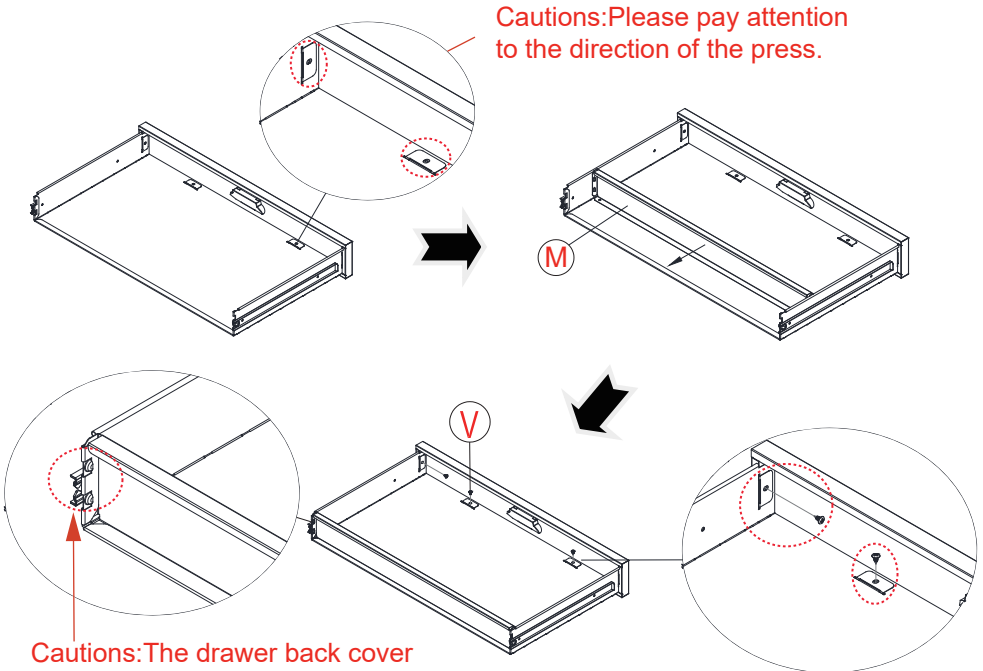
Cautions: The side with the folded edge is the front of the drawer. Please fold it in this direction.

② :Assemble Drawer panels



Part L should be inserted into the corresponding drawer panel slot according to the angle shown in the diagram and then opened.

③ :Press down the four retaining clips, install the drawer back cover and finally secure it with screws.

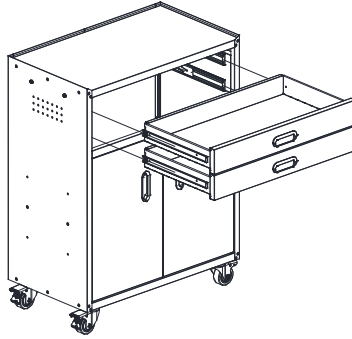


Cautions: Please pay attention to the direction of the press.

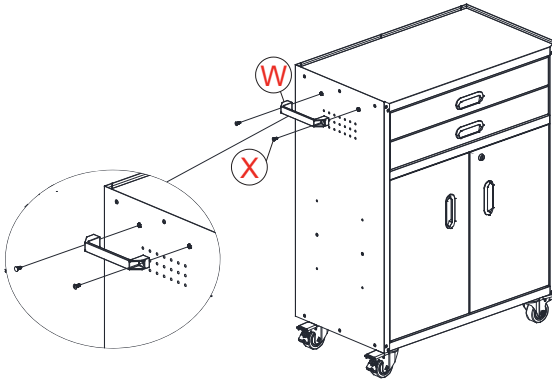
Cautions: The drawer back cover needs to be fully engaged.

10. Repeat the above steps to install the other drawer.

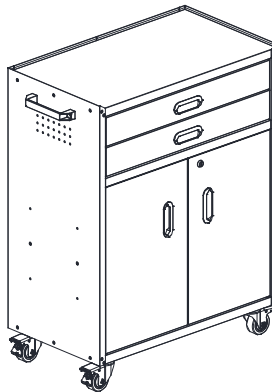
11. Install the assembled Drawer into the product.



12. Install the Handle.



13. Product installation complete.



# AFTER-SALES SERVICE CARD

We sincerely thank you for trusting our service and our products, and may this product add enrichment to your home. We guarantee that the product has undergone strict quality inspection and meticulous packaging. If you encounter any issue regarding either shipping or the product, please feel free to contact us at any time. We'd be more than happy to serve you wholeheartedly.

Yours Sincerely

- Please avoid harsh, corrosive and abrasive cleaners.
- Keep dry and avoid damp environments.

Installation guide video



*Customer Service Email: [help@EverythingSupport.com](mailto:help@EverythingSupport.com)*

*Toll-free: (855)208-0668(MON-FRI 9:00 am-6:00 pm Eastern Time)*

---

If you have any questions or concerns please feel free to contact us. We're committed to providing our customers with the quality service.