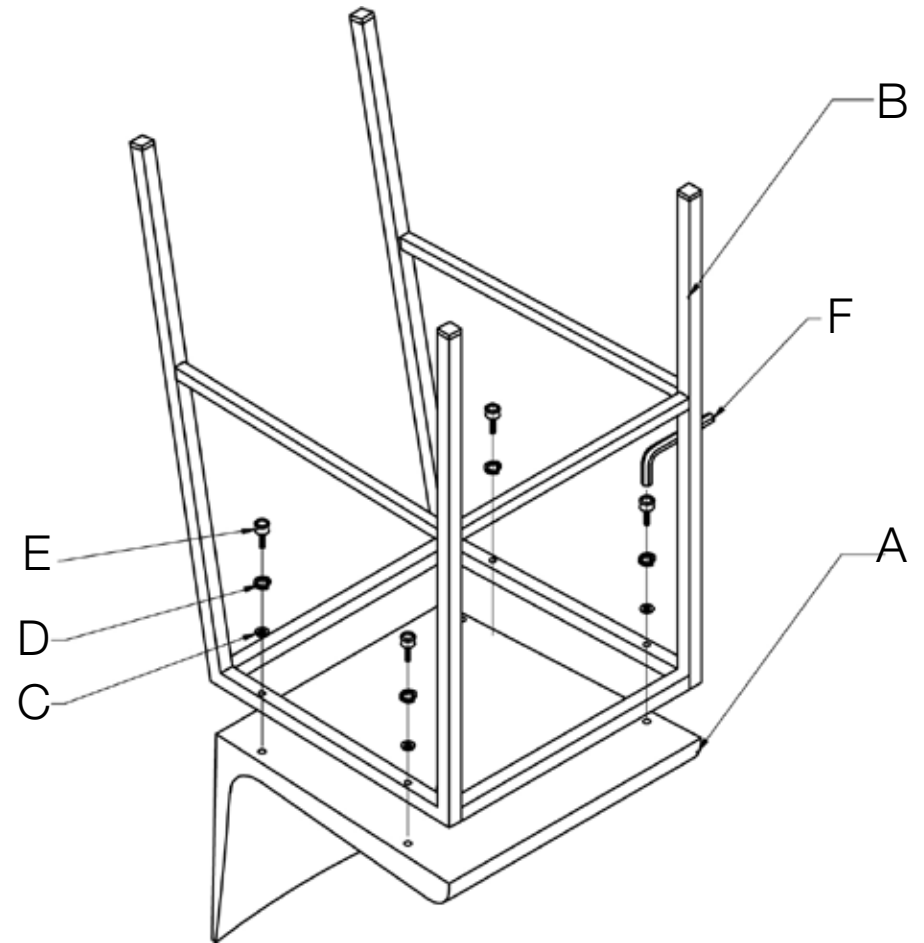
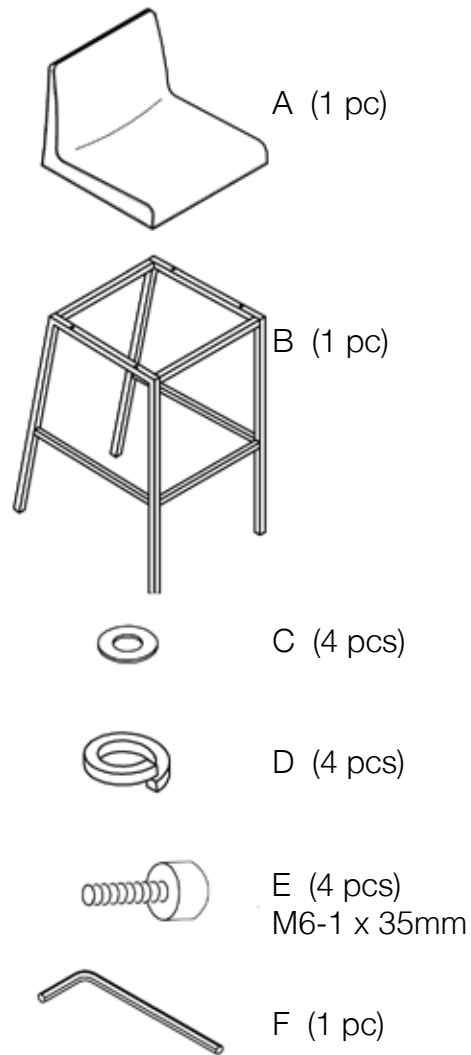


PLEASE NOTE: Check that you have received all components and hardware before assembling.

Assembly Instructions Bar Stool



During assembly, hand tighten screws only. When all screws are in place, then tighten completely.