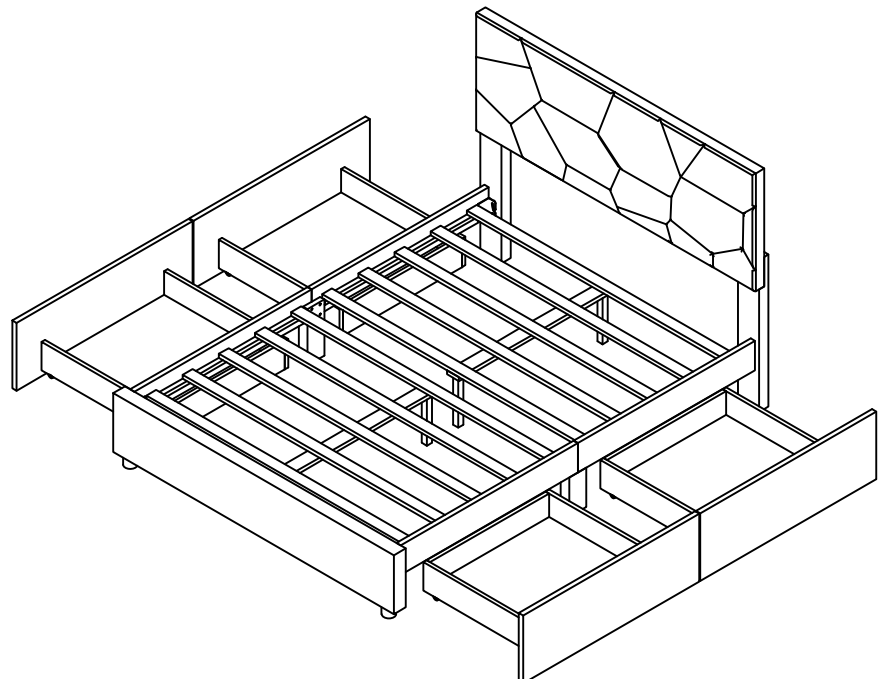
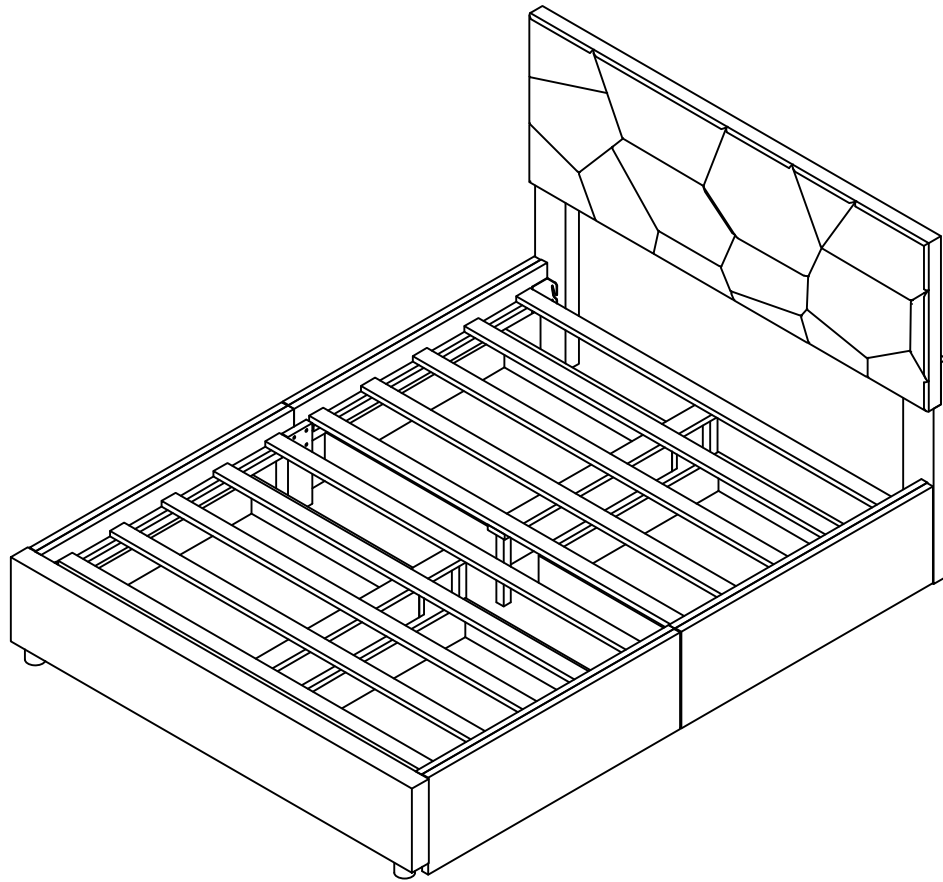
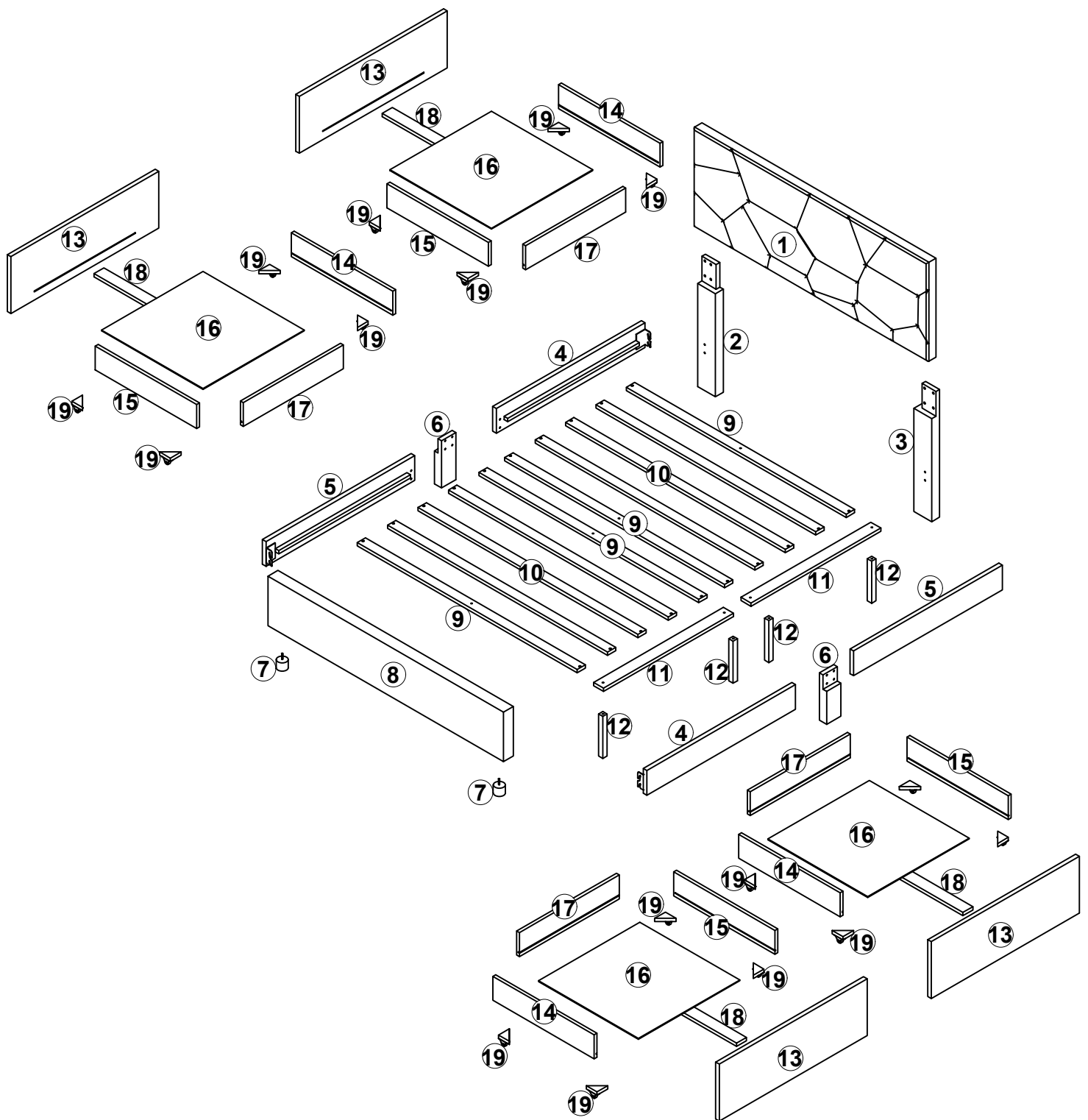


ASSEMBLY INSTRUCTION

SKU CODE: WF302137 / WF302138

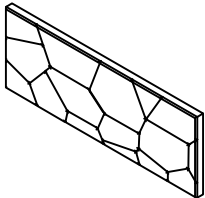
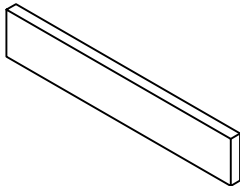
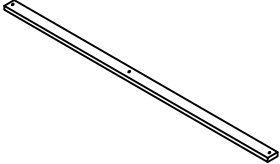
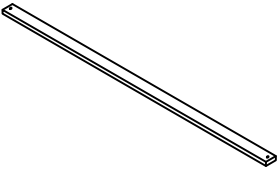
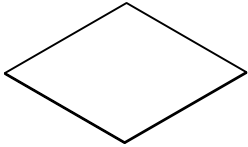
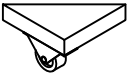


Detail View - FULL BED WITH 4 DRAWERS



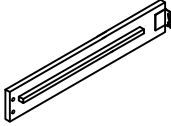
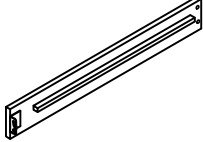


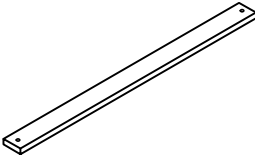

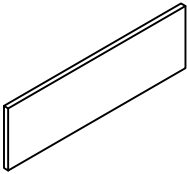
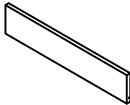





Identifying the Hardware - Identify the hardware using the illustrations below.

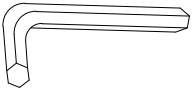
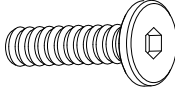
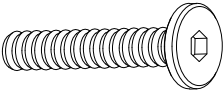


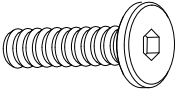


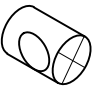



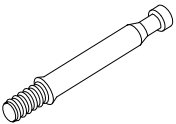

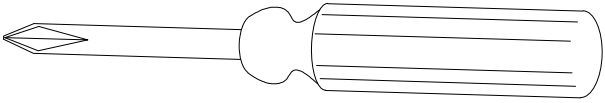
Part Lists: **WF302137**

<p>1</p>  <p>Headboard-1pc</p>	<p>8</p>  <p>Footboard - 1pc</p>
<p>9</p>  <p>Bed slat 1 - 4pcs</p>	<p>10</p>  <p>Bed slat 2 -6pcs</p>
<p>16</p>  <p>Drawer bottom -4pcs</p>	<p>19</p>  <p>Corner block -16pcs</p>

Part Lists: **WF302138**

<p>2</p>  <p>Headboard left leg -1pc</p>	<p>3</p>  <p>Headboard right leg-1pc</p>
<p>4</p>  <p>Side rail 1 - 2pcs</p>	<p>5</p>  <p>Side rail 2 - 2pcs</p>
<p>6</p>  <p>Side rail support leg - 2pcs</p>	<p>7</p>  <p>Footboard leg -2pcs</p>
<p>11</p>  <p>Center support bar -2pcs</p>	<p>12</p>  <p>Center support leg - 4pcs</p>
<p>13</p>  <p>Drawer front -4pcs</p>	<p>14</p>  <p>Drawer side left -4pcs</p>
<p>15</p>  <p>Drawer side right -4pcs</p>	<p>17</p>  <p>Drawer back -4pcs</p>
<p>18</p>  <p>Drawer bottom support bar -4pcs</p>	

HARDWARE LISTS: WF302138

A  4mm Allen key (1pc)	B  Ø5/16" x 20mm Hex-head bolt (8pcs)
C  Ø5/16" x 40mm Hex-head bolt (4pcs)	D  Ø5/16" Spring washer (12pcs)
E  Ø5/16" Flat washer(12pcs)	F  Ø1/4" x 40mm Hex-head bolt (4pcs)
G  Ø1/4" x 45mm Hex-head bolt (4pcs)	H  Ø1/4" x 50mm Hex-head bolt (16pcs)
I  Ø1/4" Barrel nut (16pcs)	J  Ø1/4" Spring washer (8pcs)
K  Ø1/4" Flat washer(8pcs)	L  Ø4 x 30mm Wood screw (68pcs)
M  Cam bolt (16pcs)	N  Cam lock(16pcs)
 ASSEMBLY TOOLS REQUIRED (NOT INCLUDED)	



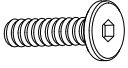
Read this instruction carefully. See hardware and furniture part list for guidance. Be sure all parts are complete, before you assemble. Place all wooden furniture parts on a clean and flat soft surface to prevent from being scratched. Follow the figure to start assembling.

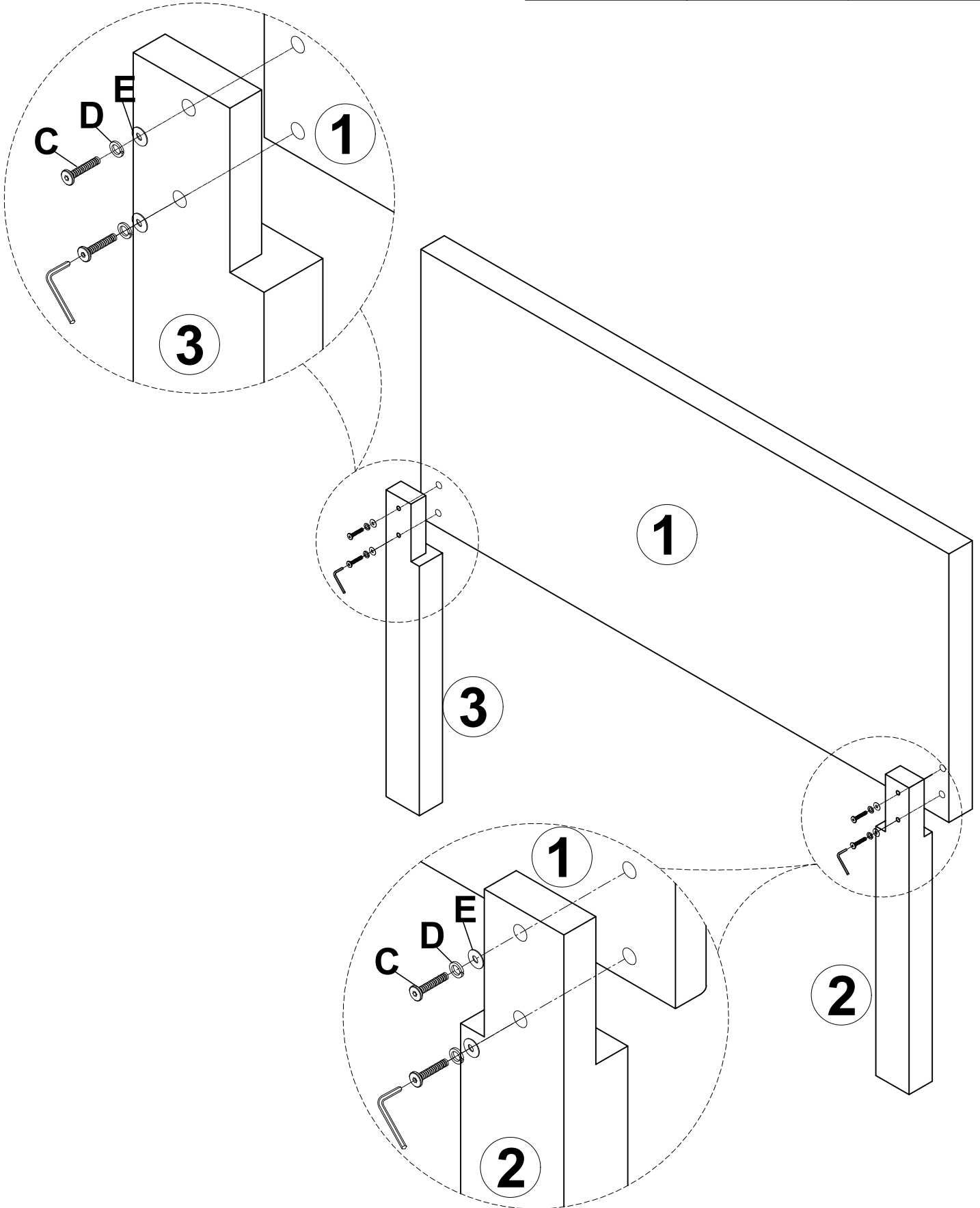
CAUTIONS :

1. Do not FULLY - TIGHTEN the nut or nut bolt until all nut or bolt is ready assembled.
2. Do not OVER - TIGHTEN the nut or bolt to avoid causing damages to the thread.
3. Keep all hardware parts out of reach of children.

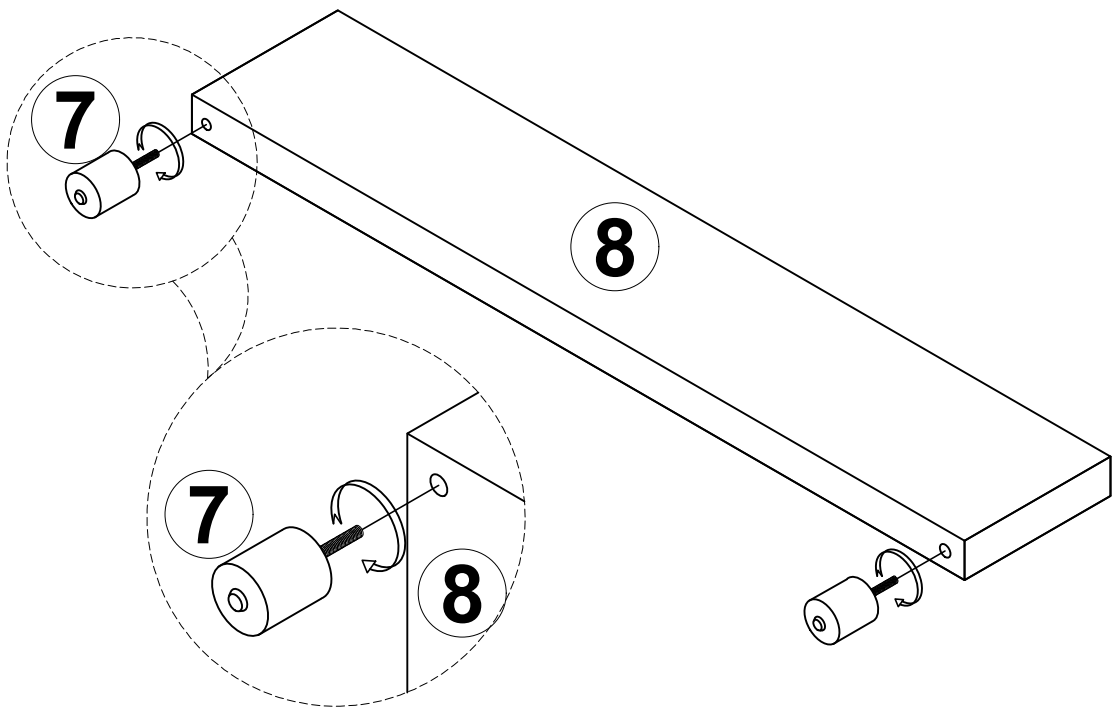
NOTE : THE LIST AND QUANTITY SHOWN ARE FOR 1 UNIT ASSEMBLY.

STEP 1



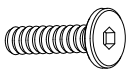
E		D		C	
4PCS		4PCS		4PCS	

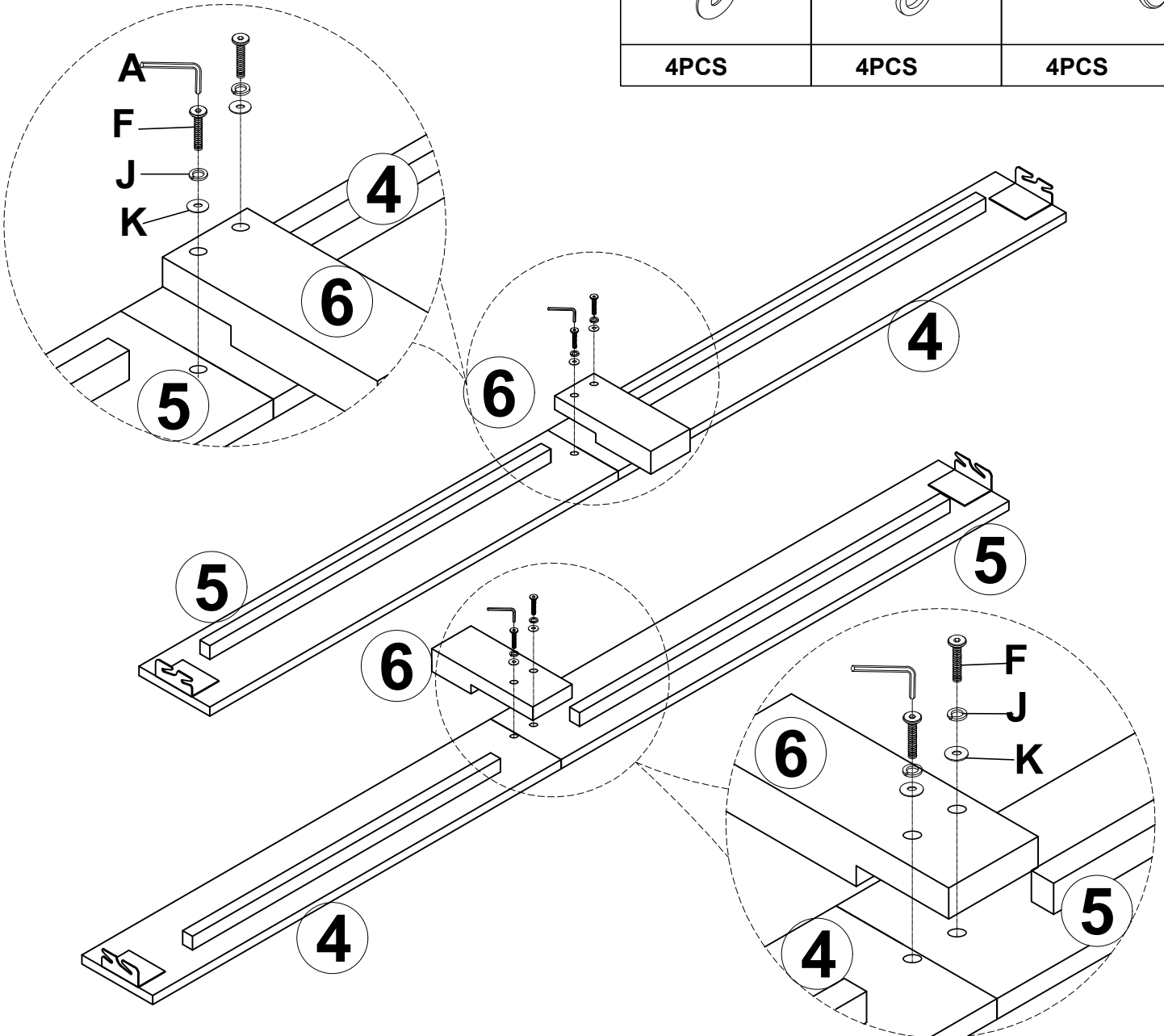


STEP 2



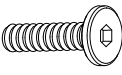


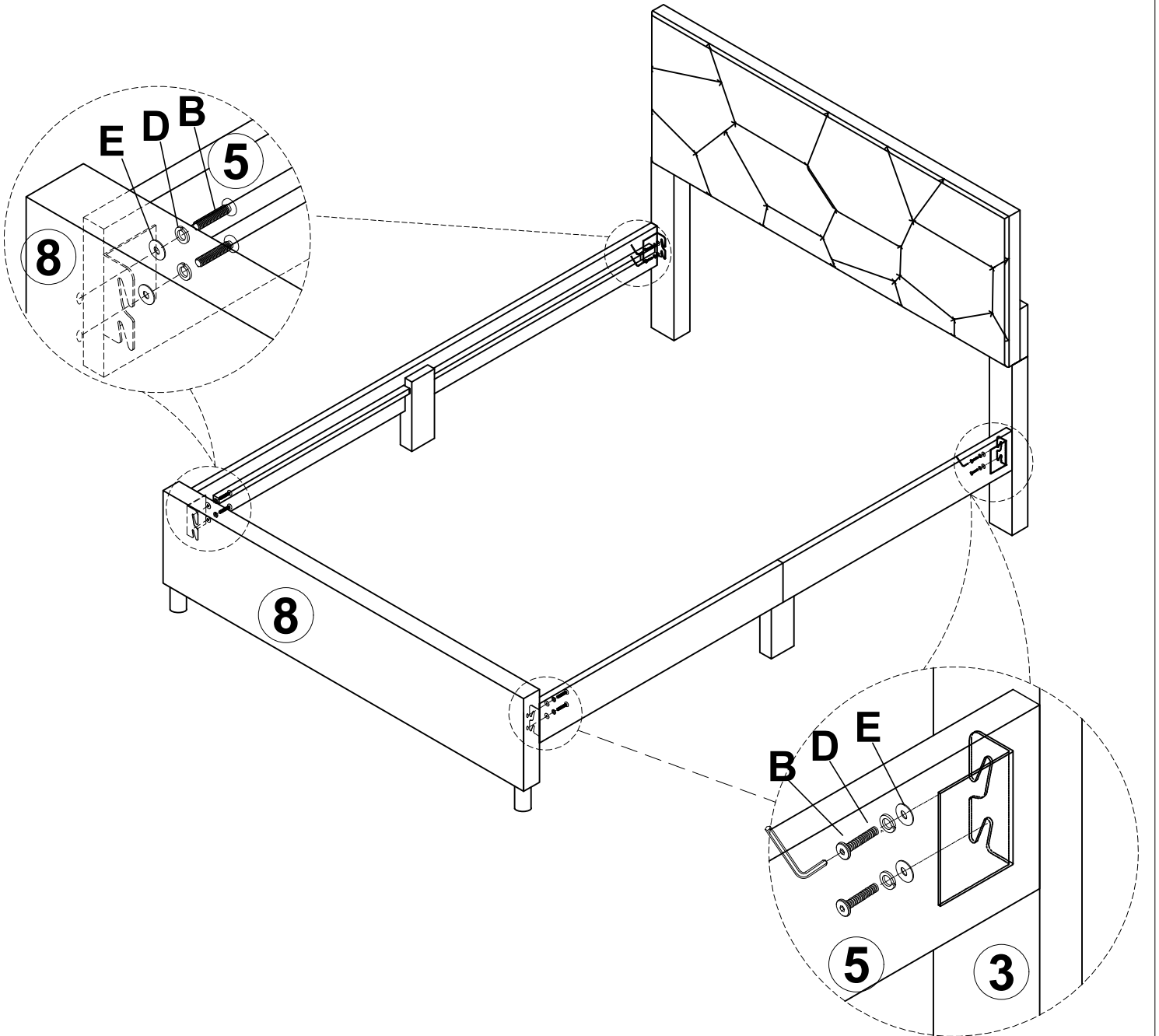
STEP 3

K		J		F	
4PCS		4PCS		4PCS	



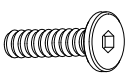


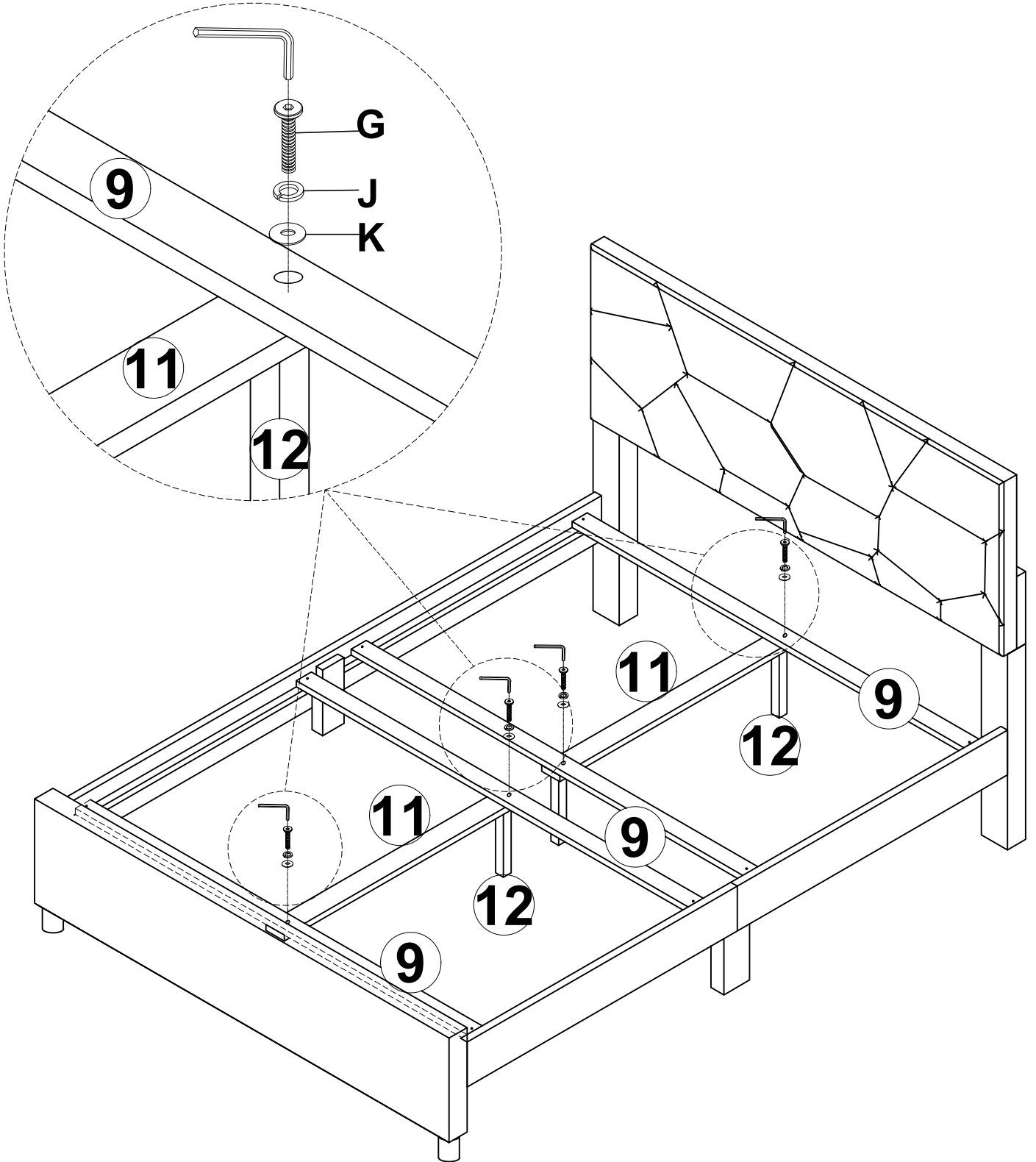
STEP 4

E		D		B	
8PCS		8PCS		8PCS	



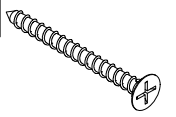
STEP 5

K 	J 	G 
4PCS	4PCS	4PCS

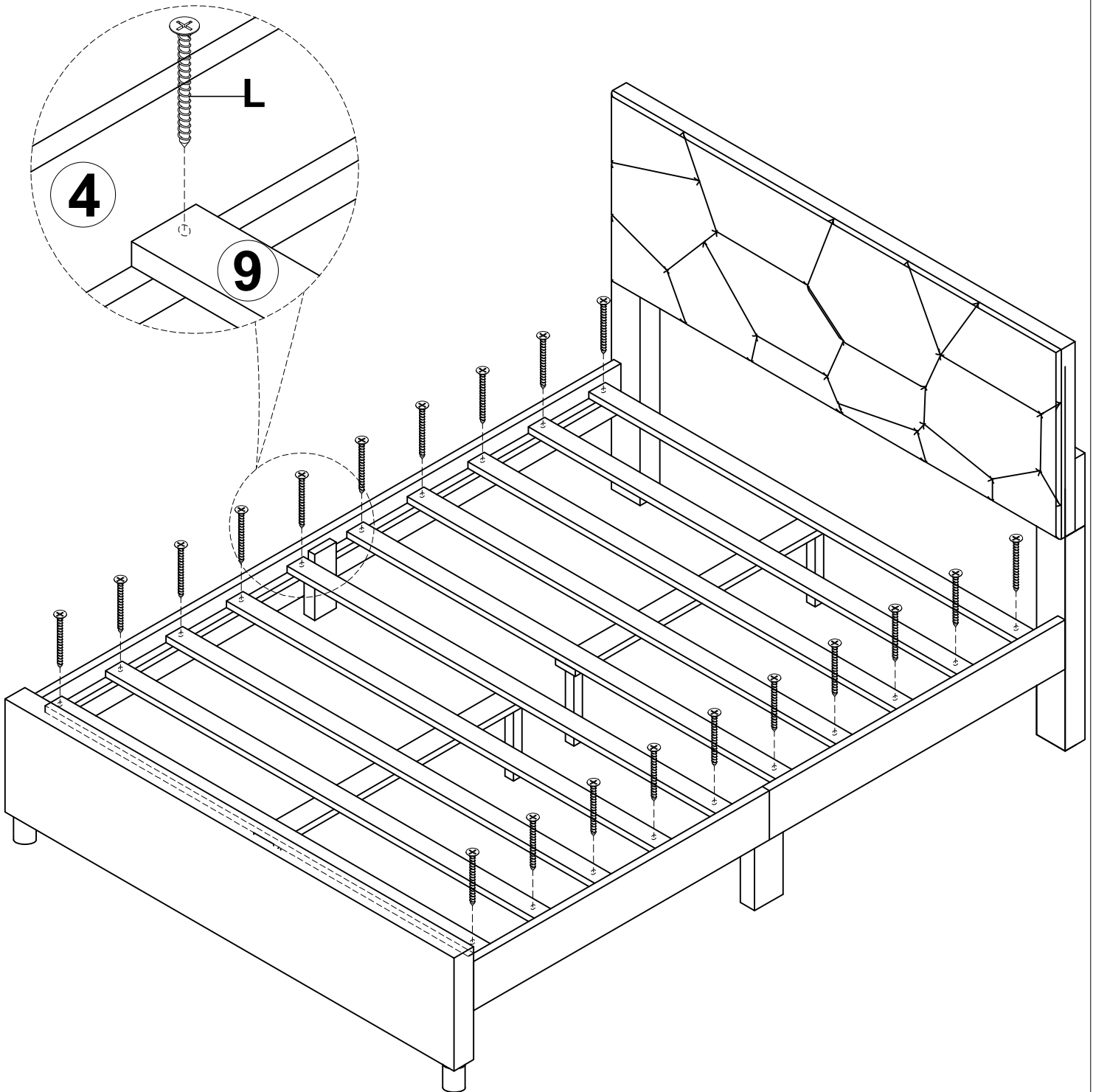


STEP 6

L

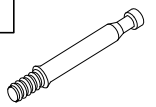


20PCS

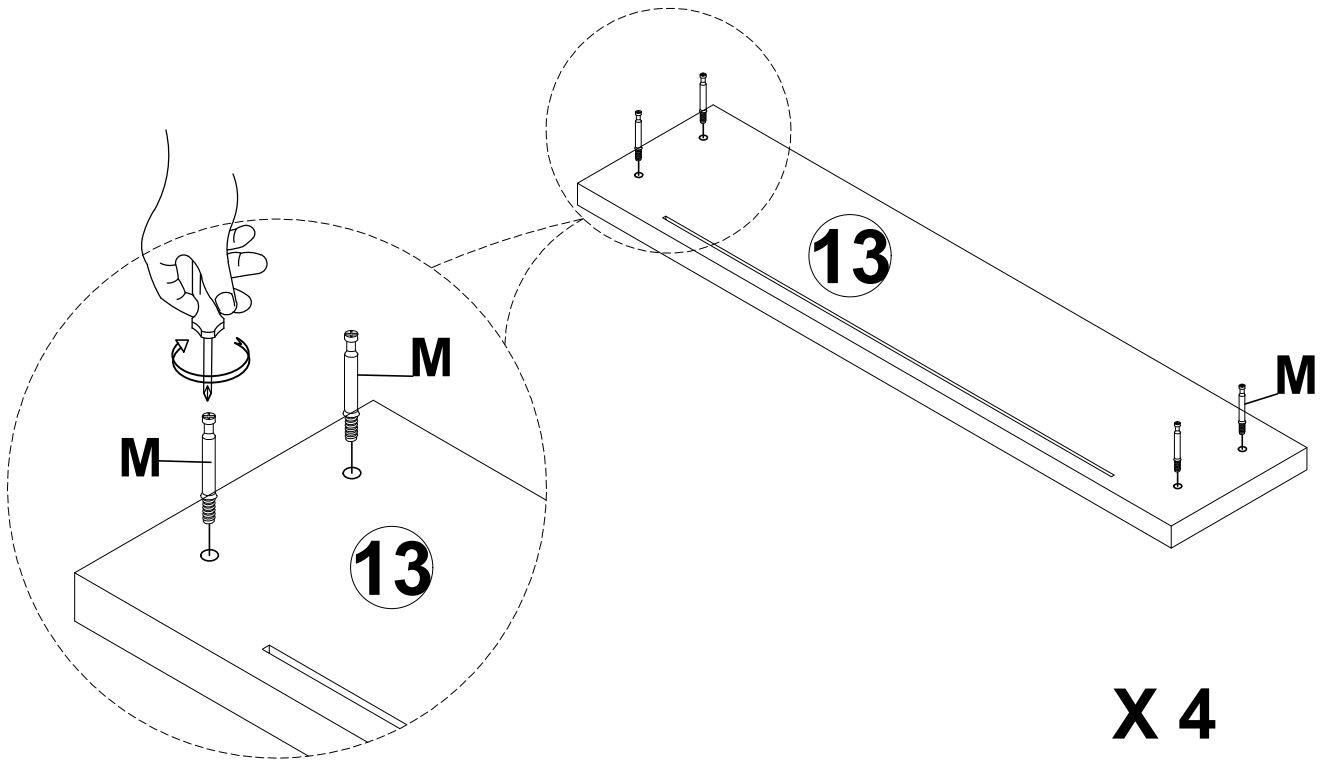


STEP 7

M



16PCS

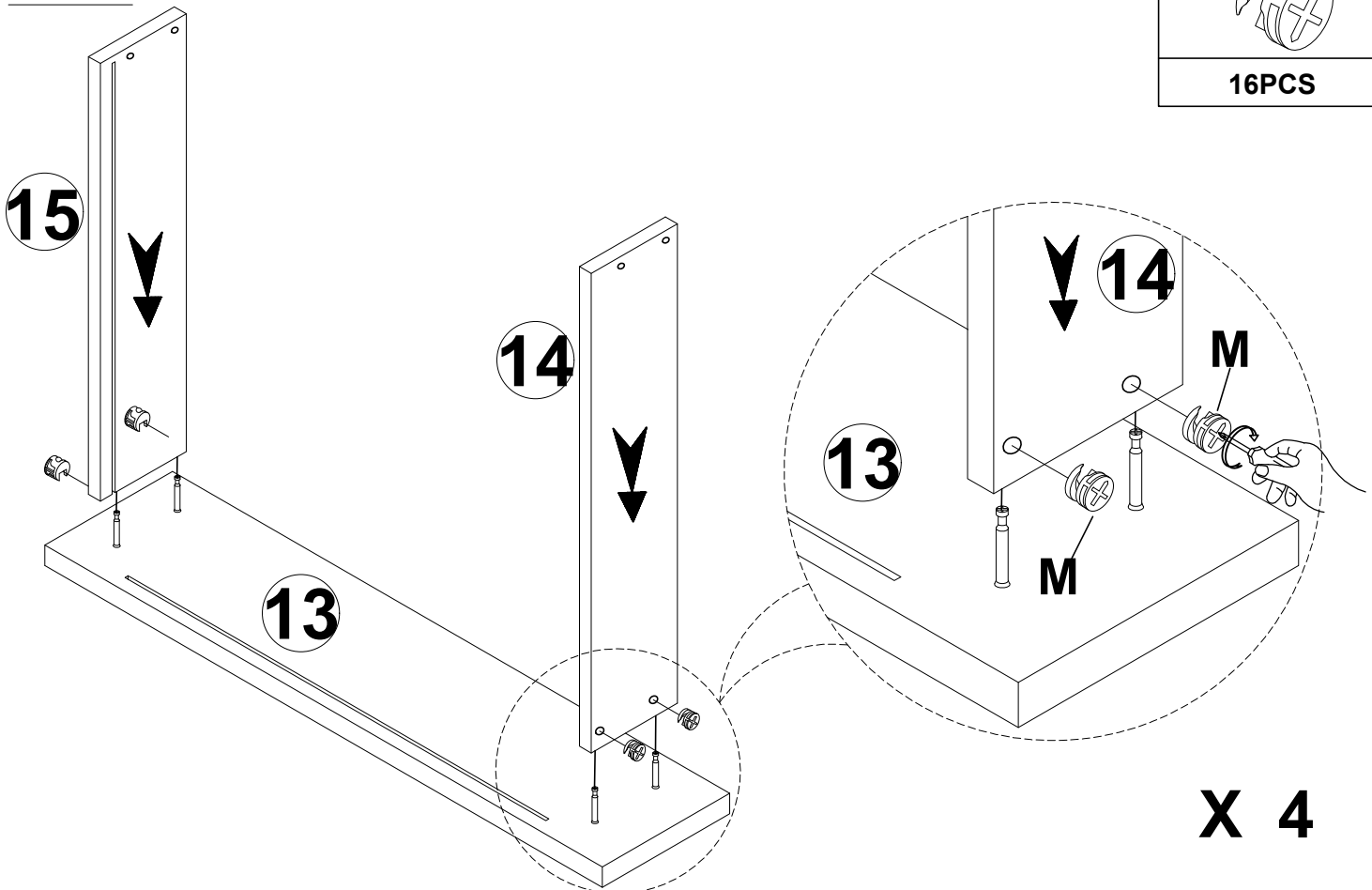


STEP 8

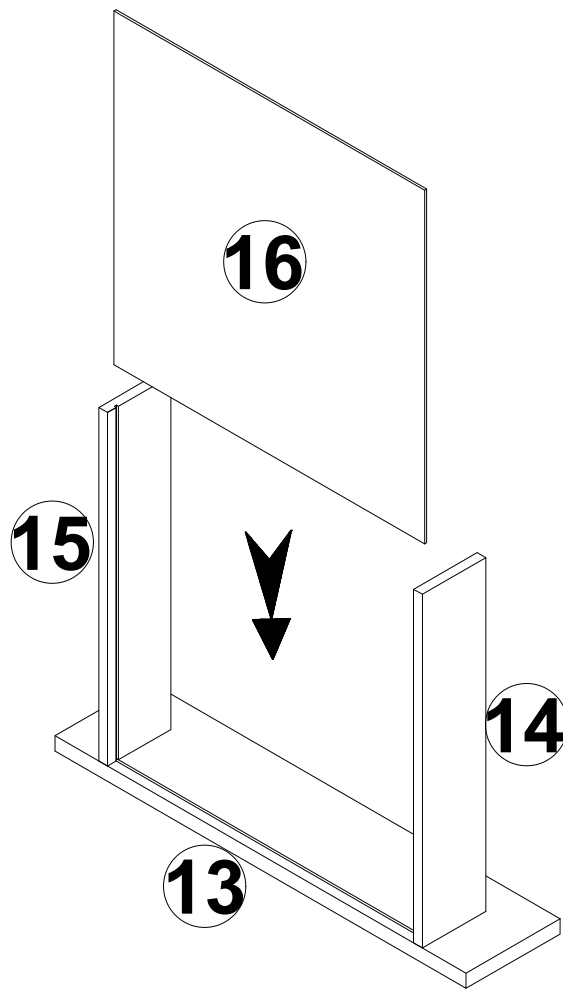
N



16PCS


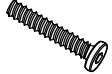


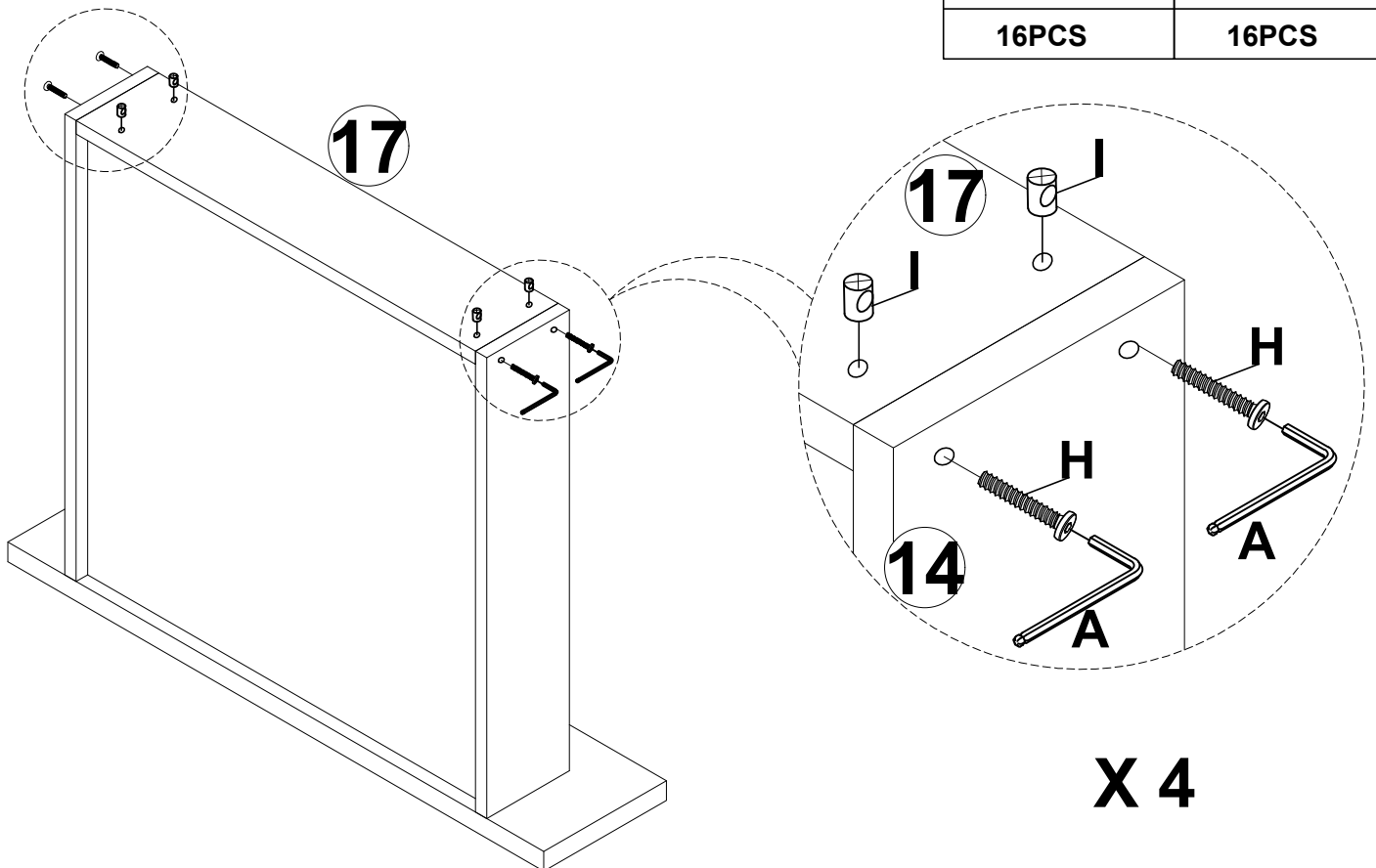
STEP 9



X 4

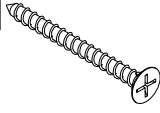
STEP 10

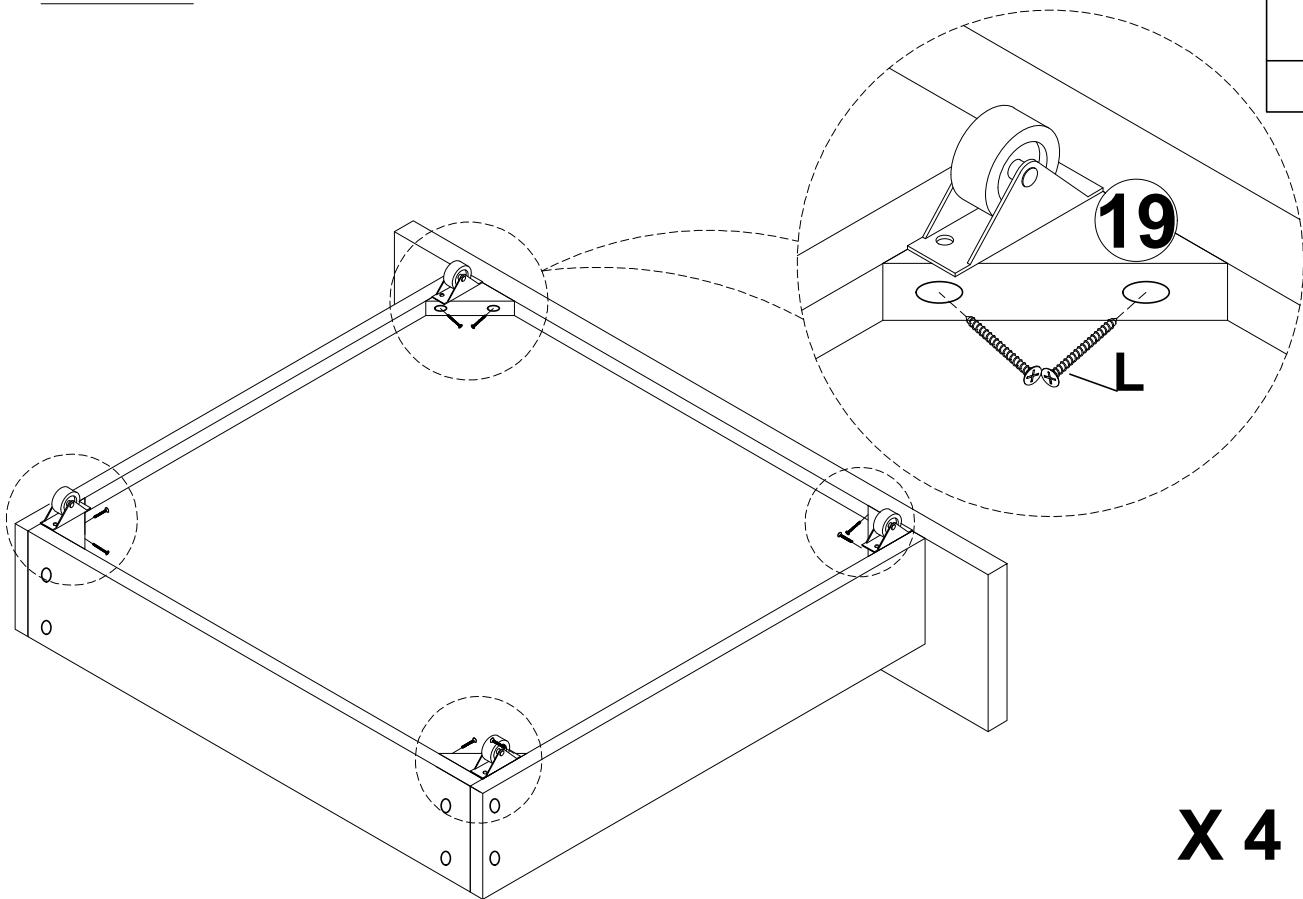
I		H	
16PCS		16PCS	



X 4

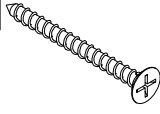
STEP 11

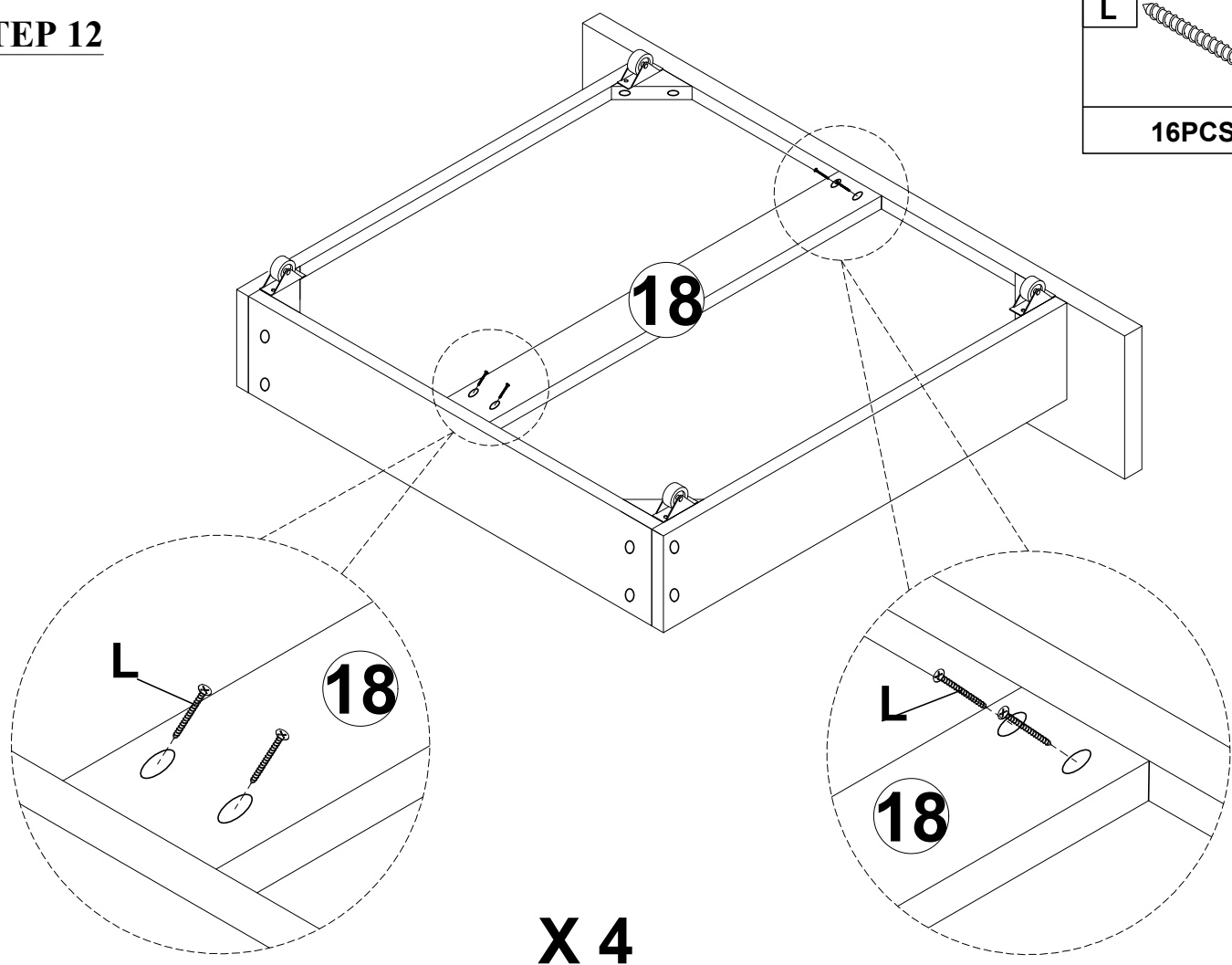
L	
32PCS	



X 4

STEP 12

L	
16PCS	



X 4

STEP 13

