



**PREMIER**  
COPPER PRODUCTS

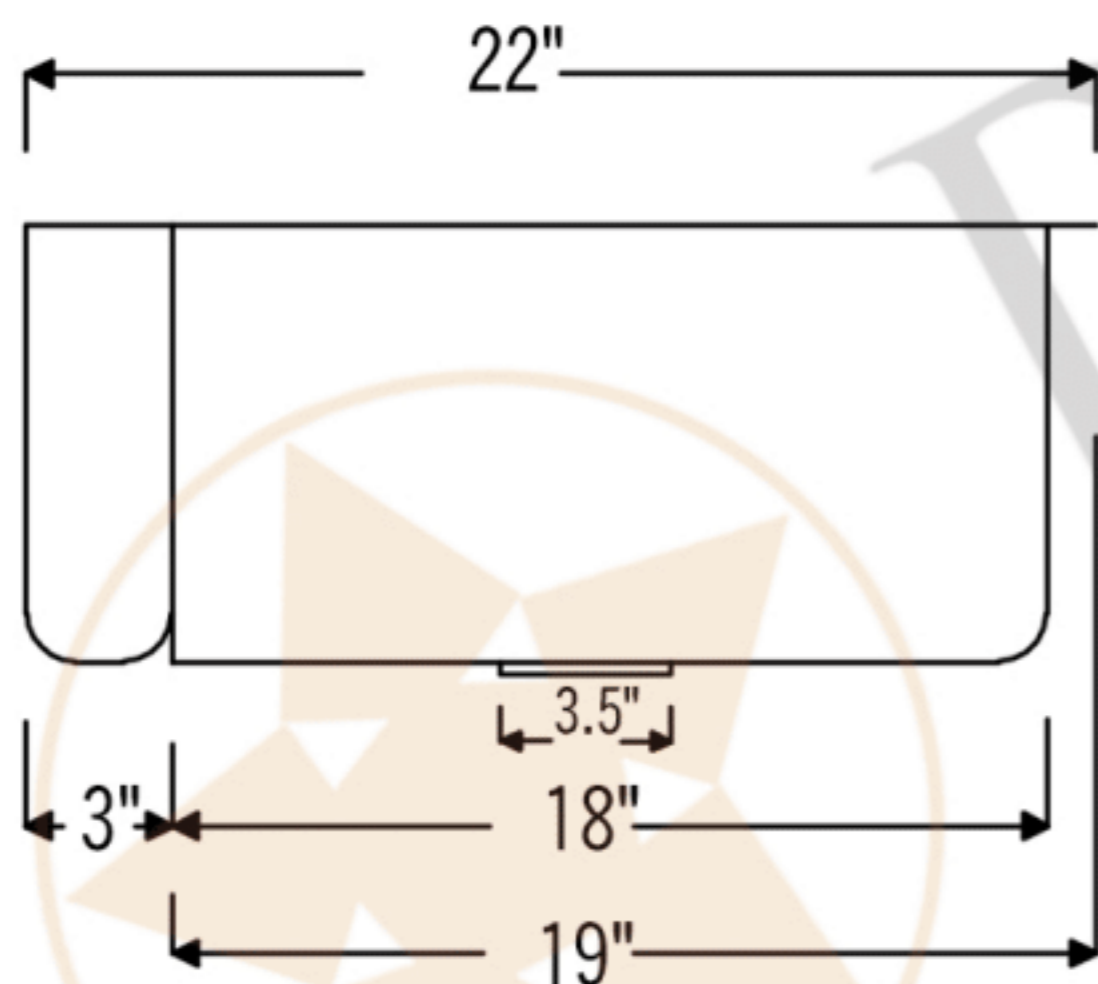
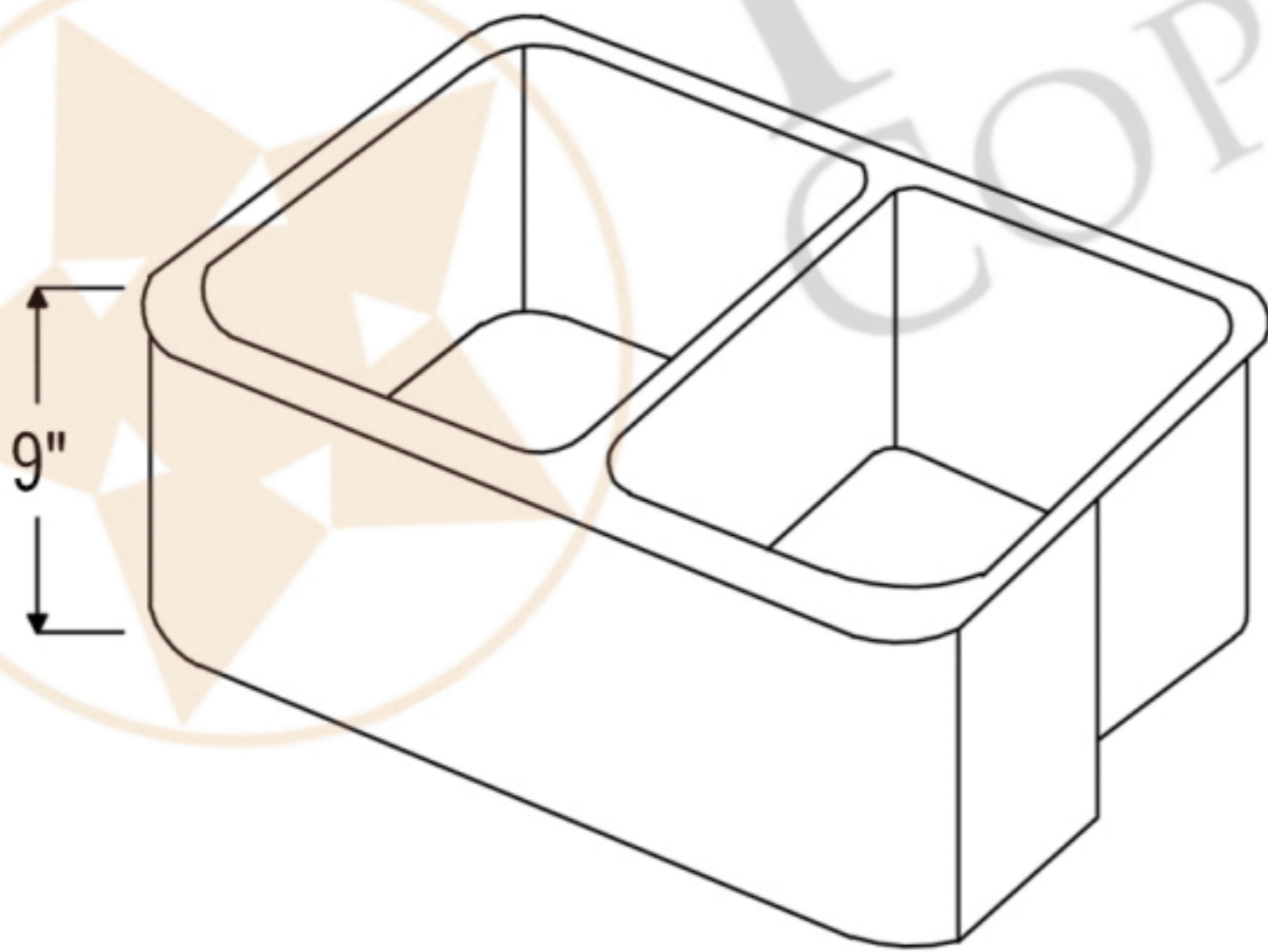
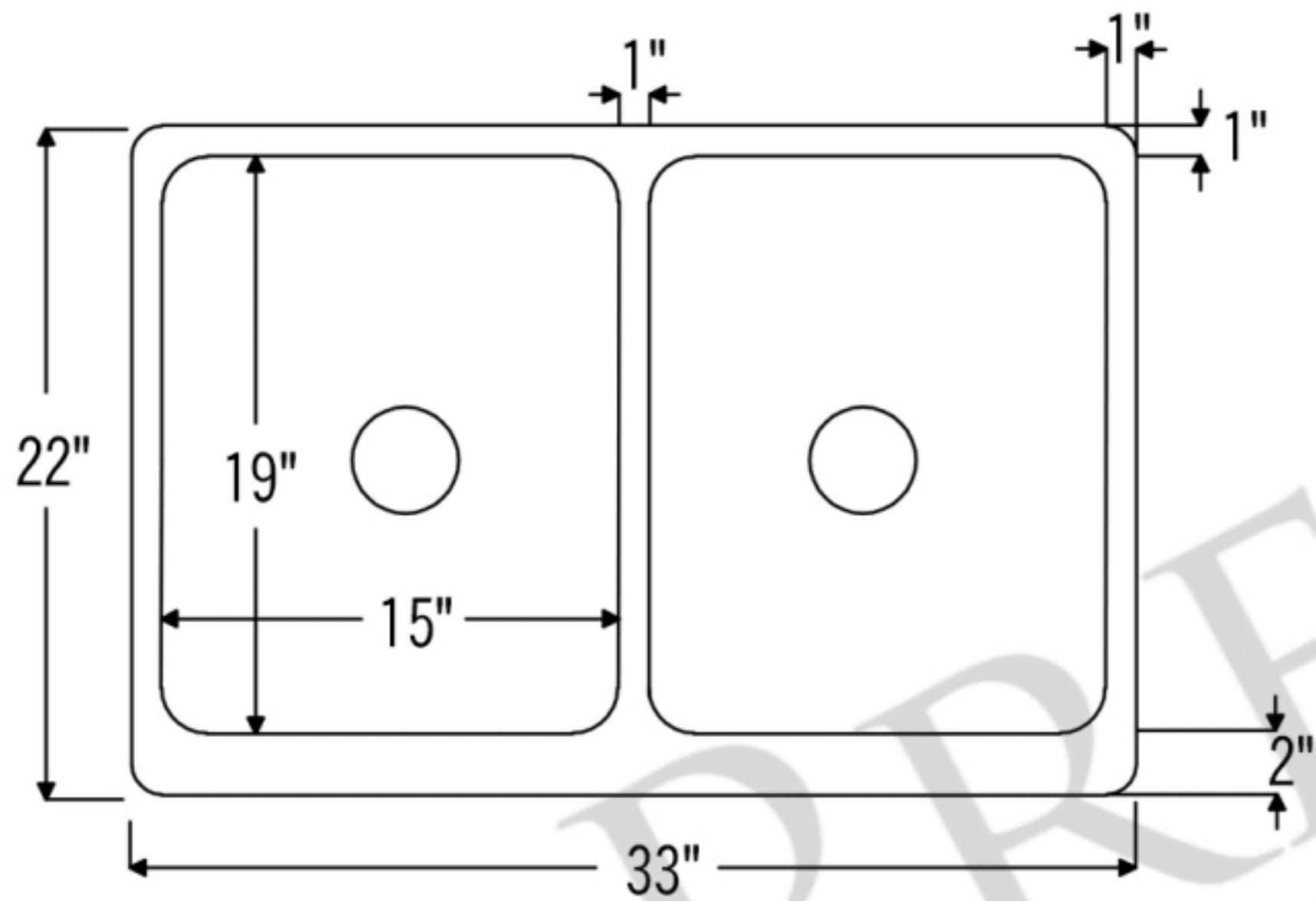
**MODEL NUMBER: KA50B33229**

CODE/STANDARD COMPLIANCE

\* IAPMO/cUPC LISTED



- \* Description: 33" Antique Hammered Copper Kitchen Apron 50/50 Double Basin Sink
- \* Outer Dimension: 33" x 22" x 9"
- \* Inner Dimension: L: 15" x 19" x 9" / R: 15" x 19" x 9"
- \* Rim: Back, Left, Right - 1" / Front - 2"
- \* Divider: 1" Wide (Optimized)
- \* Drain Opening: 3.5"
- \* Gauge: 14
- \* Finish: Antique Copper



THIS PRODUCT IS HAND CRAFTED, SMALL VARIANCES IN COLOR AND SIZE MAY OCCUR.  
DO NOT MAKE ANY INSTALLATION CUTS UNTIL YOU RECEIVE YOUR ITEM(S).