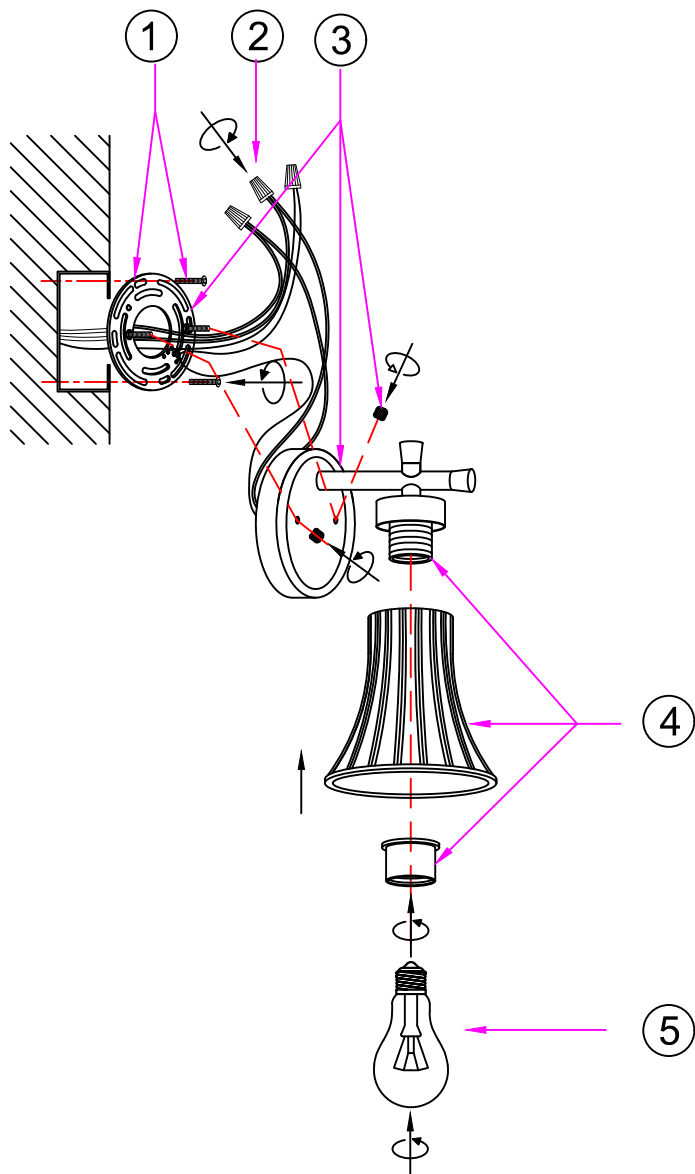


ASSEMBLY AND INSTALLATION INSTRUCTIONS

WARNING: TO AVOID RISK OF ELECTRICAL SHOCK, BE SURE TO SHUT OFF POWER BEFORE INSTALLING OR SERVICING THIS FIXTURE.



Before You Begin:

- Ensure power is turned off at the circuit breaker before installation.
- Read all instructions carefully.
- Installation should be performed by a qualified electrician if you are unfamiliar with wiring.

Step-by-Step Installation:

1. Use the mounting screws to fix the plate to the electrical box.
 2. Connect the black wire to the black wire (hot), the white wire to the white wire (neutral), and the ground wire to the ground terminal. Please make sure the wires are not exposed during connection.
 3. Secure the wall bracket on the mounting plate.
 4. Place the glass shade onto the lamp head and adjust it. Use the lamp's outer ring to secure the glass.
 5. Screw the bulb into the lamp head.
 6. Turn on the power to check if the bulb works properly.
- Installation complete.

Safety Instructions:

To avoid fire, shock, and serious personal injury, follow all instructions carefully.

1. Do not install or use the light fixture if any part is missing or damaged.
2. To avoid possible electrical shock, be sure electricity is turned off at the main fuse or circuit breaker box before wiring.
3. Make certain no bare wires are exposed outside the wire connectors.
4. All wiring must conform to national and local electrical codes.
5. Follow the recommended instructions for the proper method of wiring your new light fixture. If you feel you do not have enough electrical wiring knowledge or experience, have your light fixture installed by a licensed electrician. Any electrical work not described in this manual should be performed by a licensed electrician.