








Read instructions carefully. See hardware and furniture part list for guidance. Be sure all parts are complete before assembly. Place all wooden furniture parts on a clean and flat soft surface to prevent from being scratched. Follow the figure to start assembling.

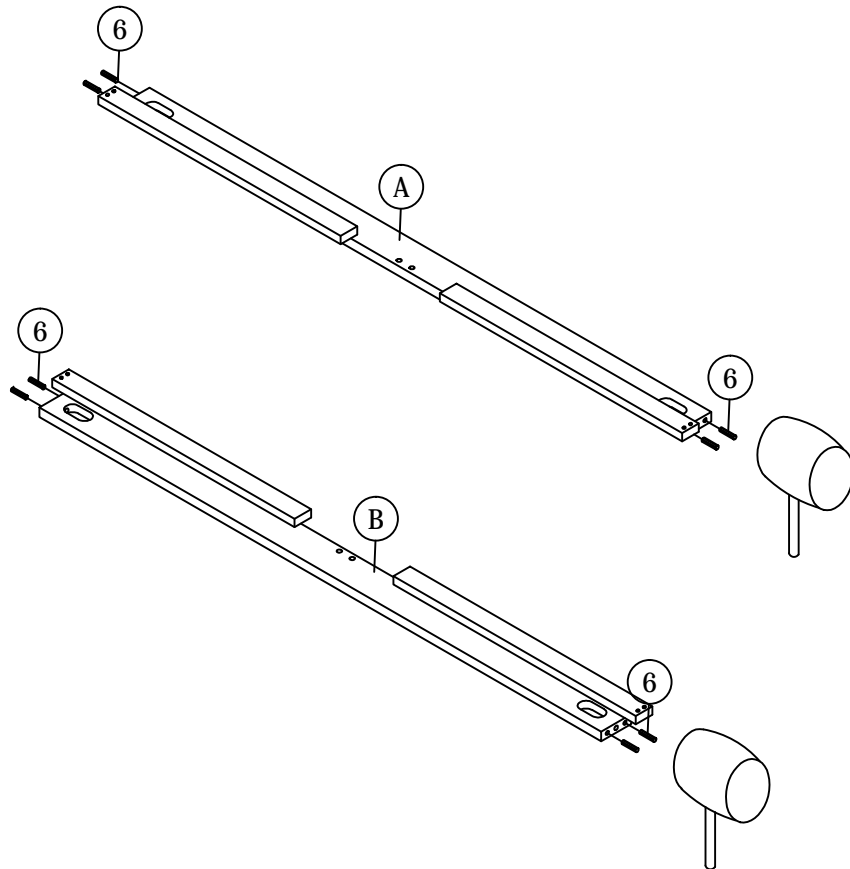
CAUTIONS : 1. Do not FULLY - TIGHTEN the nuts or bolts until all nuts autill all are loosly assembled.
 2. Do not OVER - TIGHTEN the nuts or bolts. This causing damage to the threads.
 3. Keep all hardware parts out of reach of children.

Tools needed : Screwdriver & Rubber Mallet (not provider).

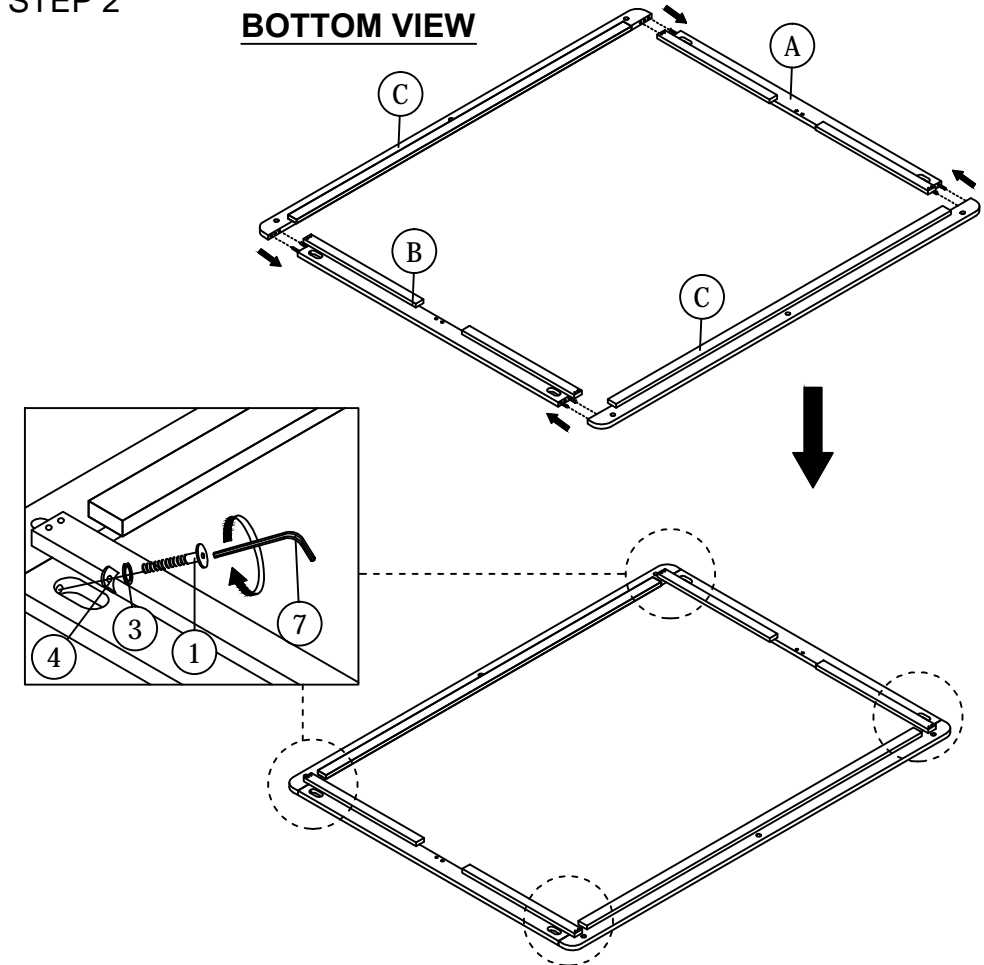
PART LIST			
ITEM	DESCRIPTION	BOX	QTY
A	HEADBOARD	1	1 PC
B	FOOTBOARD	1	1 PC
C	SIDE RAIL	1	2 PCS
D	CENTER RAIL	1	1 PC
E	CENTER SUPPORT LEG	1	3 PCS
F	BED SLAT	1	1 SET
G	BED LEG (1)	1	2 PCS
H	BED LEG (2)	1	6 PCS

HARDWARE LIST (BOX : 1)		
ITEM	DESCRIPTION	QTY
1	JCBC BOLT M6 x 50mm 	4 PCS
2	JCBC BOLT M6 x 35mm 	4 PCS
3	M6 SPRING WASHER 	4 PCS
4	M6 BEND WASHER 3013 (RB) 	4 PCS
5	WOOD SCREW M4 x 35mm 	37 PCS
6	WOOD DOWEL M8 x 30mm 	8 PCS
7	M4 ALLEN KEY (BALL SHAPE) 	1 PC

STEP 1

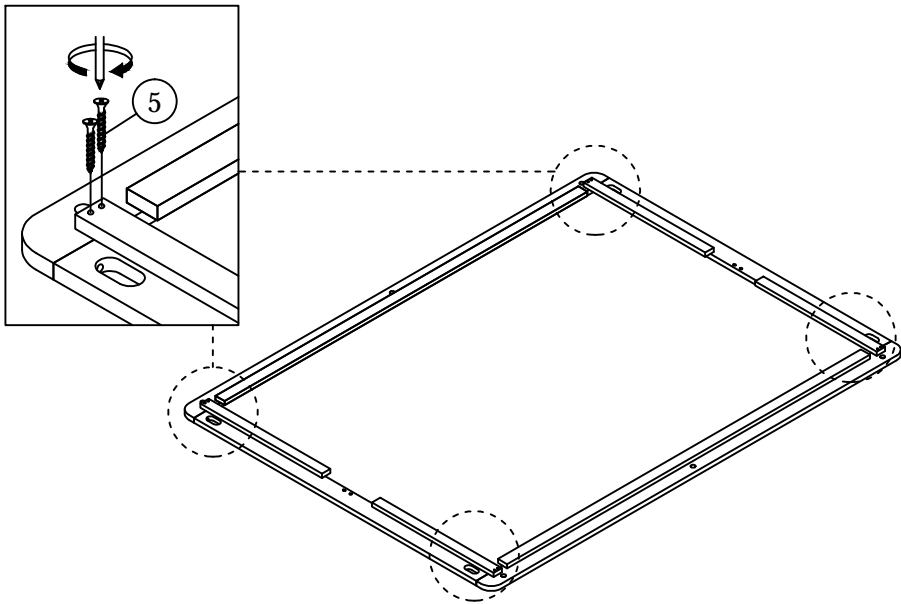


STEP 2

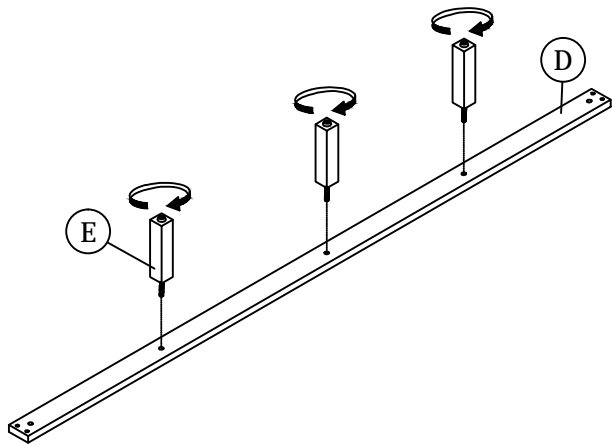


ASSEMBLY INSTRUCTIONS

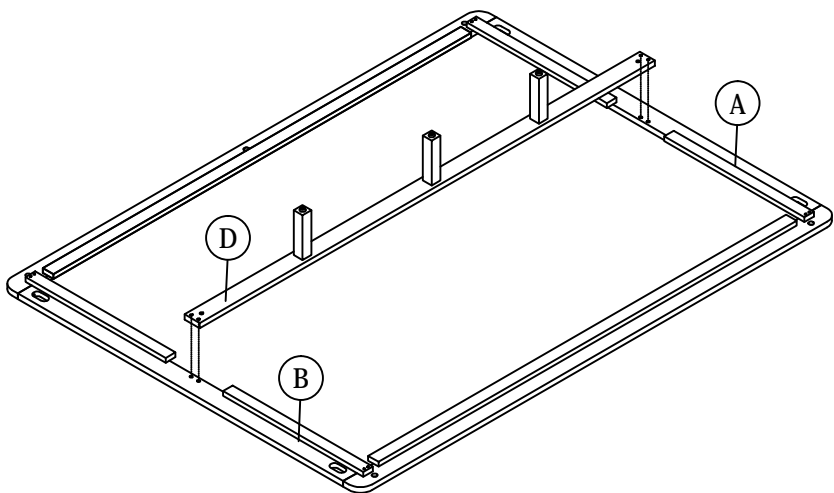
STEP 3



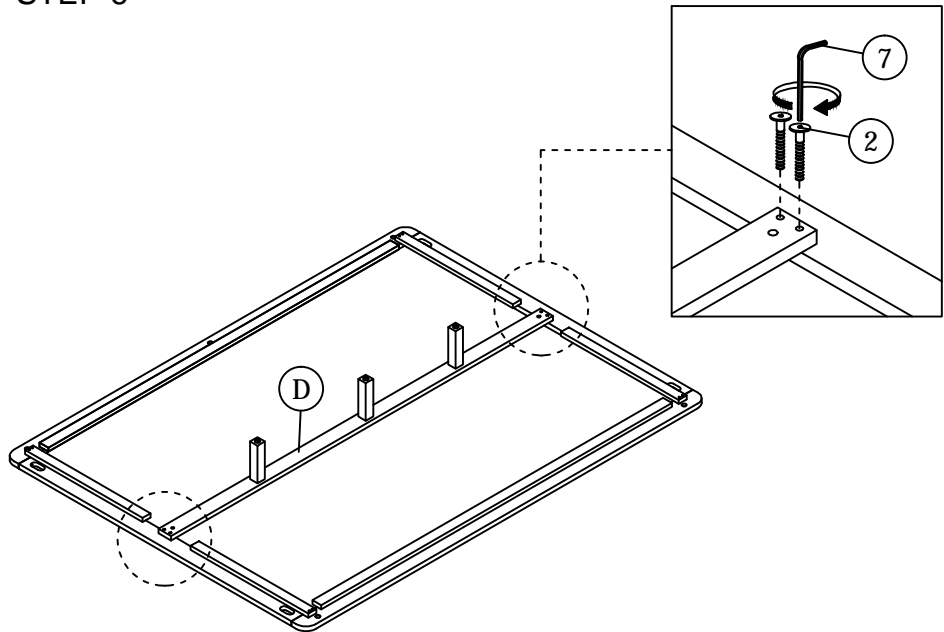
STEP 4



STEP 5

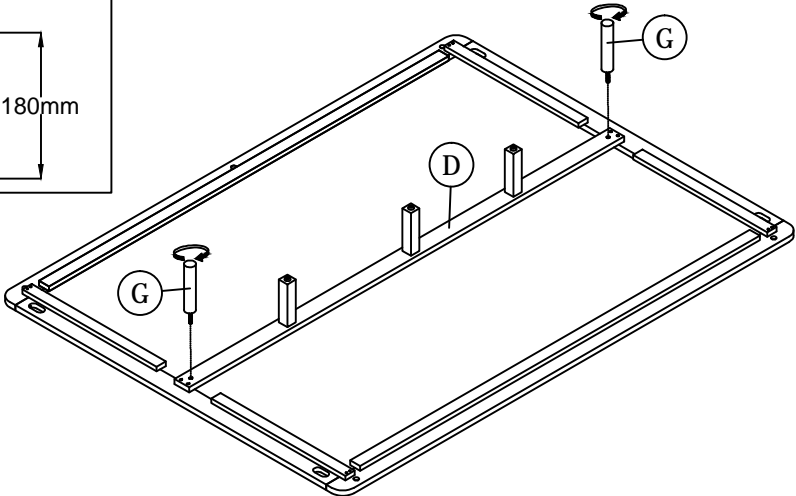
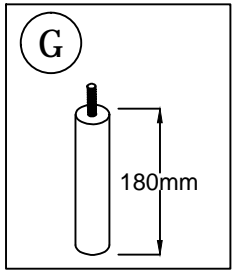


STEP 6

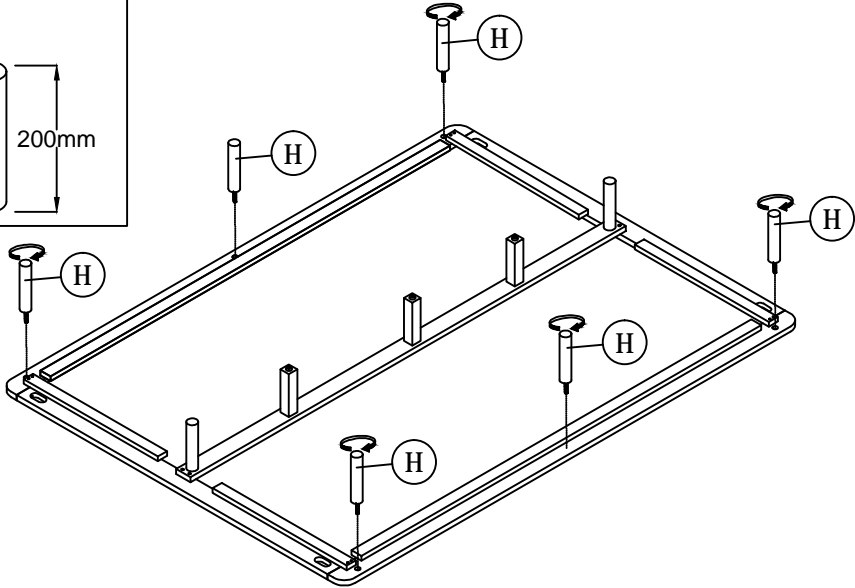
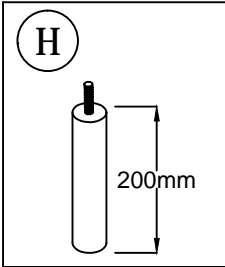


ASSEMBLY INSTRUCTIONS

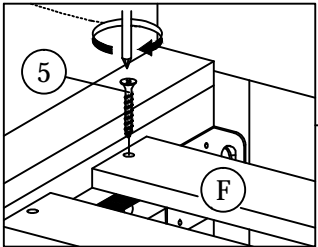
STEP 7



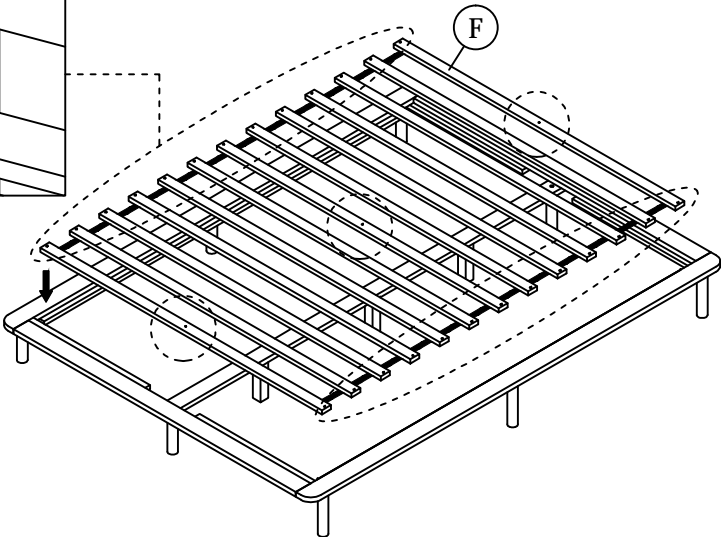
STEP 8



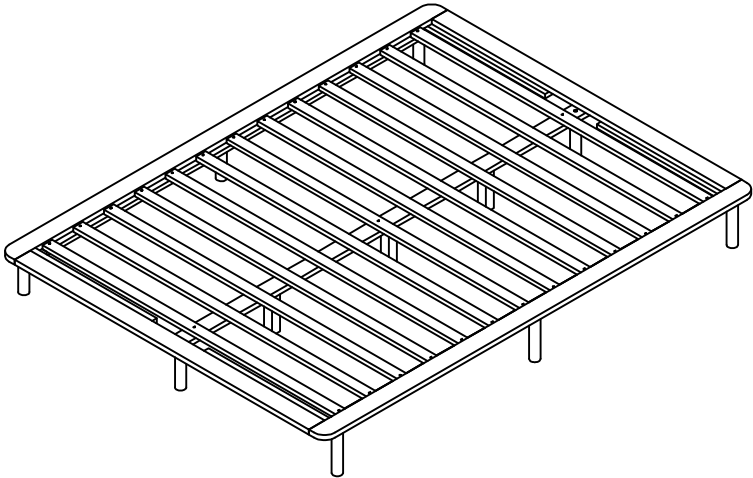
STEP 9



x29



STEP 10



* When moving the bed position, the center support legs must be adjusted to be straight to avoid any damage.