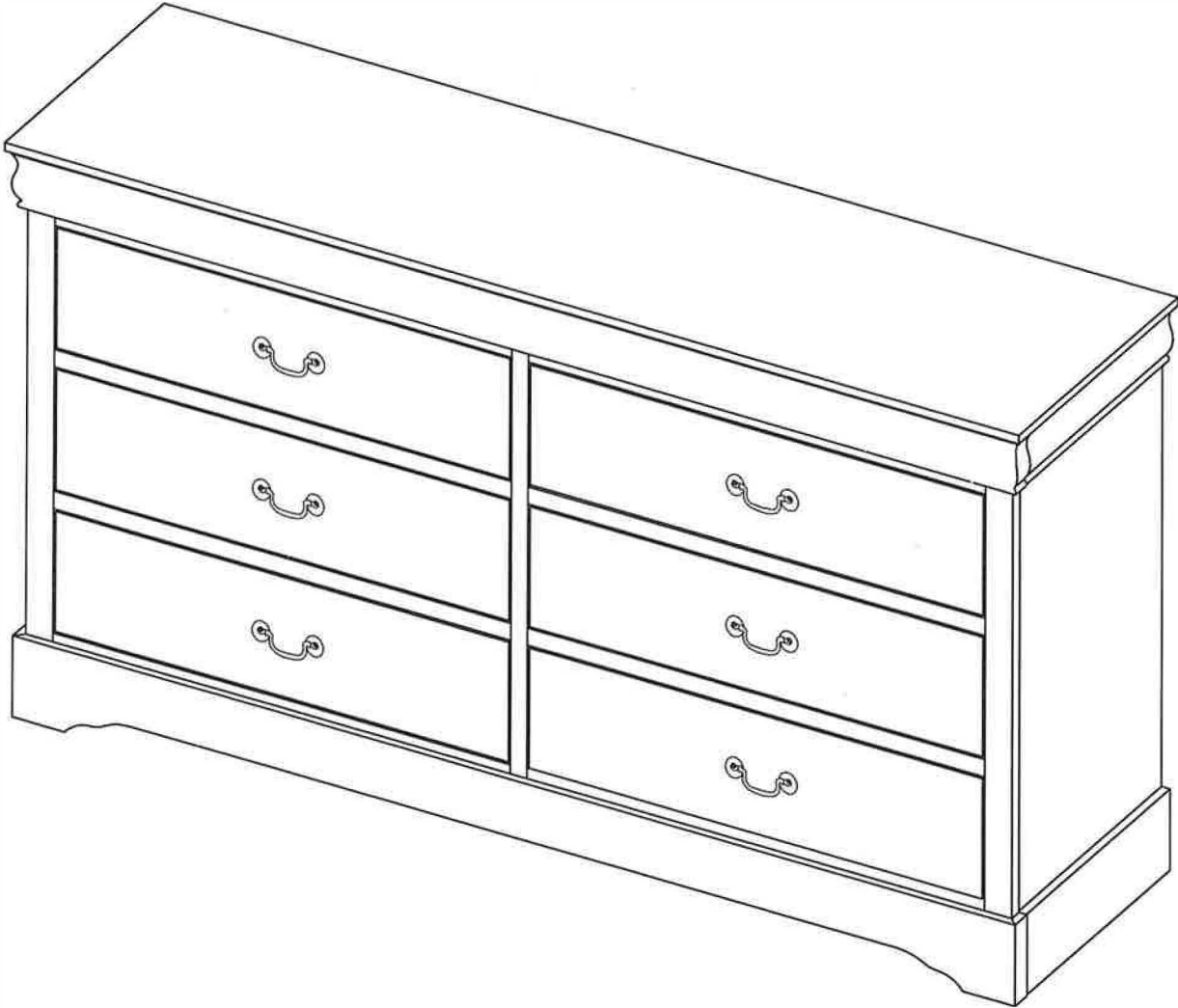

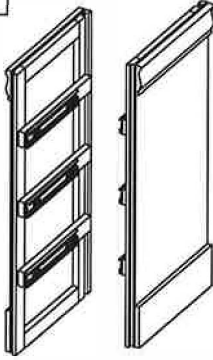
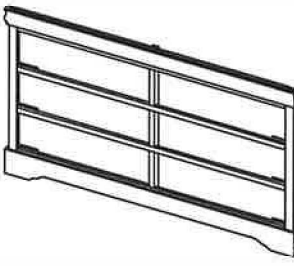
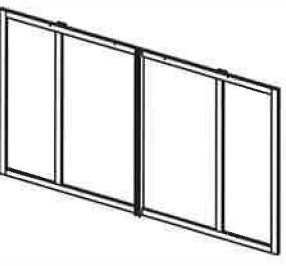
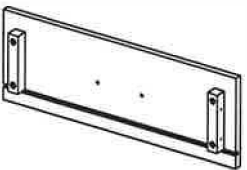
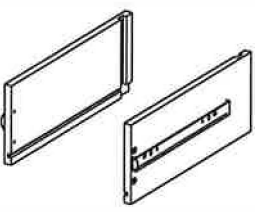
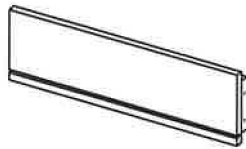

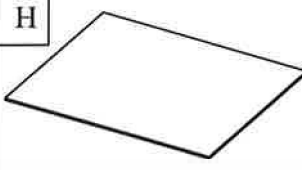


**ASSEMBLY INSTRUCTION  
DRESSER**

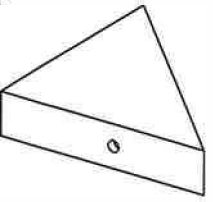
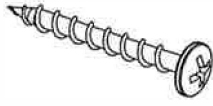
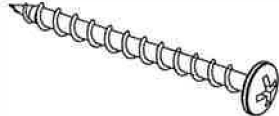
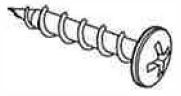
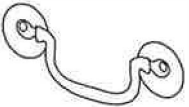



# ASSEMBLY INSTRUCTION DRESSER

## PARTS IDENTIFICATION

<p><b>A</b></p>  <p style="text-align: center;">Top - 1pc</p>	<p><b>B</b></p>  <p style="text-align: center;">Side - 2pcs</p>	<p><b>C</b></p>  <p style="text-align: center;">Front - 1pc</p>	<p><b>D</b></p>  <p style="text-align: center;">Back - 1pc</p>
<p><b>E</b></p>  <p style="text-align: center;">Drawer Front - 6pcs</p>	<p><b>F</b></p>  <p style="text-align: center;">Drawer Side - 12pcs</p>	<p><b>G</b></p>  <p style="text-align: center;">Drawer Back - 6pcs</p>	<p><b>I</b></p>  <p style="text-align: center;">Mid - 1pc</p>
<p><b>H</b></p>  <p style="text-align: center;">Drawer Bottom - 6pcs</p>			

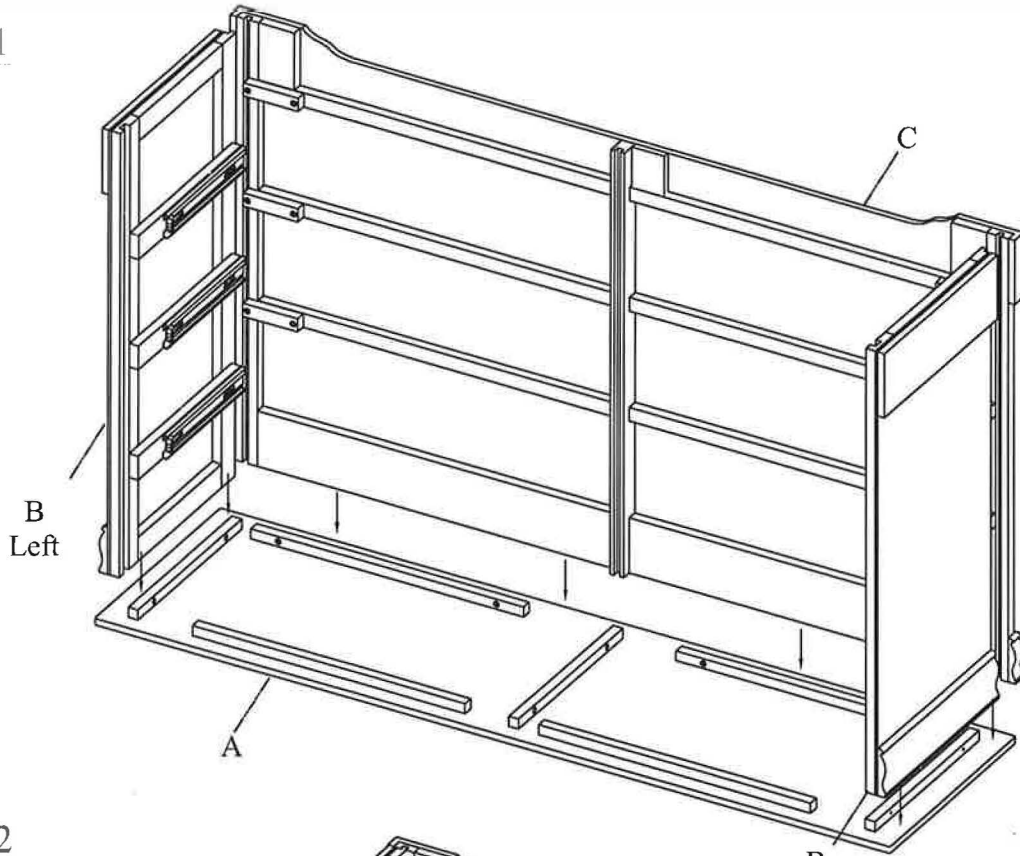
## HARDWARE & ILLUSTRATION

<p><b>1</b></p>  <p style="text-align: center;">Corner wood - 6 pcs</p>	<p><b>2</b></p>  <p style="text-align: center;">Ø4 x L25 mm Screws - 52 pcs</p>	<p><b>3</b></p>  <p style="text-align: center;">Ø4 x L35 mm Screws - 22 pcs</p>
<p><b>4</b></p>  <p style="text-align: center;">Ø4 x L15 mm (Yellow) Screws - 4 pcs</p>	<p><b>5</b></p>  <p style="text-align: center;">Handle - 6 pcs</p>	<p><b>6</b></p>  <p style="text-align: center;">Truss head screw- 12 pcs</p>

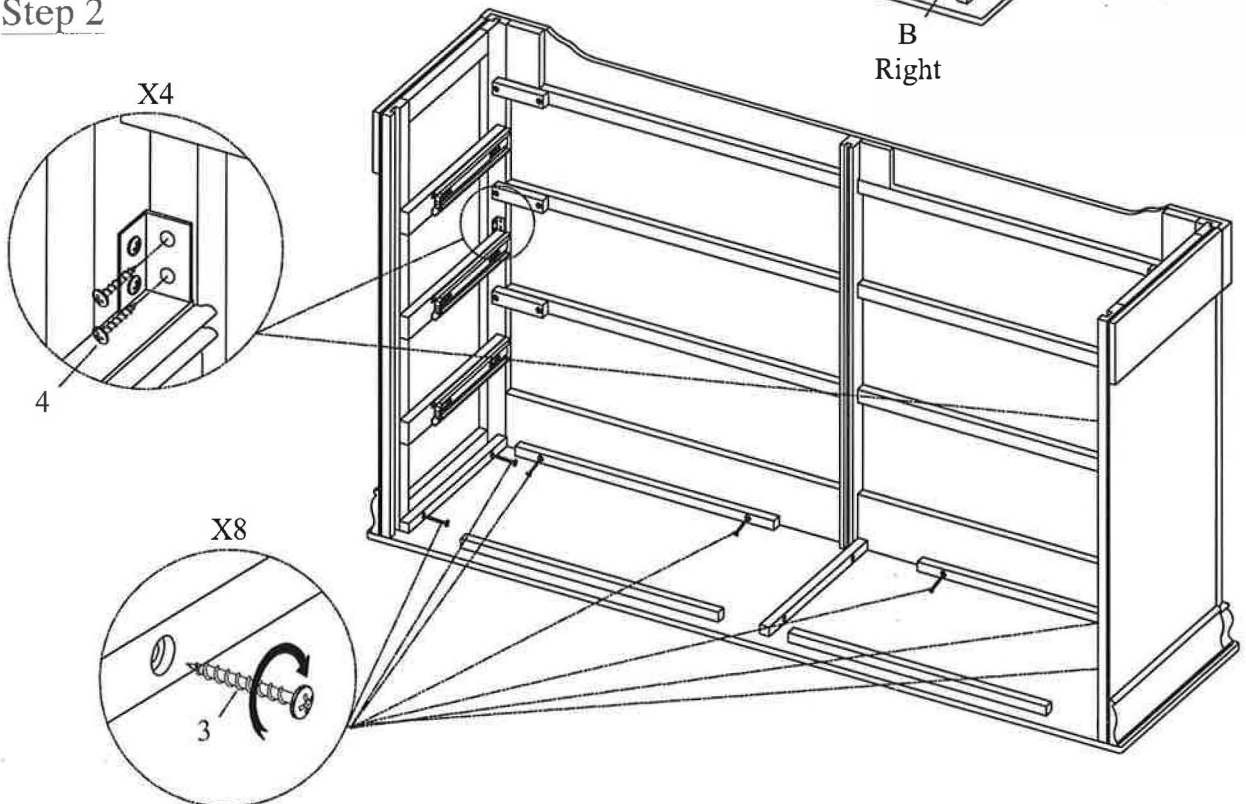
# ASSEMBLY INSTRUCTION

## DRESSER

### Step 1

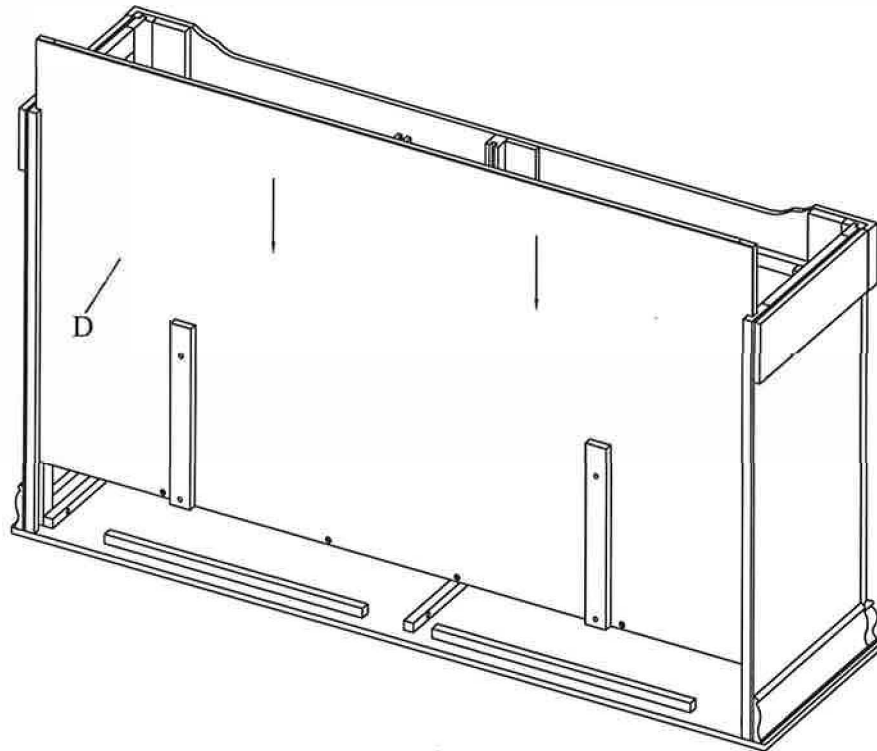


### Step 2

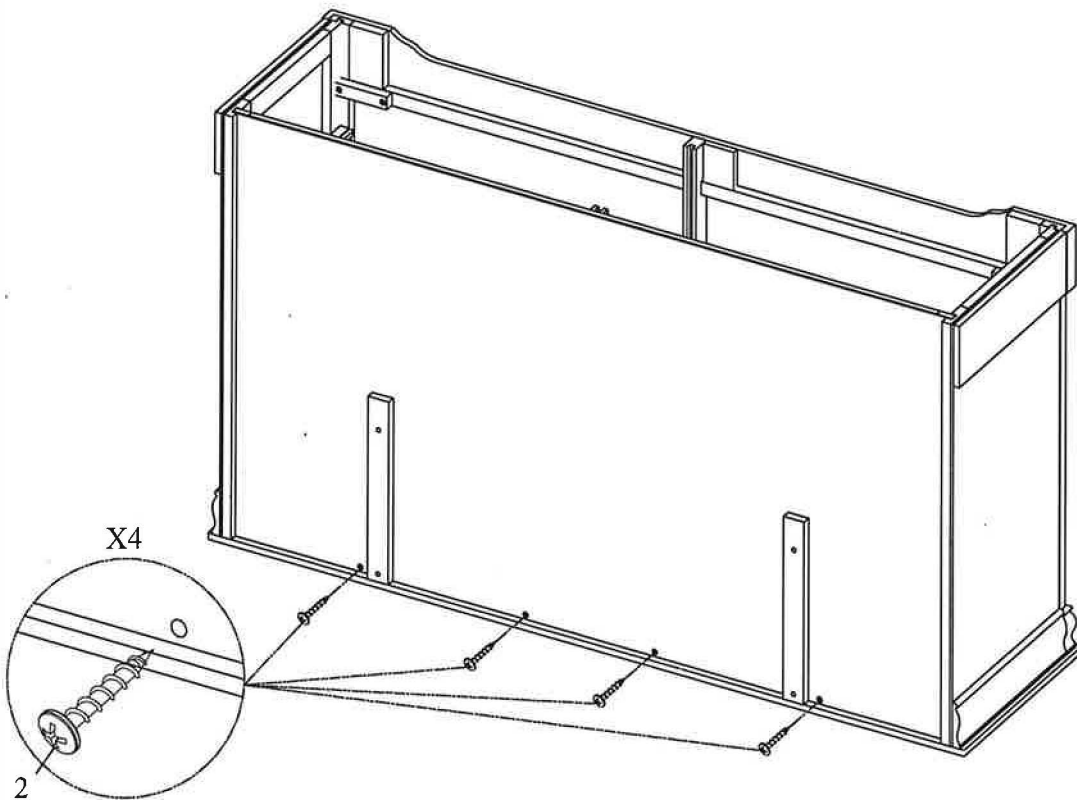


# ASSEMBLY INSTRUCTION DRESSER

Step 3

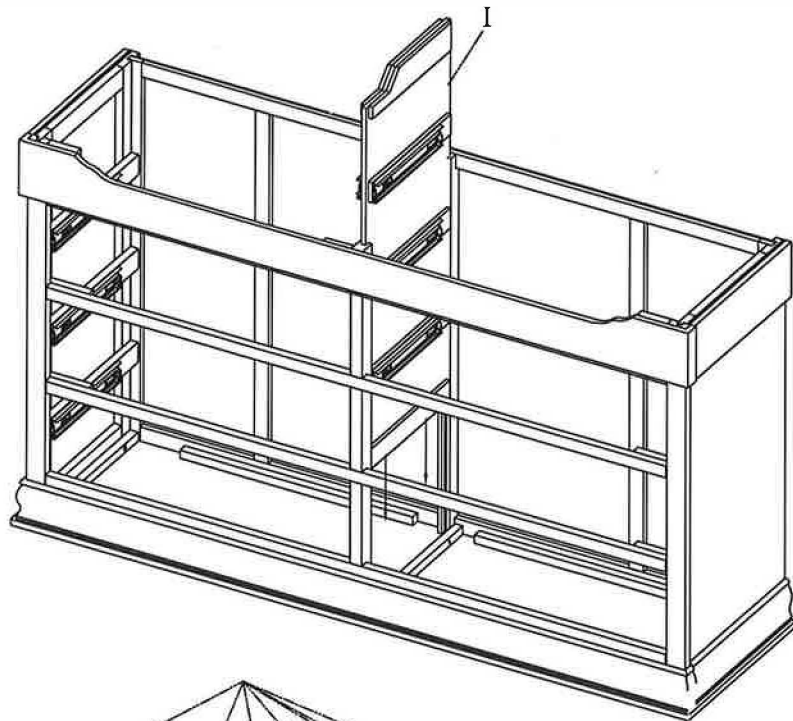


Step 4

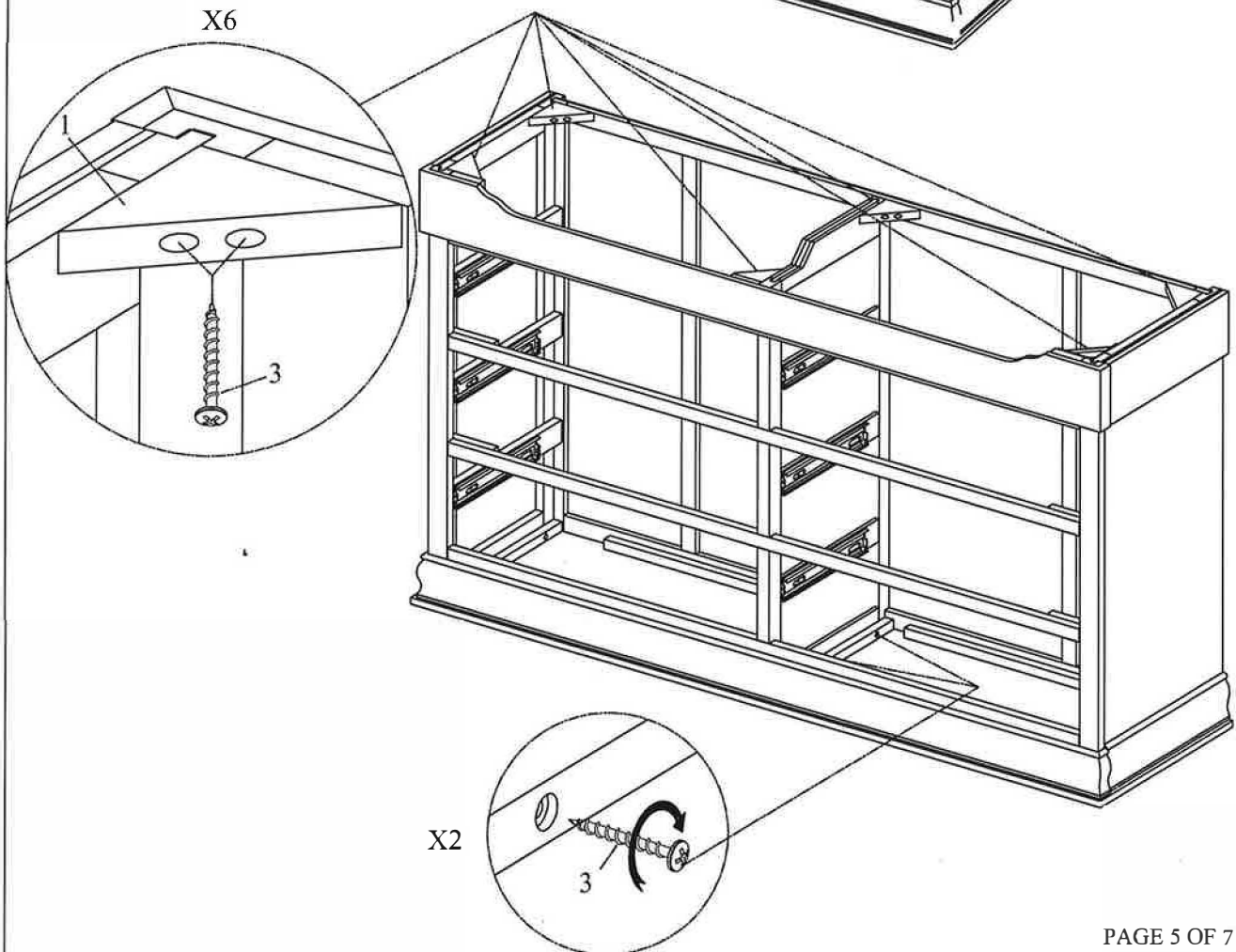


# ASSEMBLY INSTRUCTION DRESSER

Step 5

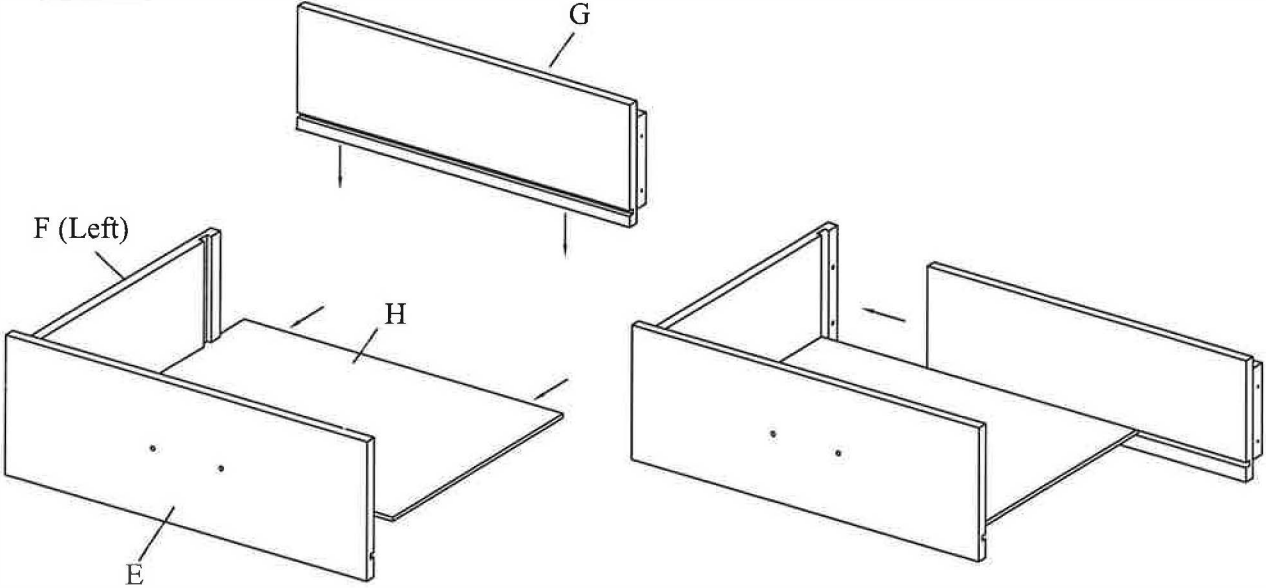


Step 6

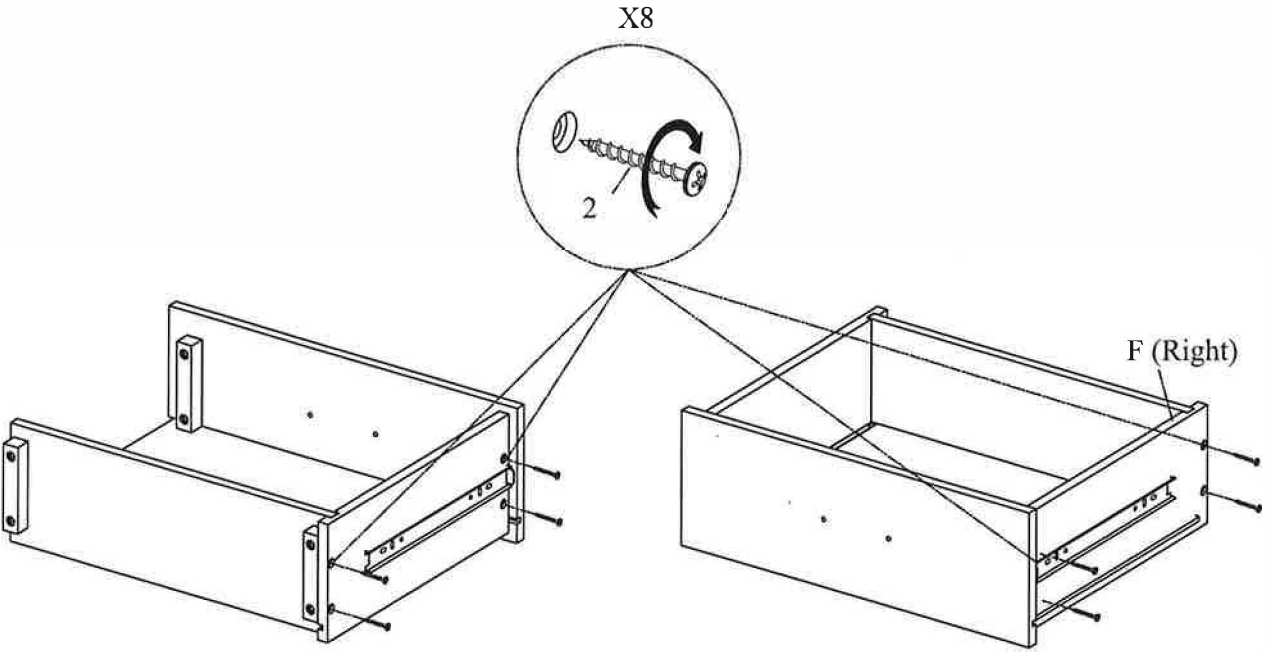


# ASSEMBLY INSTRUCTION DRESSER

## Step 7

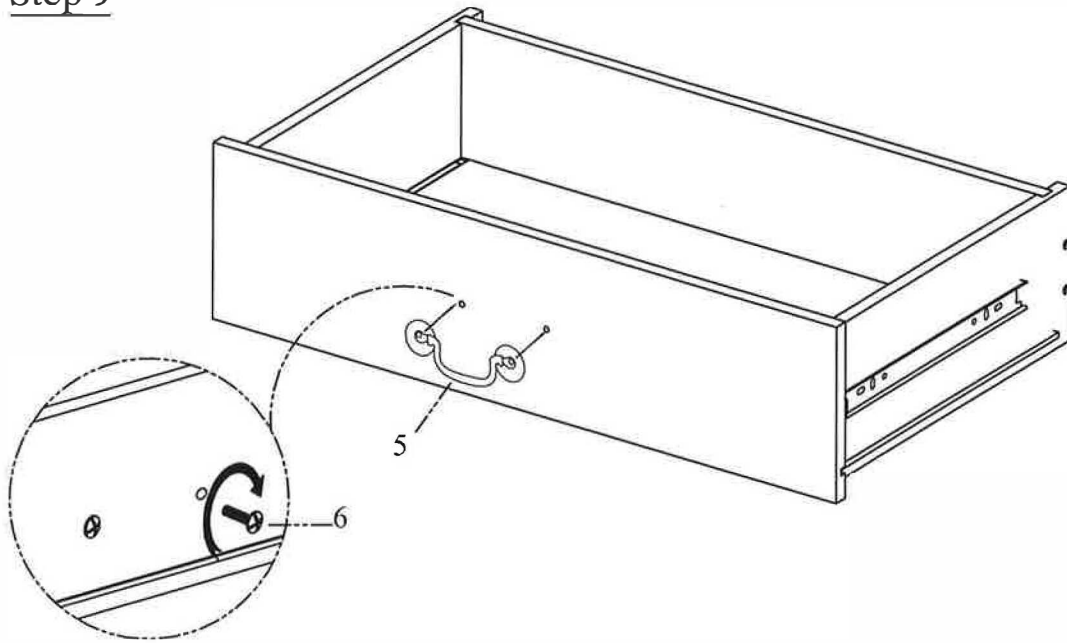


## Step 8



# ASSEMBLY INSTRUCTION DRESSER

## Step 9






## Step 10







ASSEMBLY IS NOW COMPLETE AND THANKS FOR YOUR PURCHASE  
Made in Viet Nam

# ASSEMBLY INSTRUCTION DRESSER & MIRROR

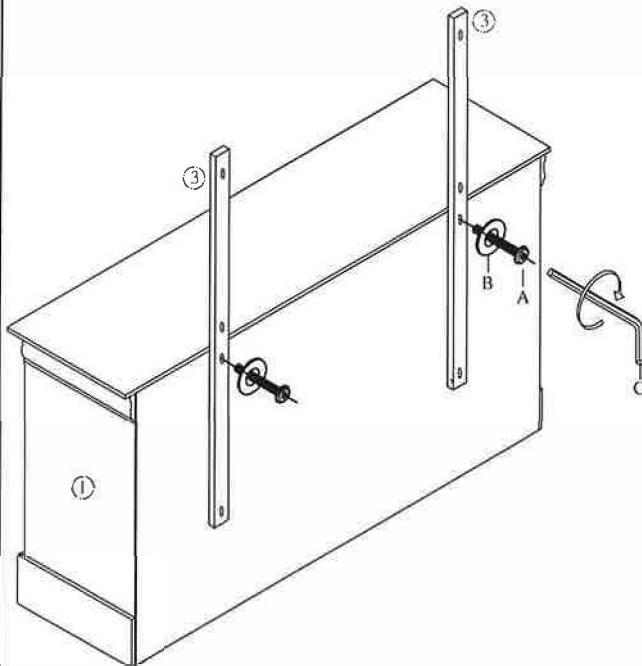
## Part Lists

NO.	Description	Sketch	Q'ty
1	Dresser		1 PC
2	Mirror		1 PC
3	Mirror supports		2 PCS

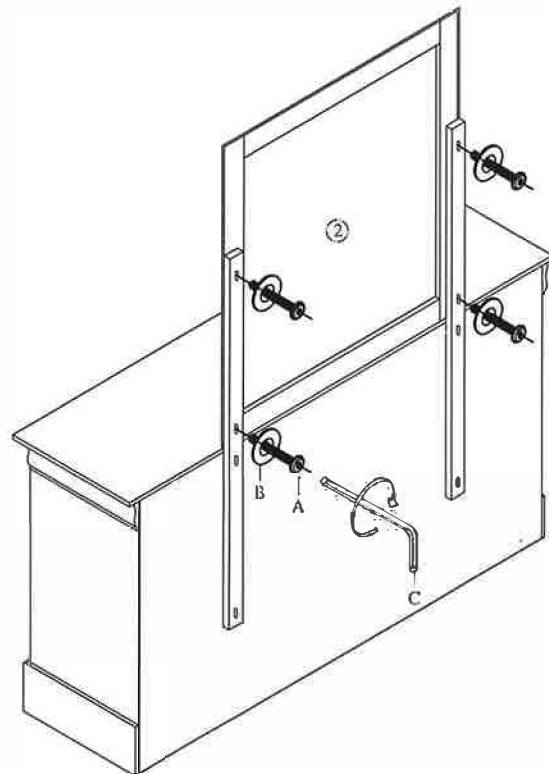
## Hardware Lists

NO.	Description	Sketch	Q'ty
A	Hex-Head bolts $\varnothing 1/4"$ x32		8 PCS
B	Flat washer		8 PCS
C	Lock washer		8 PCS
D	Allen key M4		1 PC

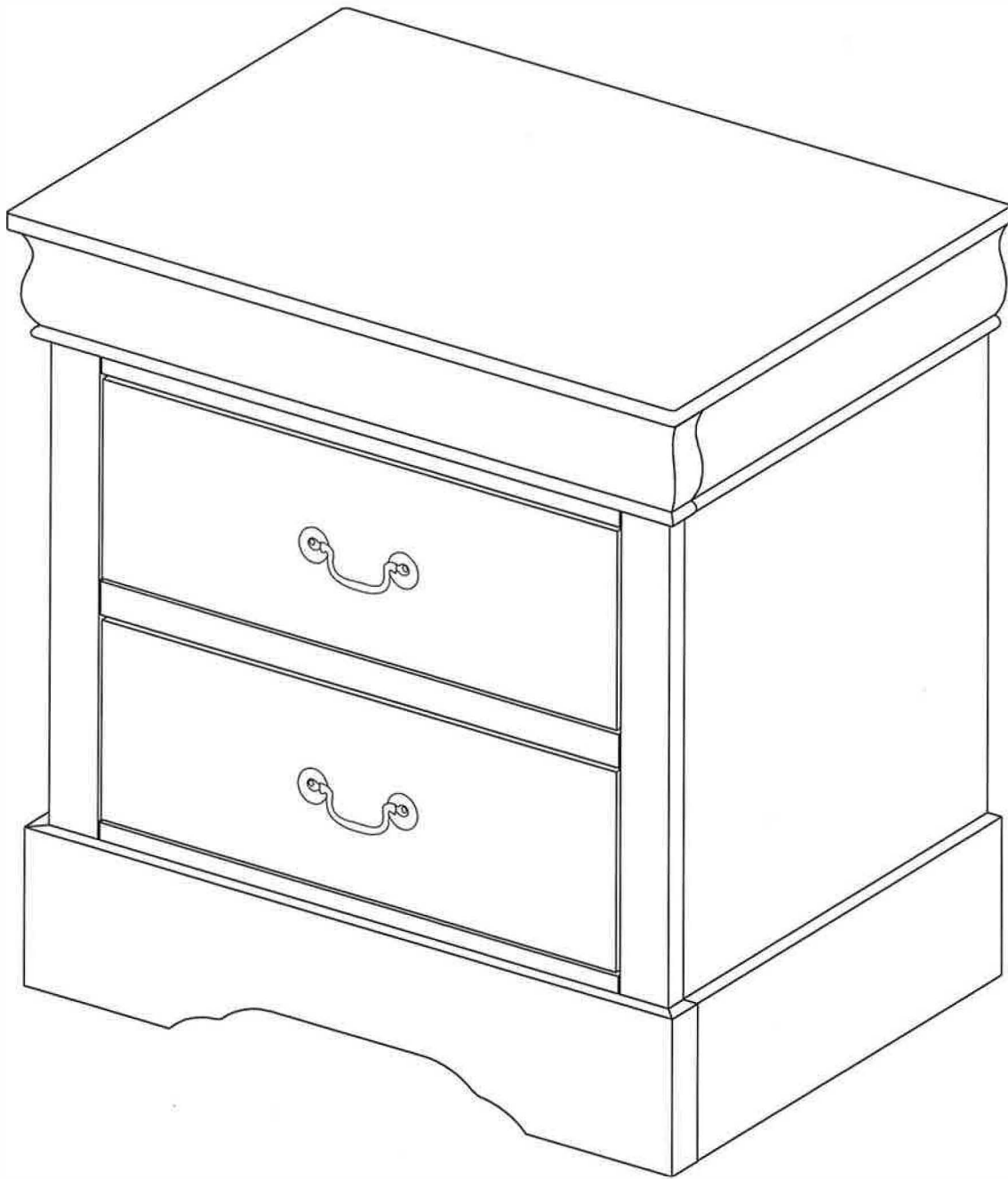
## Step 1



## Step 2

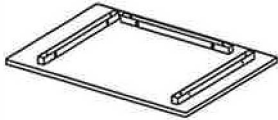
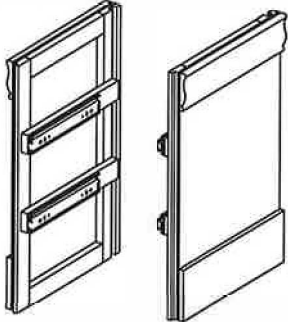

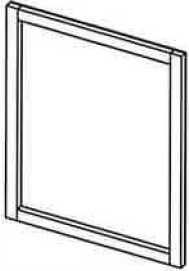
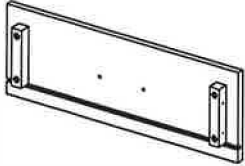
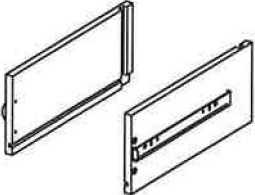
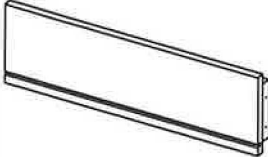
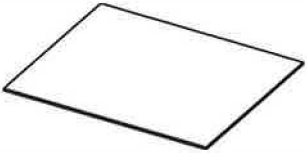


**ASSEMBLY INSTRUCTION  
NIGHTSTAND**

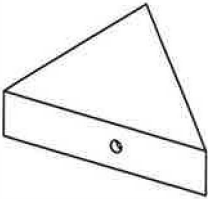
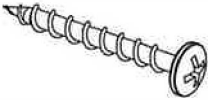
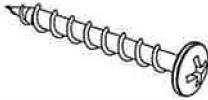




# ASSEMBLY INSTRUCTION NIGHTSTAND

## PARTS IDENTIFICATION

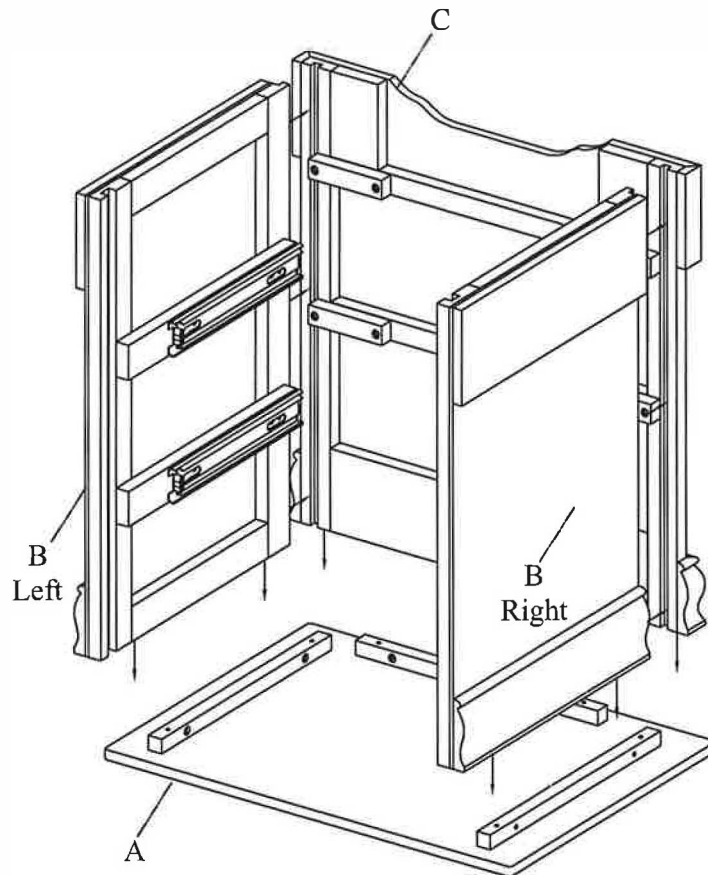
<p><b>A</b></p>  <p style="text-align: center;">Top - 1pc</p>	<p><b>B</b></p>  <p style="text-align: center;">Side - 2pcs</p>	<p><b>C</b></p>  <p style="text-align: center;">Front - 1pc</p>	<p><b>D</b></p>  <p style="text-align: center;">Back - 1pc</p>
<p><b>E</b></p>  <p style="text-align: center;">Drawer Front - 2pcs</p>	<p><b>F</b></p>  <p style="text-align: center;">Drawer Side - 4pcs</p>	<p><b>G</b></p>  <p style="text-align: center;">Drawer Back - 2pcs</p>	<p><b>H</b></p>  <p style="text-align: center;">Drawer Bottom - 2pcs</p>

## HARDWARE & ILLUSTRATION

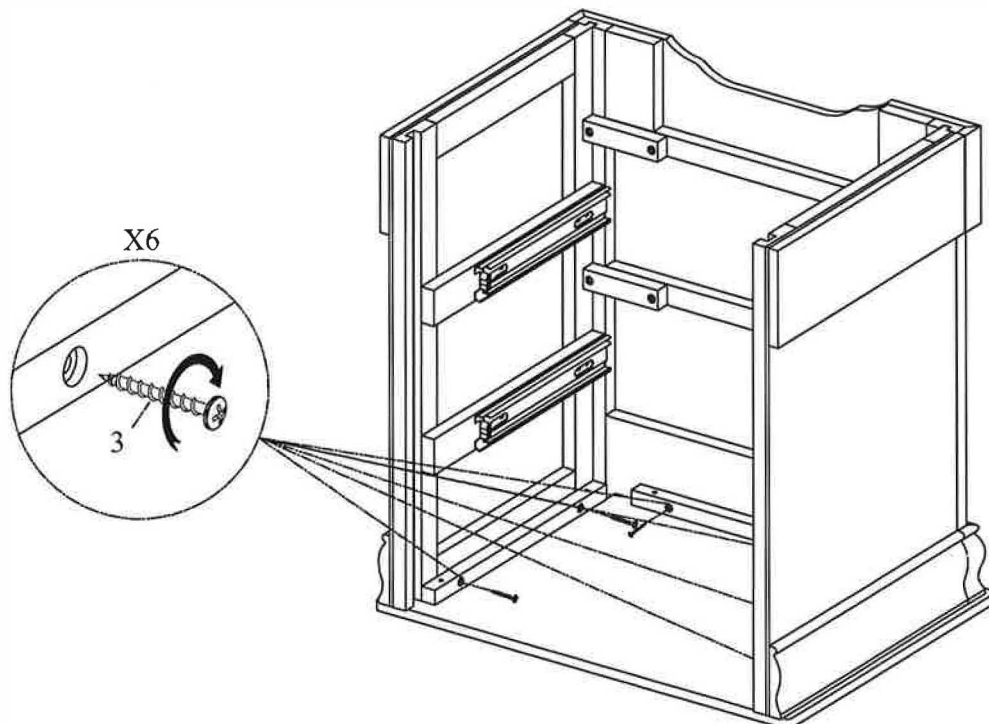
<p><b>1</b></p>  <p style="text-align: center;">Corner wood - 4 pcs</p>	<p><b>2</b></p>  <p style="text-align: center;">Ø4 x L25 mm Screws - 16 pcs</p>	<p><b>3</b></p>  <p style="text-align: center;">Ø4 x L35 mm Screws - 14 pcs</p>
<p><b>4</b></p>  <p style="text-align: center;">Handle - 2 pcs</p>	<p><b>5</b></p>  <p style="text-align: center;">Truss head screw- 4 pcs</p>	

# ASSEMBLY INSTRUCTION NIGHTSTAND

## Step 1

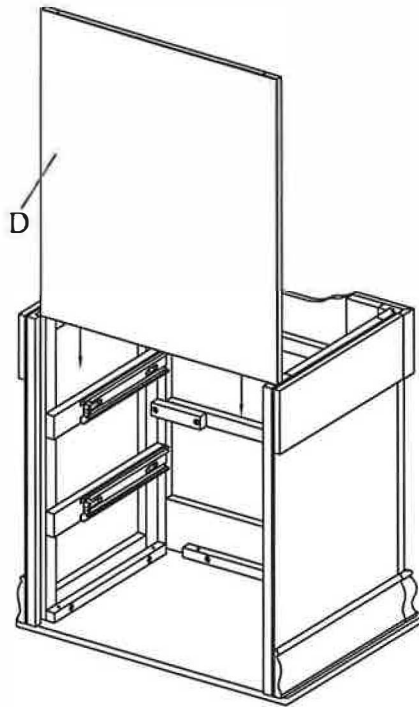


## Step 2

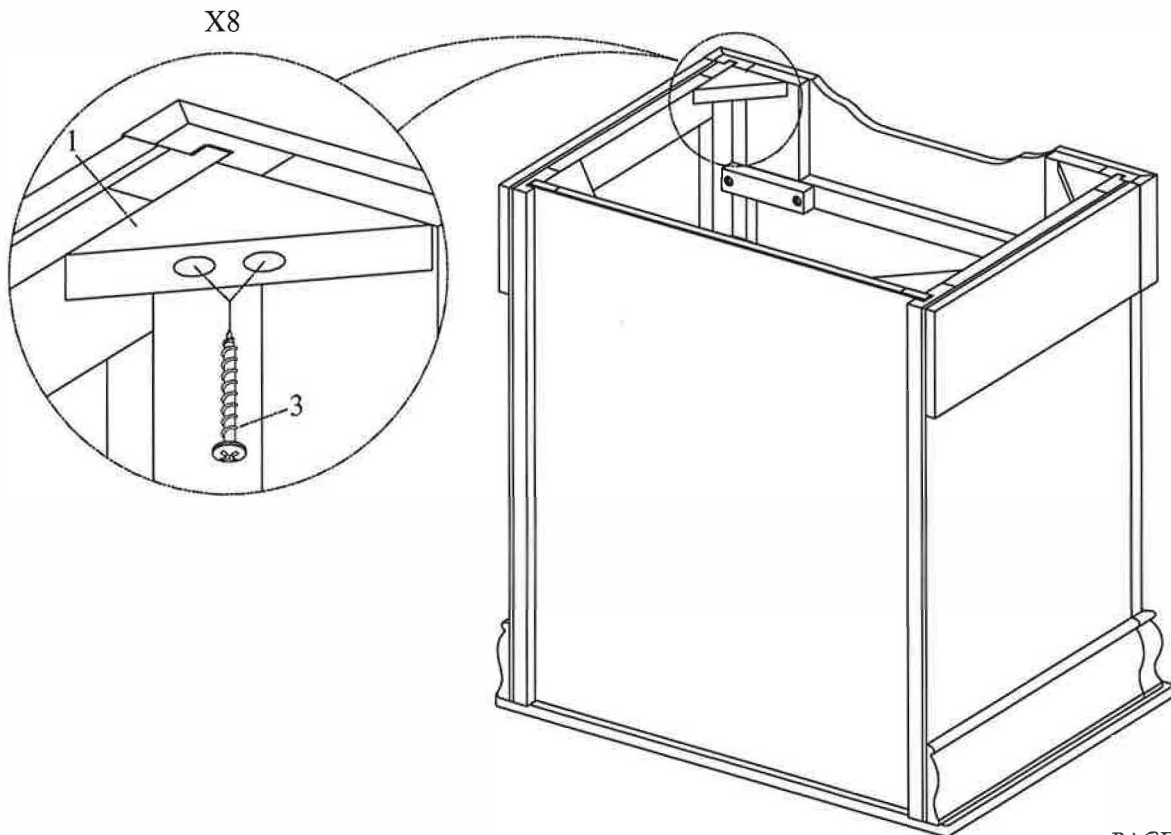


# ASSEMBLY INSTRUCTION NIGHTSTAND

## Step 3

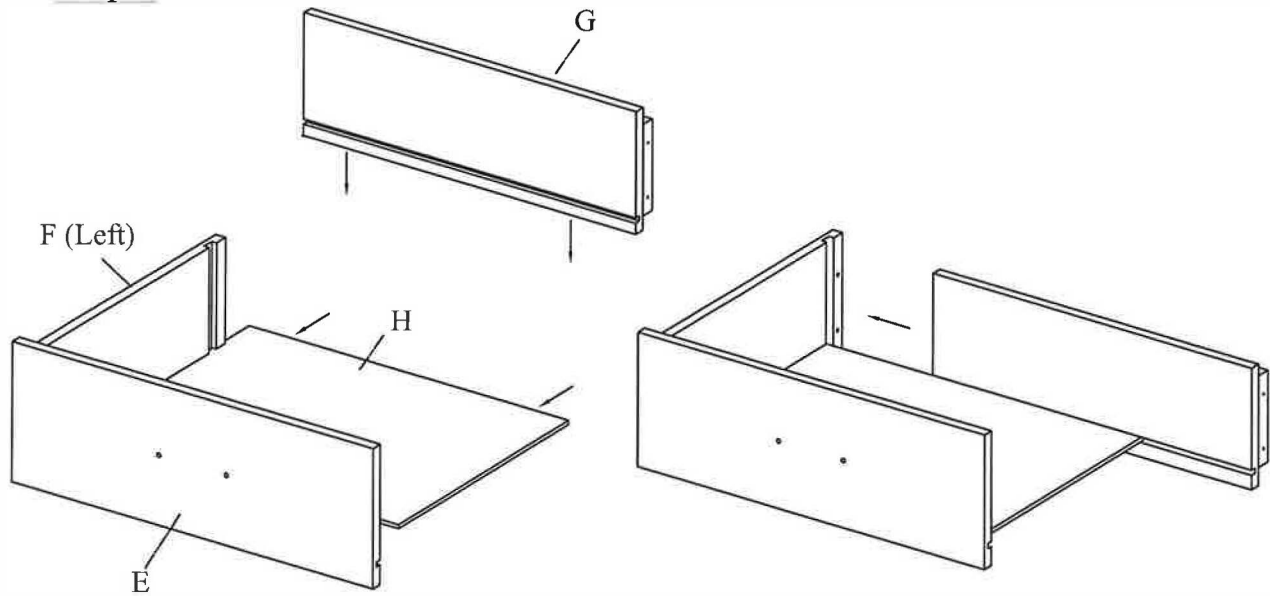


## Step 4

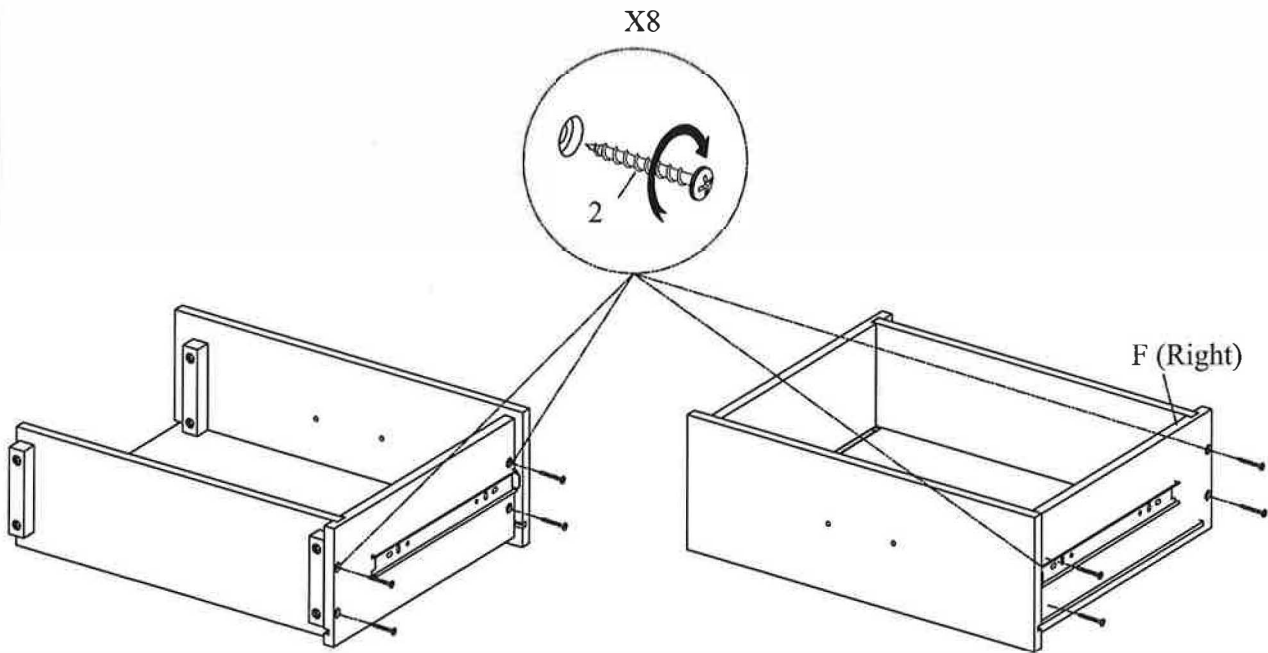


# ASSEMBLY INSTRUCTION NIGHTSTAND

## Step 5

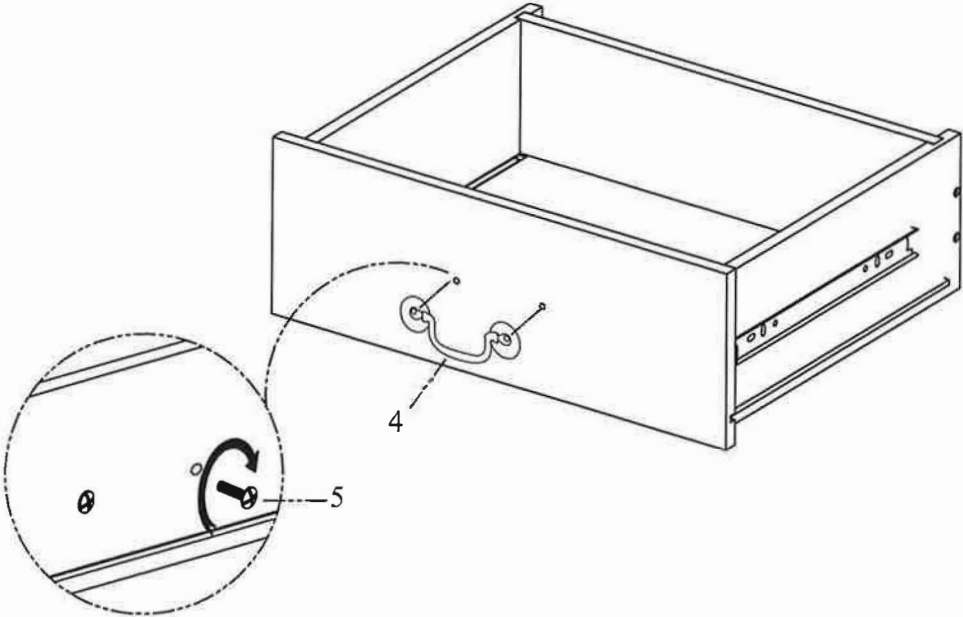


## Step 6

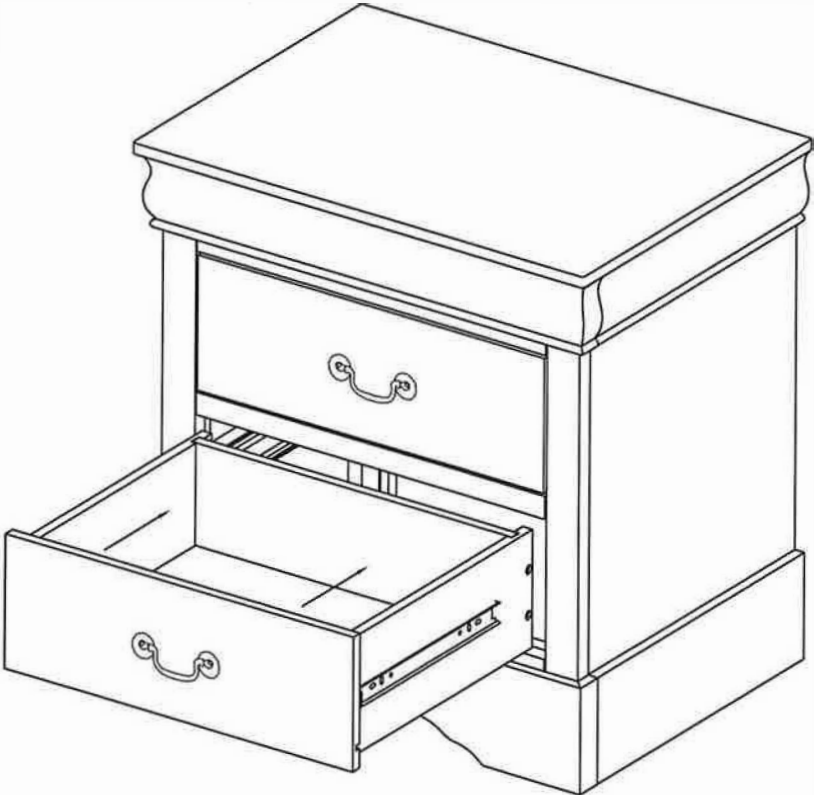


# ASSEMBLY INSTRUCTION NIGHTSTAND

## Step 7

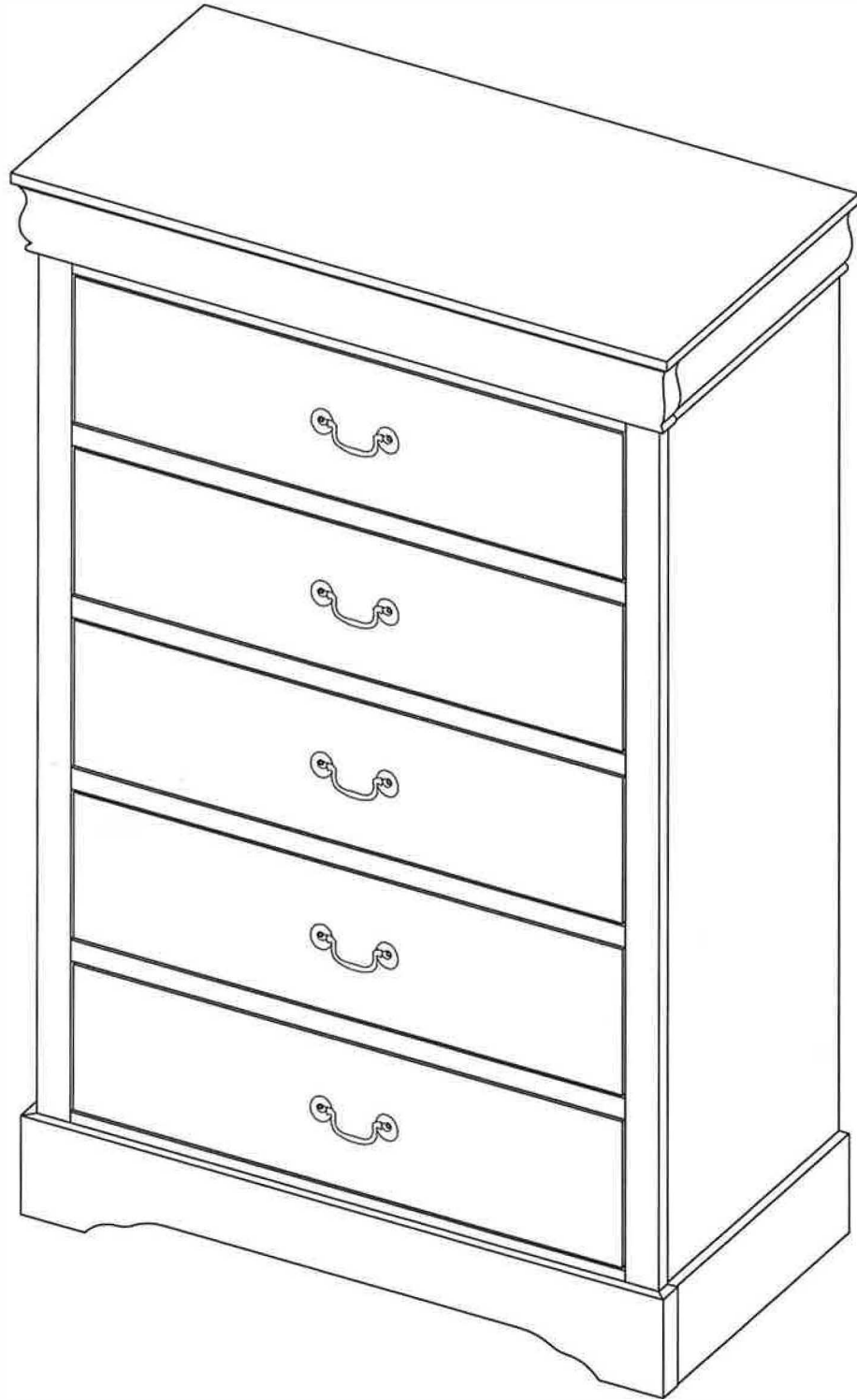


## Step 8




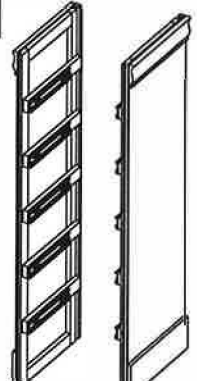
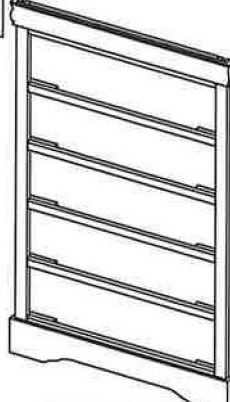
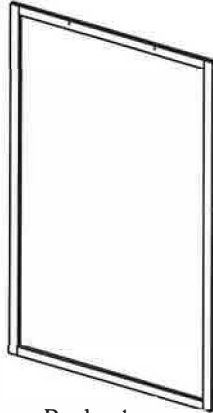
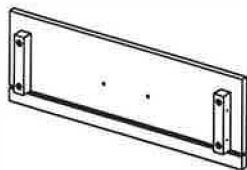
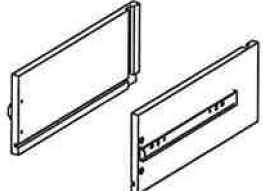
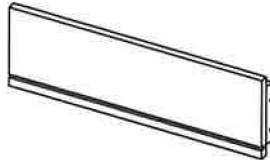
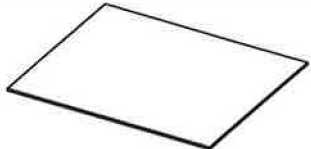
ASSEMBLY IS NOW COMPLETE AND THANKS FOR YOUR PURCHASE  
Made in Viet Nam

**ASSEMBLY INSTRUCTION  
DRAWER CHEST**

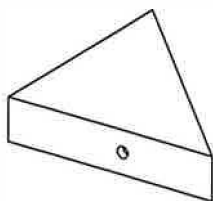
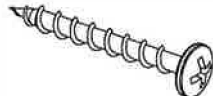
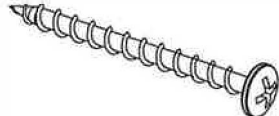
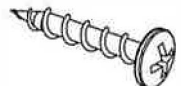
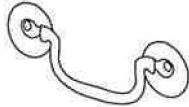



# ASSEMBLY INSTRUCTION DRAWER CHEST

## PARTS IDENTIFICATION

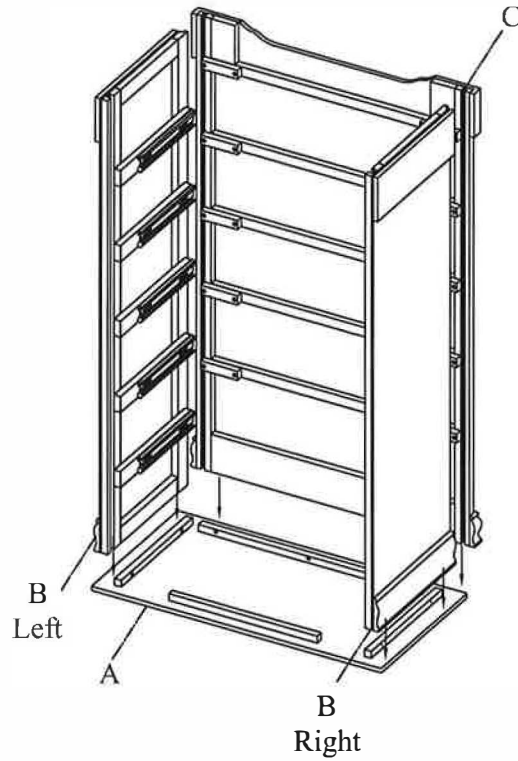
<p><b>A</b></p>  <p style="text-align: center;">Top - 1pc</p>	<p><b>B</b></p>  <p style="text-align: center;">Side - 2pcs</p>	<p><b>C</b></p>  <p style="text-align: center;">Front - 1pc</p>	<p><b>D</b></p>  <p style="text-align: center;">Back - 1pc</p>
<p><b>E</b></p>  <p style="text-align: center;">Drawer Front - 5pcs</p>	<p><b>F</b></p>  <p style="text-align: center;">Drawer Side - 10pcs</p>	<p><b>G</b></p>  <p style="text-align: center;">Drawer Back - 5pcs</p>	<p><b>H</b></p>  <p style="text-align: center;">Drawer Bottom - 5pcs</p>

## HARDWARE & ILLUSTRATION

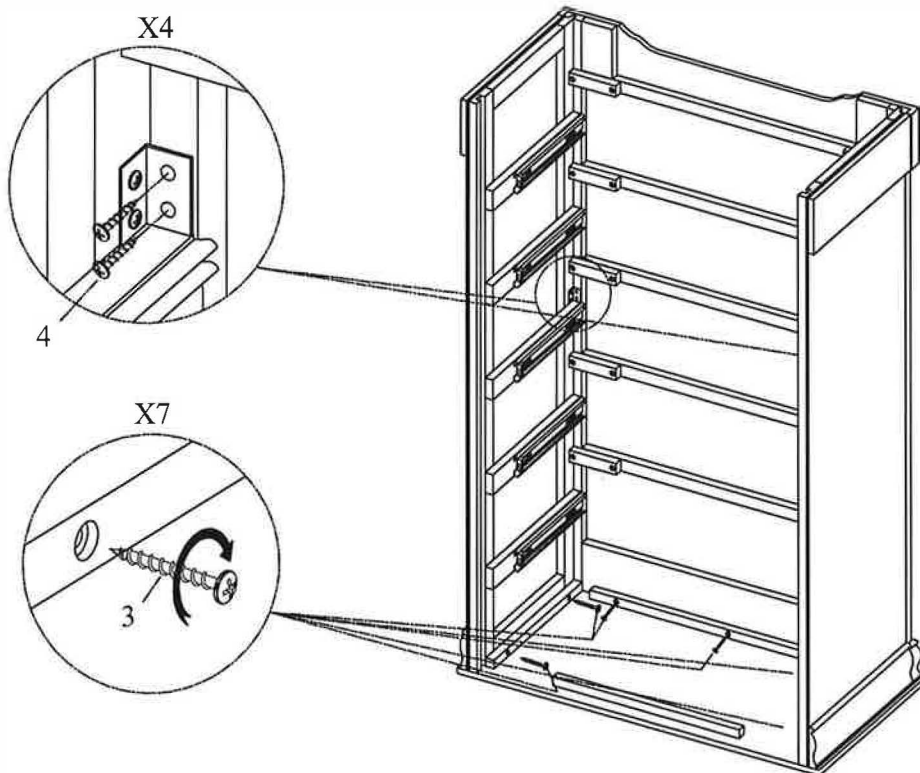
<p><b>1</b></p>  <p style="text-align: center;">Corner wood - 4 pcs</p>	<p><b>2</b></p>  <p style="text-align: center;">Ø4 x L25 mm Screws - 42 pcs</p>	<p><b>3</b></p>  <p style="text-align: center;">Ø4 x L35 mm Screws - 15 pcs</p>
<p><b>4</b></p>  <p style="text-align: center;">Ø4 x L15 mm (Yellow) Screws - 4 pcs</p>	<p><b>5</b></p>  <p style="text-align: center;">Handle - 5 pcs</p>	<p><b>6</b></p>  <p style="text-align: center;">Truss head screw- 10 pcs</p>

# ASSEMBLY INSTRUCTION DRAWER CHEST

## Step 1

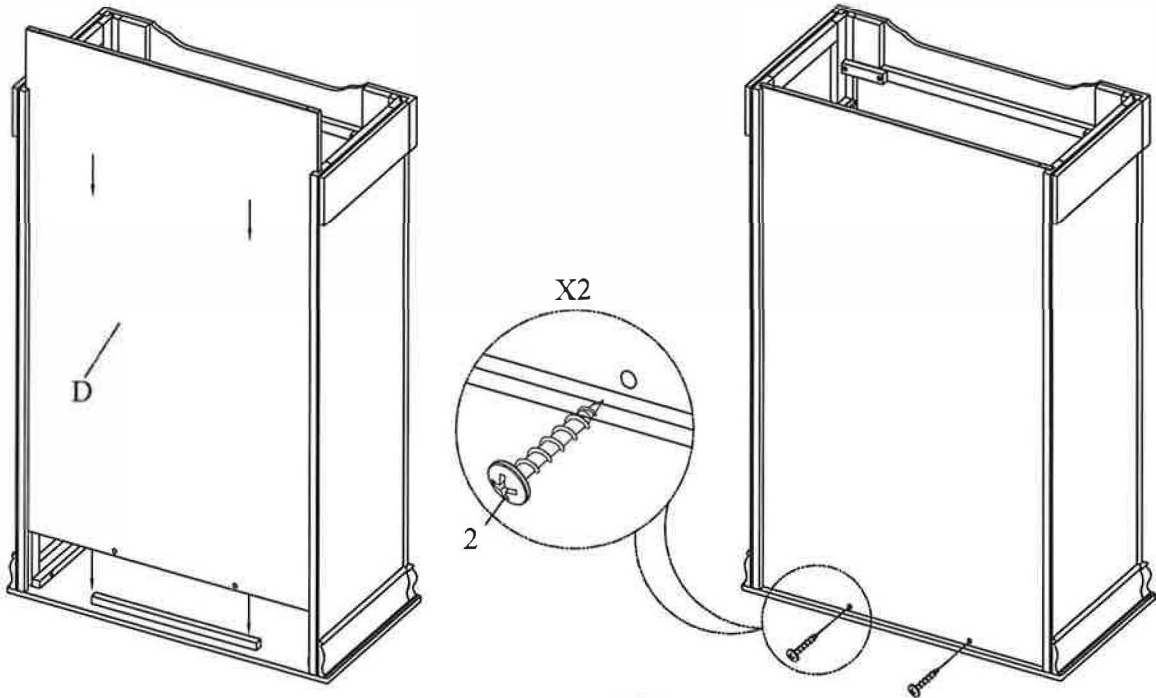


## Step 2

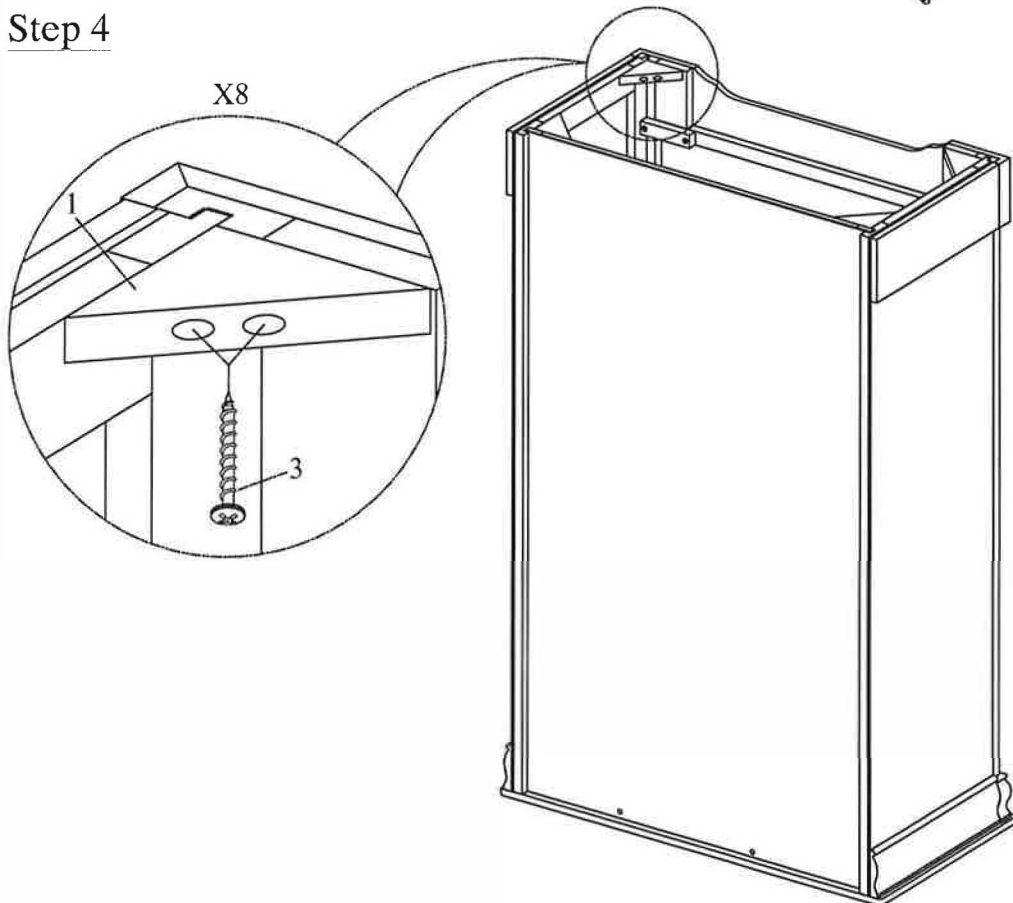


# ASSEMBLY INSTRUCTION DRAWER CHEST

## Step 3

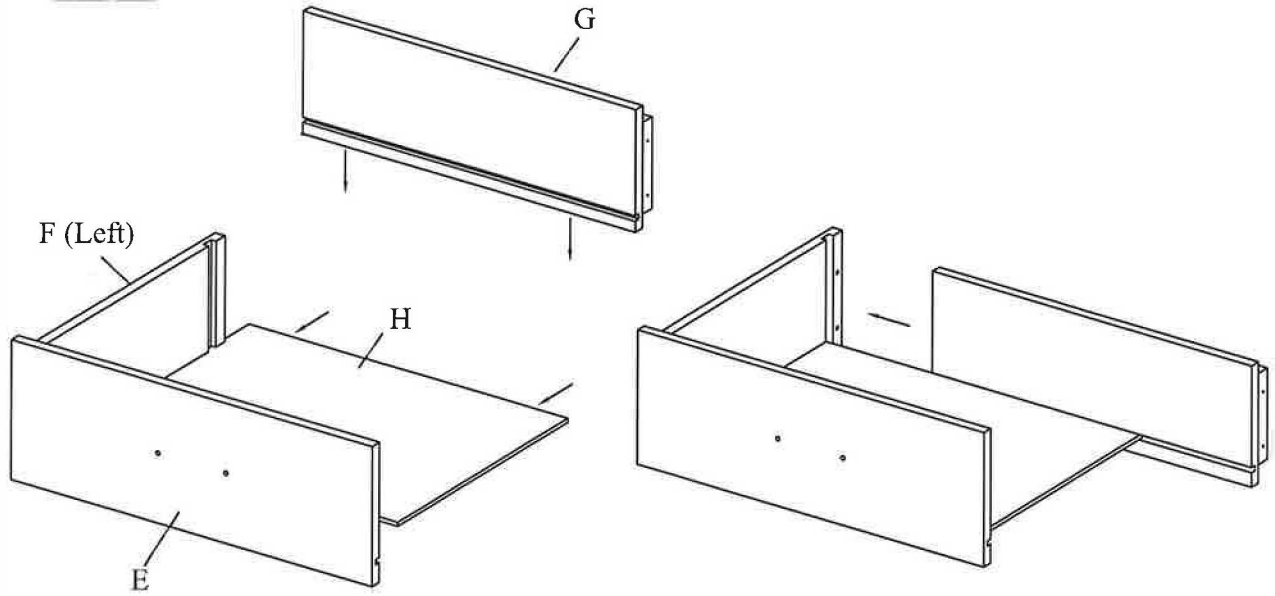


## Step 4

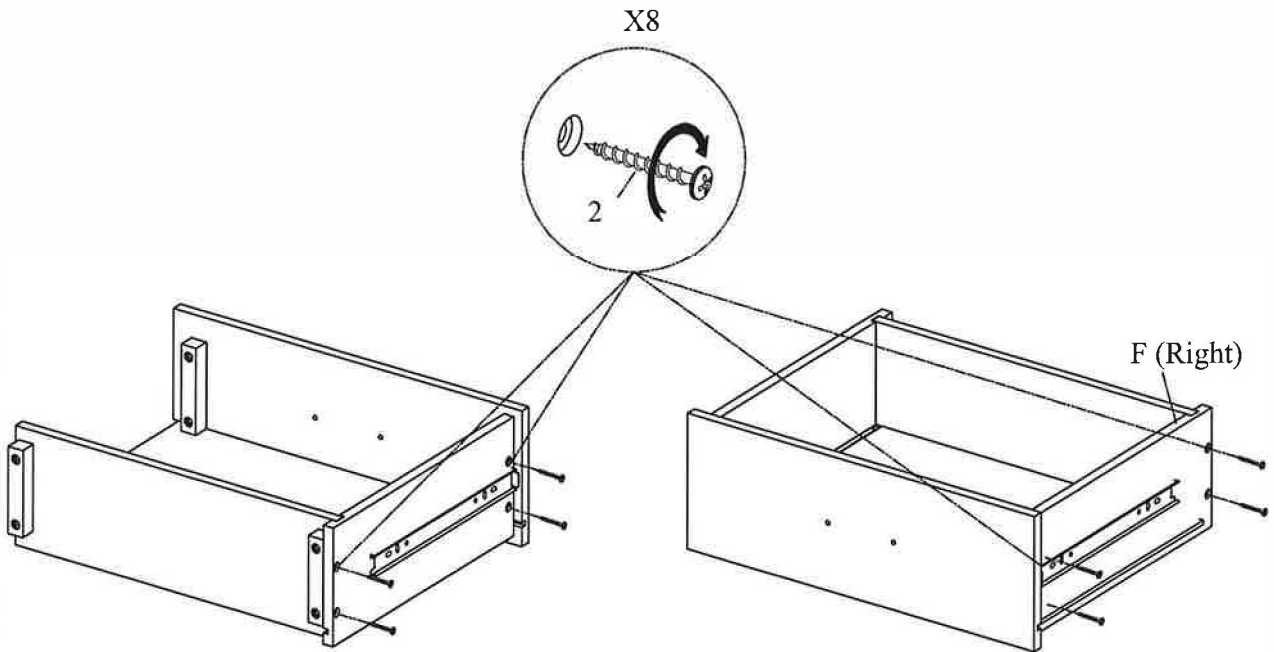


# ASSEMBLY INSTRUCTION DRAWER CHEST

## Step 5

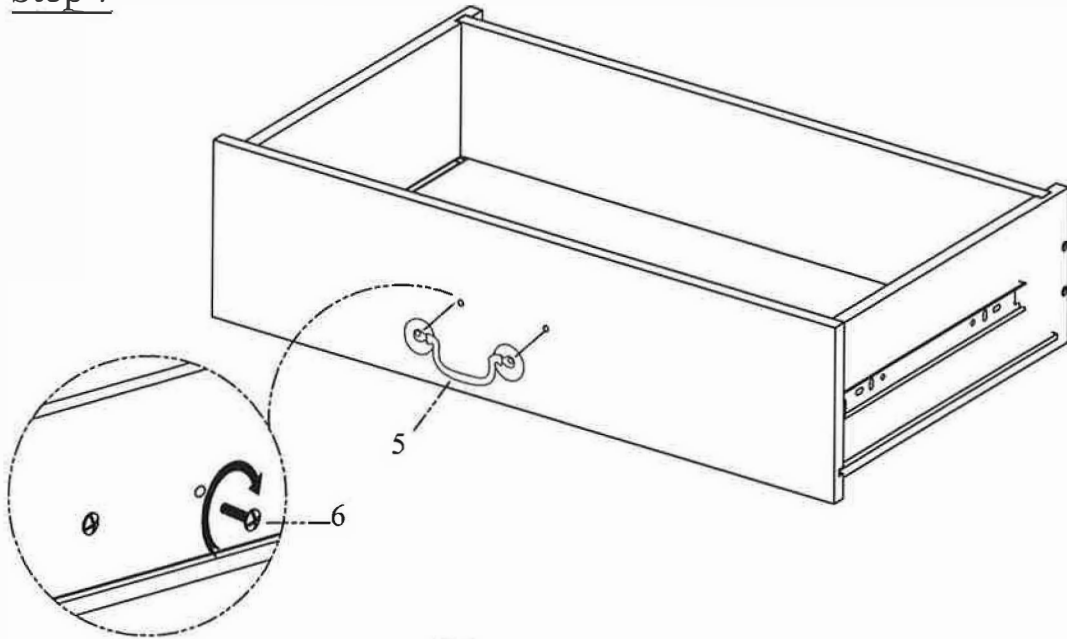


## Step 6

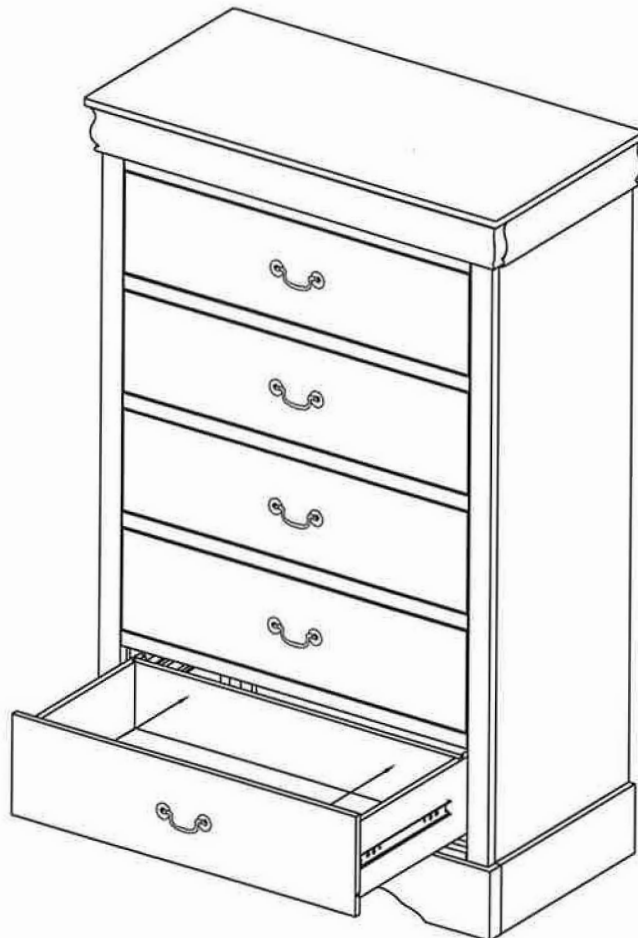


# ASSEMBLY INSTRUCTION DRAWER CHEST

## Step 7



## Step 8



ASSEMBLY IS NOW COMPLETE AND THANKS FOR YOUR PURCHASE  
Made in Viet Nam