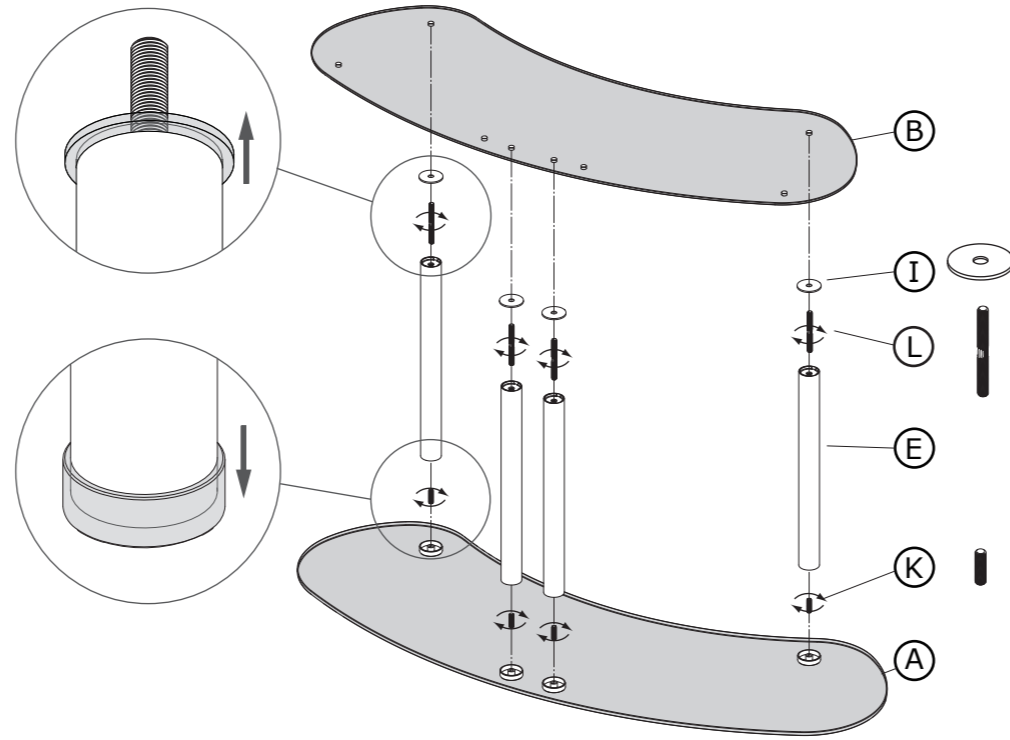
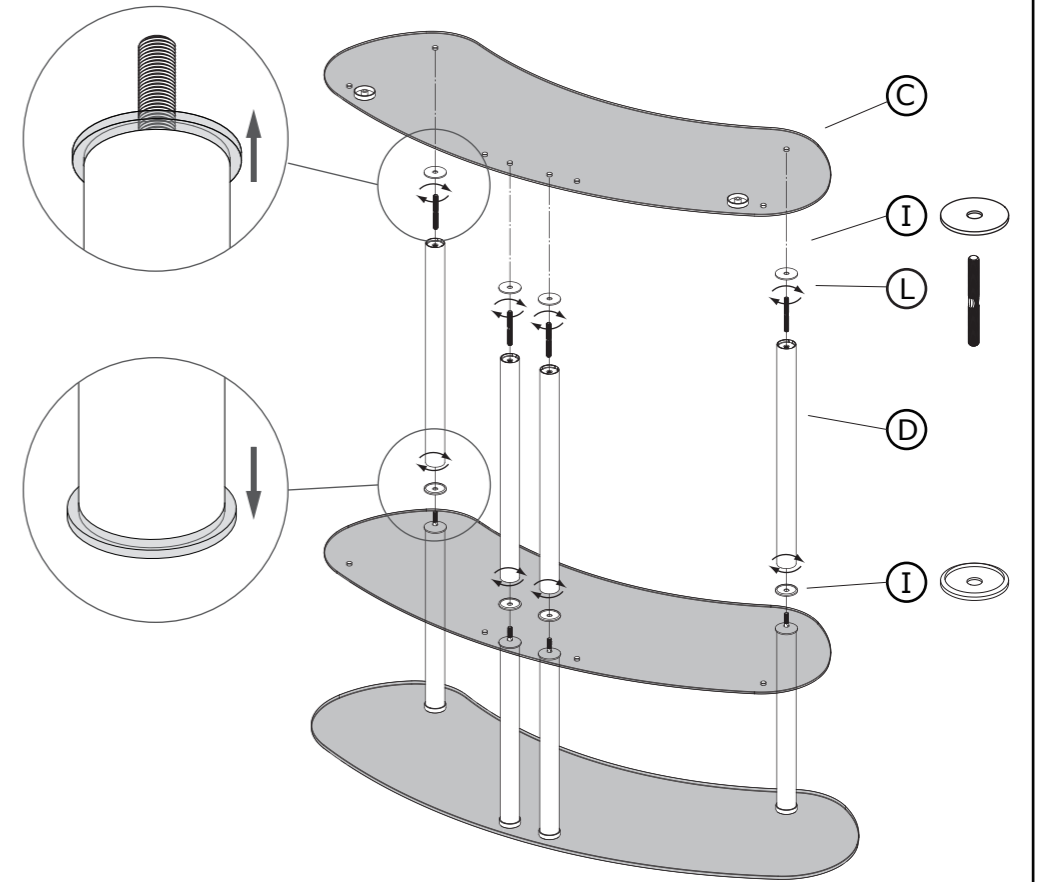


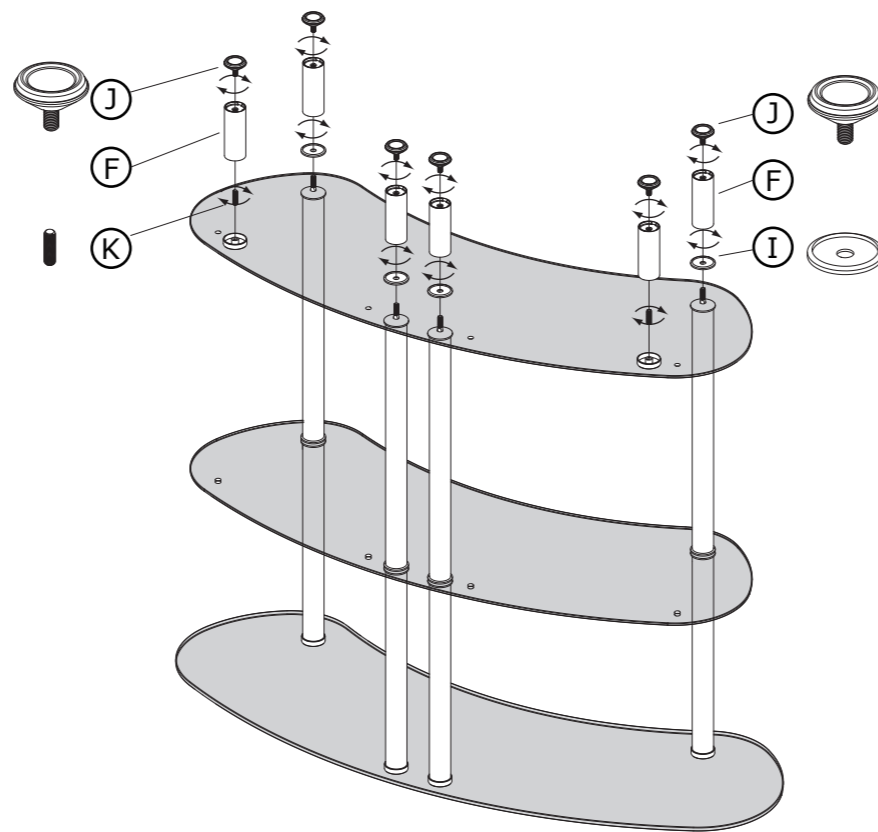
1



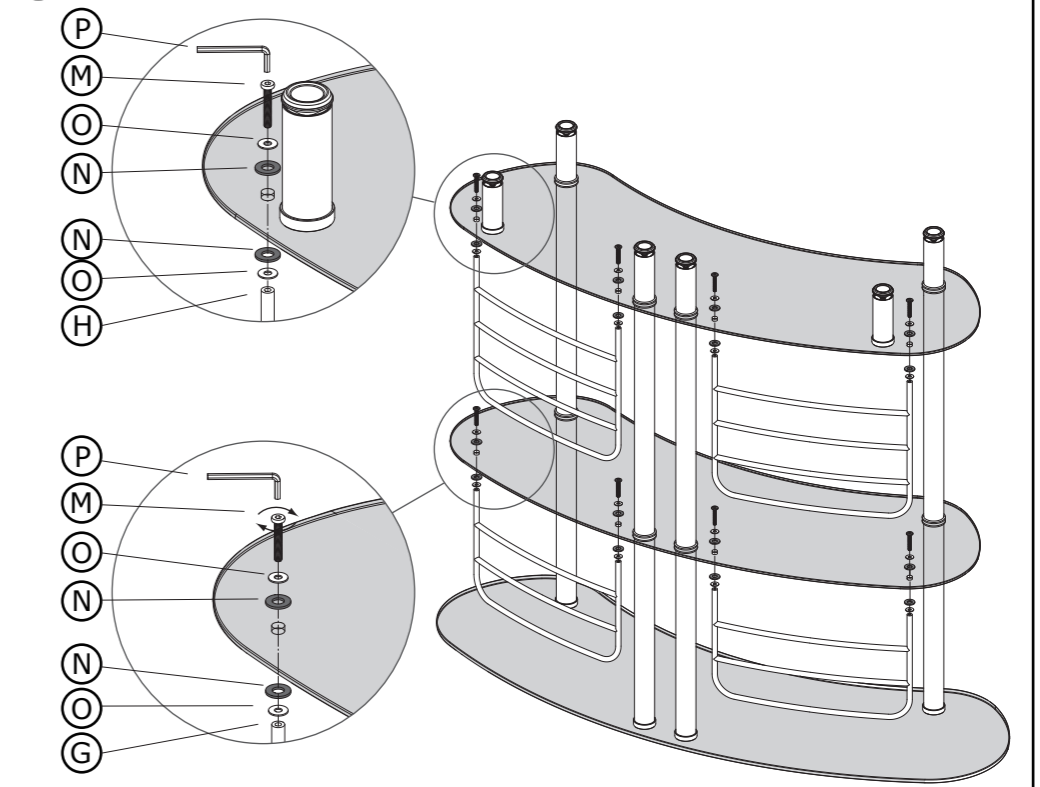
2



3



4



- |     |  |    |     |  |     |
|-----|--|----|-----|--|-----|
| (A) |  | x1 | (I) |  | x16 |
| (B) |  | x1 | (J) |  | x6  |
| (C) |  | x1 | (K) |  | x6  |
| (D) |  | x4 | (L) |  | x8  |
| (E) |  | x4 | (M) |  | x8  |
| (F) |  | x6 | (N) |  | x16 |
| (G) |  | x2 | (O) |  | x16 |
| (H) |  | x2 | (P) |  | x1  |