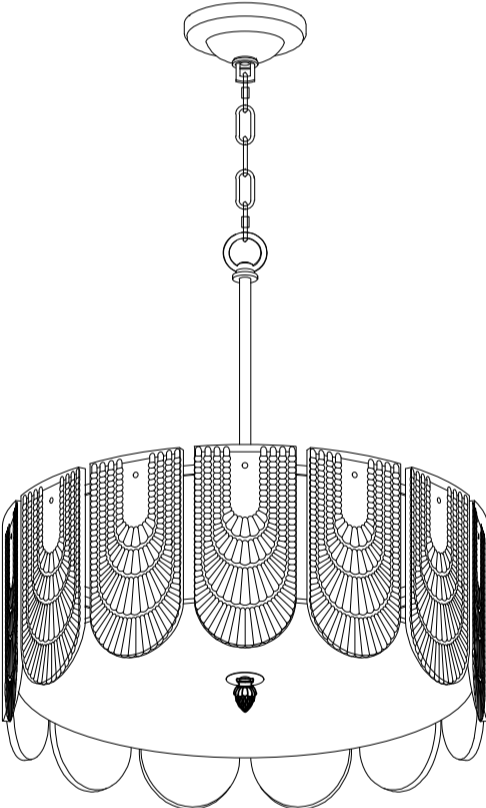
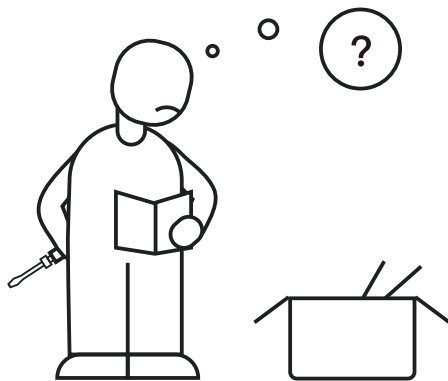


Manual Book

Crystal Chandelier





Please contact us in following format:



Safety Rules

WARNING: BE SURE THE ELECTRICITY TO THE WIRES YOU ARE WORKING ON IS SHUT OFF; EITHER THE FUSE IS REMOVED OR THE CIRCUIT BREAKER IS TURNED OFF. TURNING THE POWER OFF USING THE LIGHT SWITCH IS NOT SUFFICIENT TO PREVENT ELECTRICAL SHOCK.

NOTE: The important safeguards and instructions appearing in this manual are not meant to cover all possible conditions or situations that may occur. It must be understood that common sense, caution, and care, are factors which cannot be built into any product. These factors must be supplied by the person(s) installing this unit.

READ & SAVE THESE INSTRUCTIONS

CAUTION: Before assembling the lighting fixture, refer to the section titled Wiring Connections. If you feel you do not have enough electrical wiring experience, either refer to a do-it-yourself wiring handbook or have your lighting fixture installed by a qualified, licensed electrician.

UNPACK THE PACKAGE

Check the contents to be sure everything is included

Tools Needed: Slotted screwdriver, Adjustable wrench, Step ladder, Wire cutters, wiring supplies as required by electrical code.

INSTALLATION & OPERATION INSTRUCTIONS GENERAL

Before starting the installation, disconnect the power by turning off the circuit breaker or by removing the appropriate fuse at the fuse box. Turning the power off using the light switch is not sufficient to prevent electrical shock.

All electrical connections must be in accordance with local and National Electrical Code (NEC) standards. If you are unfamiliar with proper electrical wiring connections, obtain the services of a qualified electrician.

Remove the fixture and the mounting packages from the box and make sure that no parts are missing by referencing the illustrations on the installation instructions.

Be sure to read these installation instructions and review the diagrams thoroughly before installation.

LIGHT BULBS REQUIRED

This fixture uses E12 bulb base, works with incandescent, LED, CFL, halogen or color changing bulbs up to 40W. Fully dimmable when used with dimmable bulbs and a compatible dimmer switch (not included).

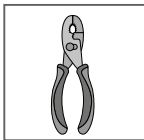
BULBS ARE NOT INCLUDED IN THIS ITEM. Please purchase the right bulbs you need.

1. Installation Preparation

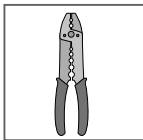
Tools You Need



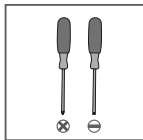
Ladder



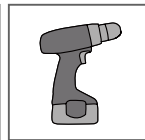
Pliers



Wire Strippers



Screwdrivers

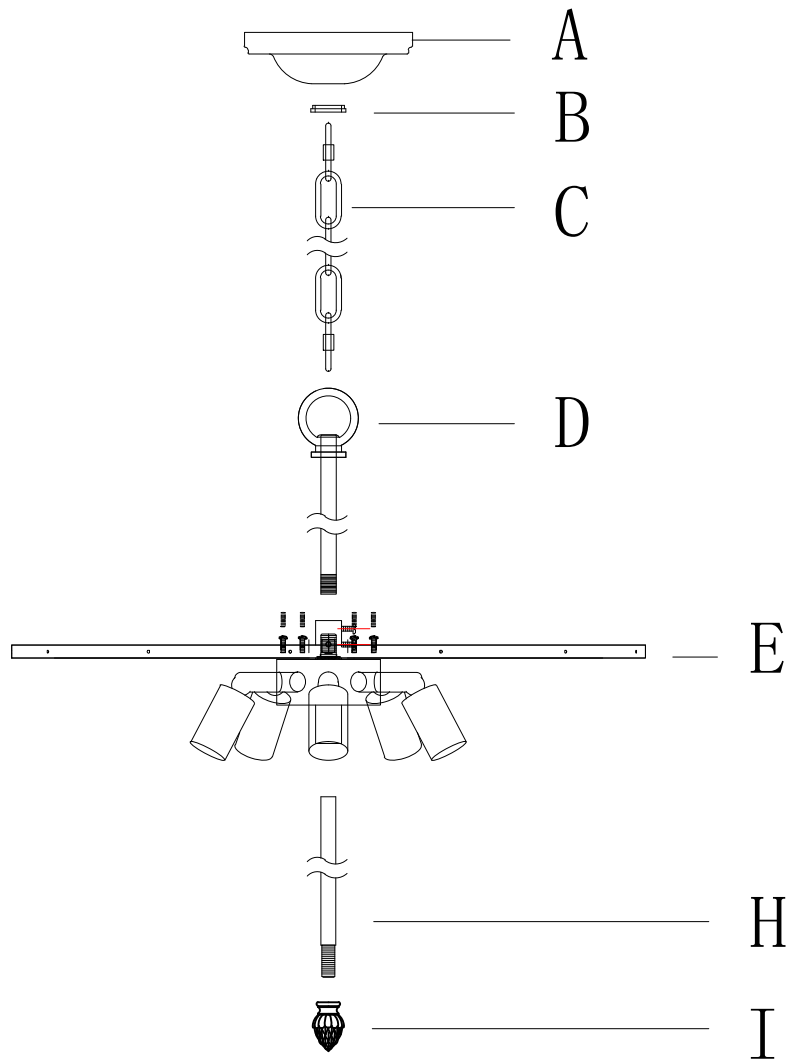


Power Drill (optional)



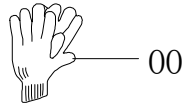
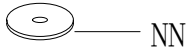
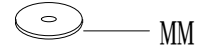
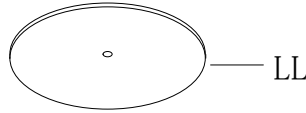
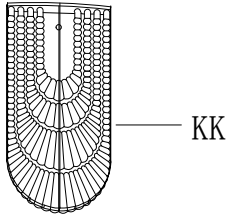
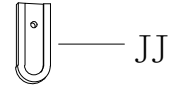
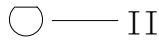
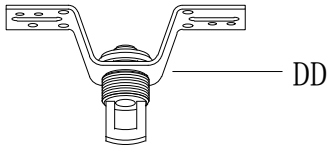
Drill Bit (optional)

If mounting to a support structure, you will also need the optional tools.



Main list

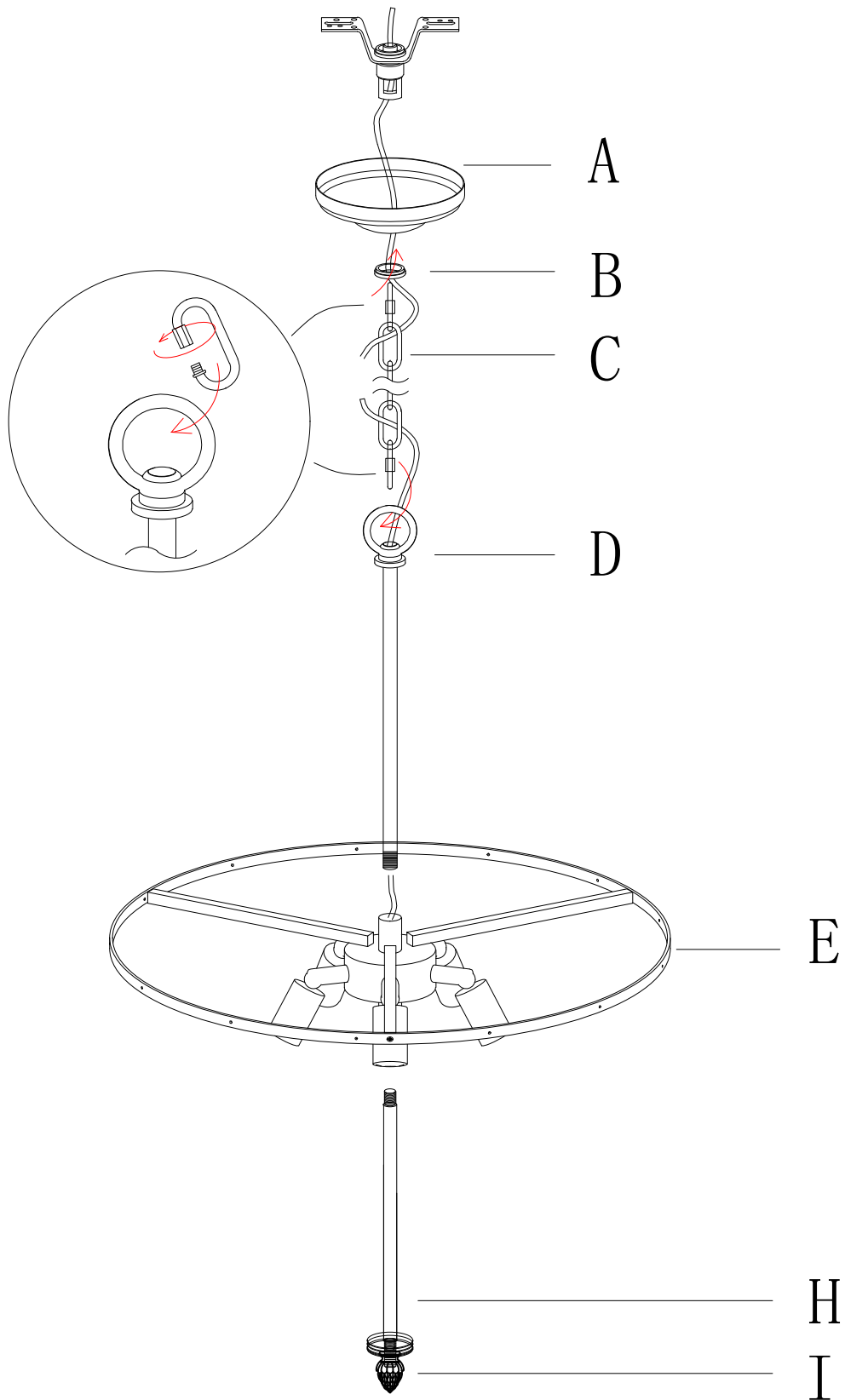
Main list			Main list		
	Name	quantities		Name	quantities
A	Canopy	1	F		
B	Rings	1	G		
C	Pendant Chain	1	H	connecting rod	1
D	Pendant rods	1	I	decorative cap	1
E	lamp body	1			



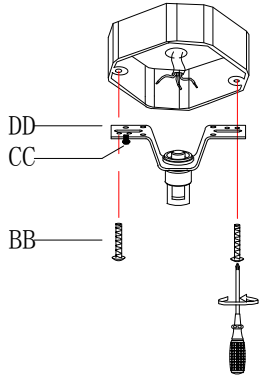
Accessory List

Part	Description	quantities	Part	Description	quantities
AA	Wiring Cap	3	II	Round bead bald head female	13
BB	Green Head Screws	2	JJ	Rounded decorative parts	13
CC	Bow U. S. G. Hanging Plate	1	KK	Glass blades	13
DD	Screw M4*25	1	LL	Tempered Glass	1
EE			MM	Round piece	2
FF	Phillips round head screws M3*10	3	NN	Plsstic pads	2
GG	Silicone Gasket	13	OO	Gloves	2
HH	Phillips round head screws	13			

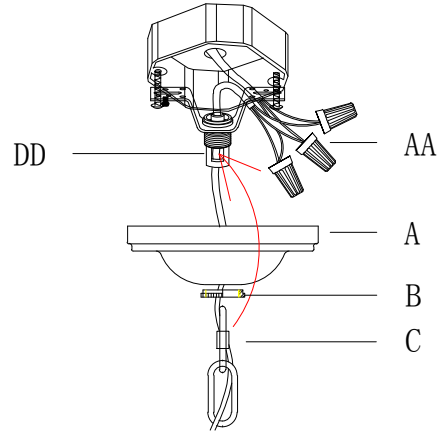
1. BB/CC has been preloaded inside A;
2. EE/FF has been preloaded on top of F;
3. MM/NN is preloaded on top of H.



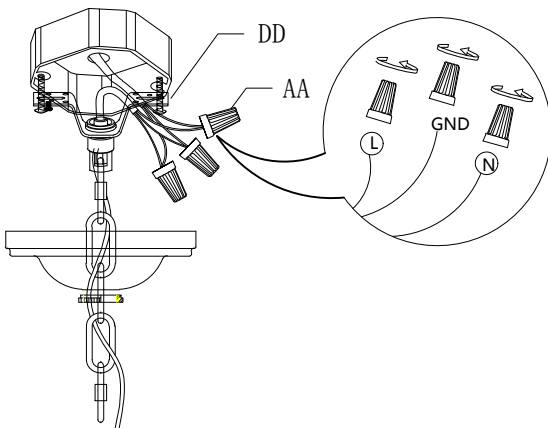
1. Pass the power cord through in this order D-C-B-A;
2. Rotate D onto E;
3. Rotate the snap on both ends of C and snap one end to;
4. Screw H onto lamp body E.



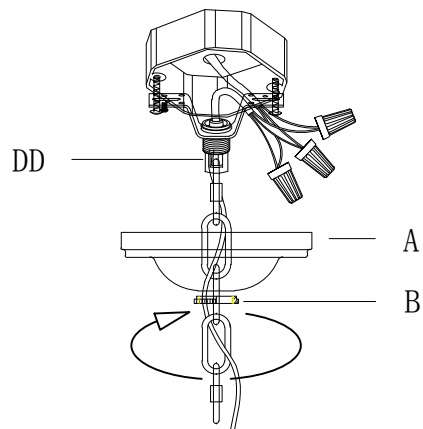
1. Mounting plate.



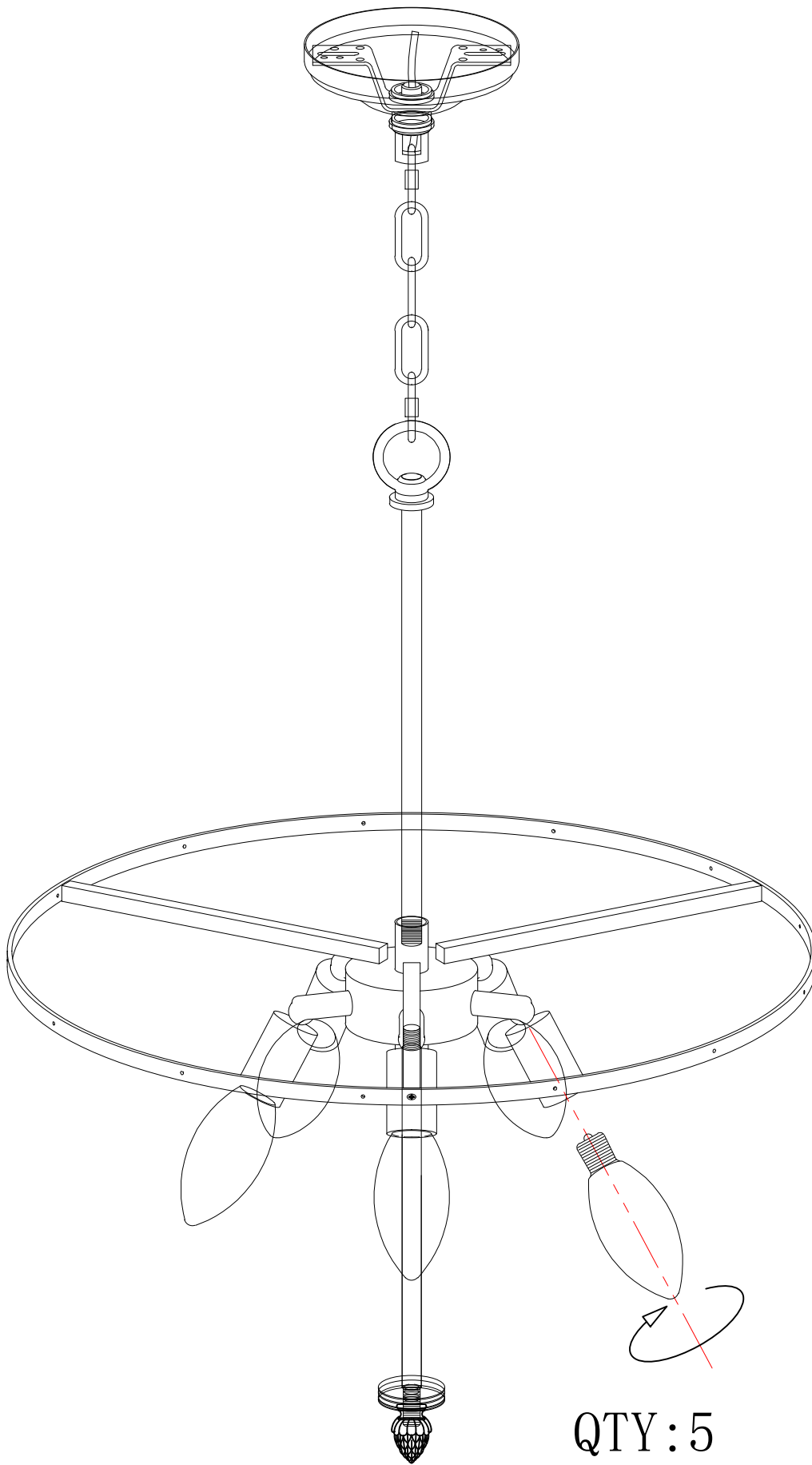
2. Put the loose buckle on one end of C through B and A to the hanging ring of the hanging plate.



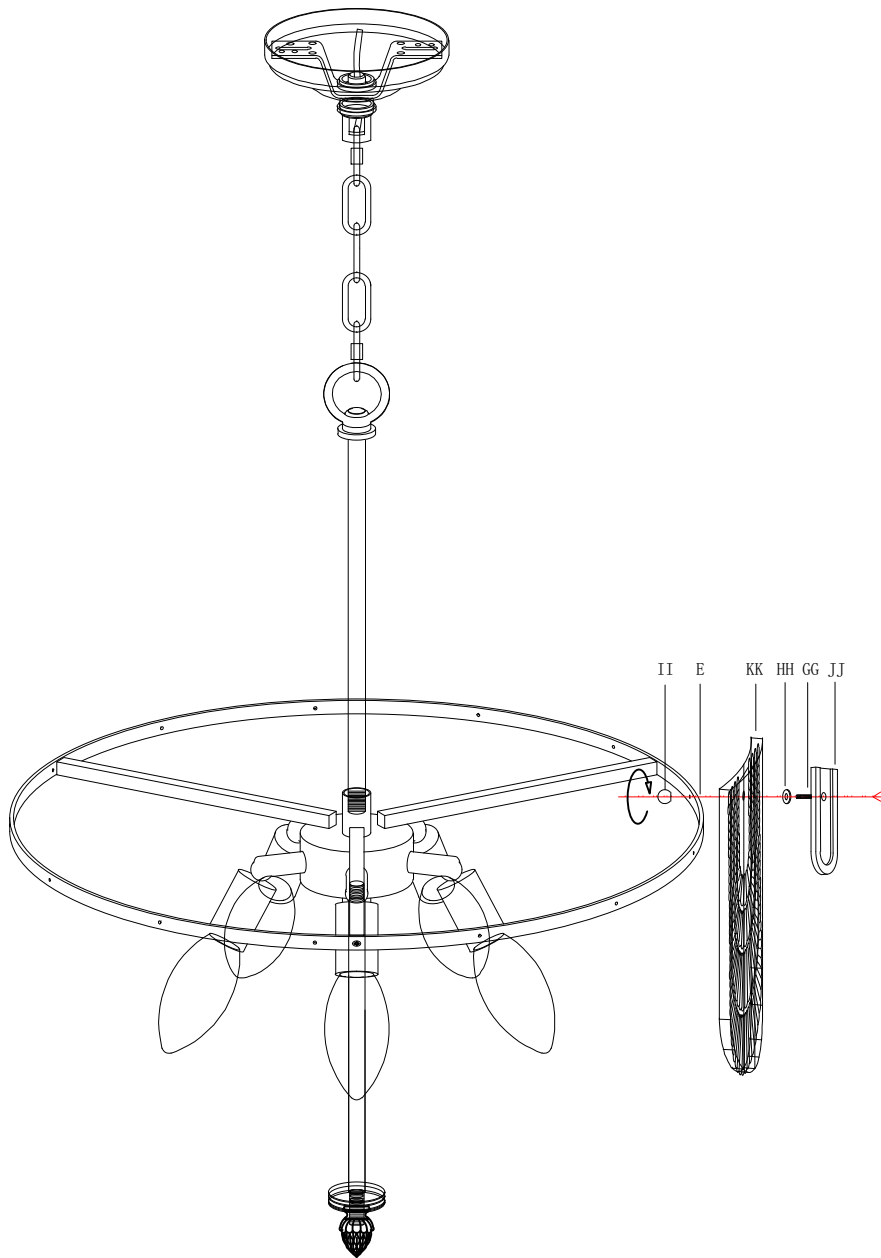
3. Connect the power cable from A through the middle hole of the hanging plate DD to the power cable and ground cable of the ceiling junction box.



4. Use B to lock A to the plate.

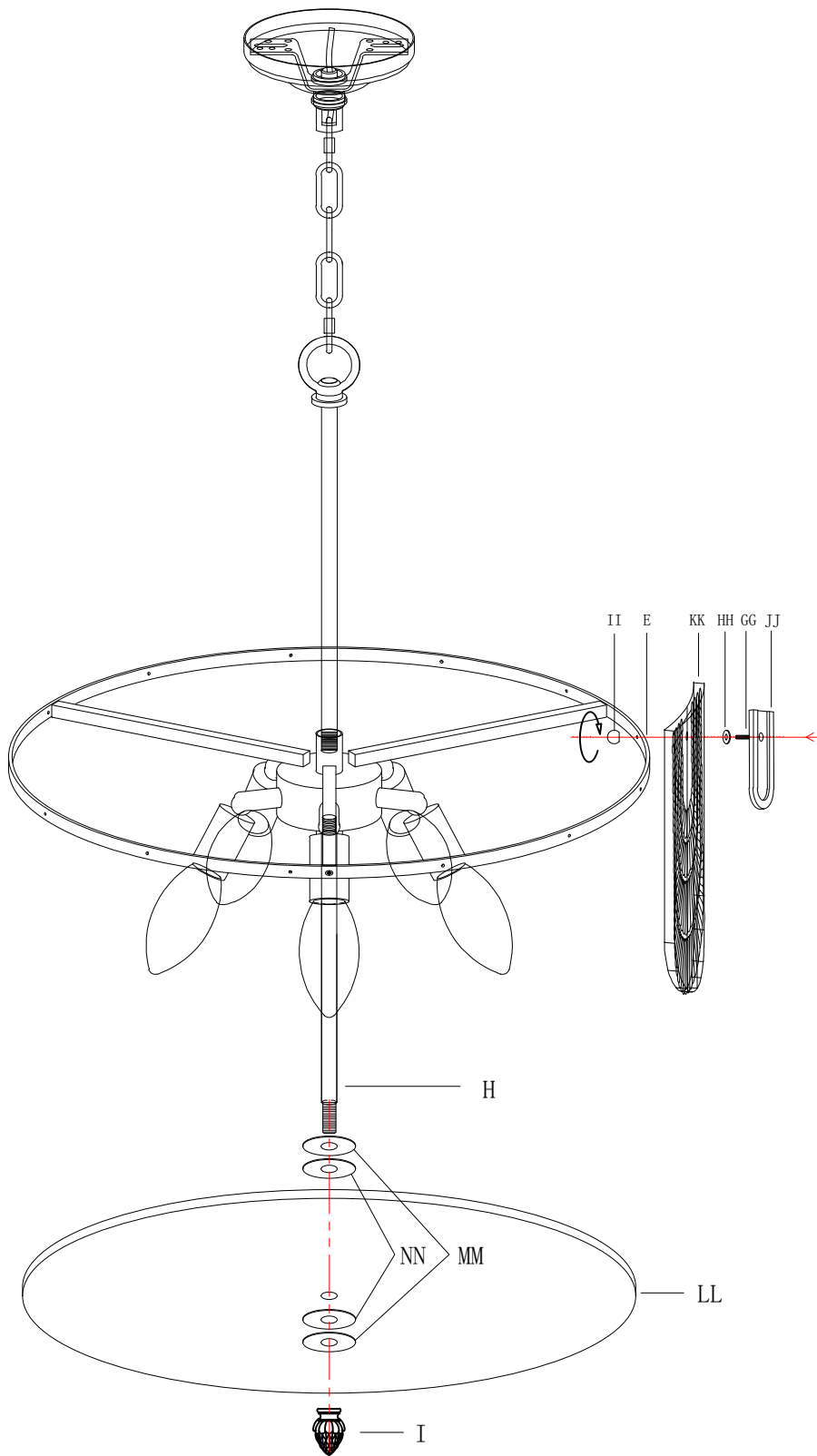


Install the e12 led bulb



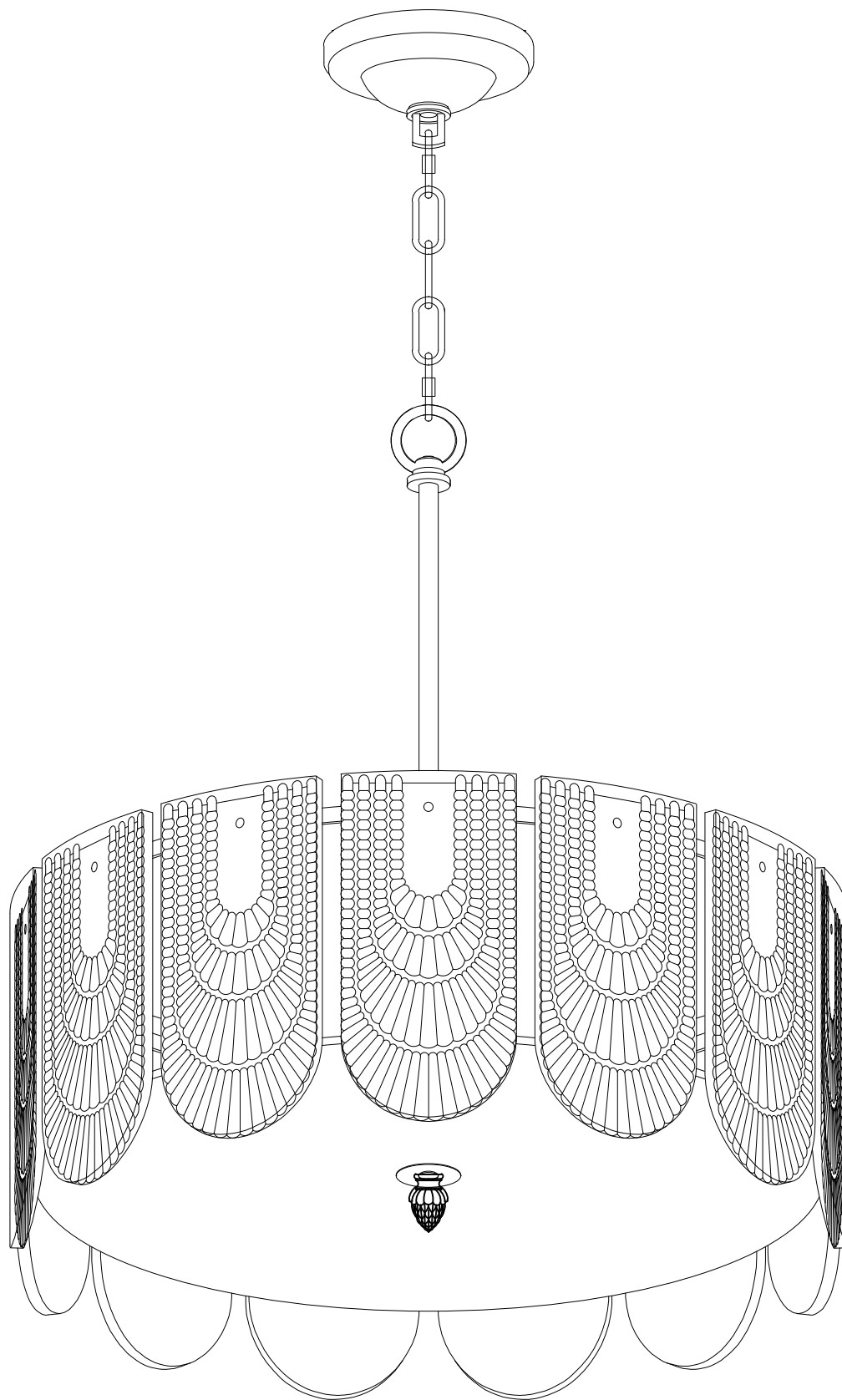
Installation of side glass piece(KK)

1. Twist in JJ with GG;
2. Put on HH;
3. Pass through the glass piece KK and the flat iron ring of the lamp body E and G;
4. Lock with II;
5. We recommend that you install the top glass piece first before installing the bottom glass piece.



Install the bottom glass piece

1. Twist off I and NN with MM;
2. Thread MM-NN-LL-NN-MM onto H in order as shown;
3. Lock with I.



Installation complete.