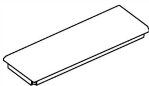





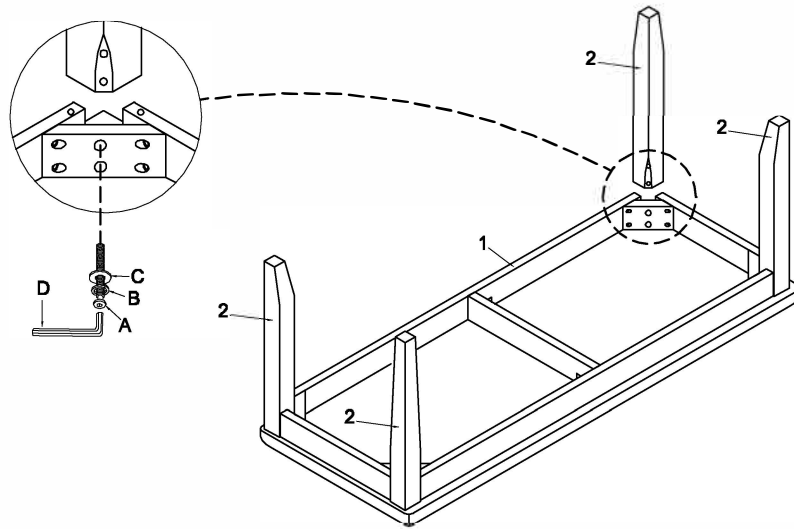


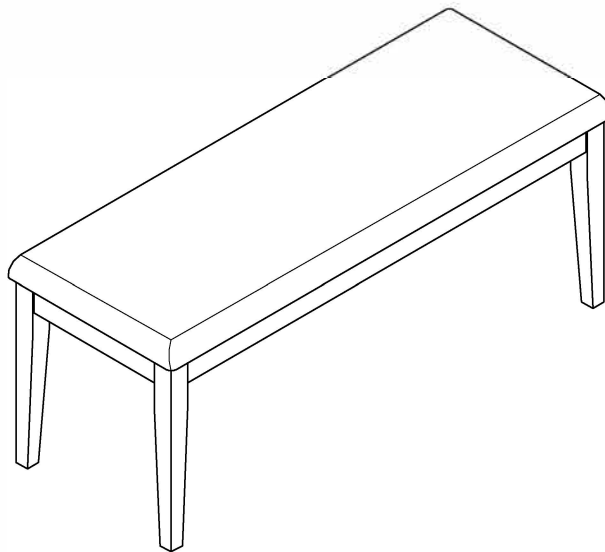
ASSEMBLY INSTRUCTION

PART LIST				HARDWARE LIST			
1	Bench Frame With Cushion		1pc	A		Bolt $\phi 1/4" \times 2-3/8" L$	8pcs
2	Leg		4pcs	B		Lock Washer ($\phi 1/4"$)	8pcs
				C		Flat Washer ($\phi 1/4"$)	8pcs
				D		Allen Key (4mm)	1pc

Step 1



Completed



For items use on wooden floor, hard surfaces or carpets, it is recommended to Install protective pads under all legs and supports to avoid/prevent from damages/scratches and discoloration.