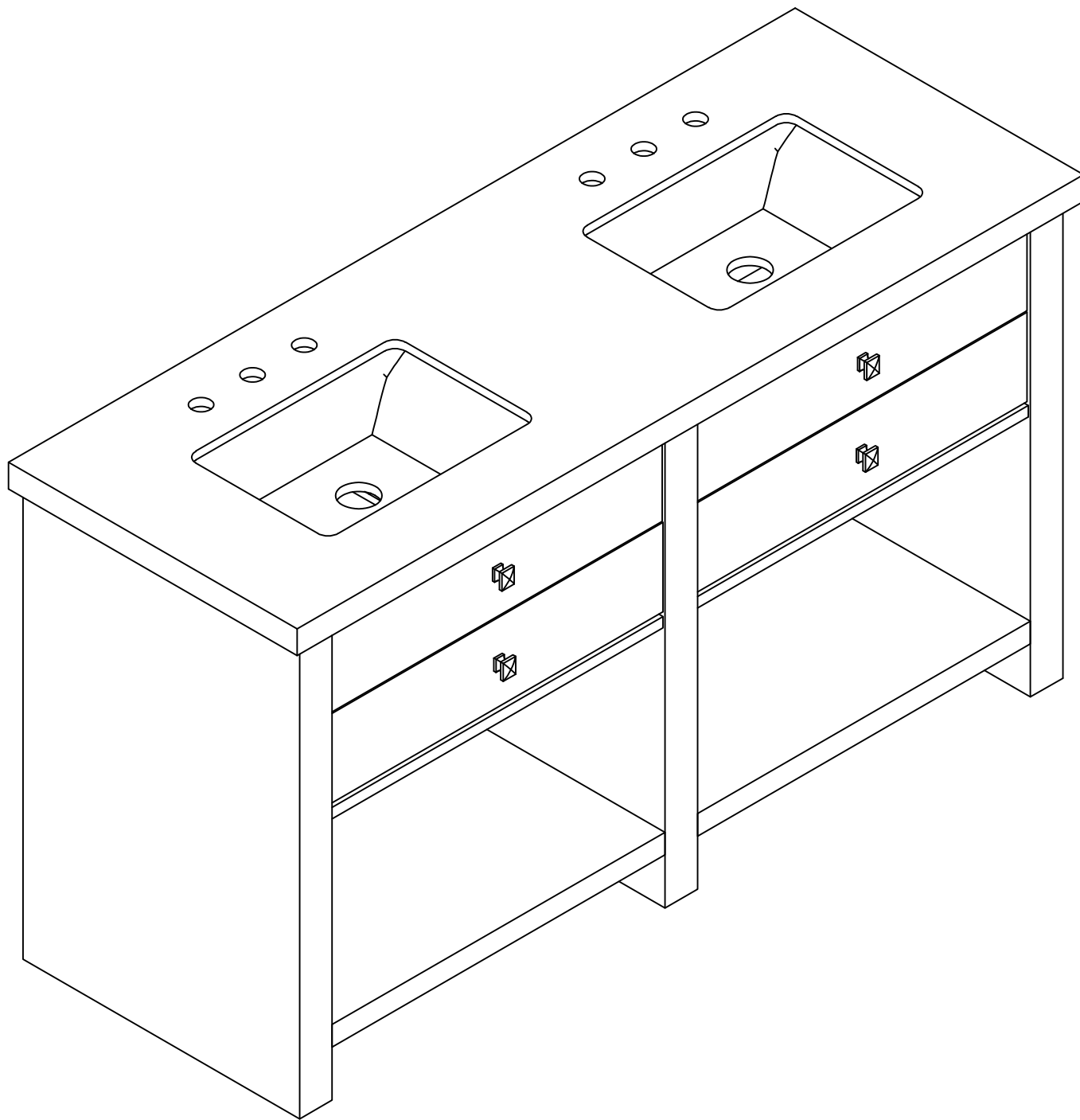
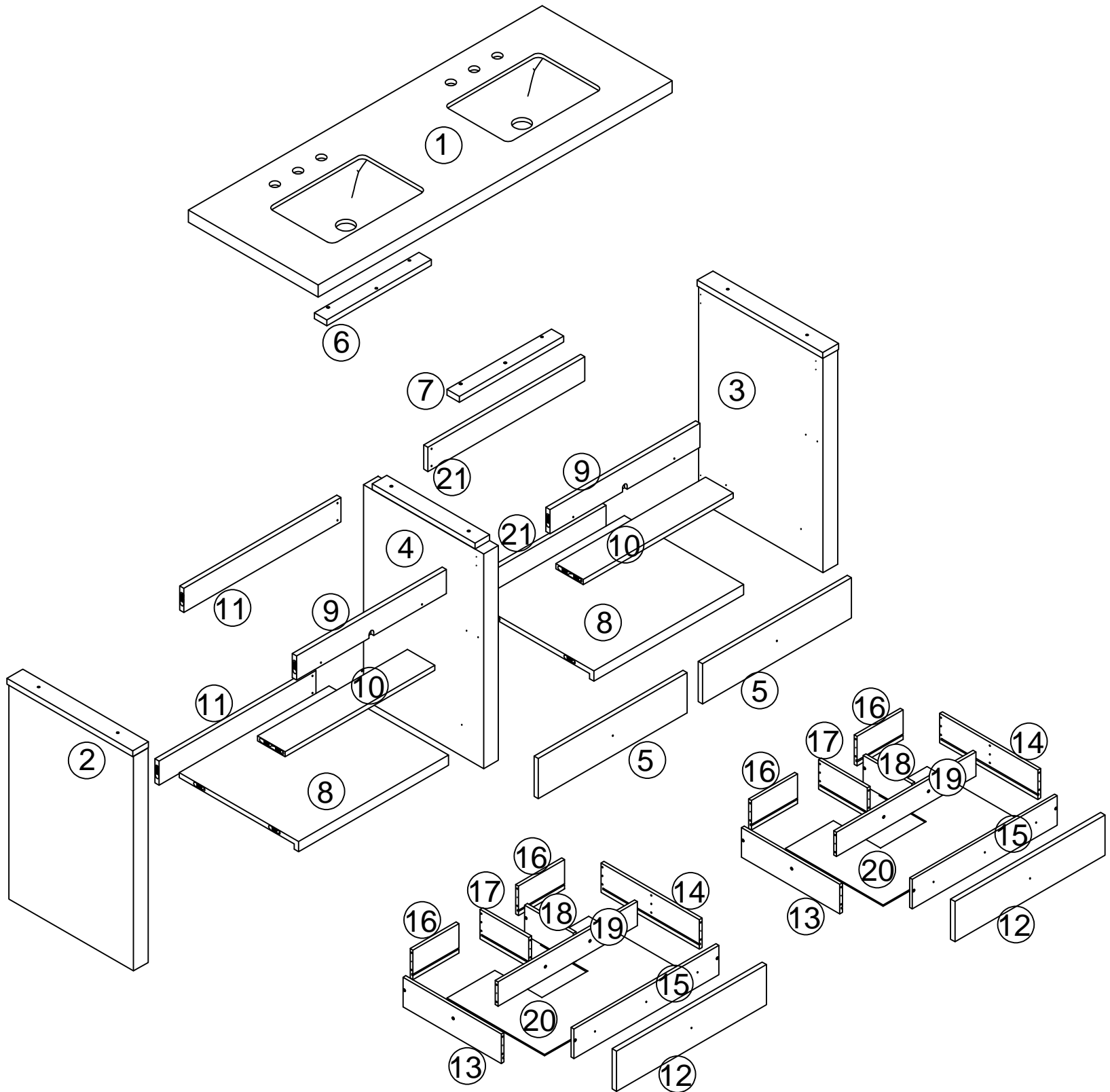
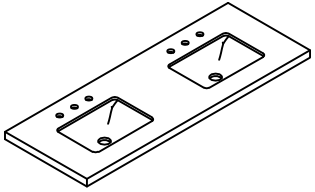
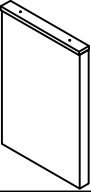
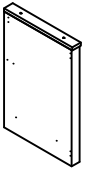


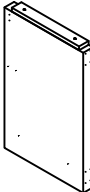
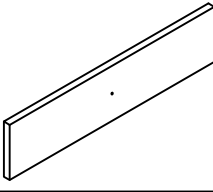
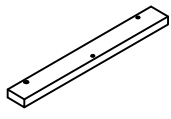
ASSEMBLY INSTRUCTION



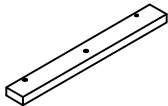
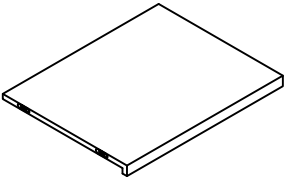
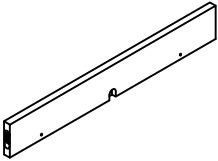
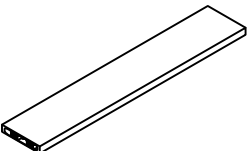
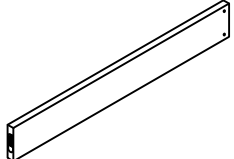
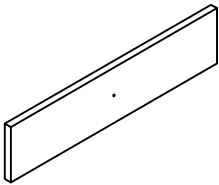
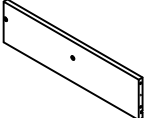
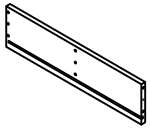
Parts list

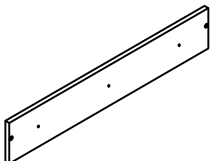
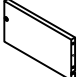
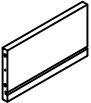
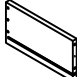
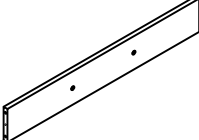

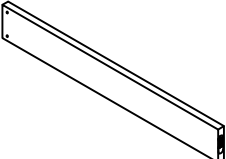


NO.	Description	QTY
①		1
②		1
③		1






NO.	Description	QTY
④		1
⑤		2
⑥		1




Parts list

NO.	Description	QTY
⑦		1
⑧		2
⑨		2
⑩		2
⑪		2
⑫		2
⑬		2
⑭		2

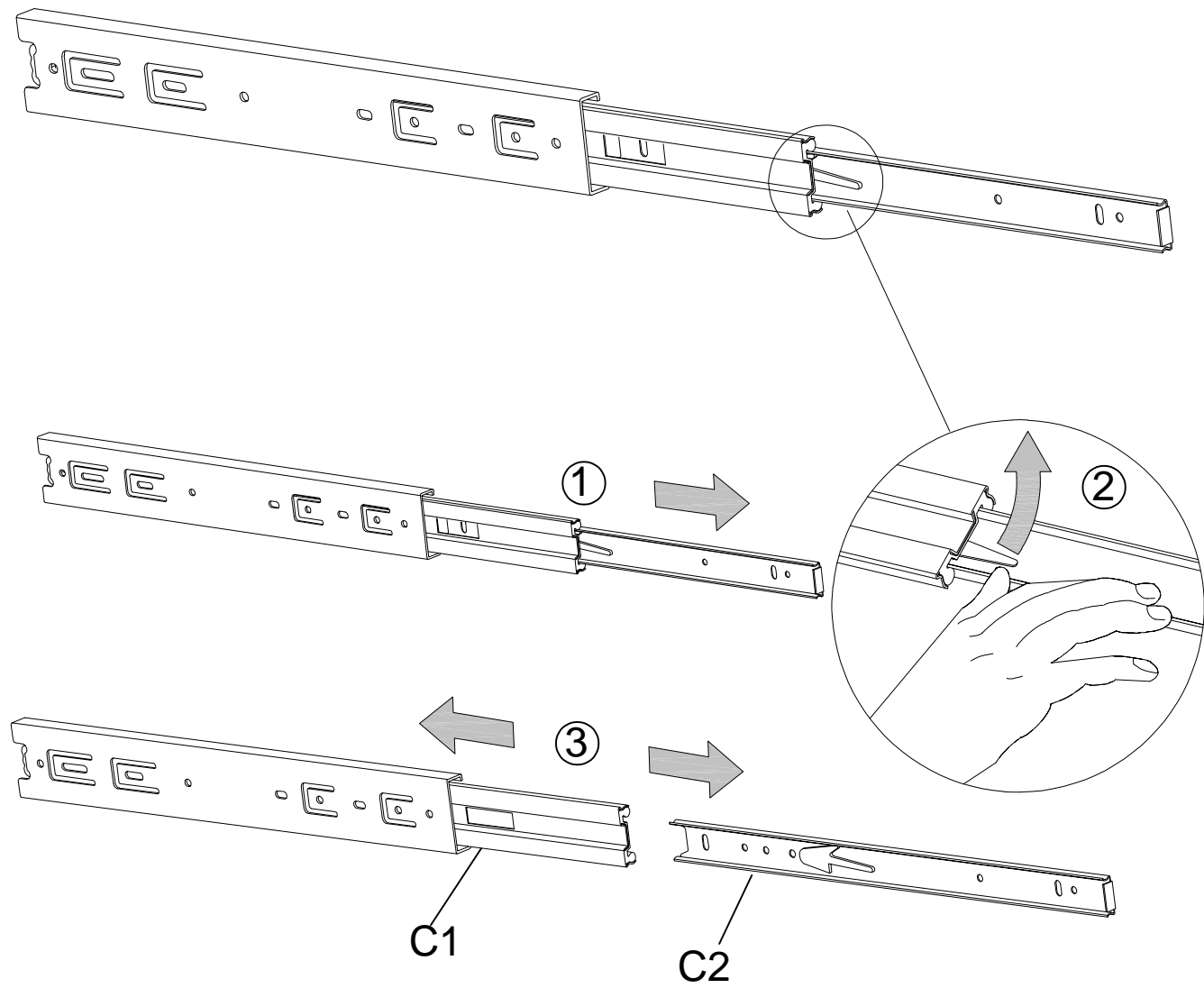
NO.	Description	QTY
⑮		2
⑯		4
⑰		4
⑱		2
⑲		2
⑳		2
㉑		2

Fixing List

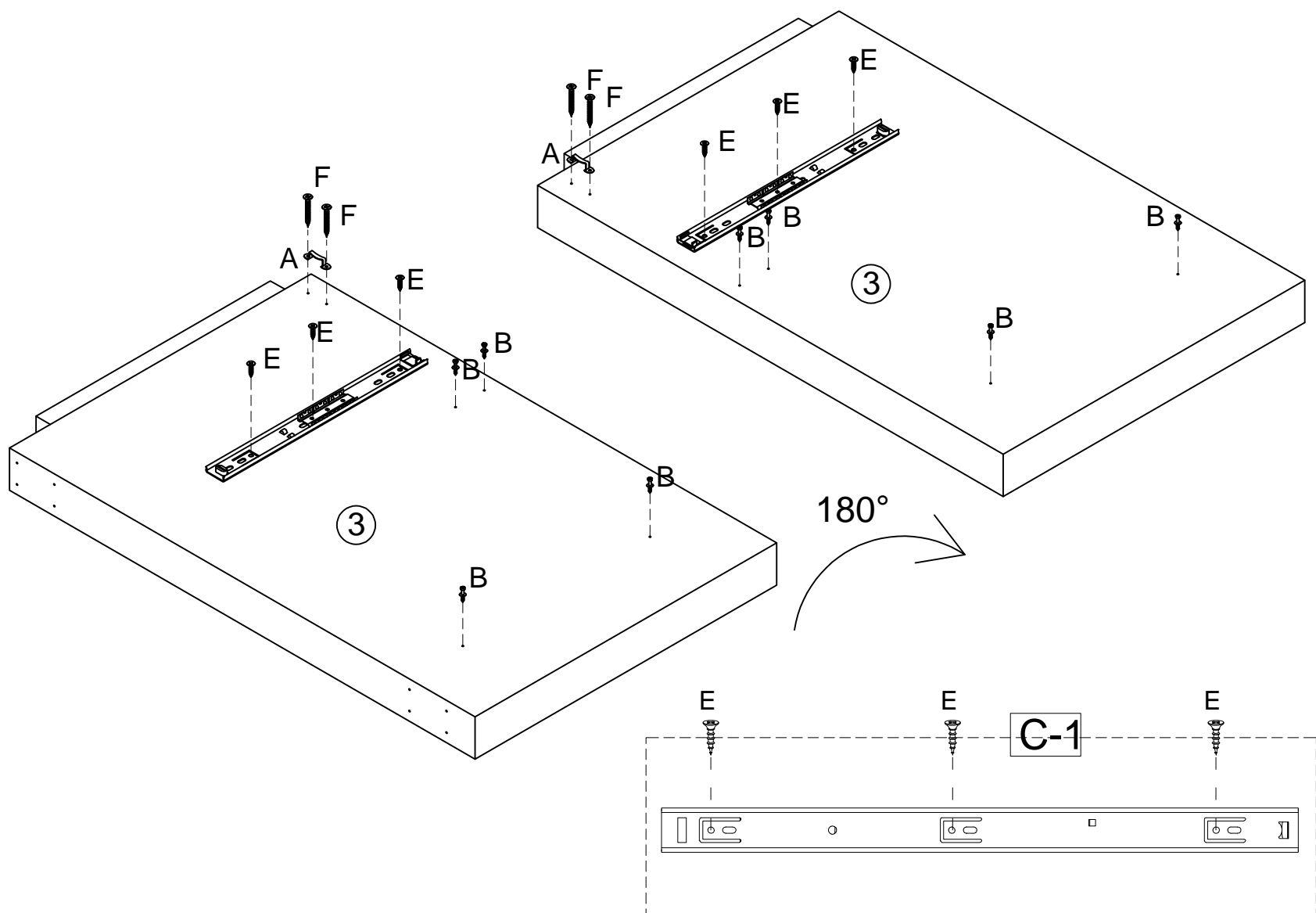
NO.	Description	Size(MM)	QTY
A			8
B			16
C			4
D			40
E		Ø3*12	24

NO.	Description	Size(MM)	QTY
F		Ø4*25	60
G			4
H			4
I			
J			

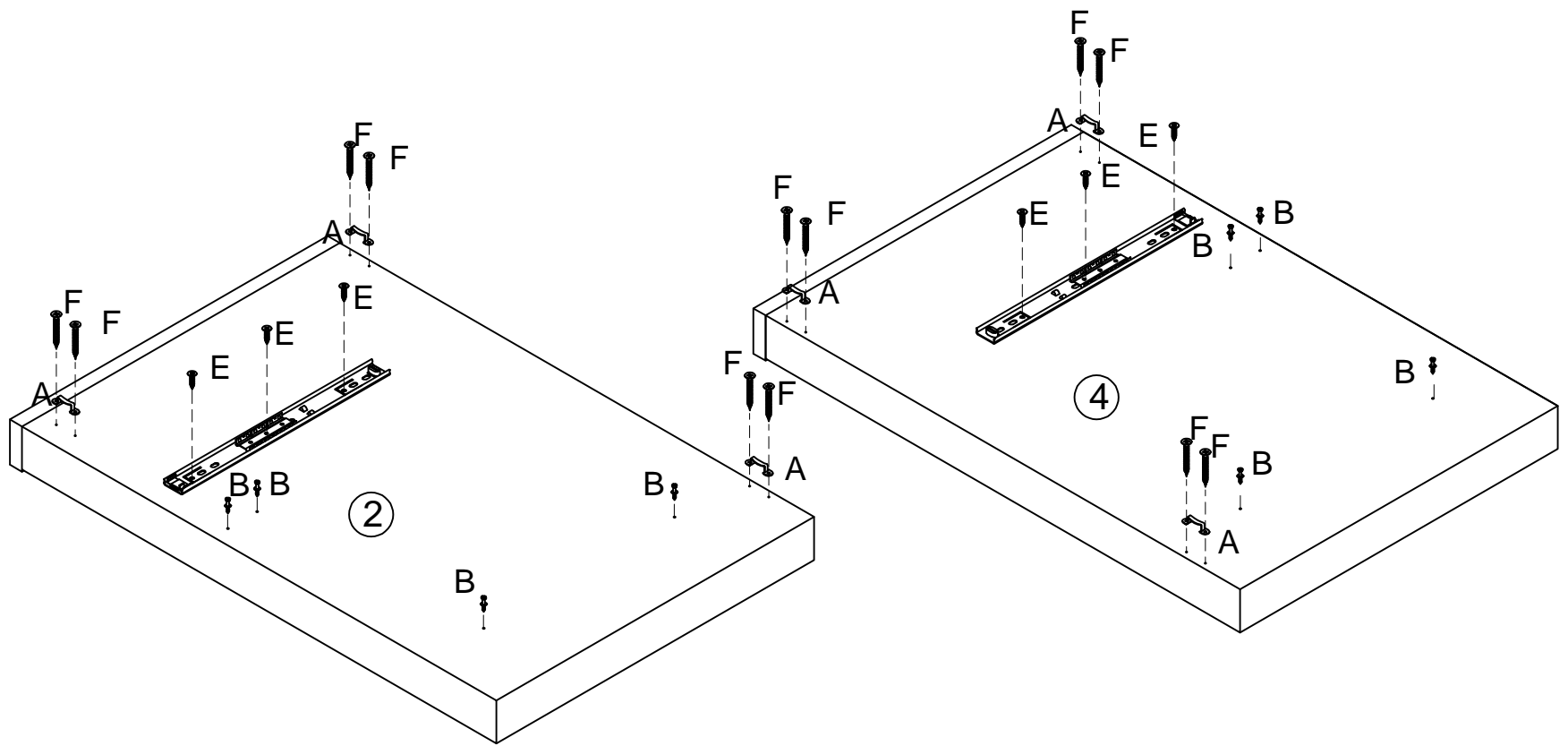
Step 1



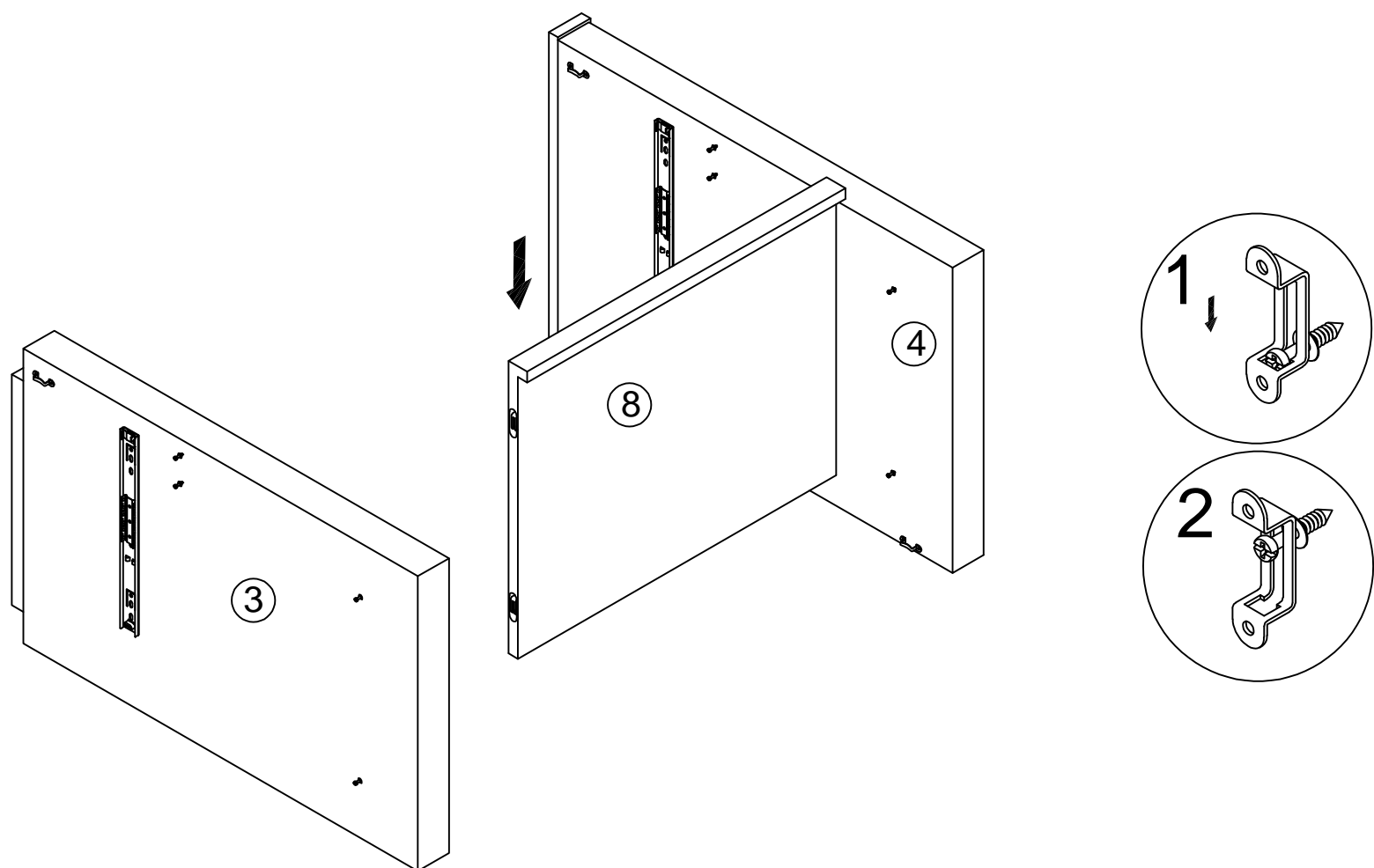
Step 2



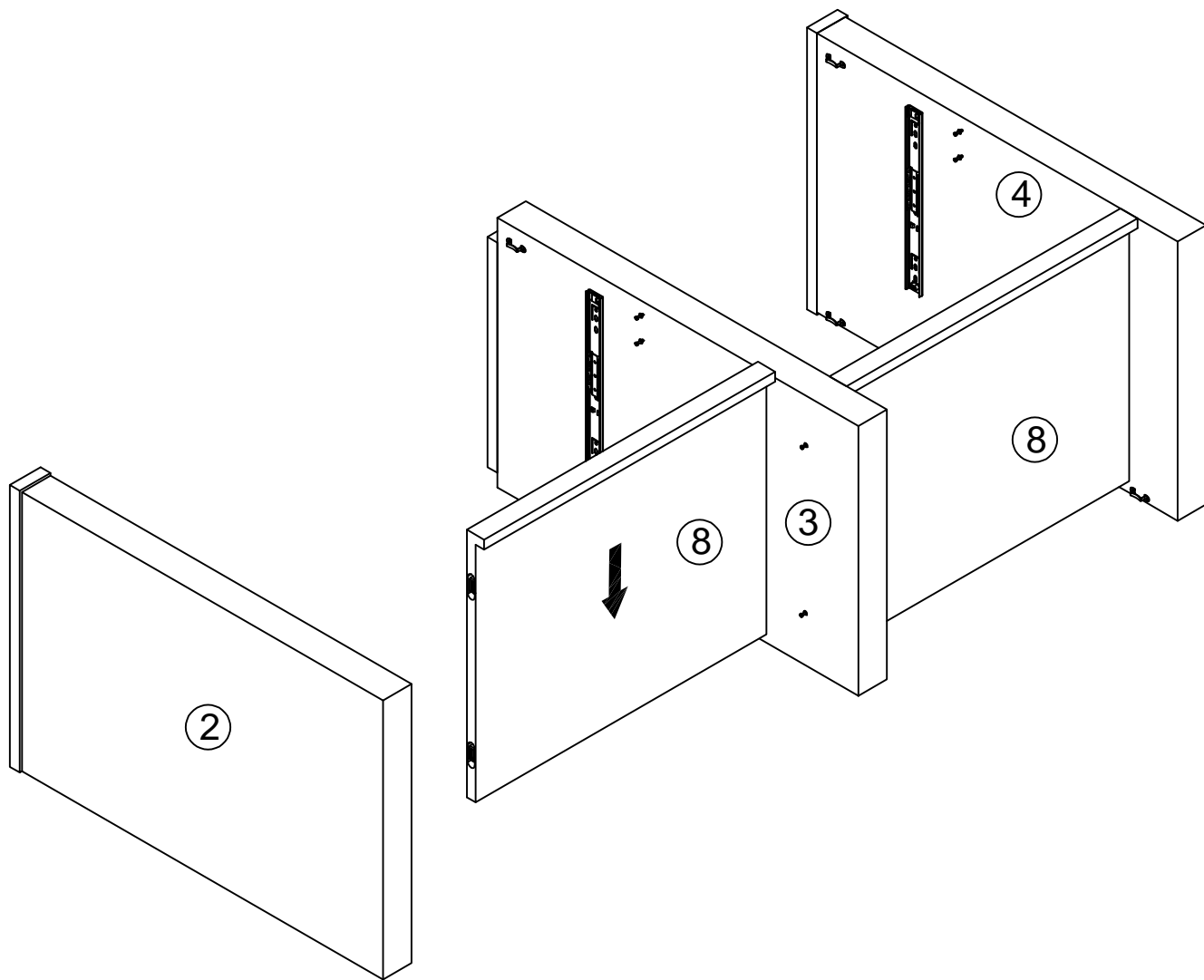
Step 3



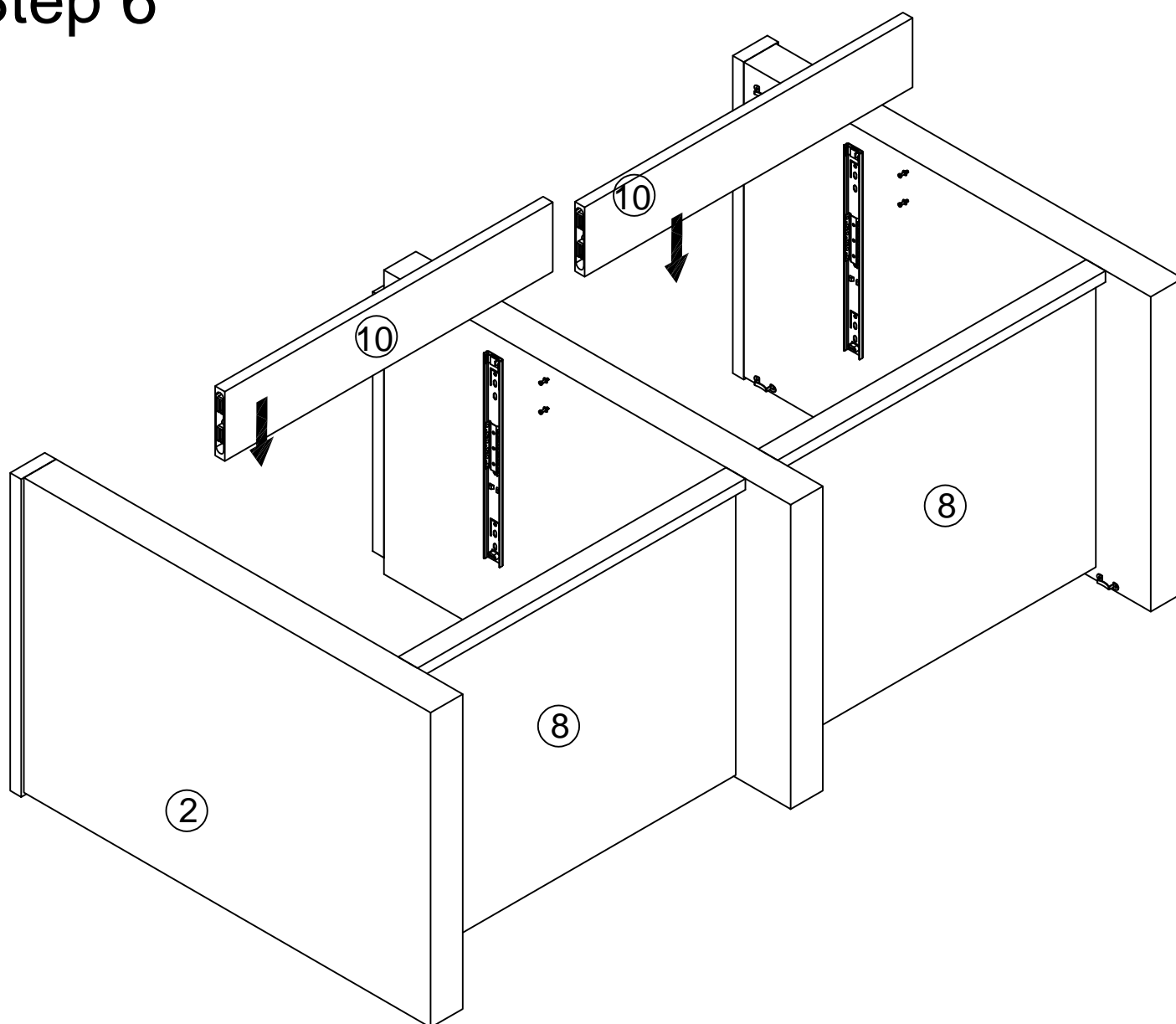
Step 4



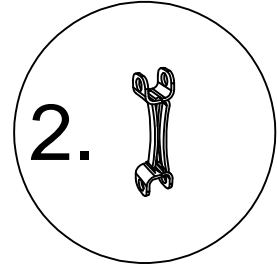
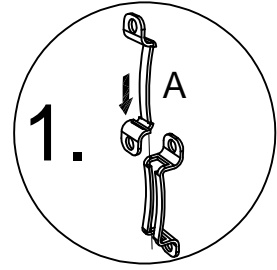
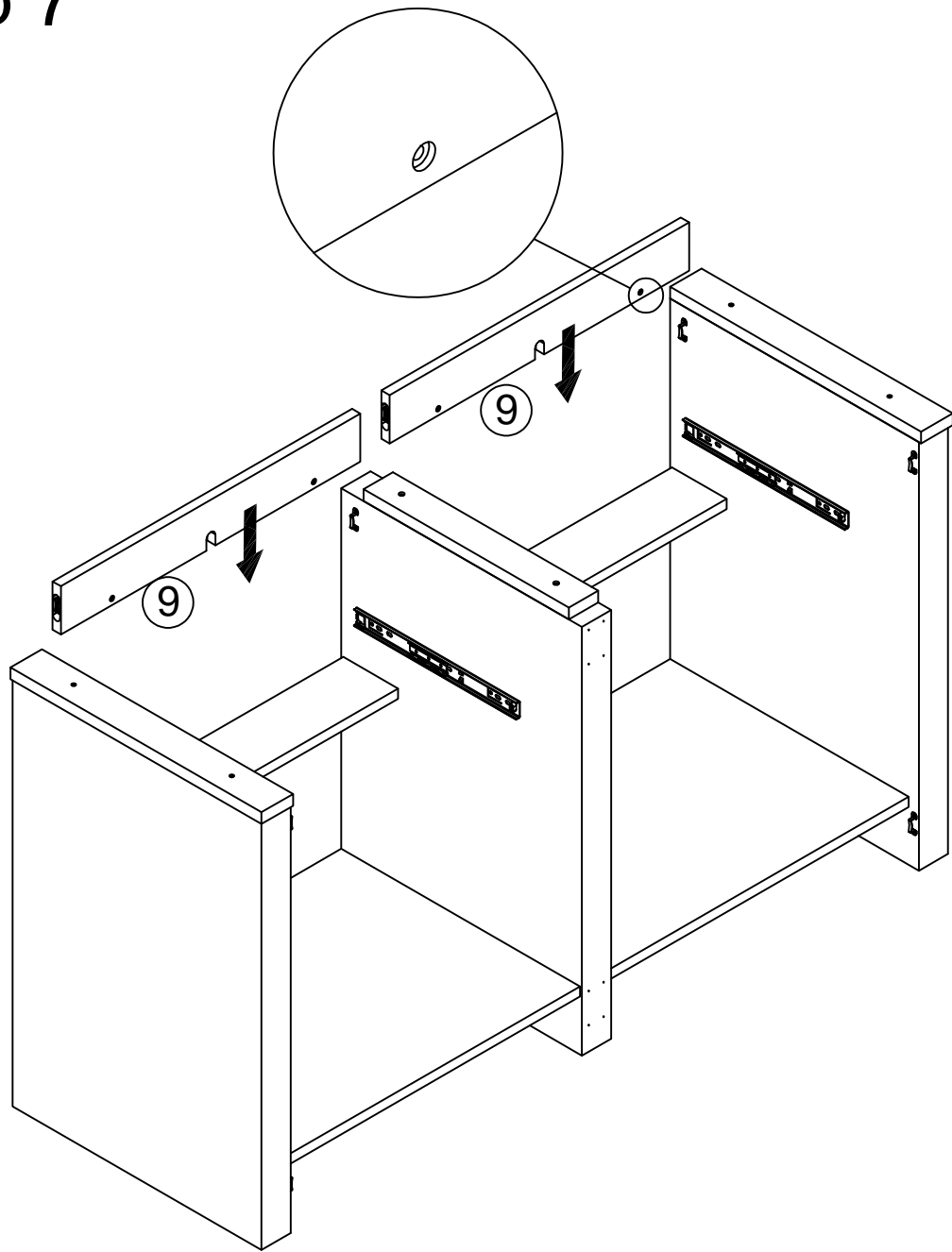
Step 5



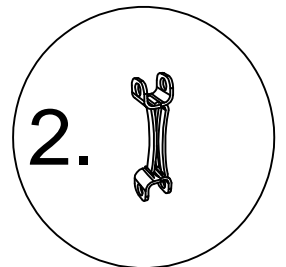
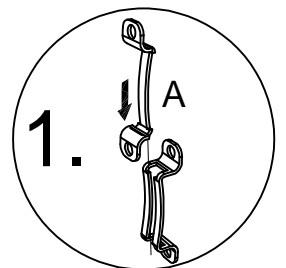
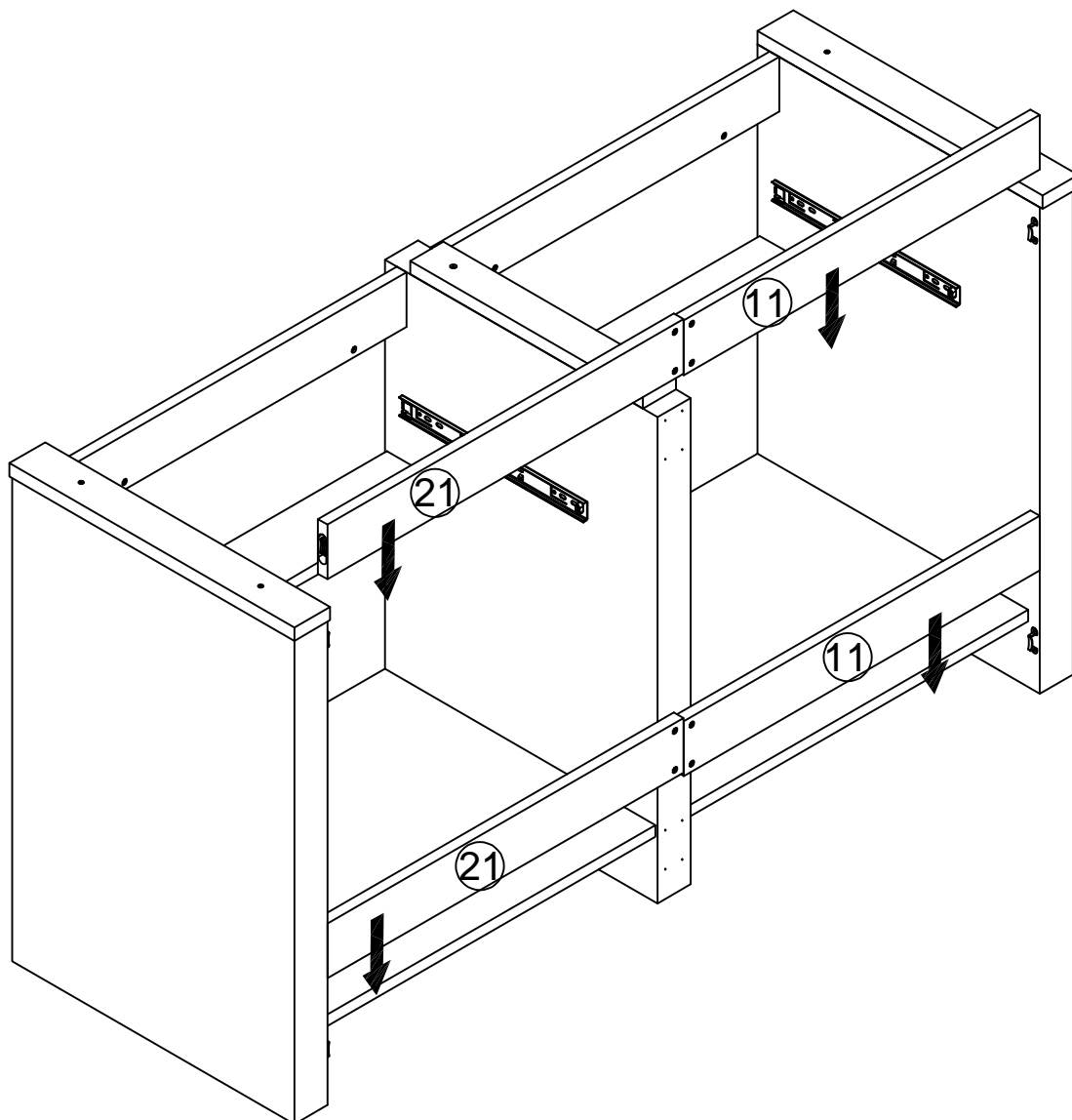
Step 6



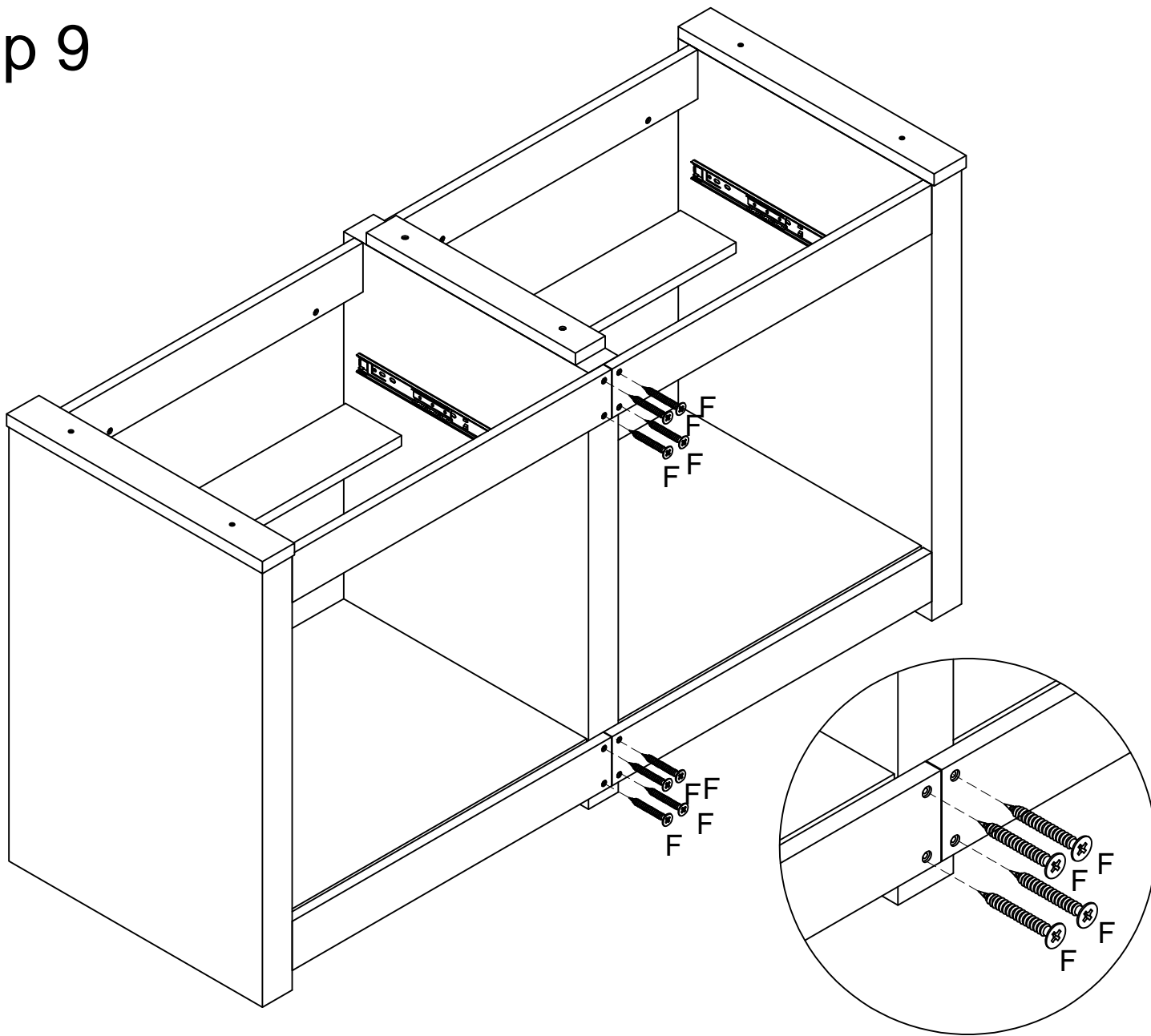
Step 7



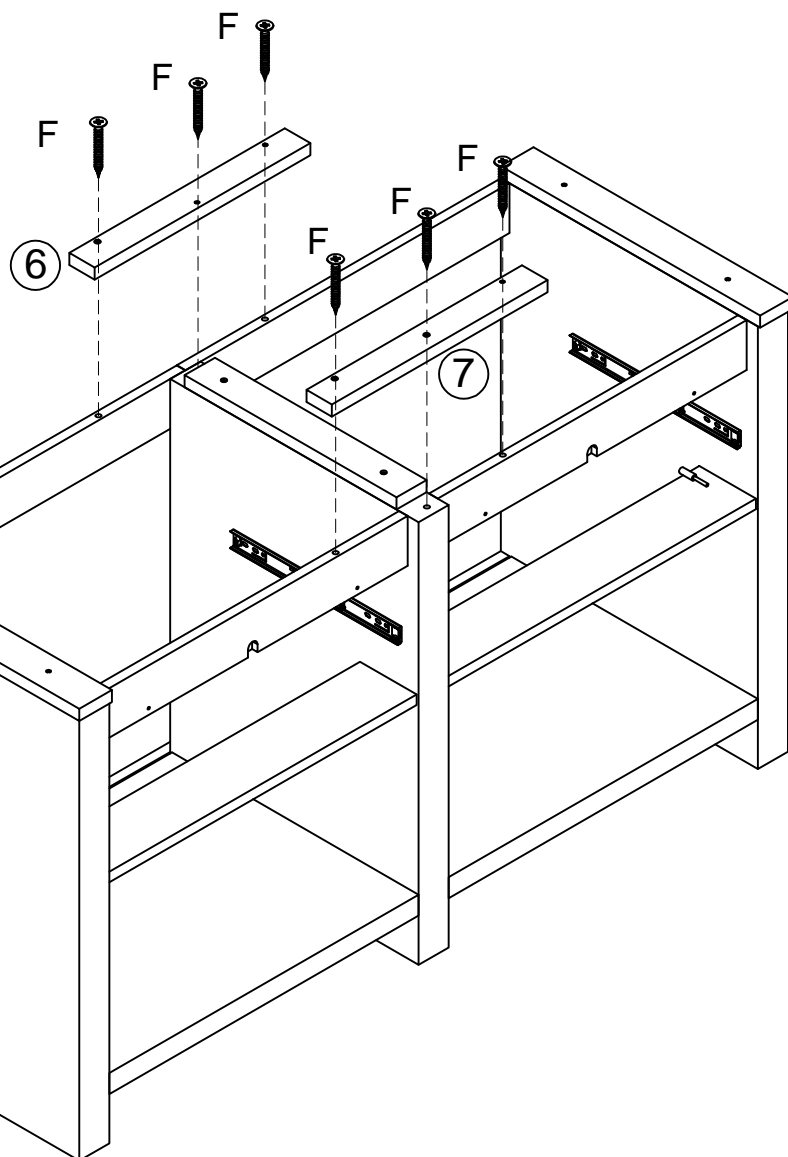
Step 8



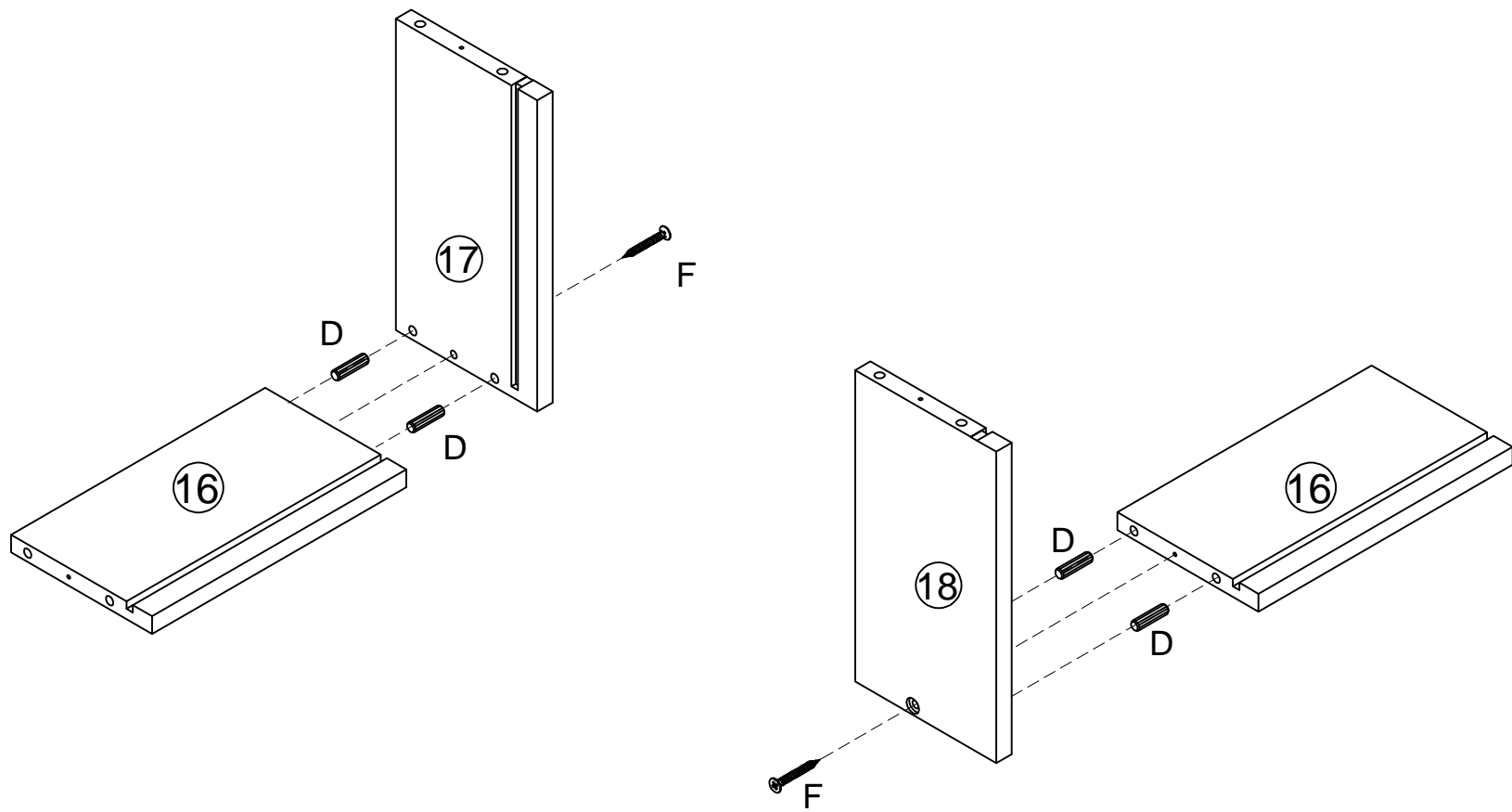
Step 9



Step 10

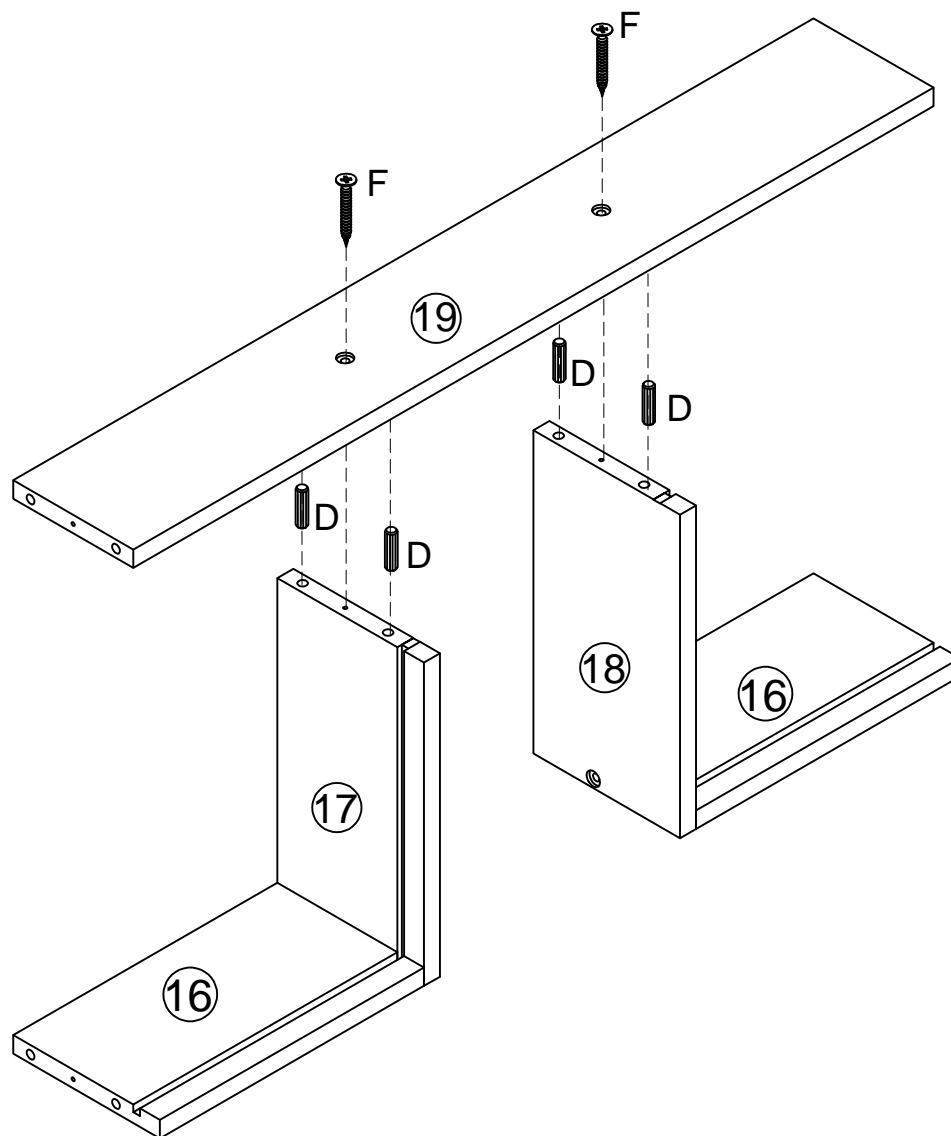


Step 11



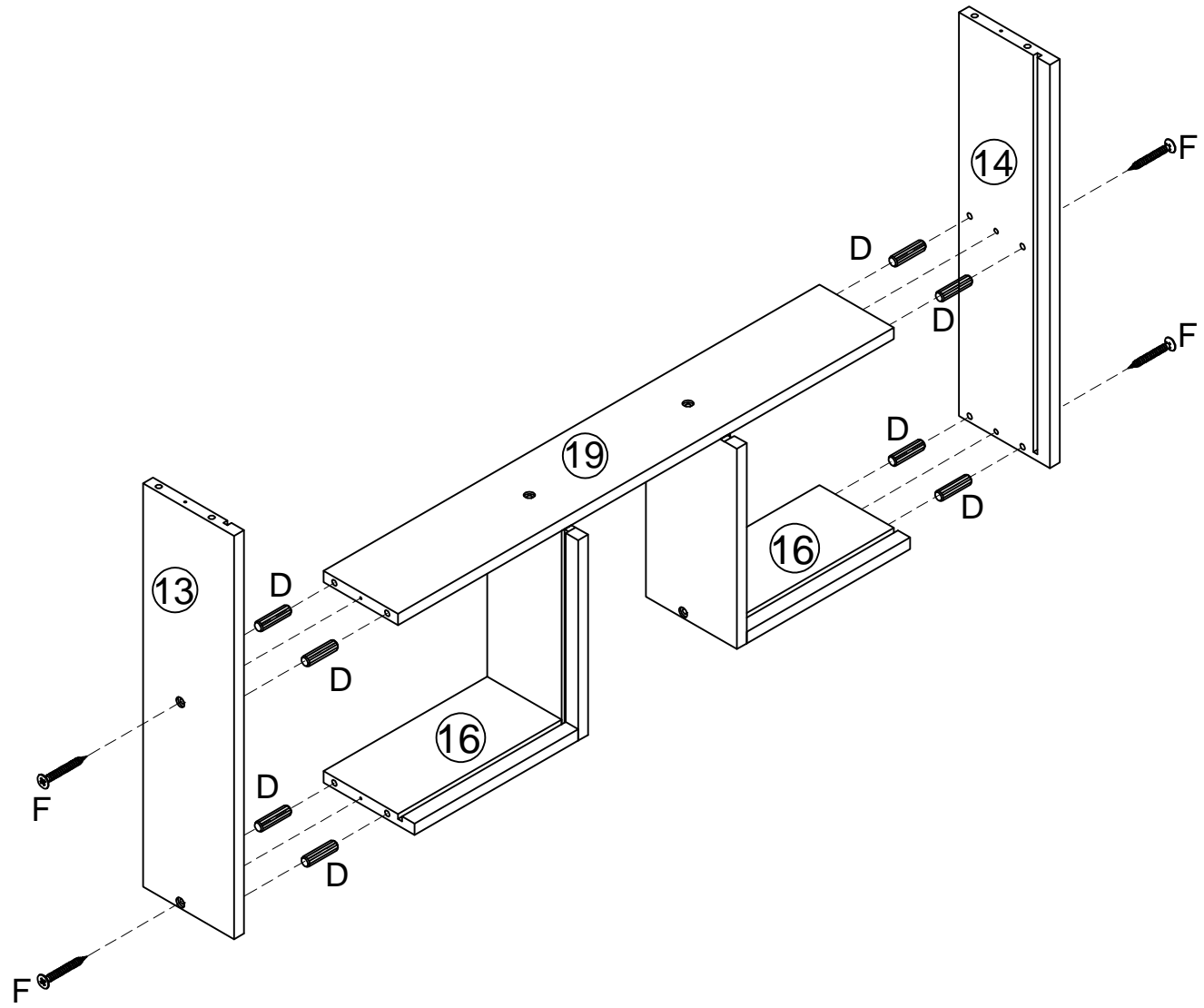
x2

Step 12



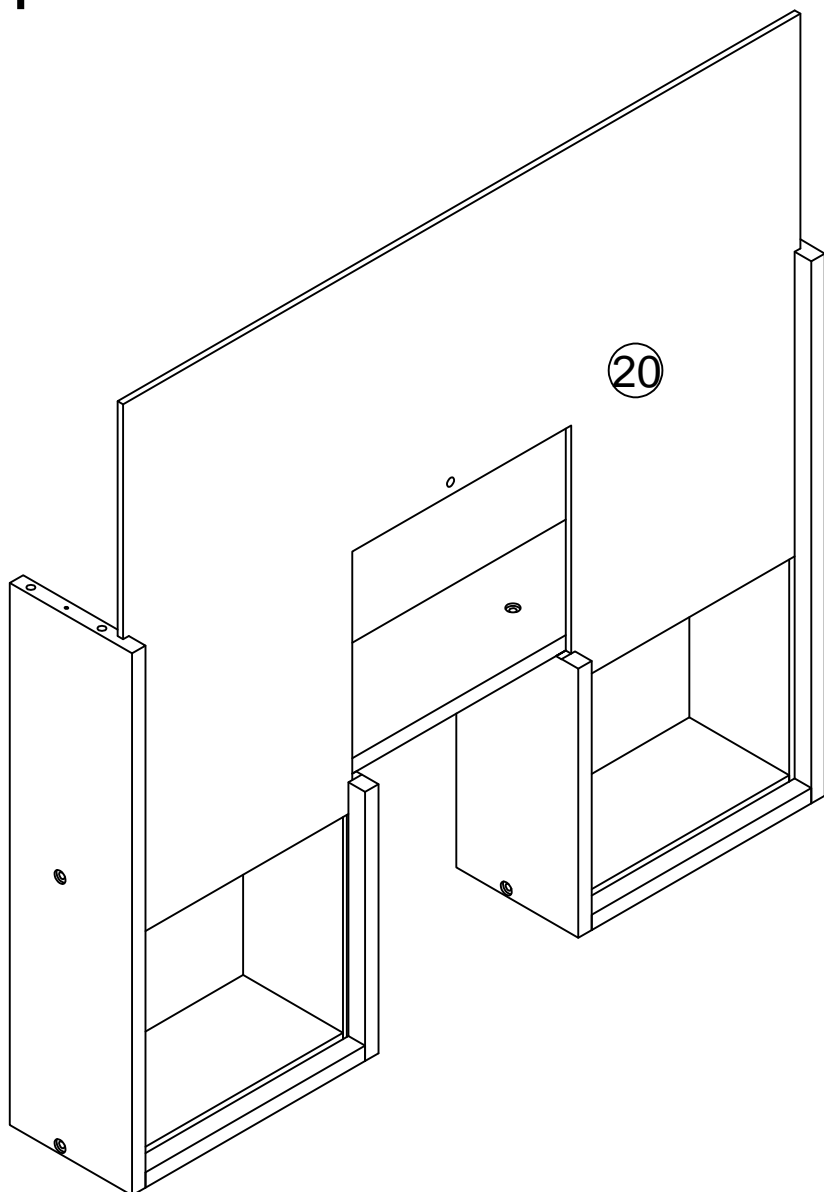
x2

Step 13



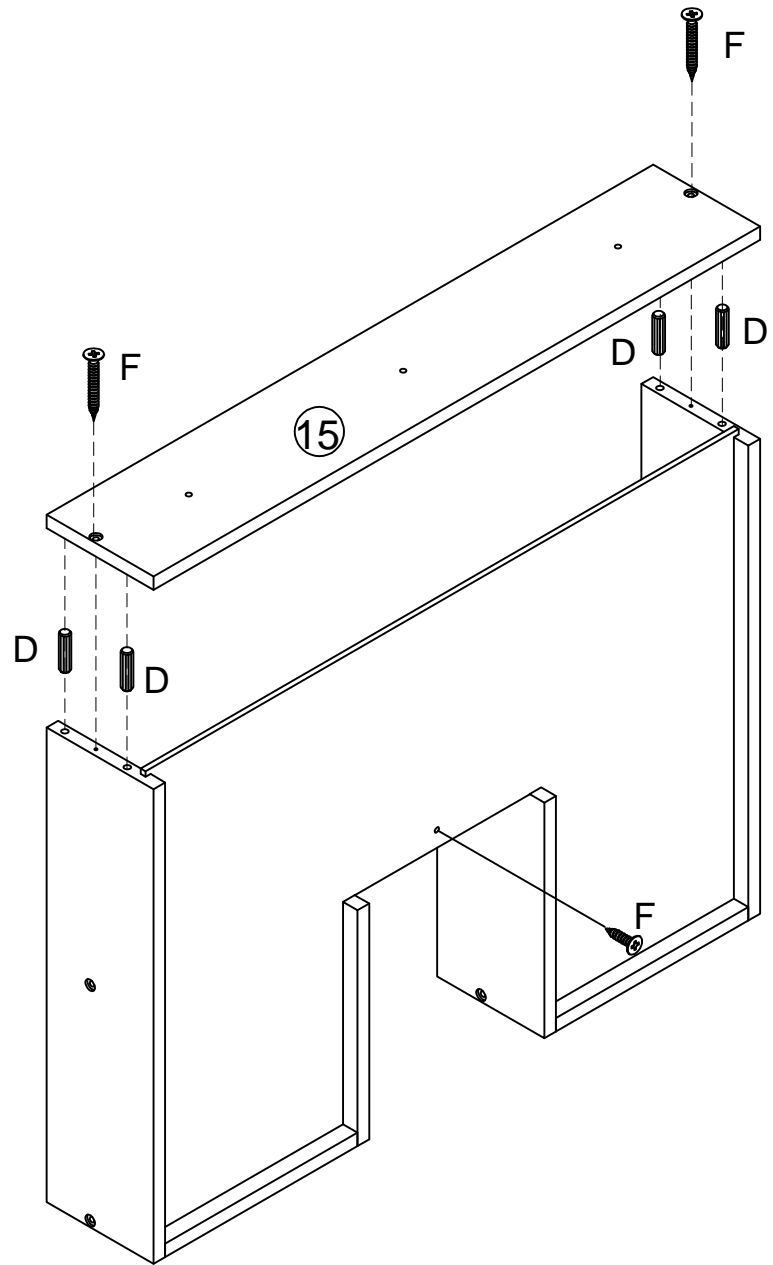
x2

Step 14



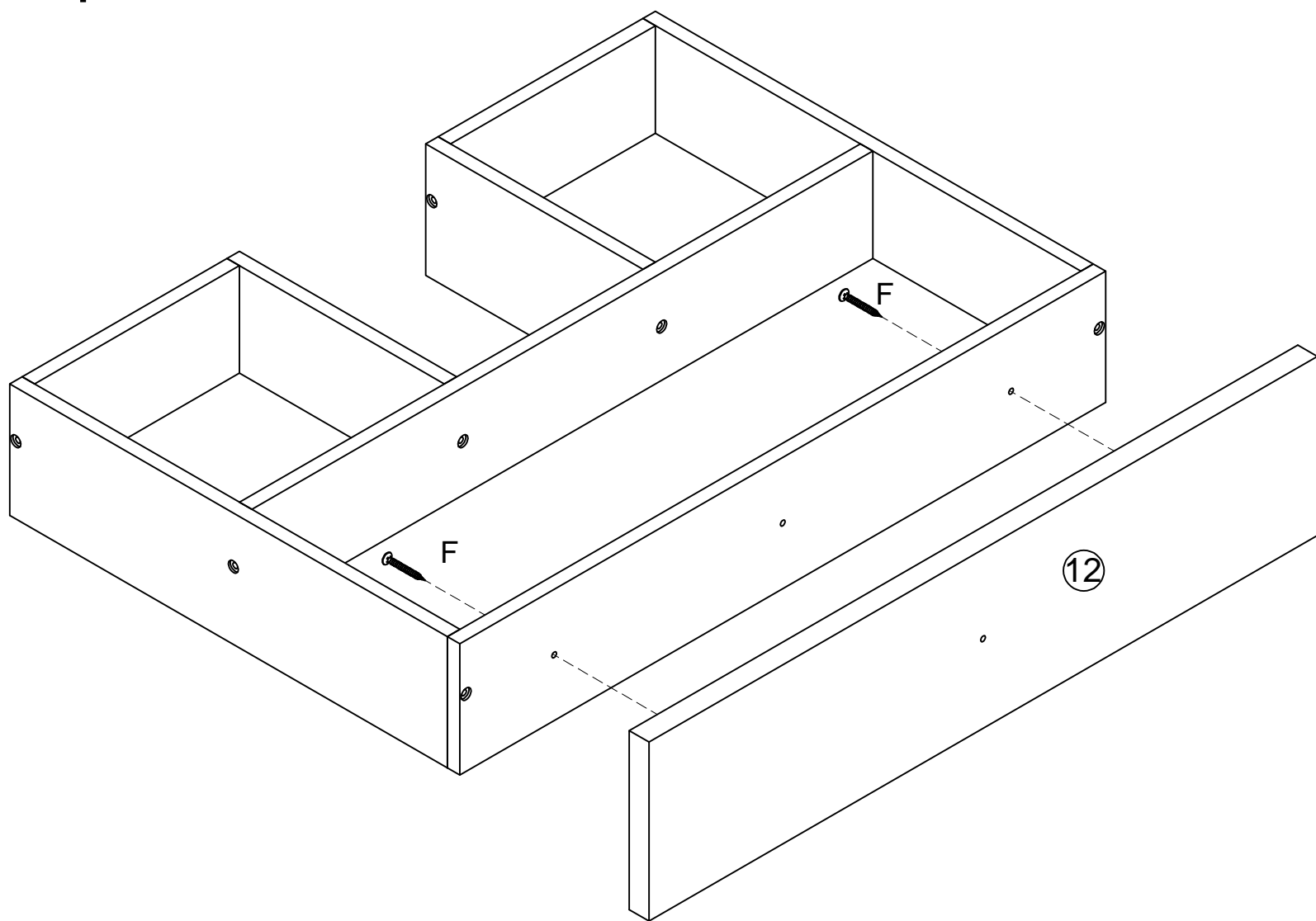
x2

Step 15



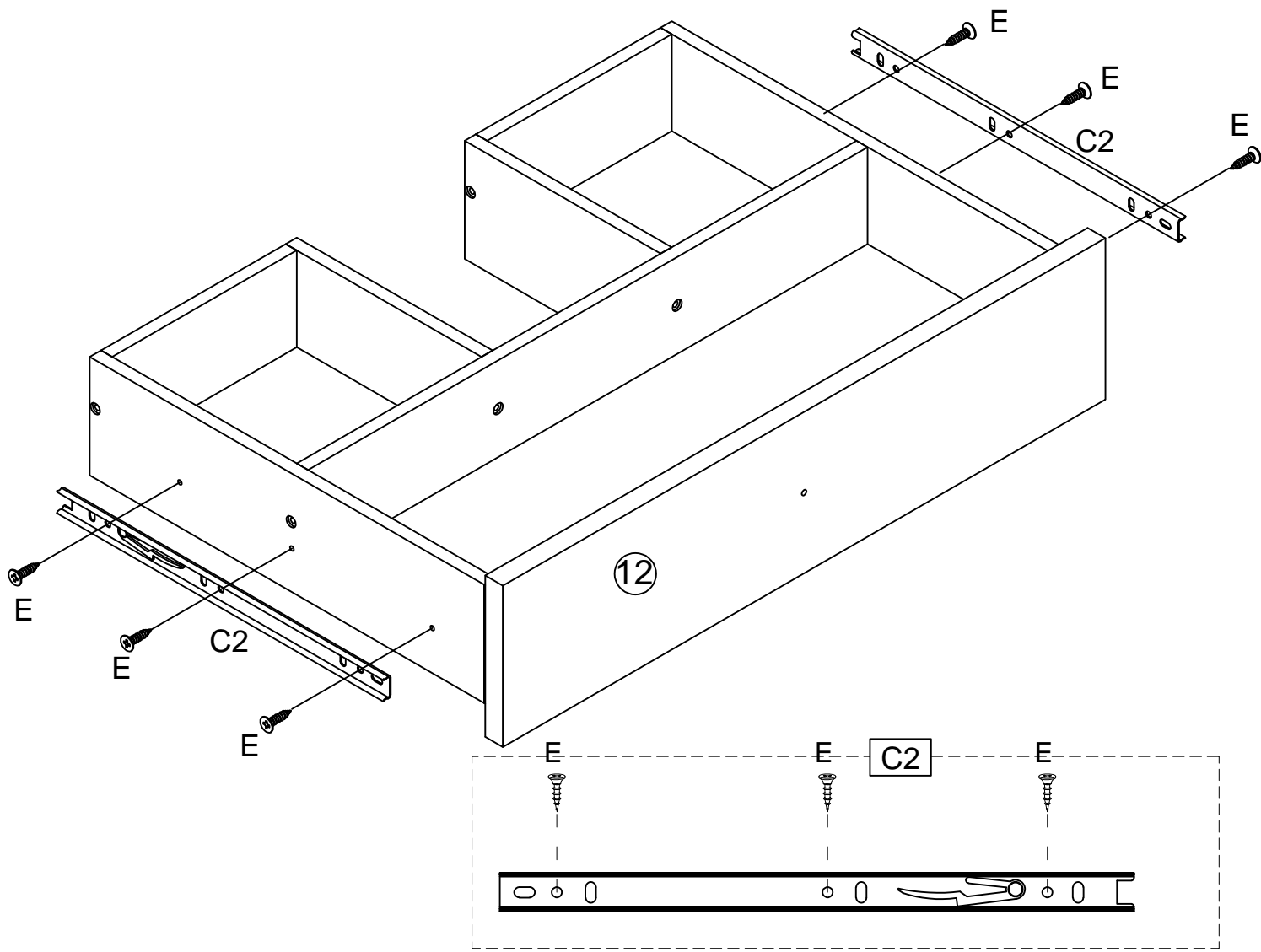
x2

Step 16



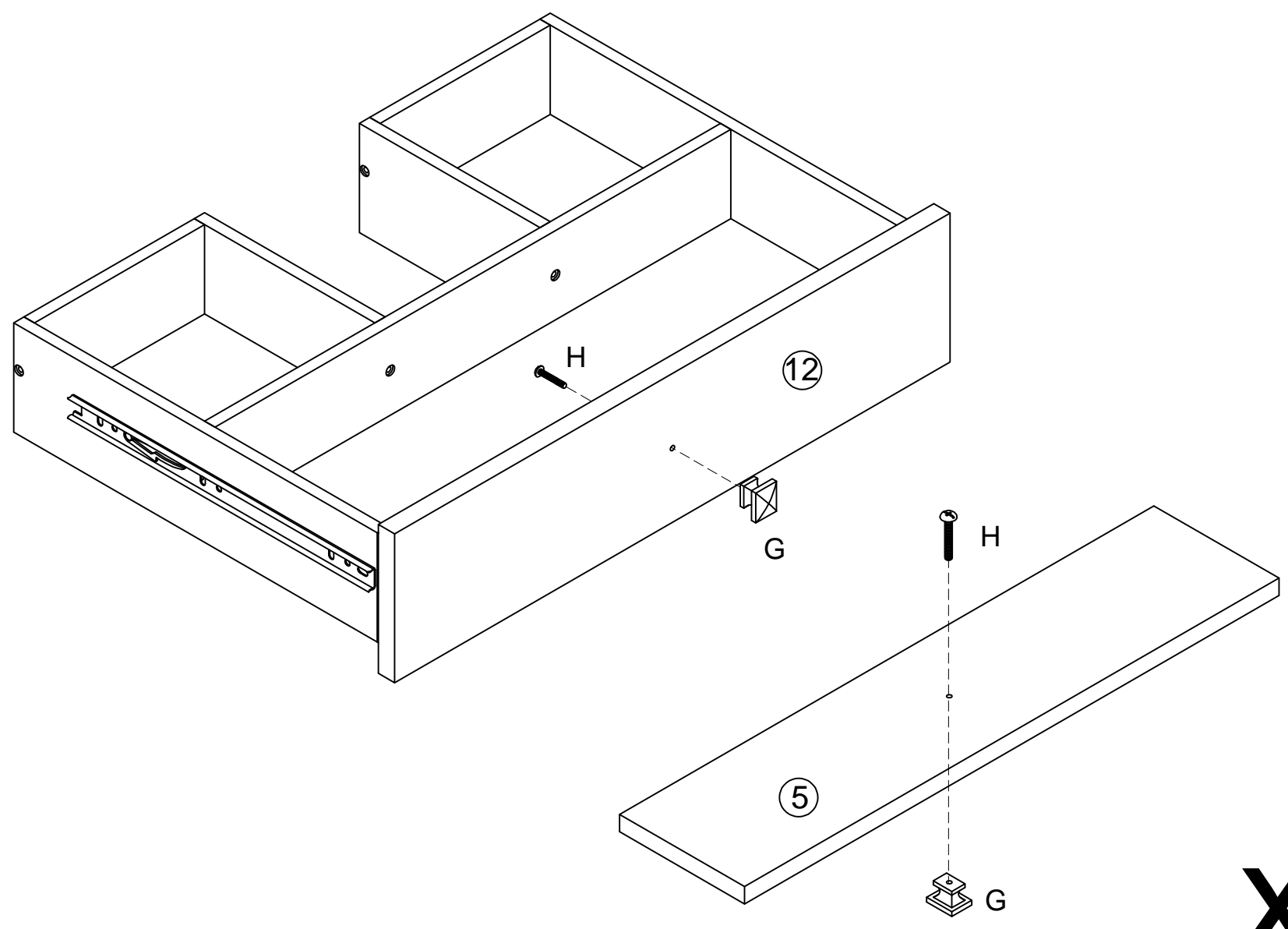
x2

Step 17



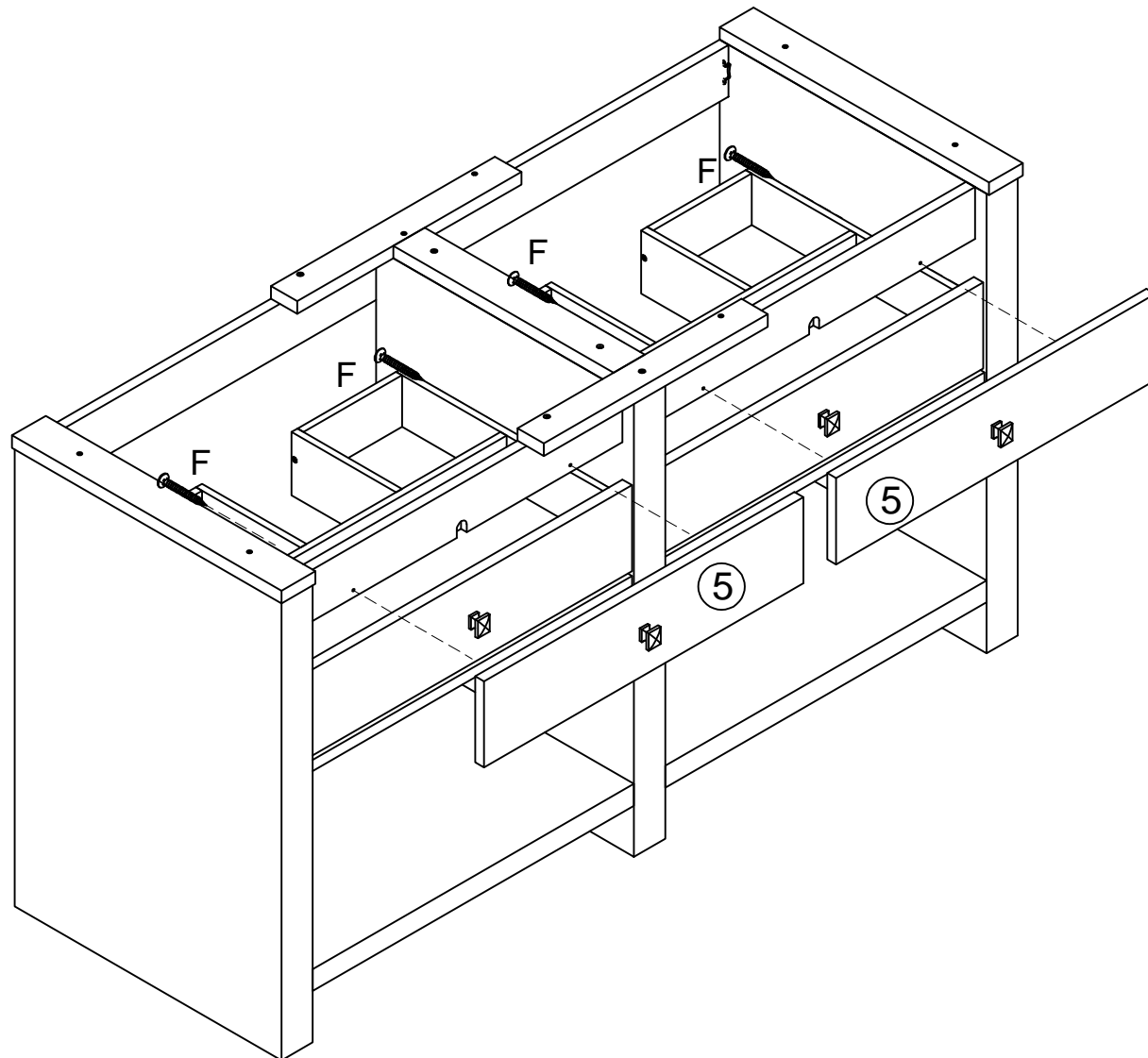
x2

Step 18

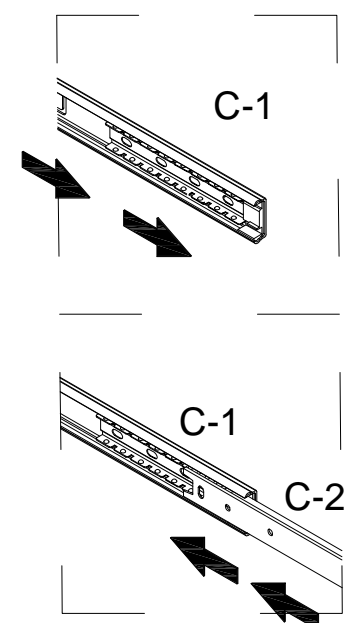
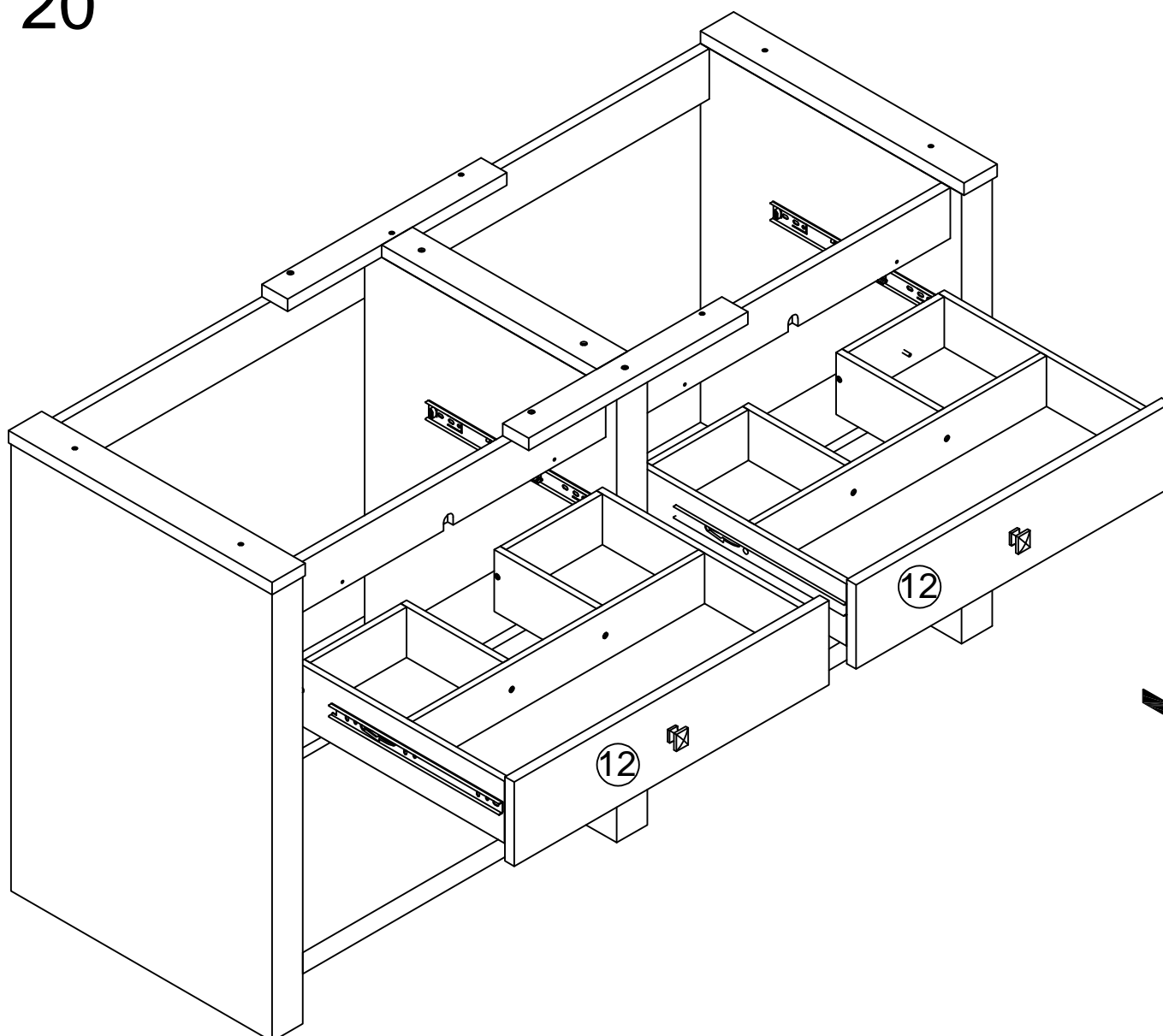


x2

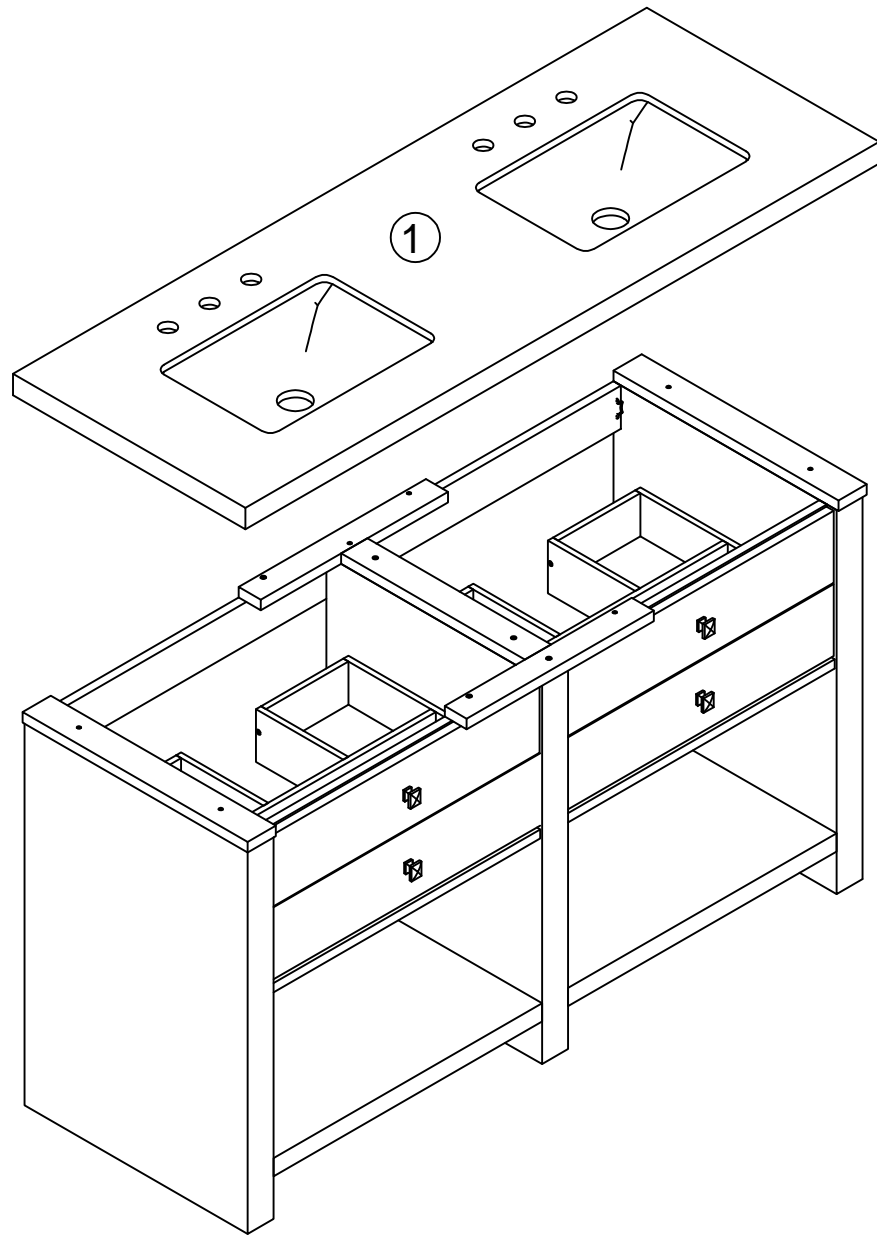
Step 19



Step 20



Step 21



Step 22

