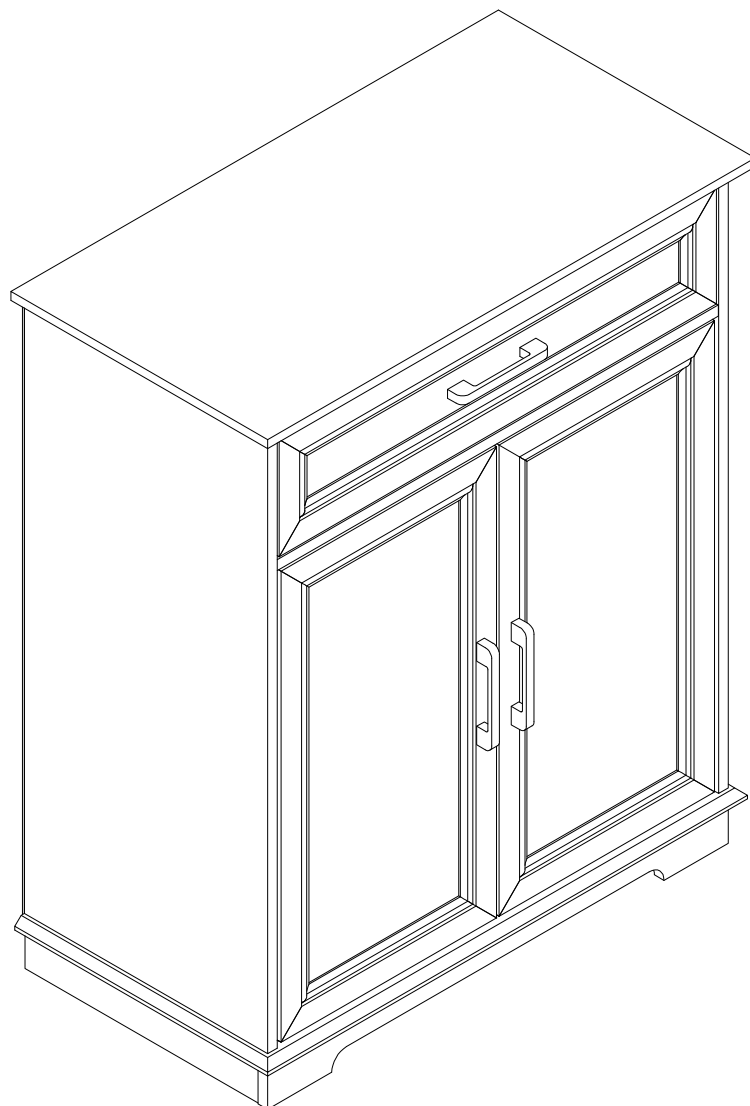


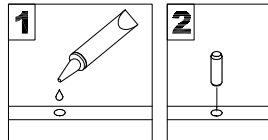
# User Manual

## Storage Cabinet

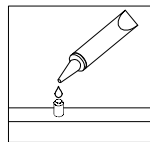


# General Assembly Guidelines

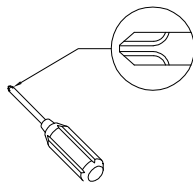
- I .Please ensure that all parts and hardware are available before assembly.
- II . Follow each step carefully to ensure the proper assembly of this product.
- III. For ease of assembly, two people are recommended to assemble this product.
- IV. The three main types of hardware are: wood dowels , screws and bolts.
- V . The glue is to secure wood dowels in place. When first inserting dowels, locate the appropriate hole for the dowel, and place a small amount of glue in the hole then insert the dowel. Please remember wipe away the excess glue immediately.



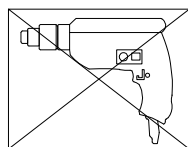
The dowels are necessary to attach assembly parts together in the following steps. Place a small amount of glue on the end of the dowel before attaching parts together. Please remember wipe away the excess glue immediately.



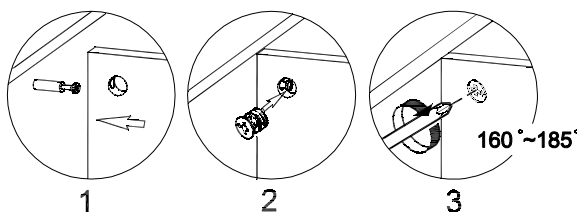
VI. A Phillips head screwdriver is required for the assembly of this product.



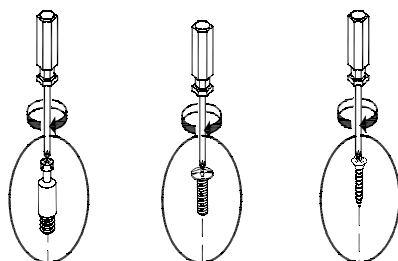
VII. Power tools should not be used when assemble this product.



VIII. Steps for assembly of three-in-one screws.

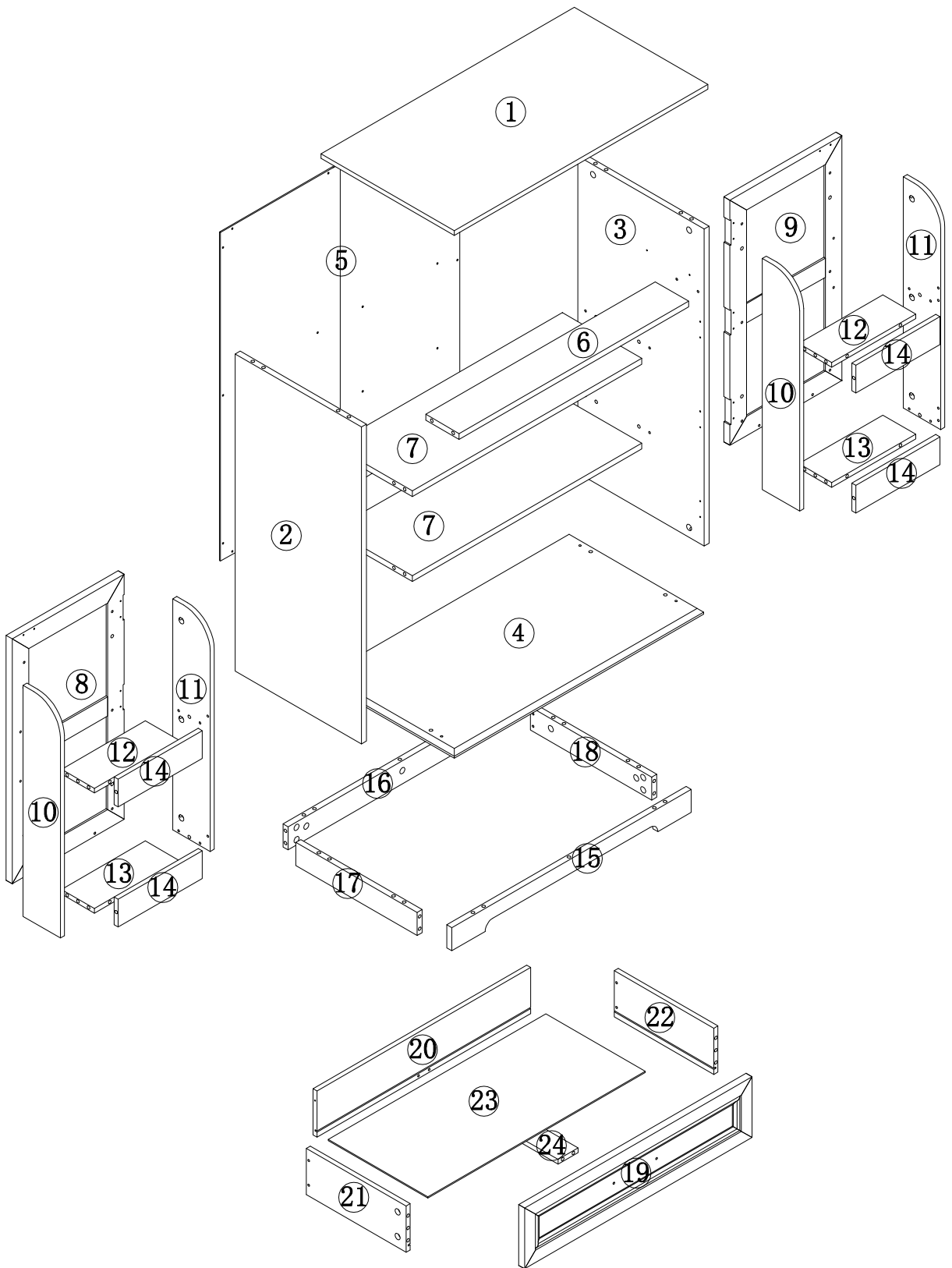


IX. Screw fixation diagram for all fittings.

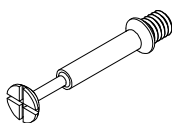


# Parts List

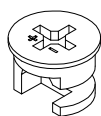
- ① x 1
- ② x 1
- ③ x 1
- ④ x 1
- ⑤ x 1
- ⑥ x 1
- ⑦ x 2
- ⑧ x 1
- ⑨ x 1
- ⑩ x 2
- ⑪ x 2
- ⑫ x 2
- ⑬ x 2
- ⑭ x 4
- ⑮ x 1
- ⑯ x 1
- ⑰ x 1
- ⑱ x 1
- ⑲ x 1
- ⑳ x 1
- ㉑ x 1
- ㉒ x 1
- ㉓ x 1
- ㉔ x 1



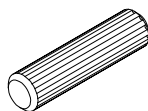
# Hardware List



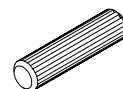
A x 94+2pcs



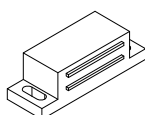
Ø15  
B x 94+2pcs



Ø8\*30mm  
C x 24+1pcs



Ø6\*30mm  
D x 18+1pcs



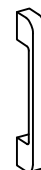
E x 2pcs



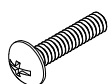
F x 2pcs



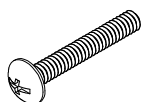
Ø3.5\*15mm  
G x 8pcs



H x 3pcs



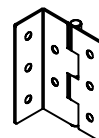
Ø5/32"\*10mm  
I x 2pcs



Ø5/32"\*22mm  
J x 4pcs



Ø3.5\*16mm  
K x 22+1pcs



L x 6pcs



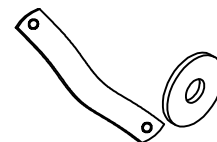
Ø3.9\*15mm  
M x 48+2pcs



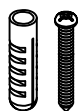
Ø3.5\*12mm  
N x 14+1pcs



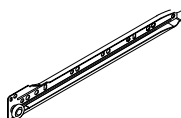
Ø3.5\*30mm  
O x 4pcs



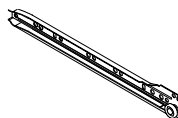
P x 2pcs+4pcs



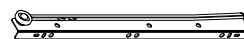
Q x 2pcs+2pcs



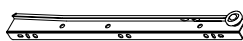
R-CL x 1pc



R-CR x 1pc



R-DL x 1pc



R-DR x 1pc

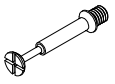


x 1pc

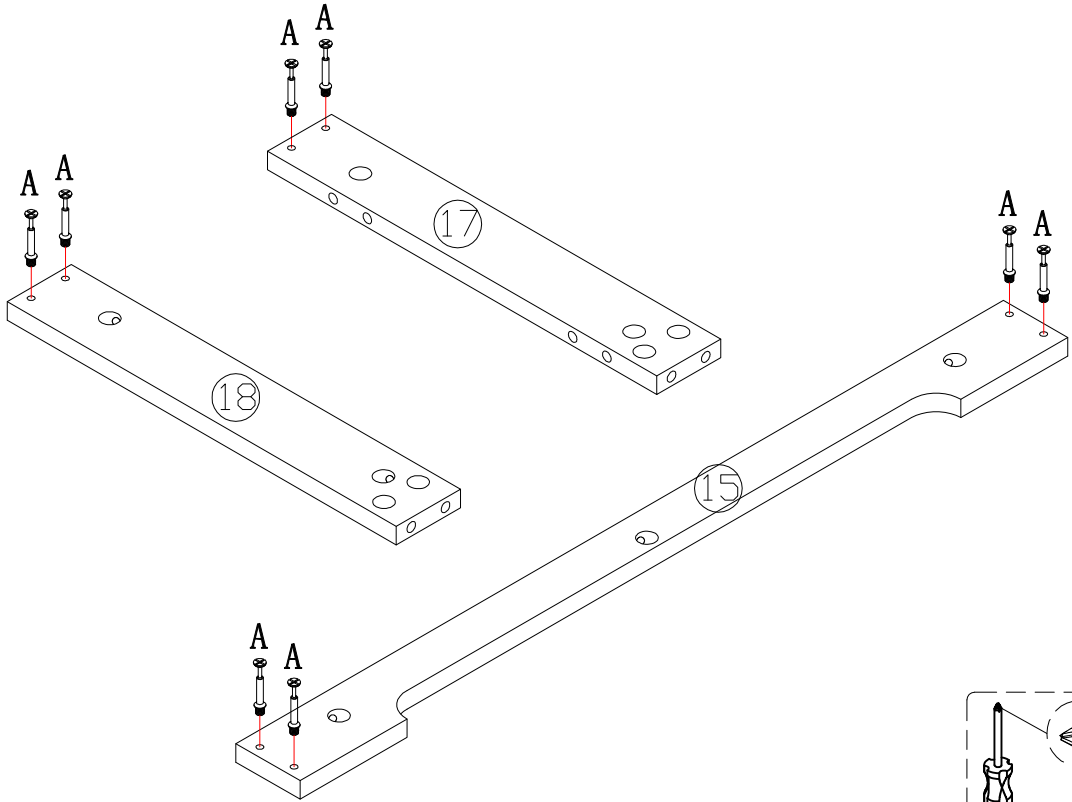


x 1pcs

# STEP#1



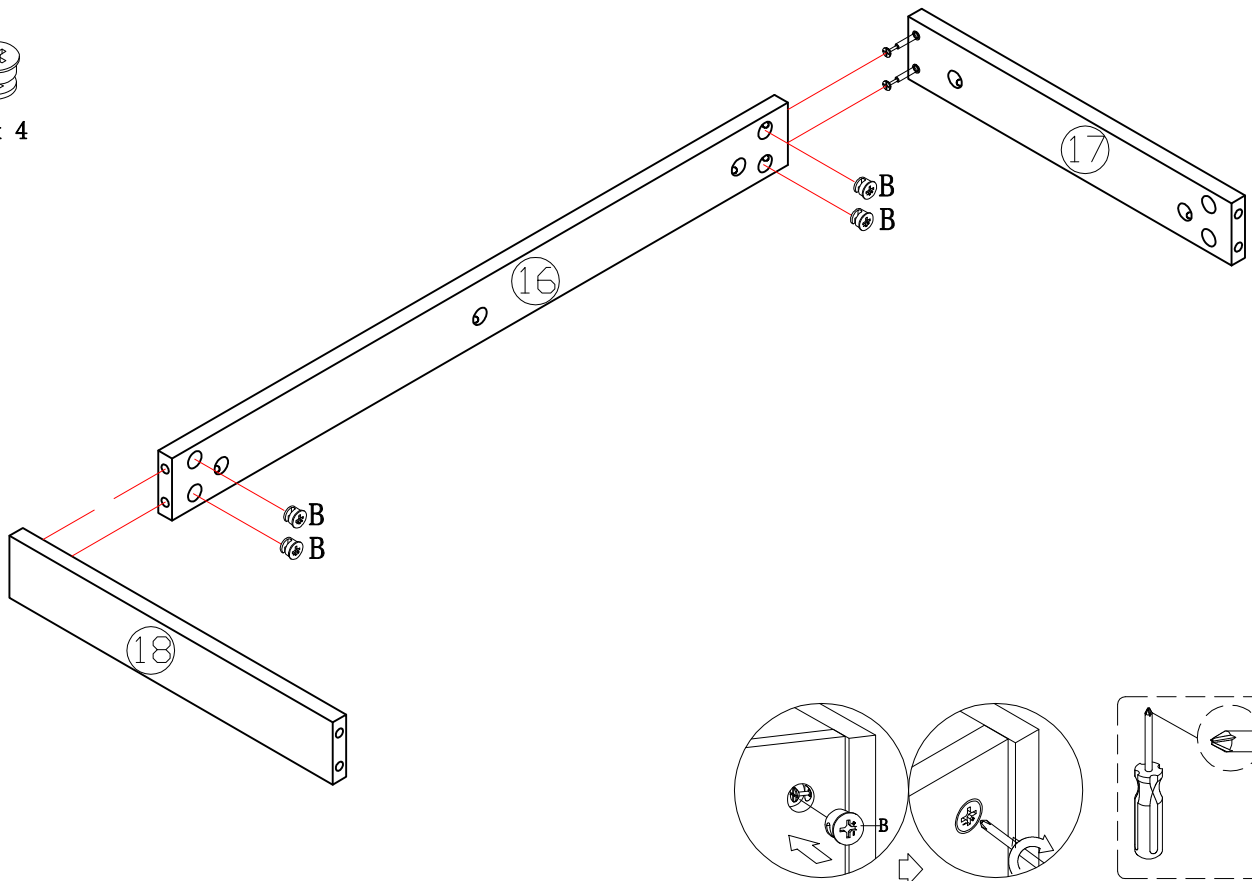
A x 8



# STEP#2



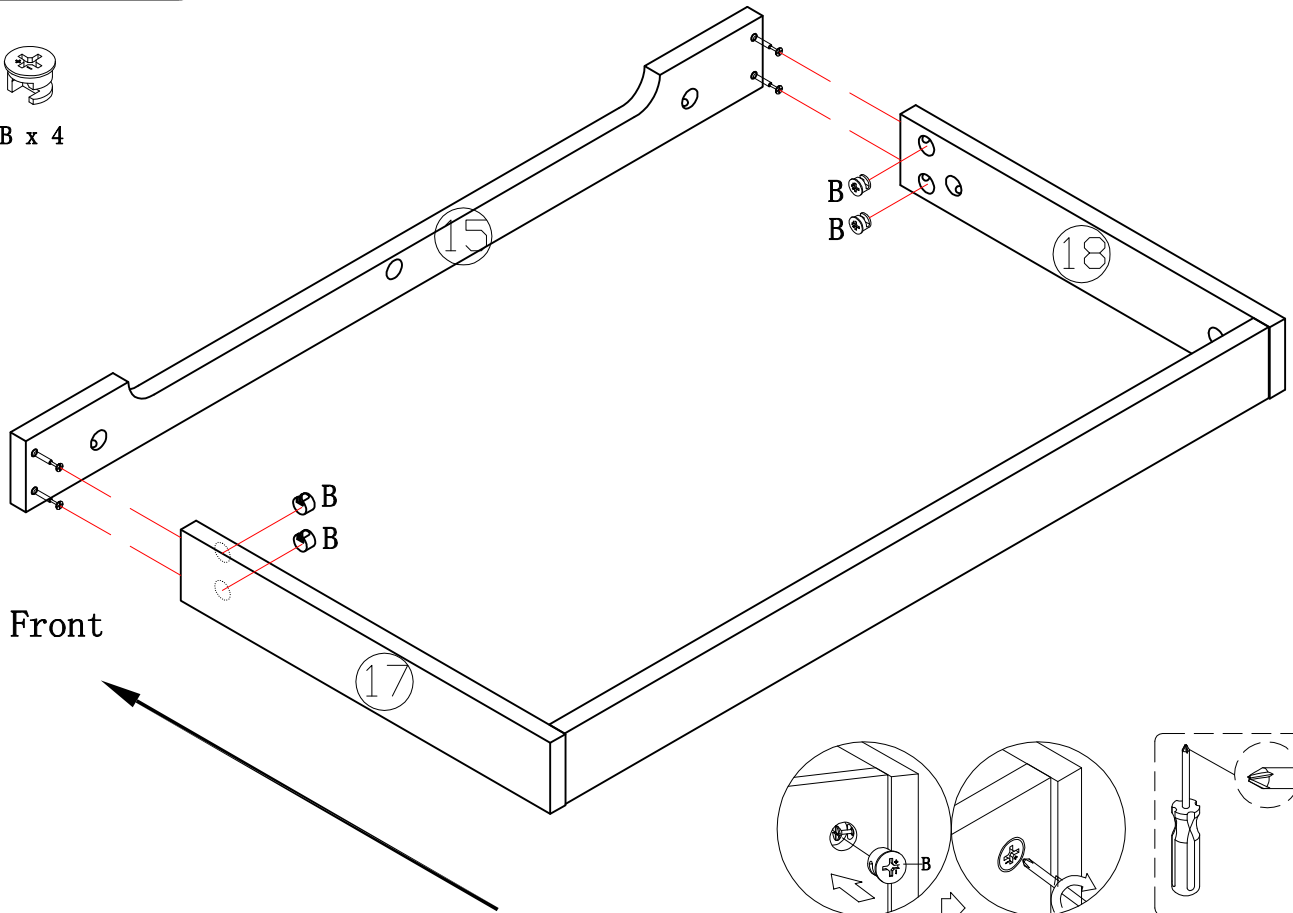
B x 4



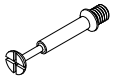
### STEP#3



B x 4



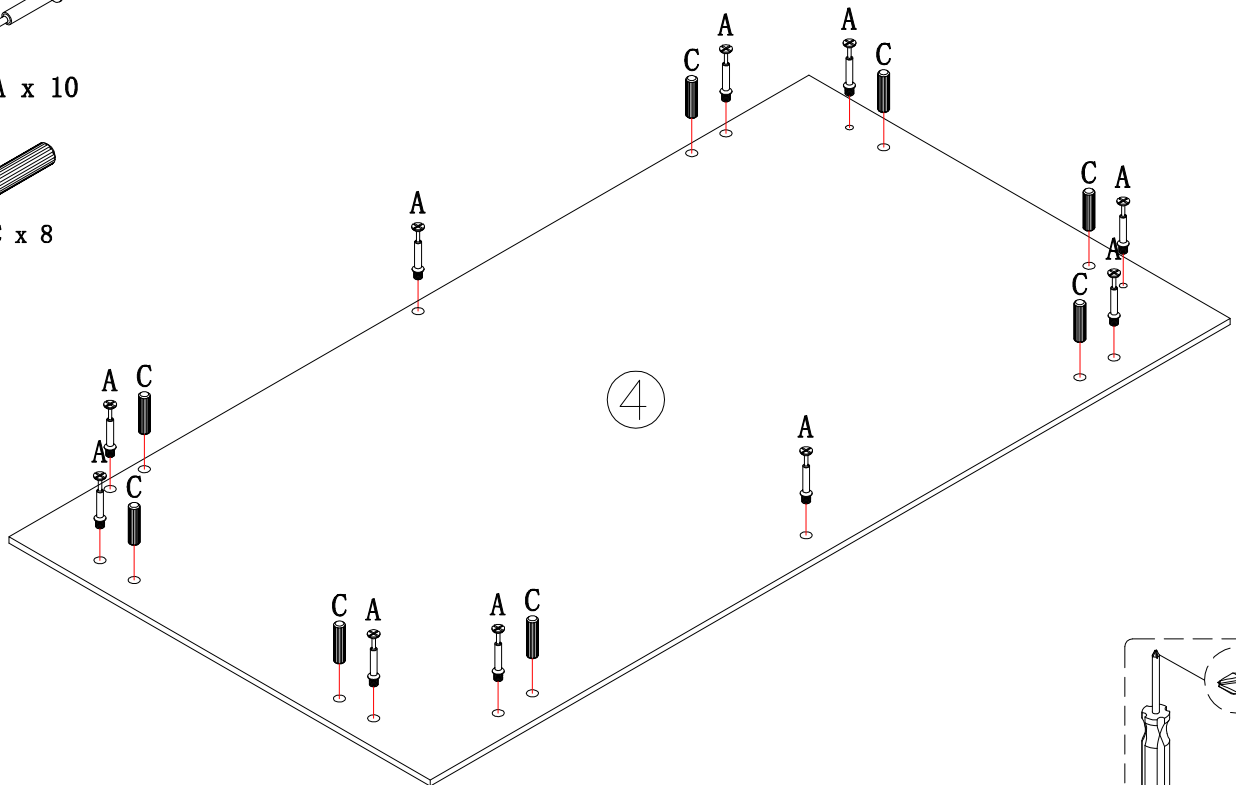
### STEP#4



A x 10



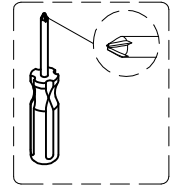
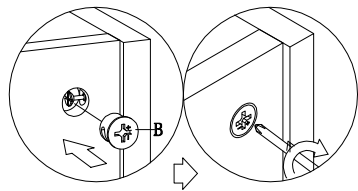
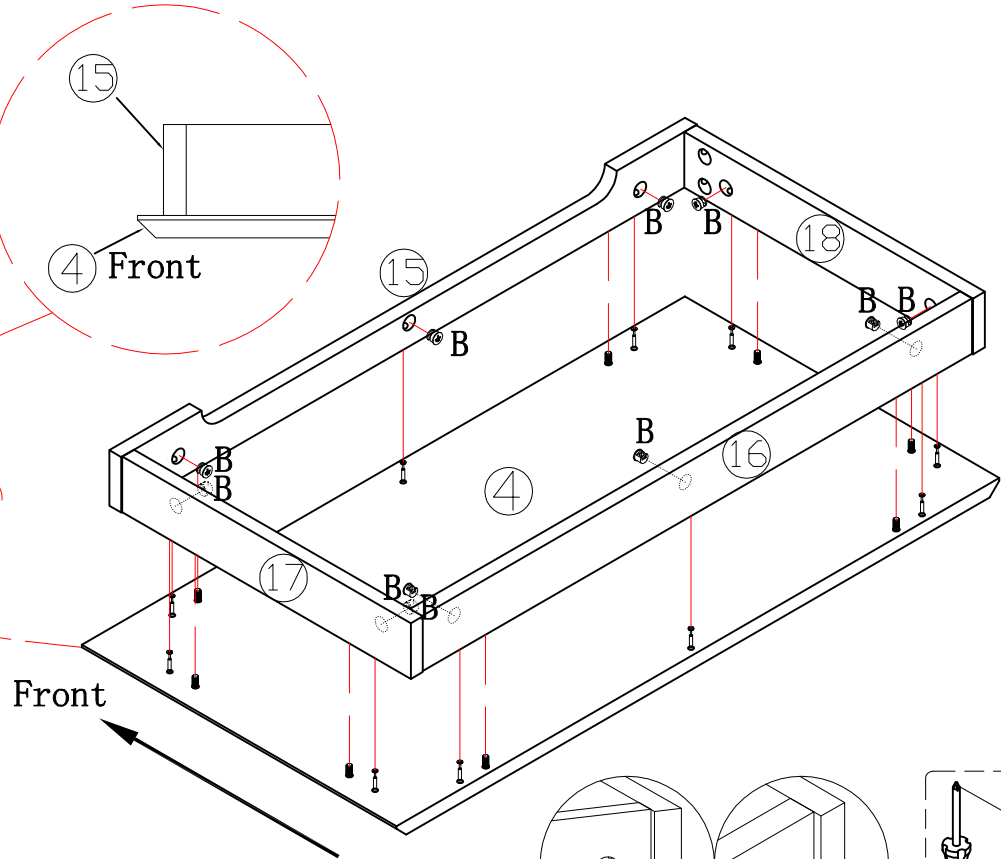
C x 8



# STEP#5



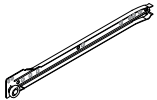
B x 10



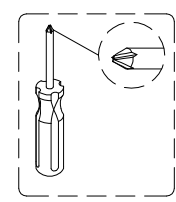
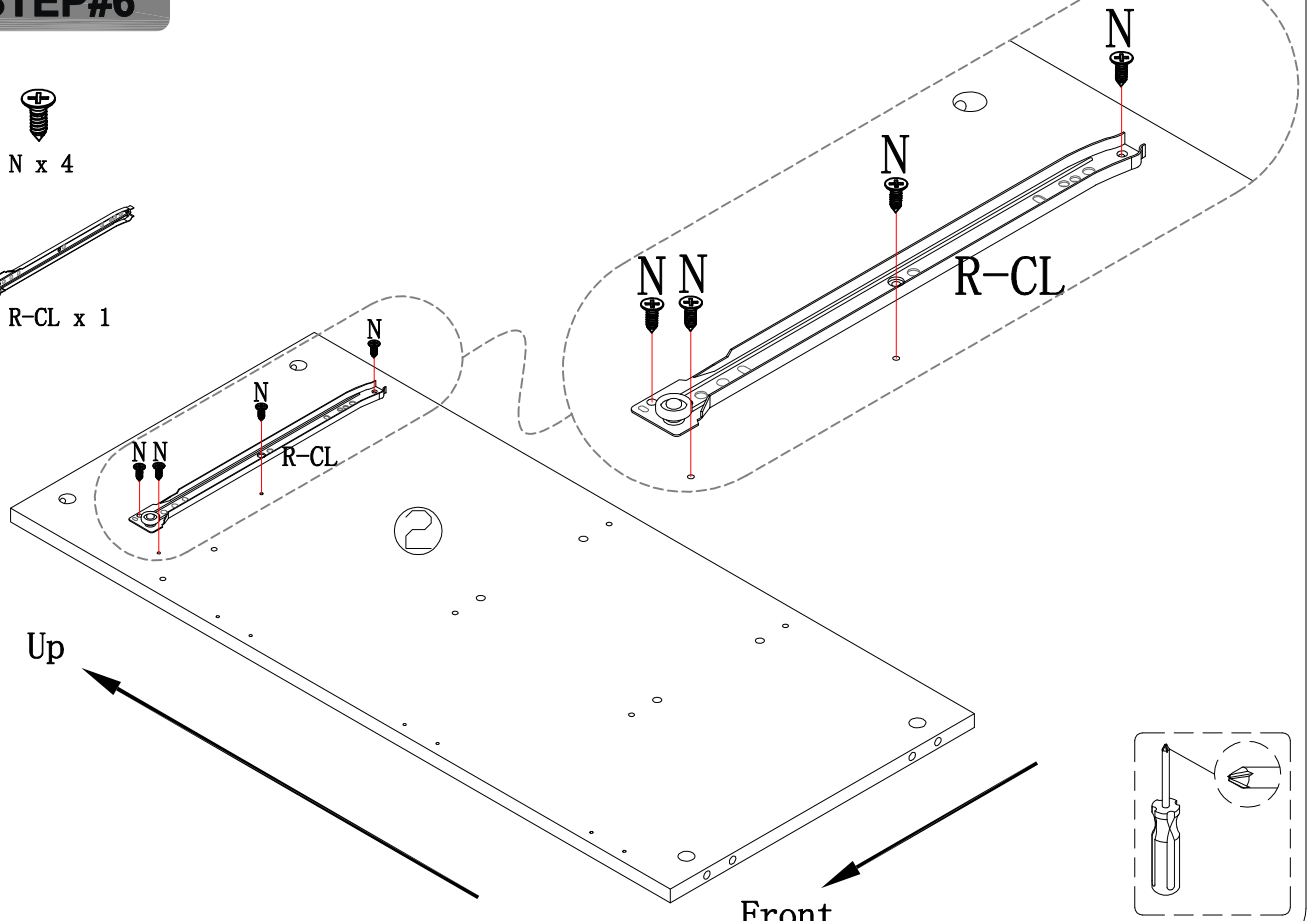
# STEP#6



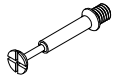
N x 4



R-CL x 1



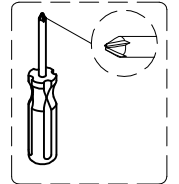
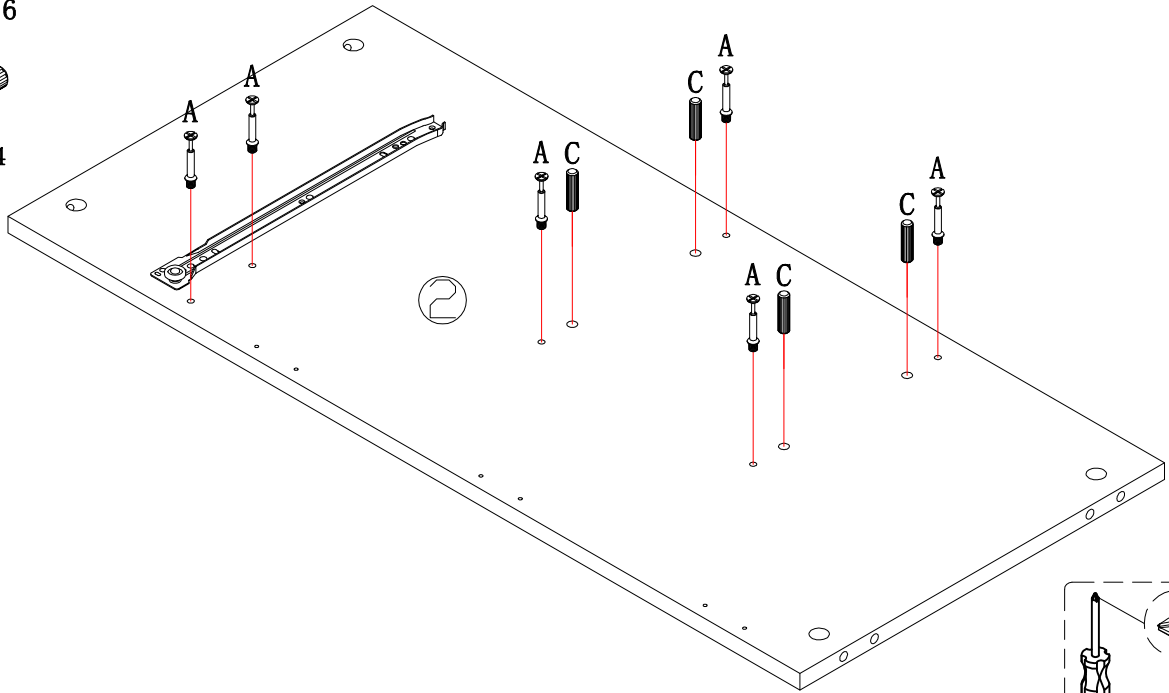
# STEP#7



A x 6



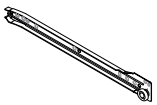
C x 4



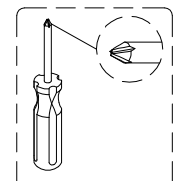
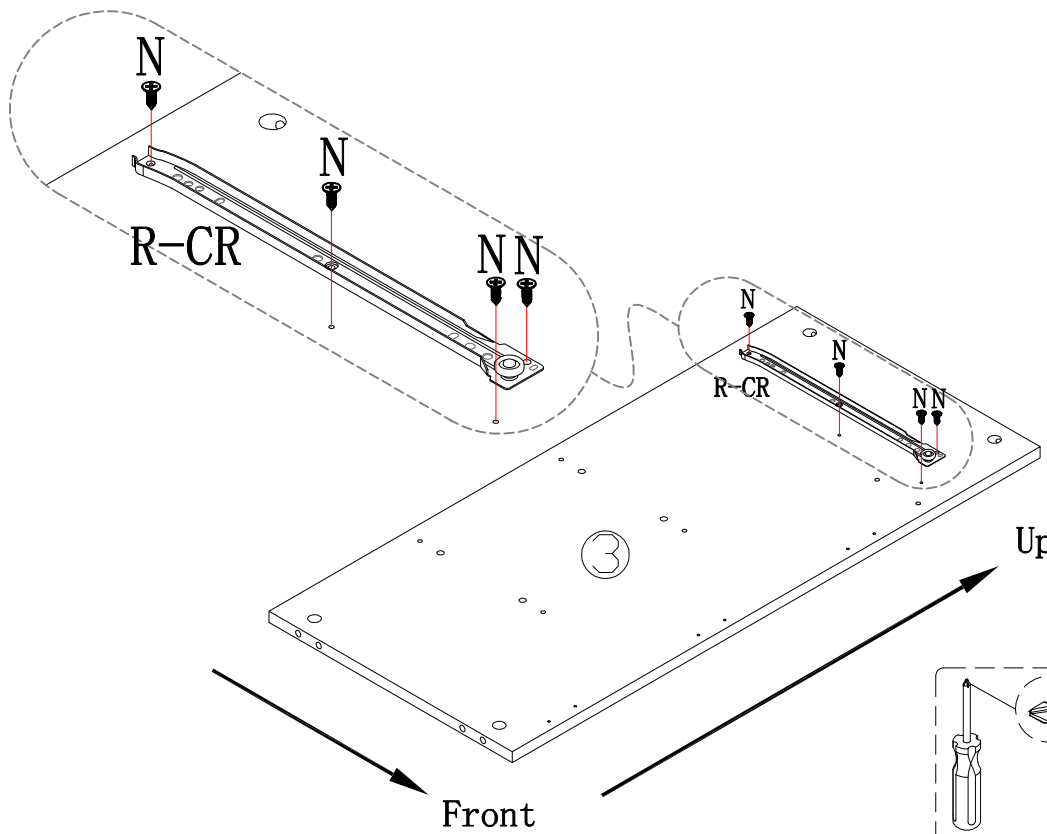
# STEP#8



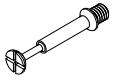
N x 4



R-CR x 1



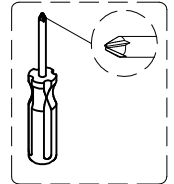
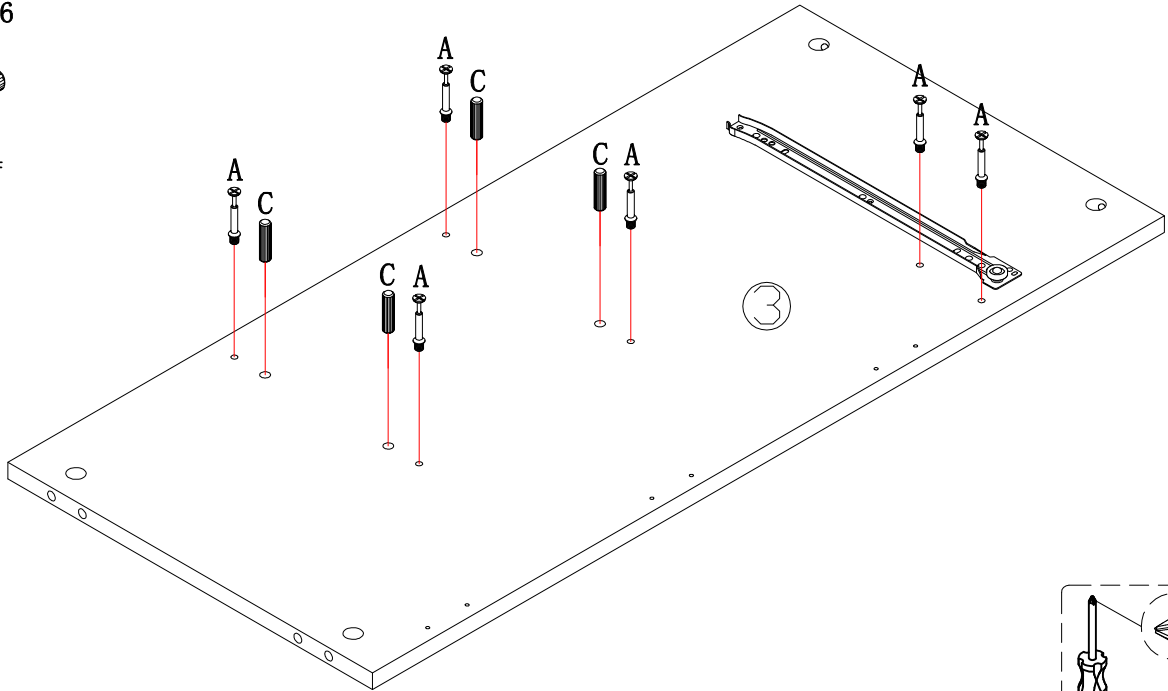
# STEP#9



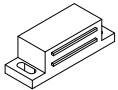
A x 6



C x 4



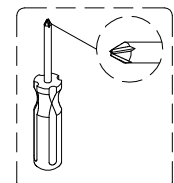
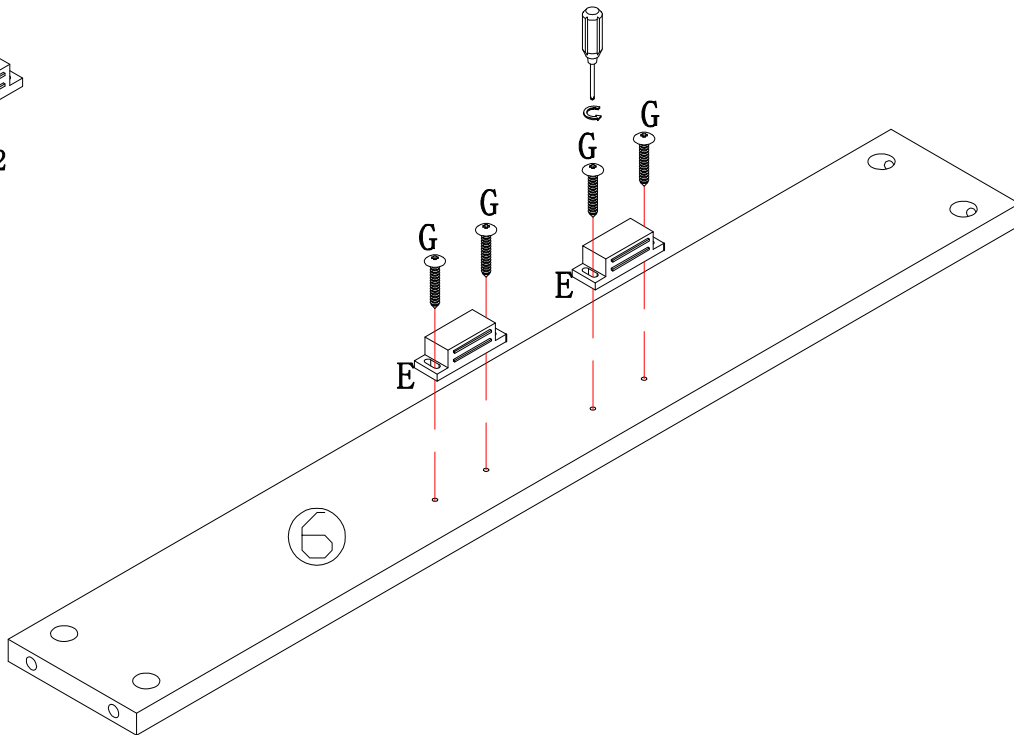
# STEP#10



E x 2



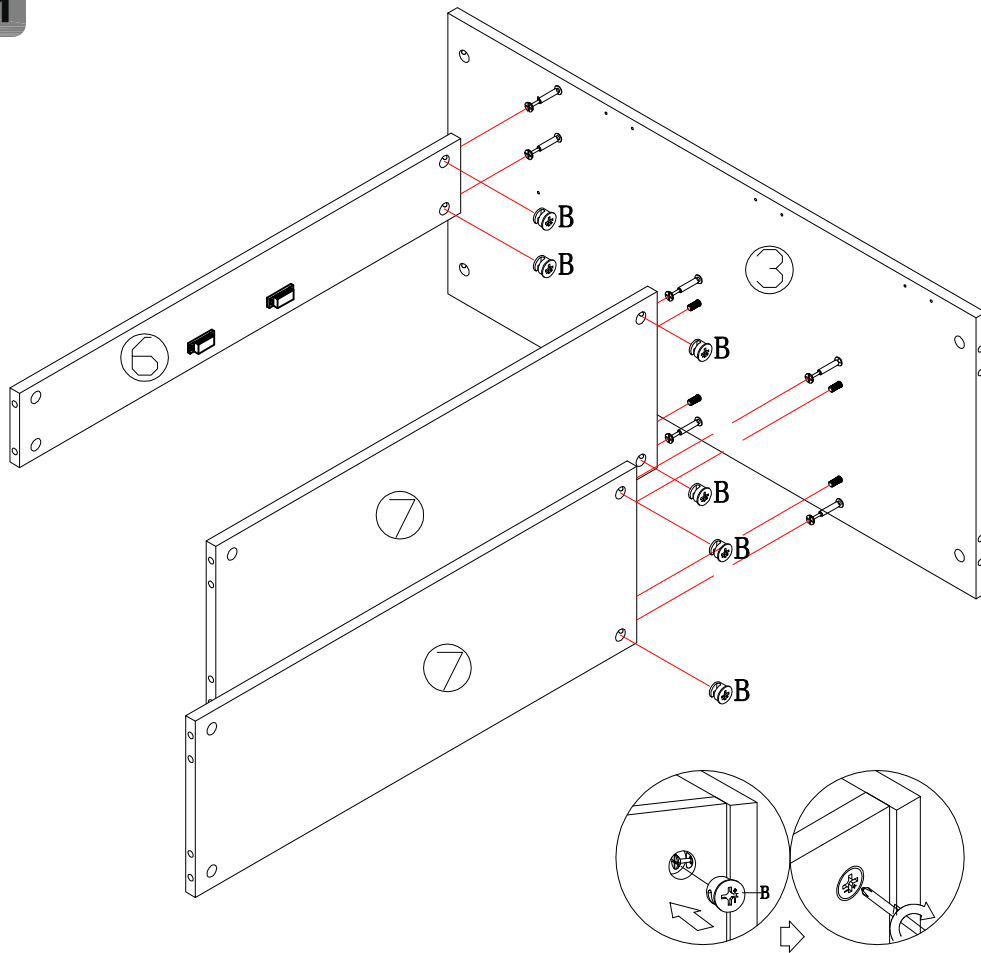
G x 4



# STEP#11



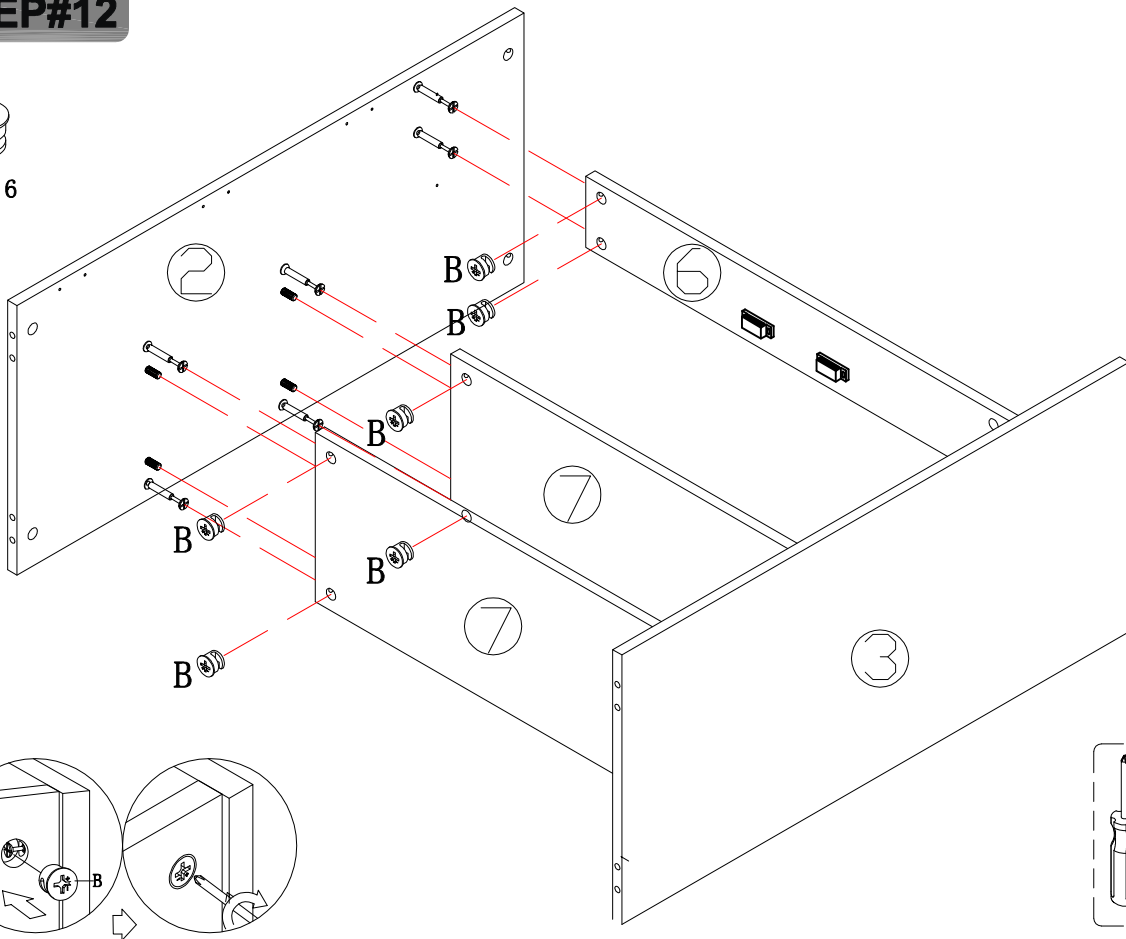
B x 6



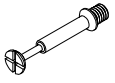
# STEP#12



B x 6



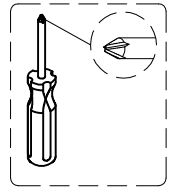
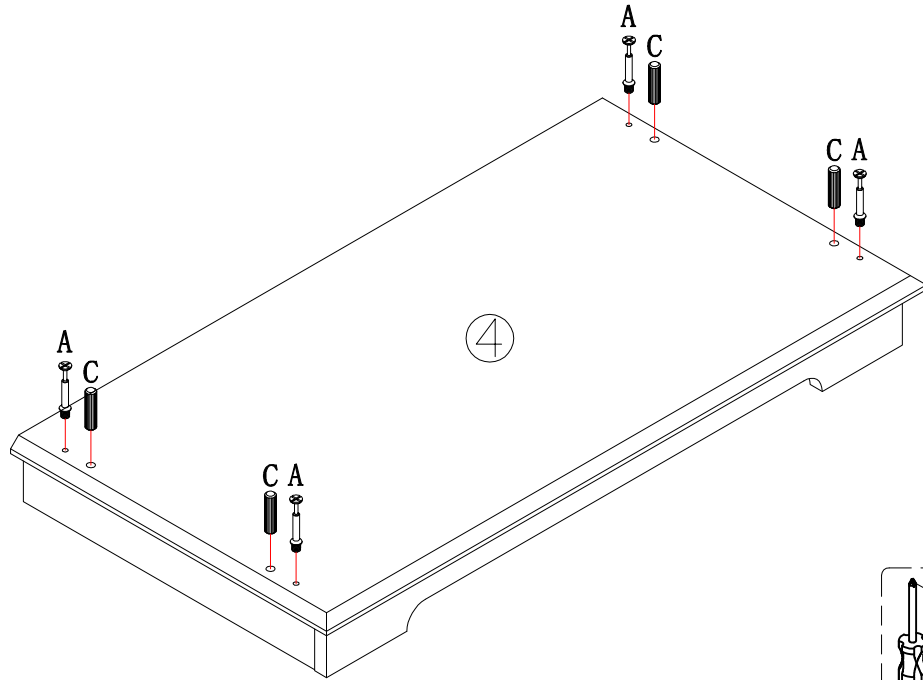
# STEP#13



A x 4



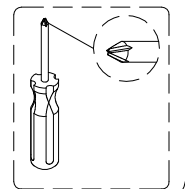
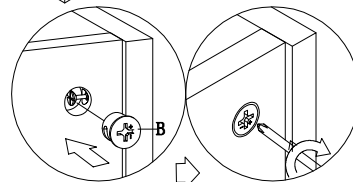
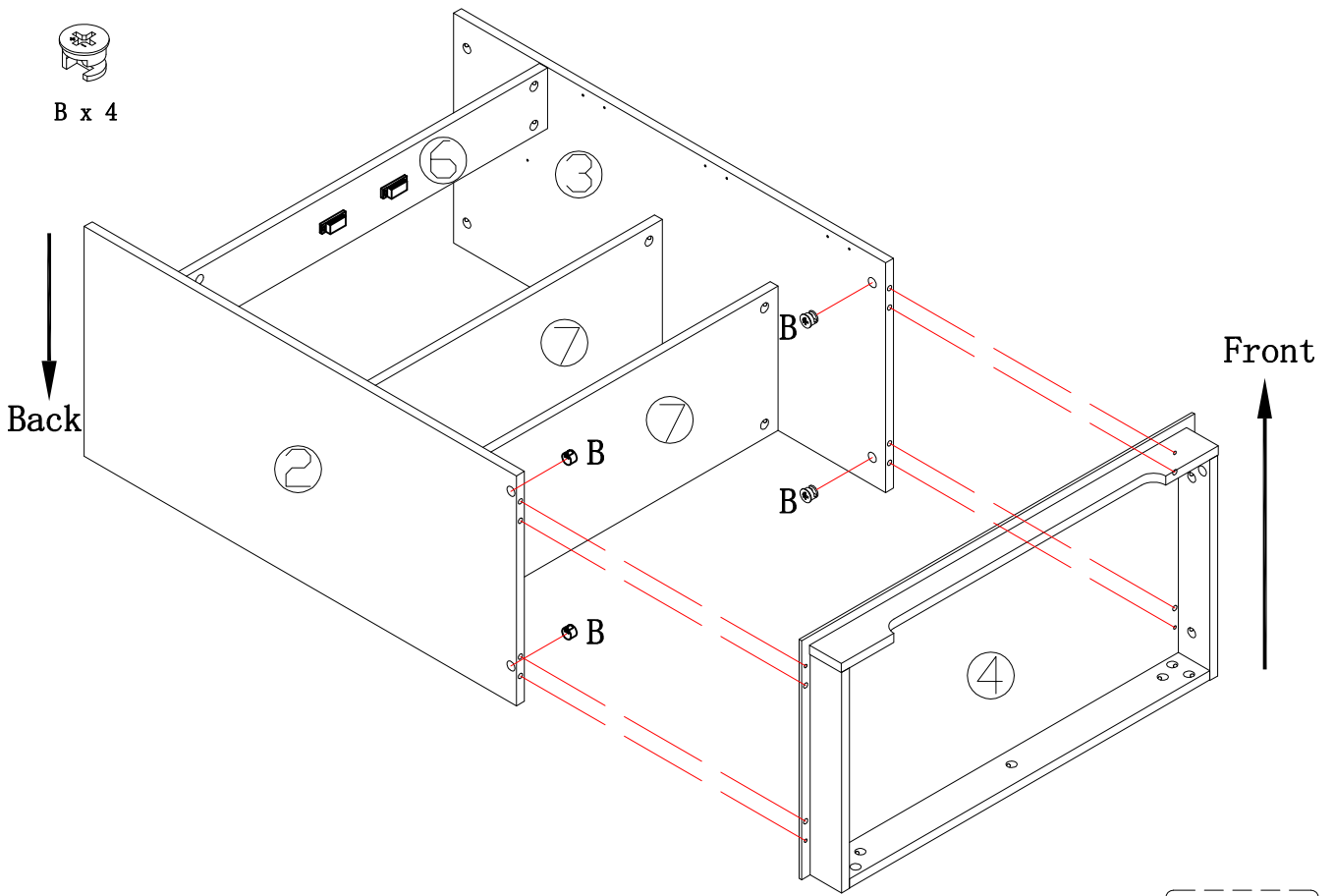
C x 4



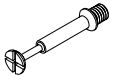
# STEP#14



B x 4



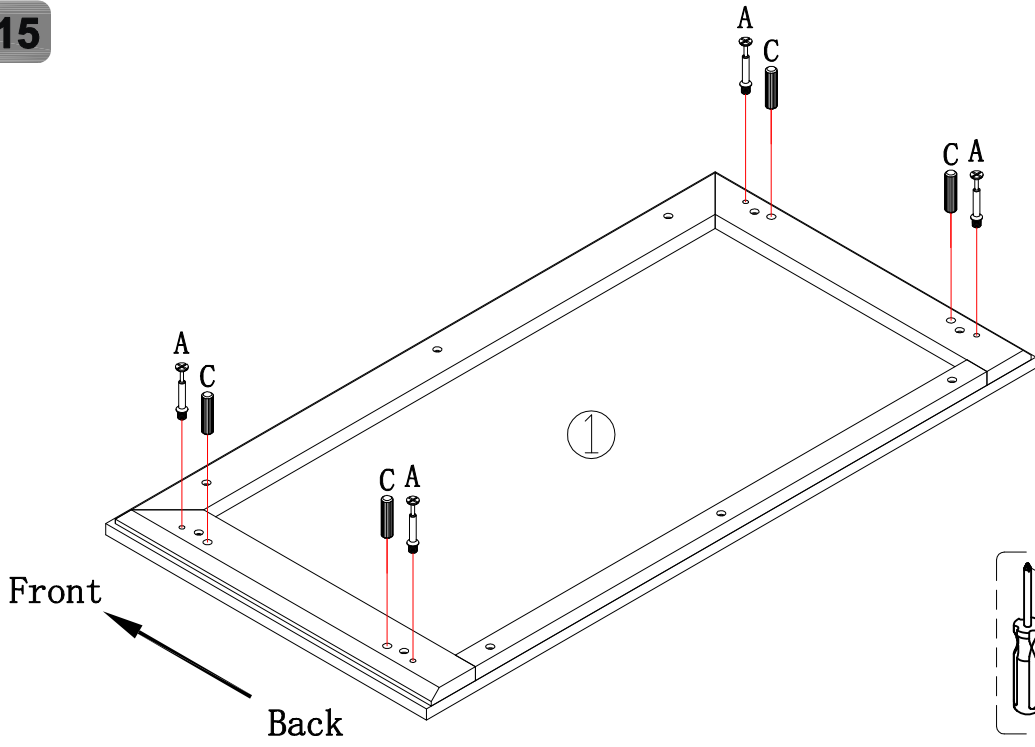
# STEP#15



A x 4



C x 4



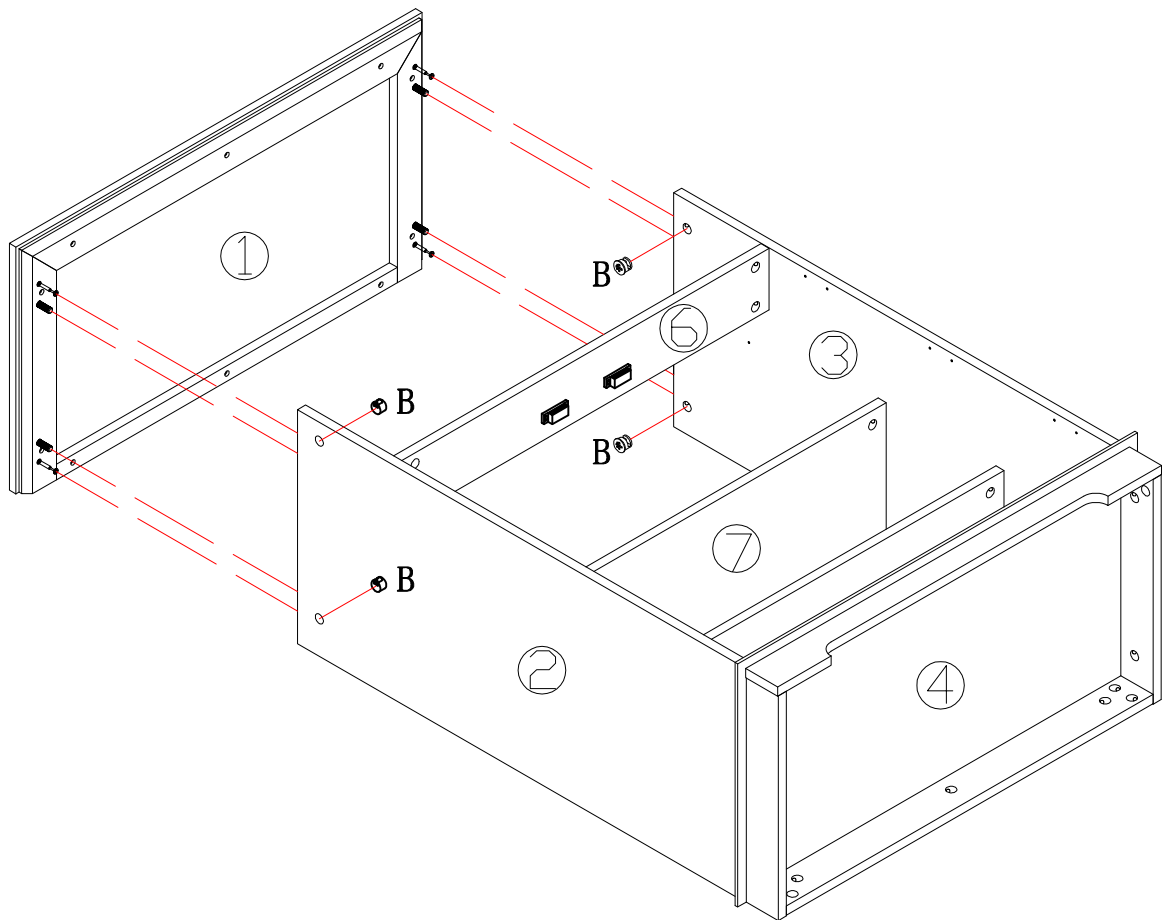
# STEP#16



B x 4

Front

Back

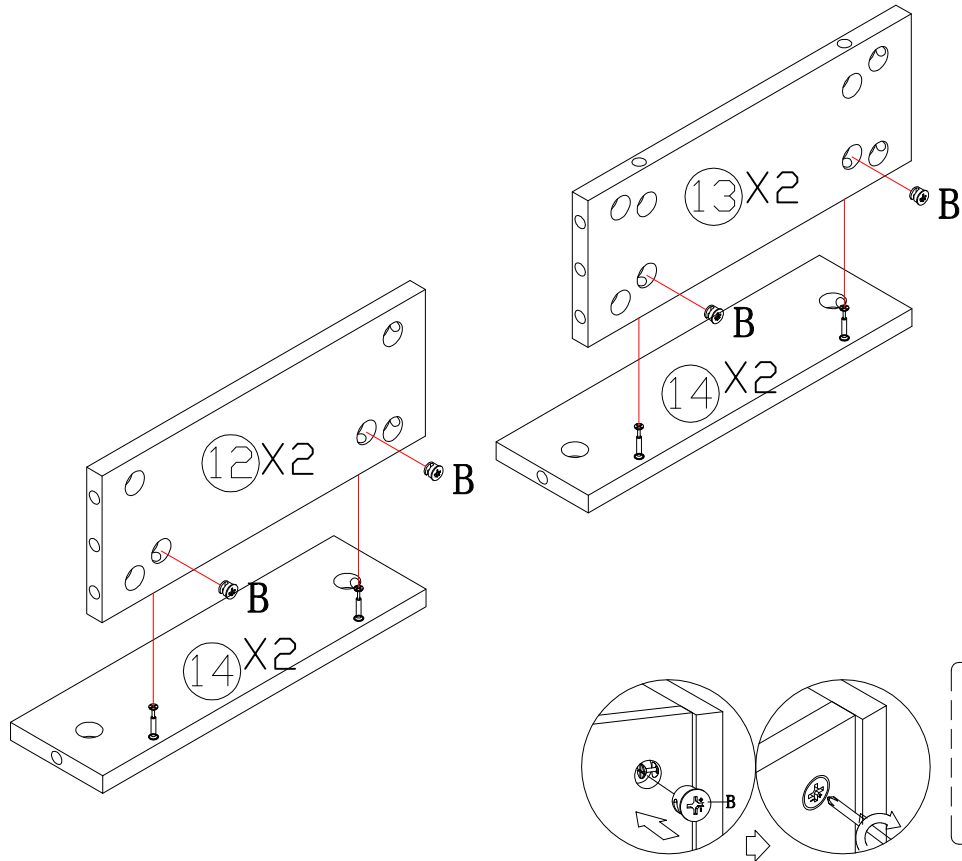




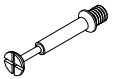
# STEP#19



B x 8



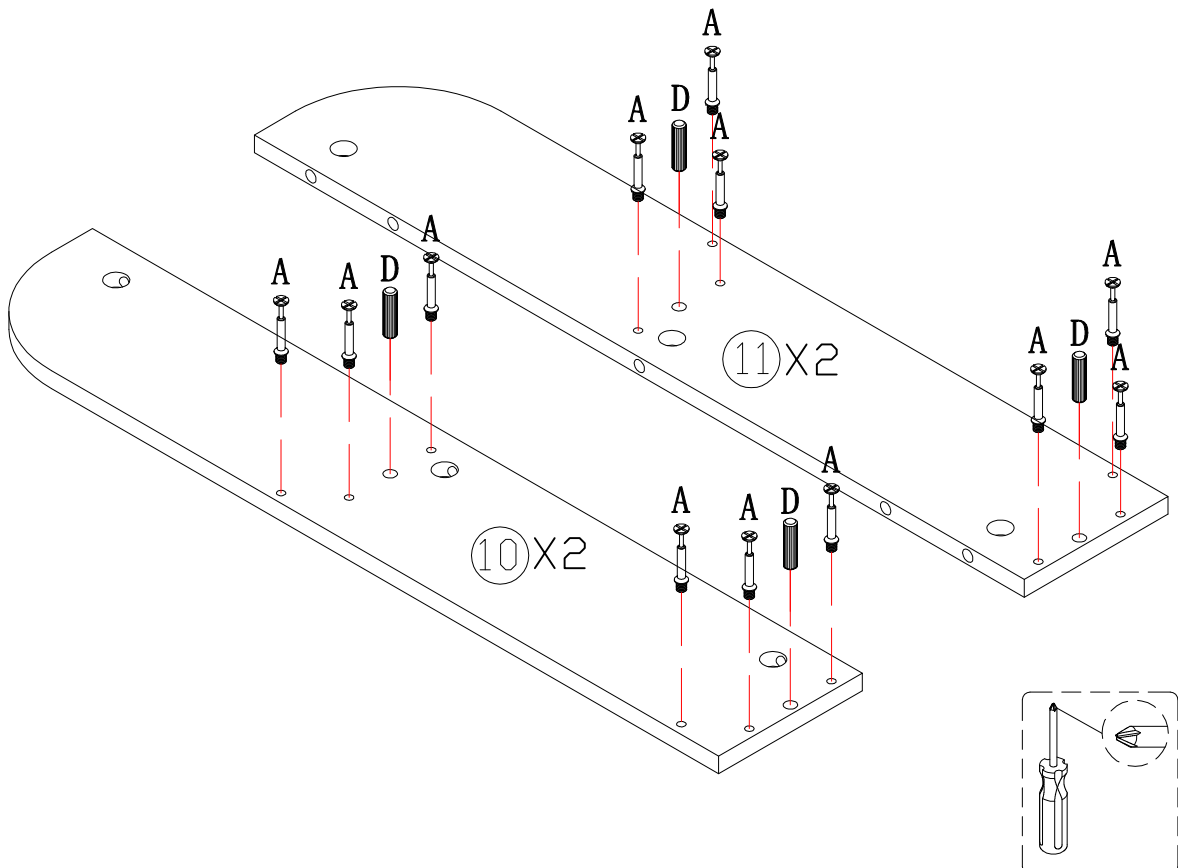
# STEP#20



A x 24



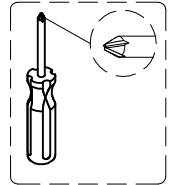
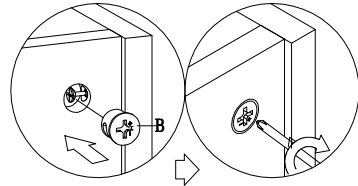
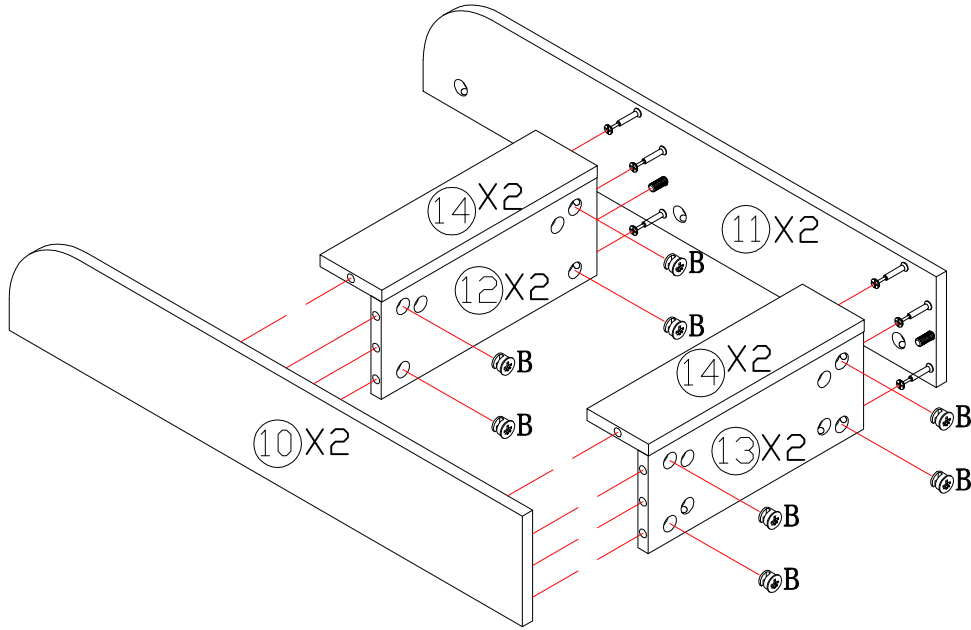
D x 8



# STEP#21



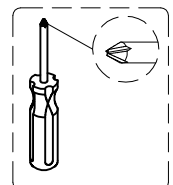
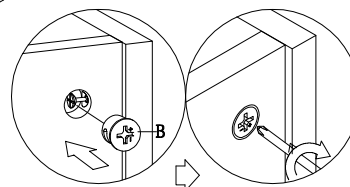
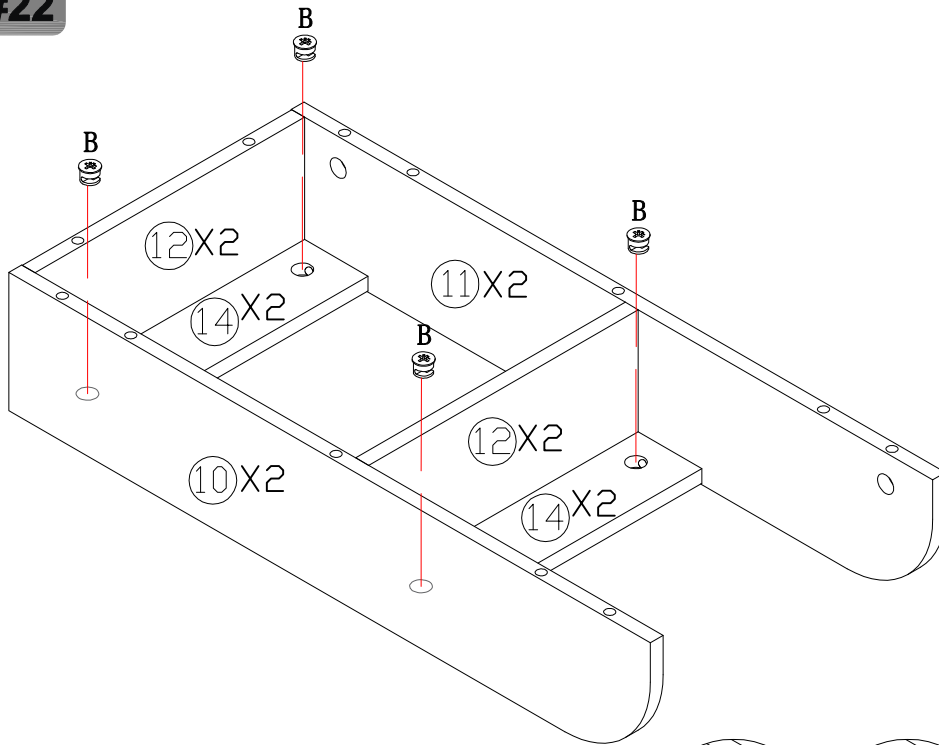
B x 16



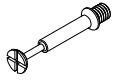
# STEP#22



B x 8



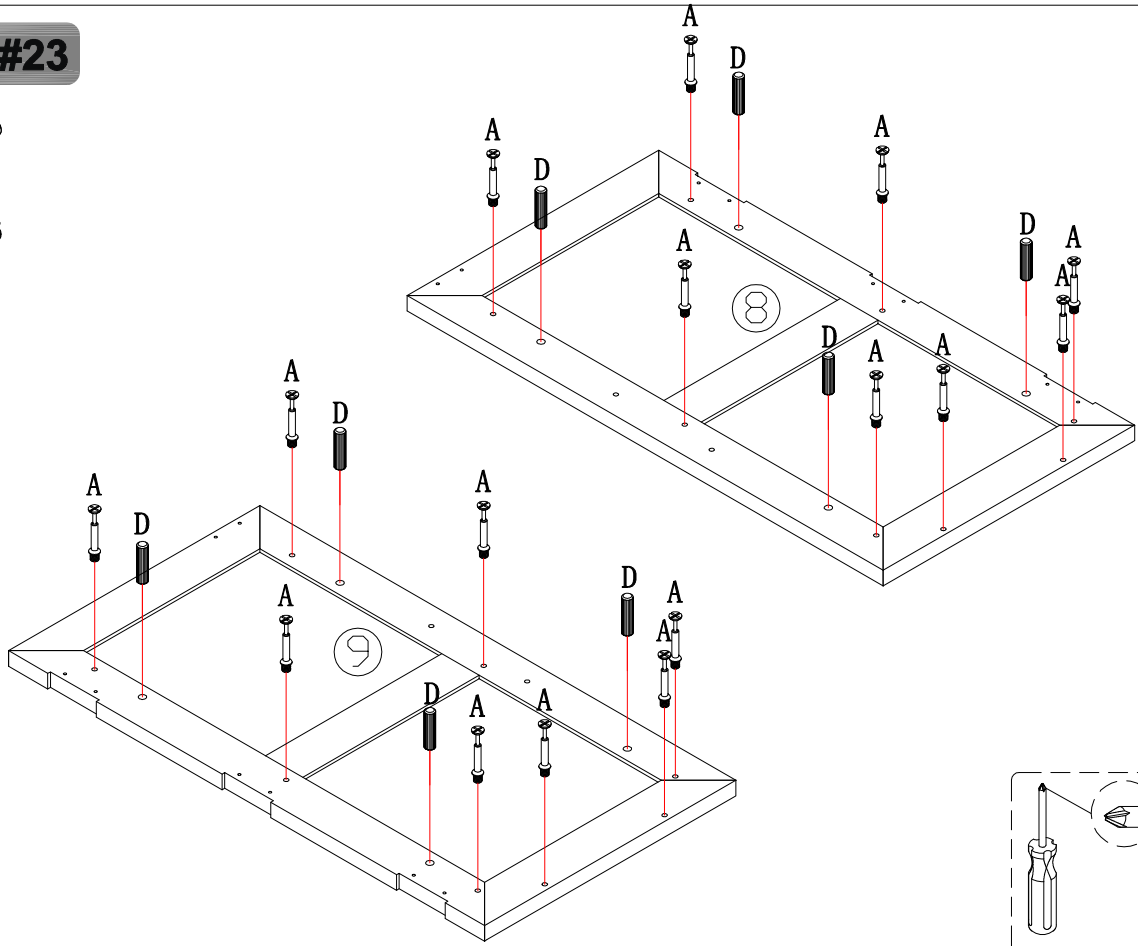
# STEP#23



A x 16



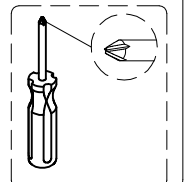
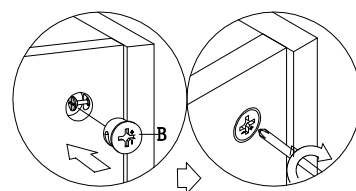
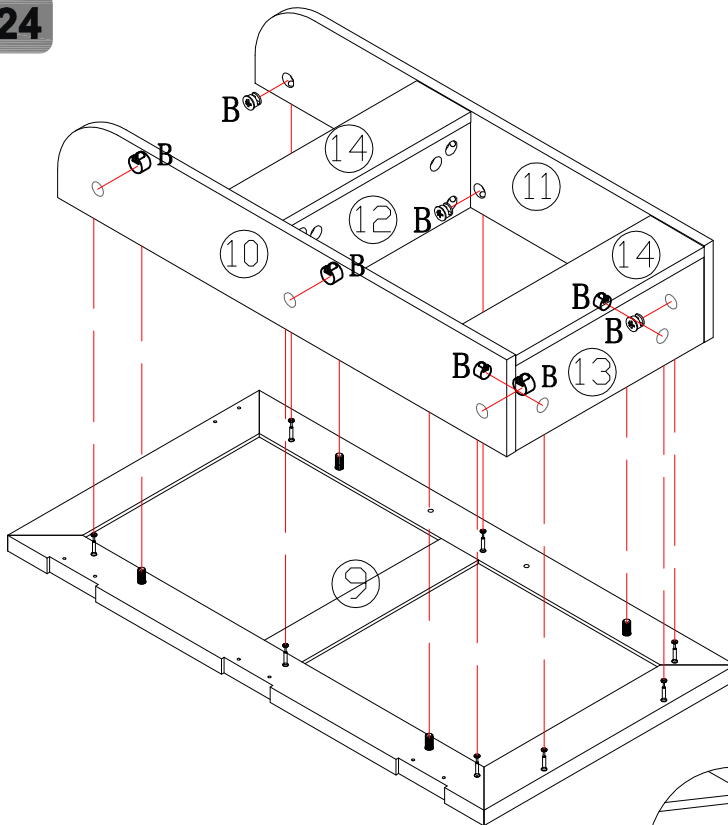
D x 8



# STEP#24



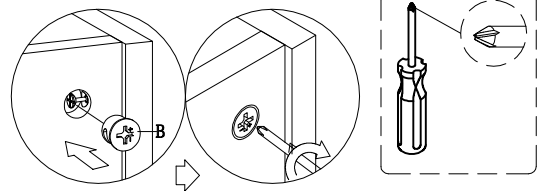
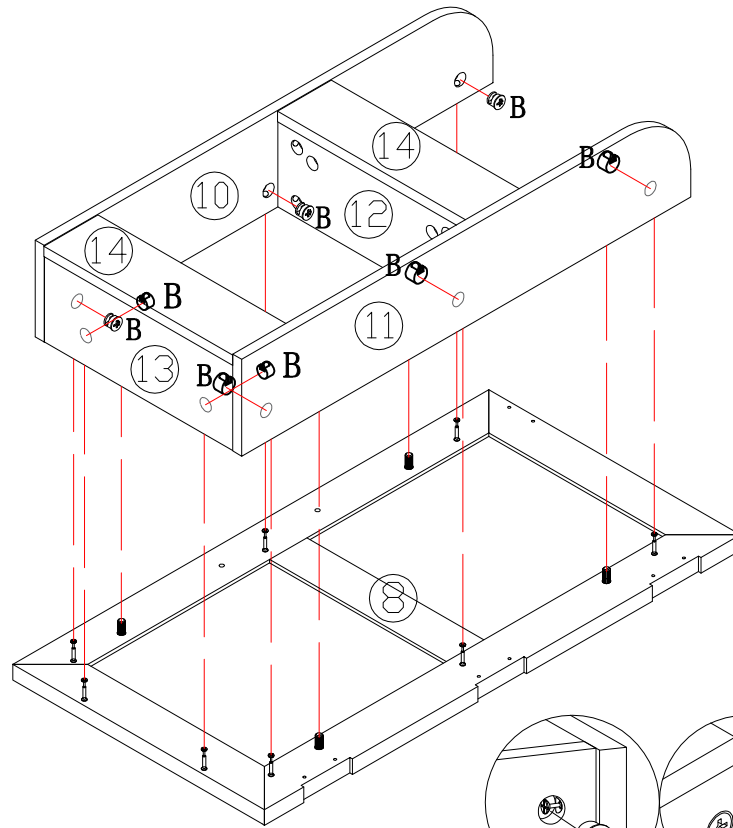
B x 8



# STEP#25



B x 8



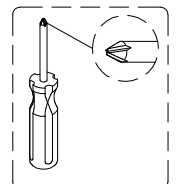
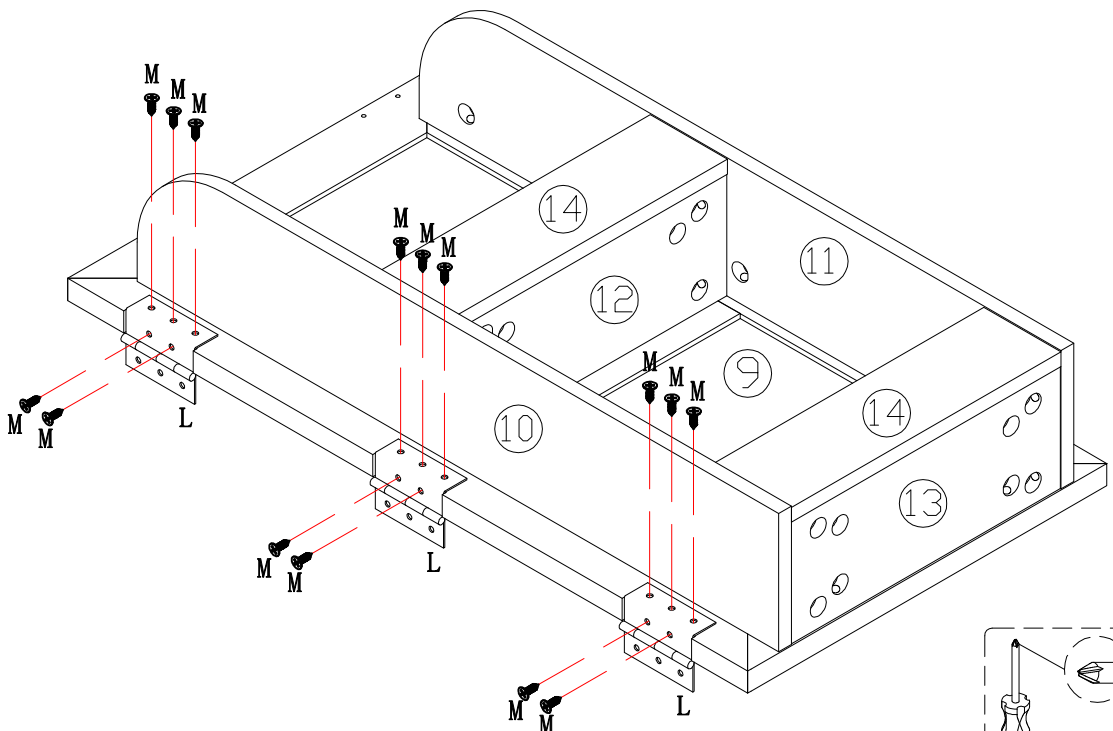
# STEP#26



M x 15



L x 3



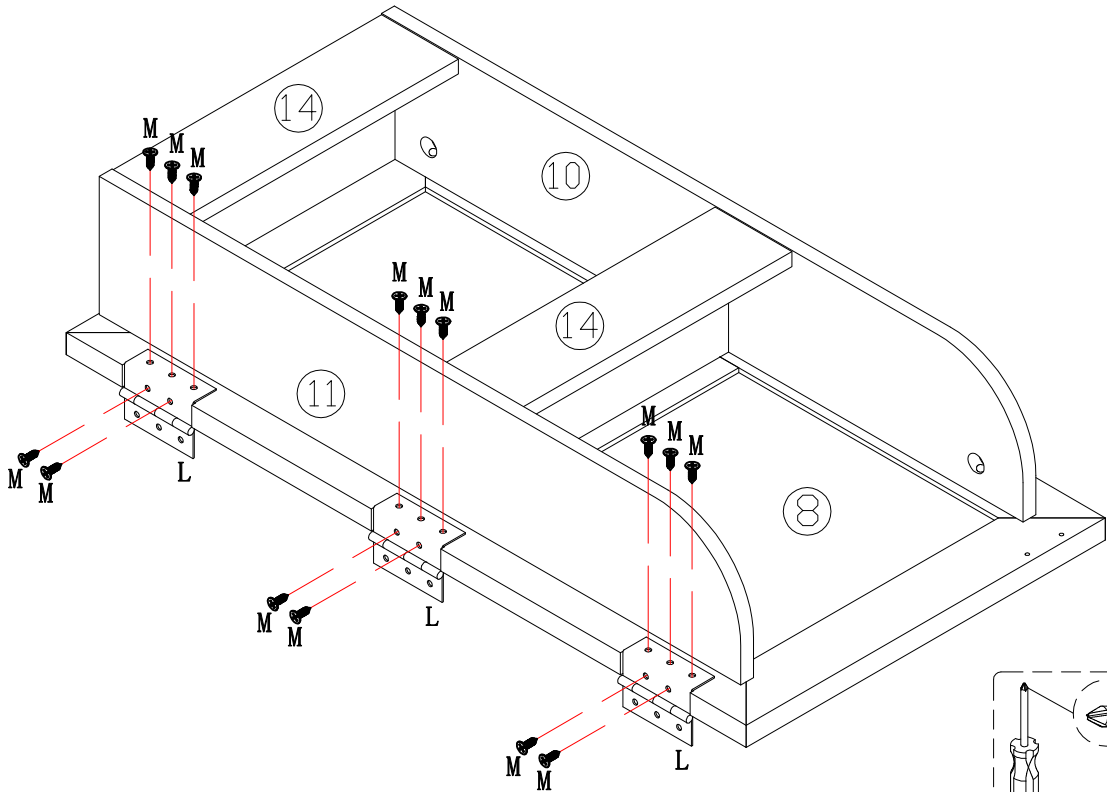
# STEP#27



M x 15



L x 3



# STEP#28



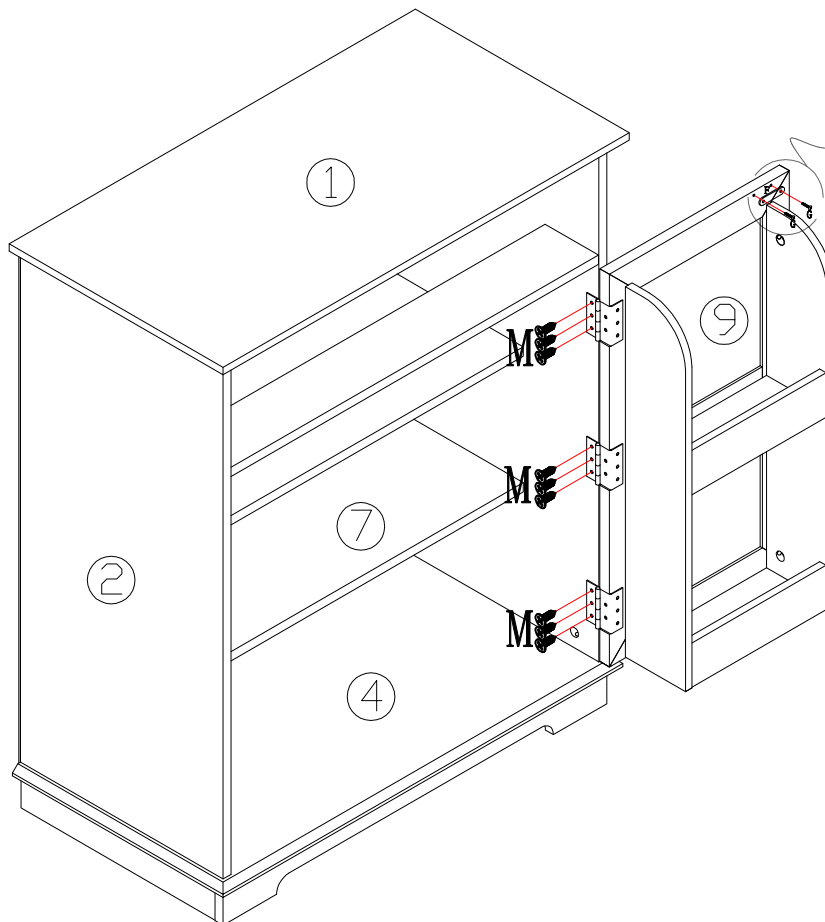
F x 1



G x 2



M x 9



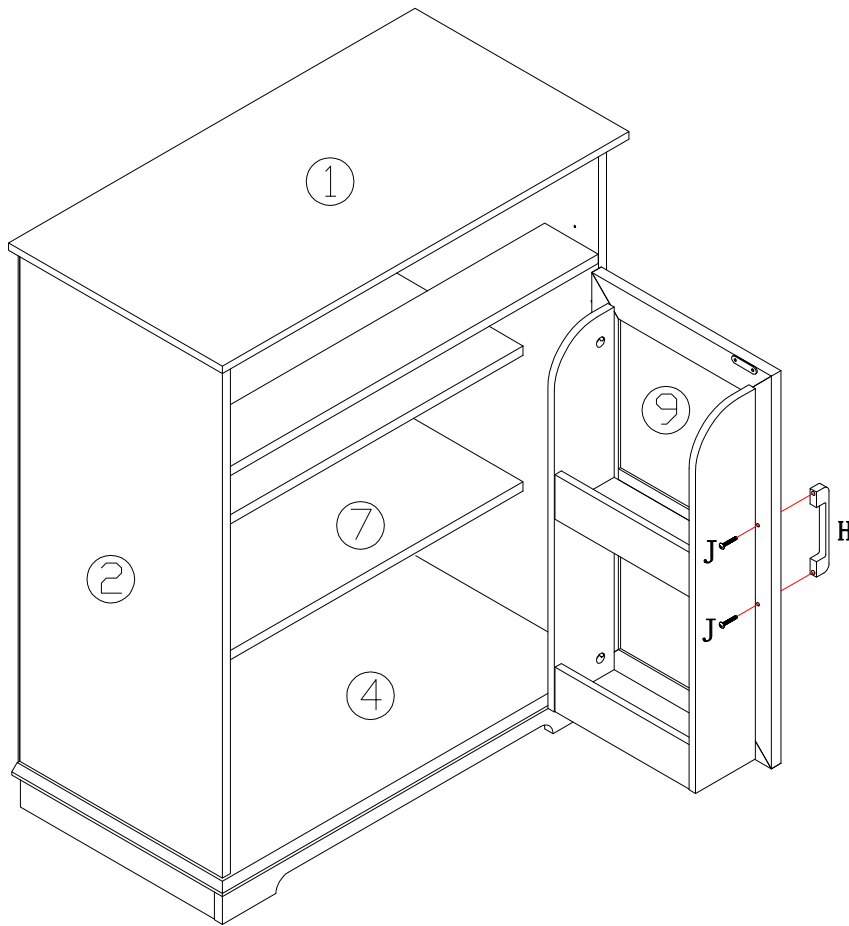
# STEP#29



J x 2



H x 1



# STEP#30



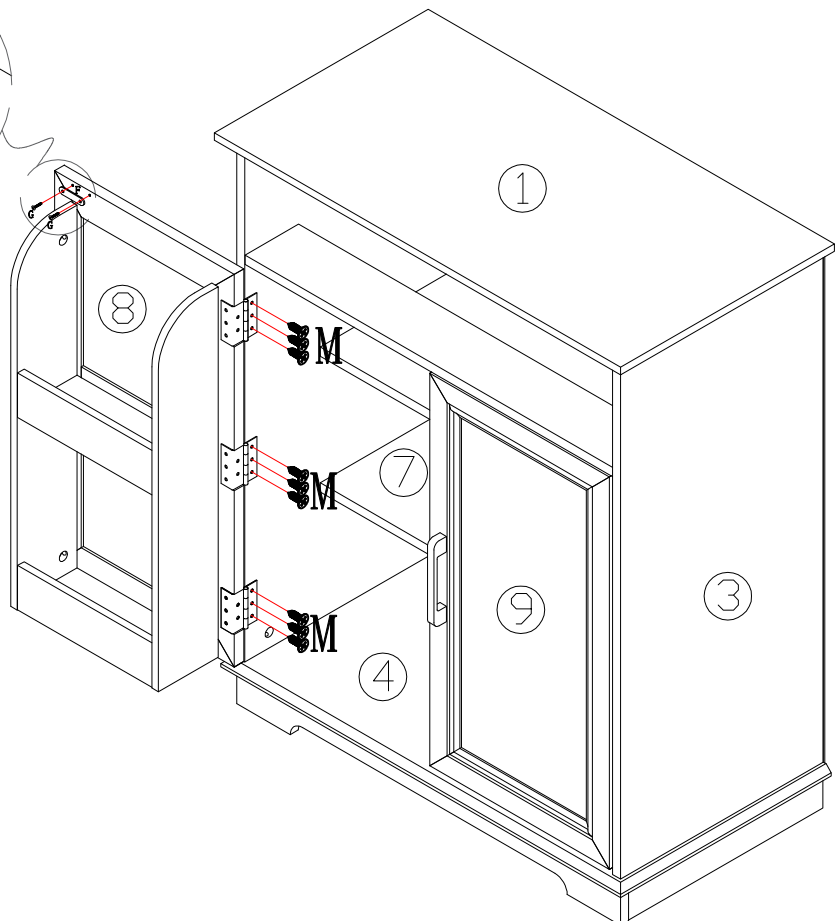
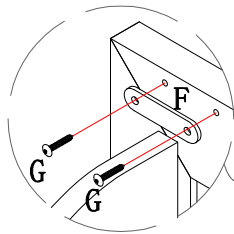
F x 1



G x 2



M x 9



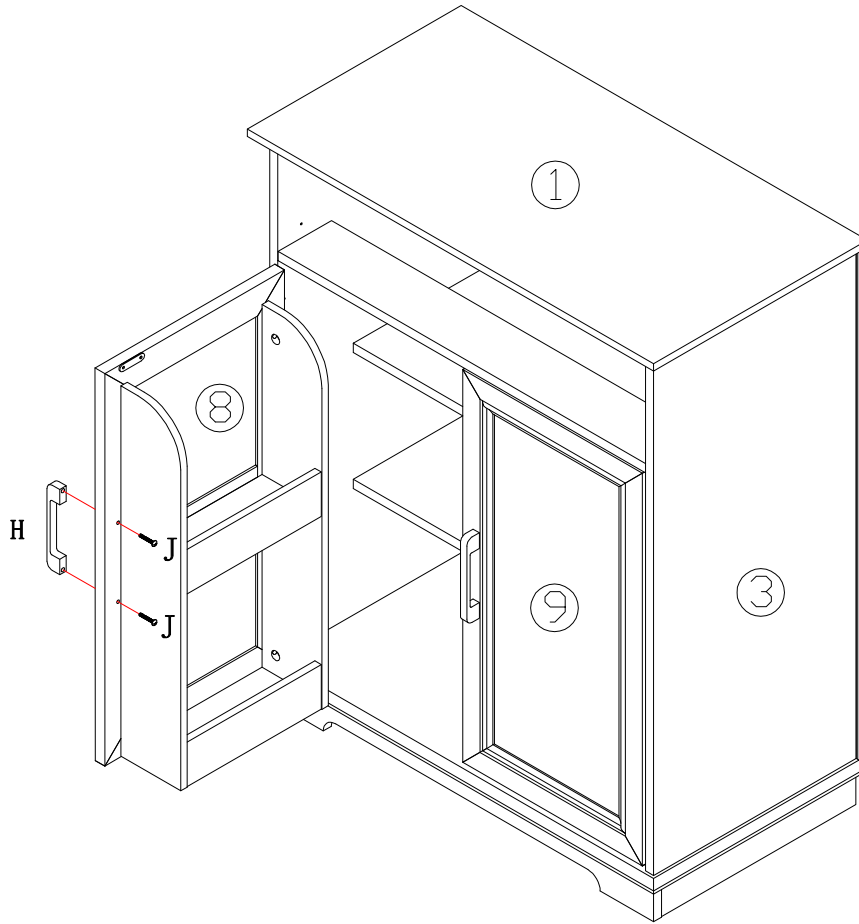
### STEP#31



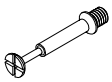
J x 2



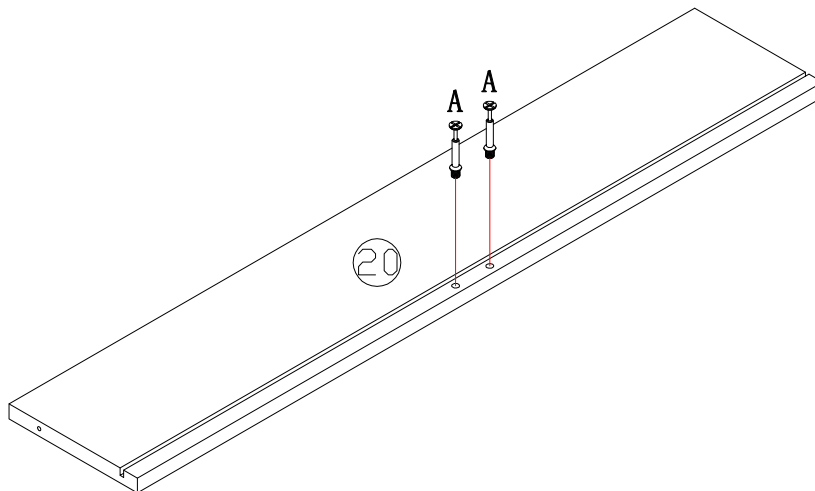
H x 1



### STEP#32



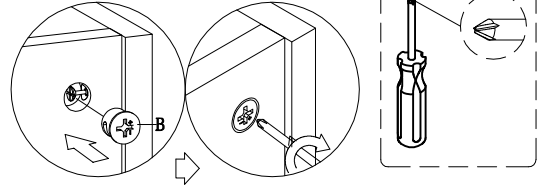
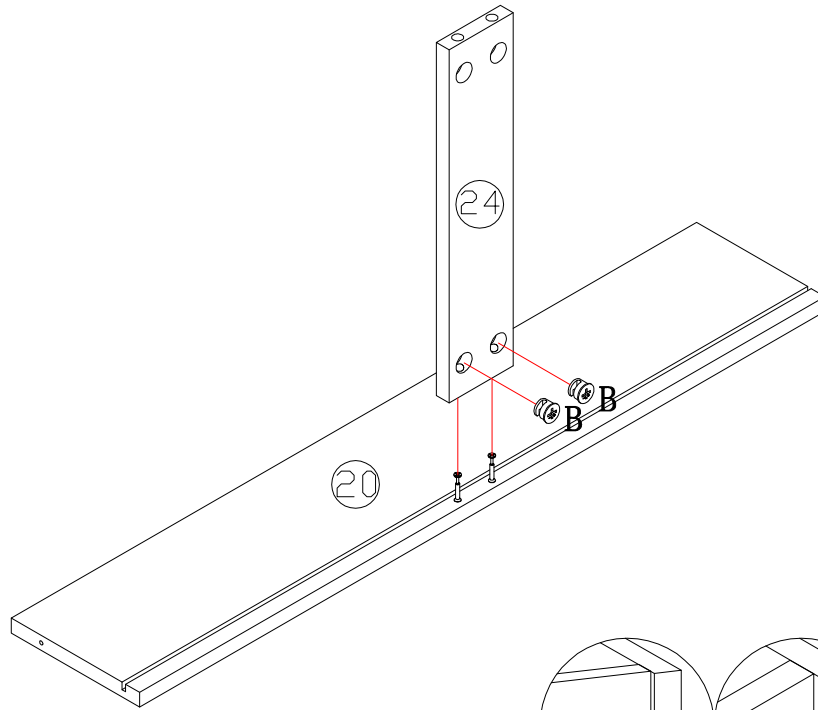
A x 2



### STEP#33



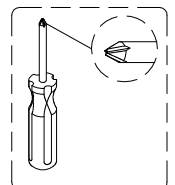
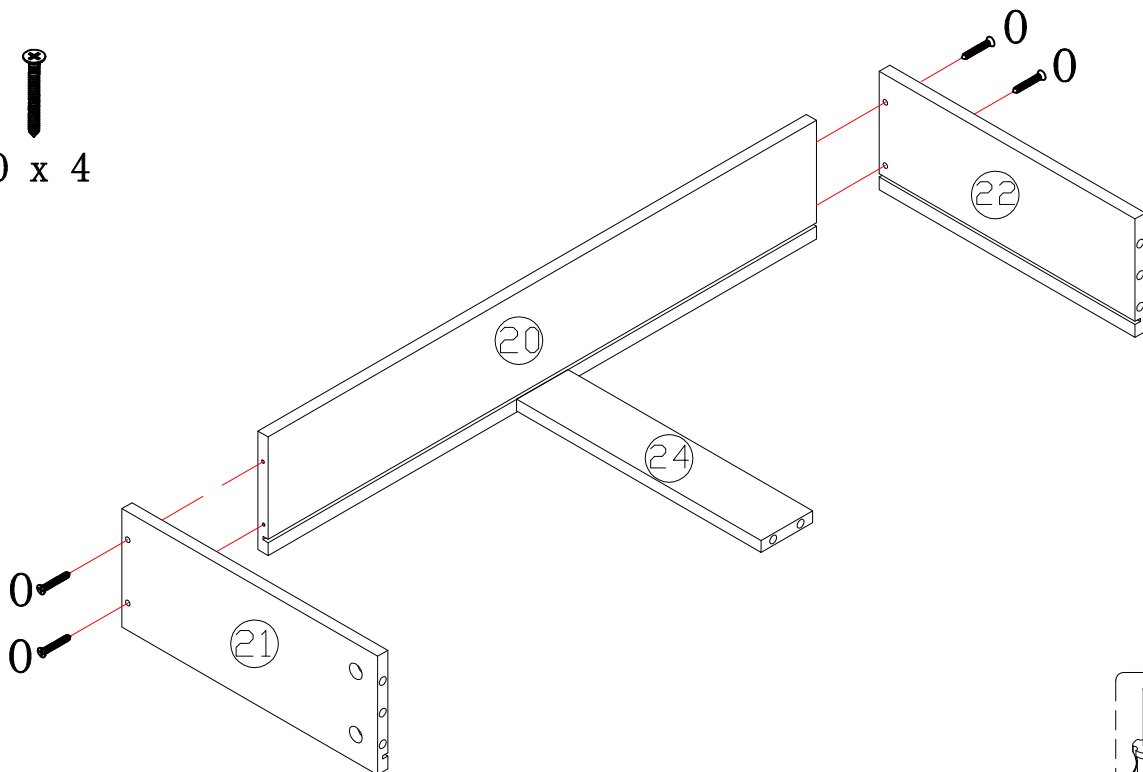
B x 2



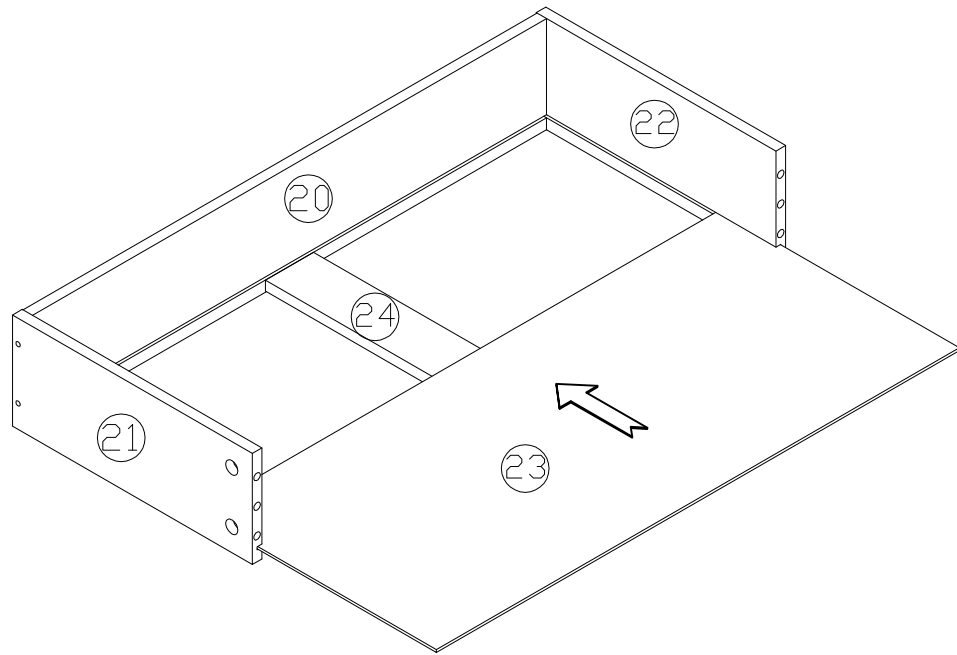
### STEP#34



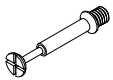
0 x 4



# STEP#35



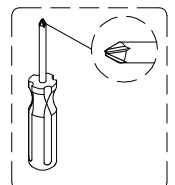
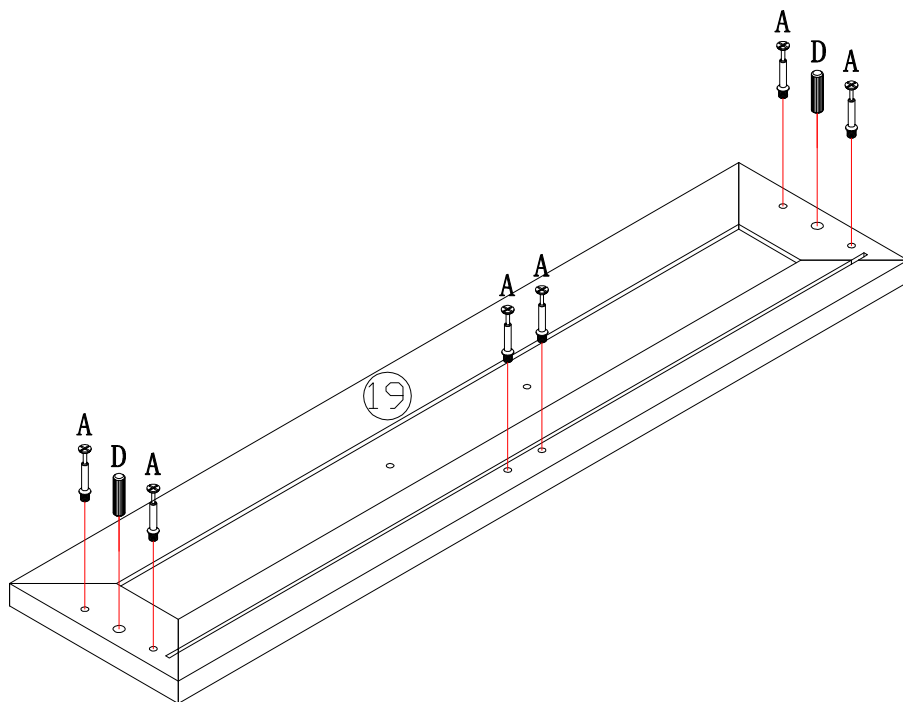
# STEP#36



A x 6



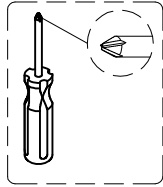
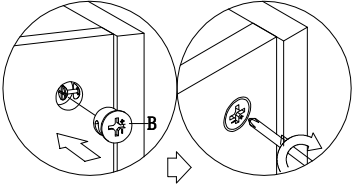
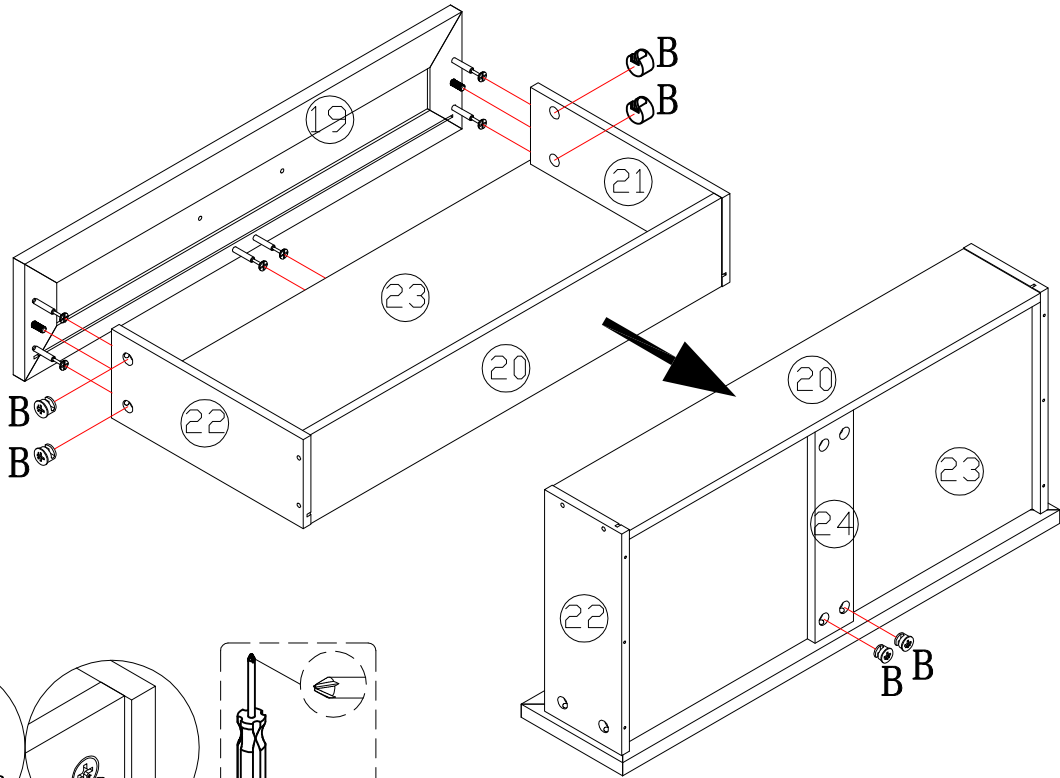
D x 2



### STEP#37



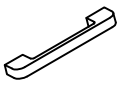
B x 6



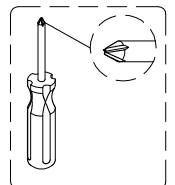
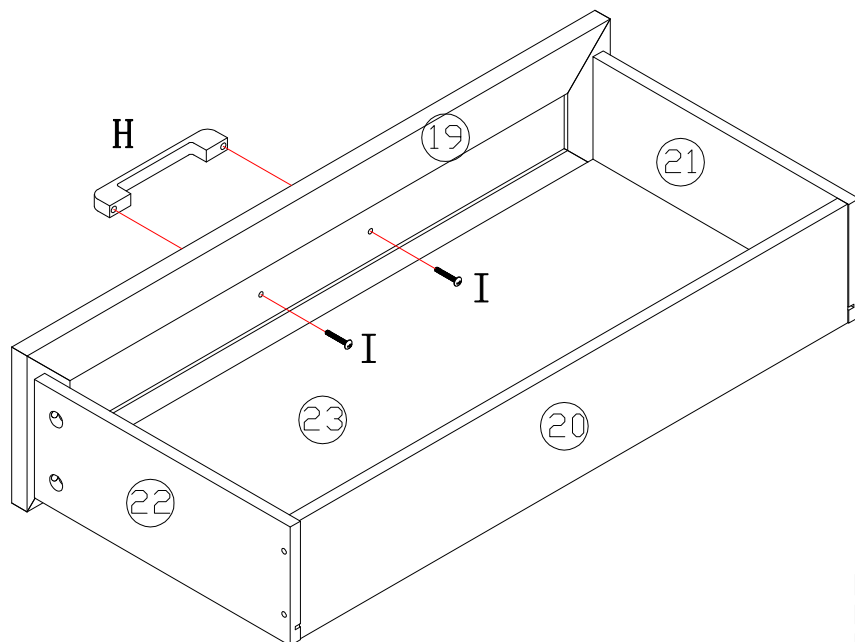
### STEP#38



I x 2



H x 1



# STEP#39



N x 6

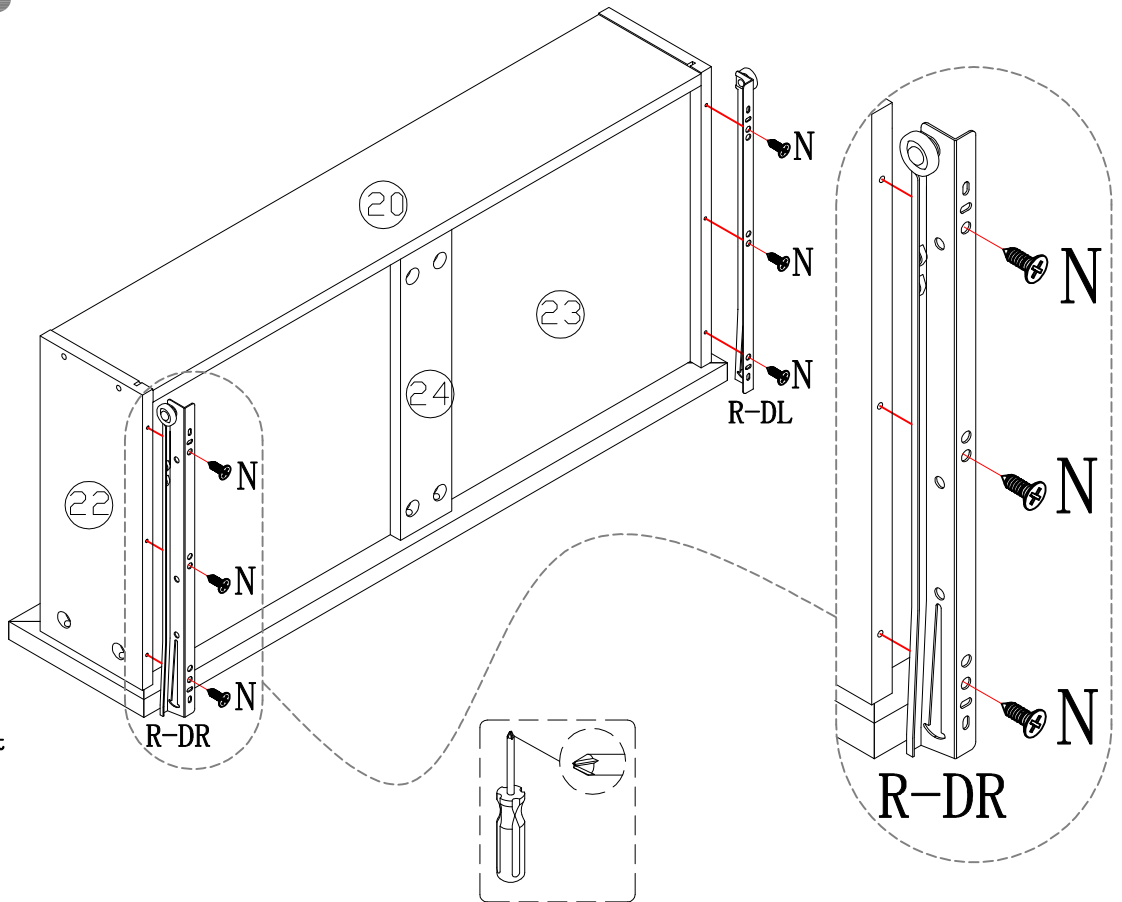


R-DL x 1pc

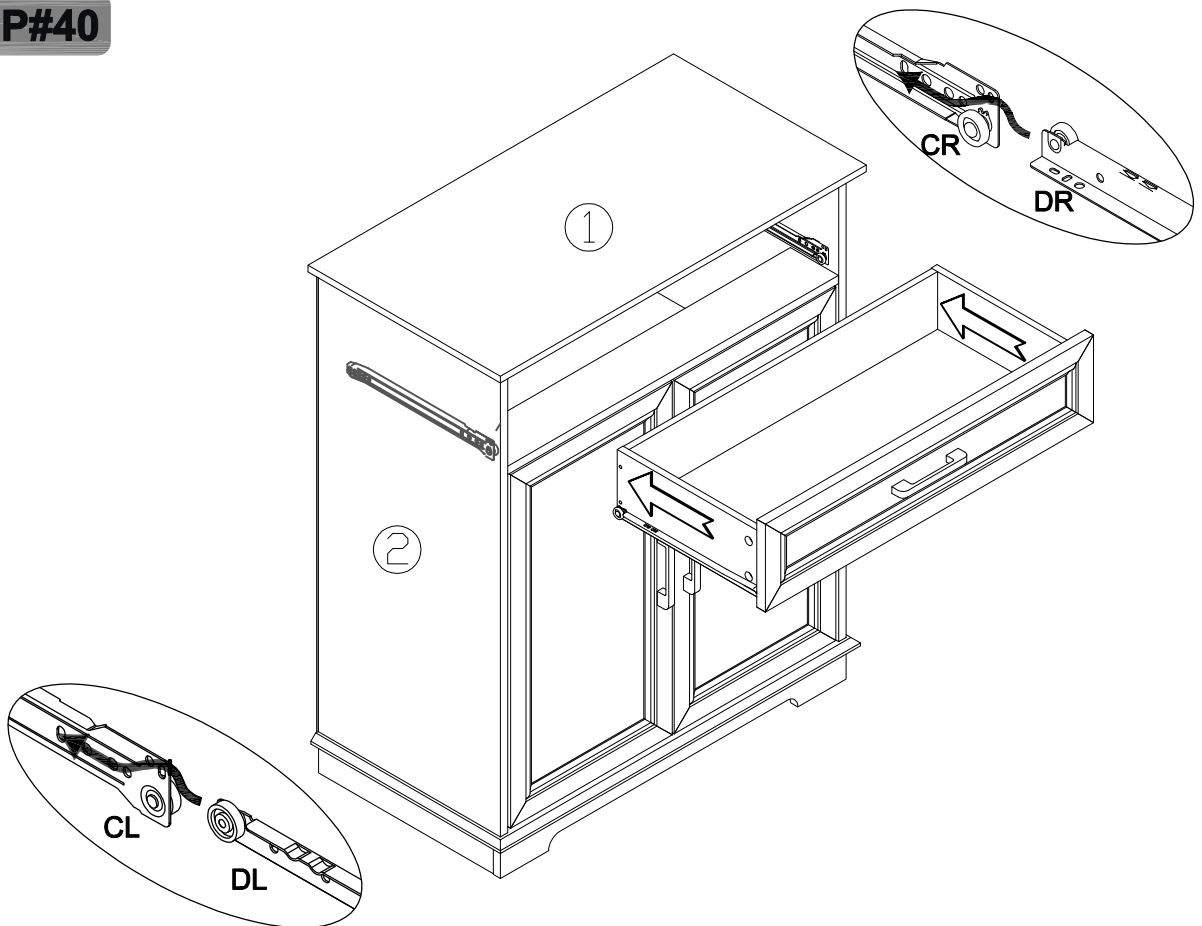


R-DR x 1pc

Front  
↓



# STEP#40



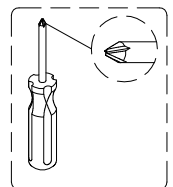
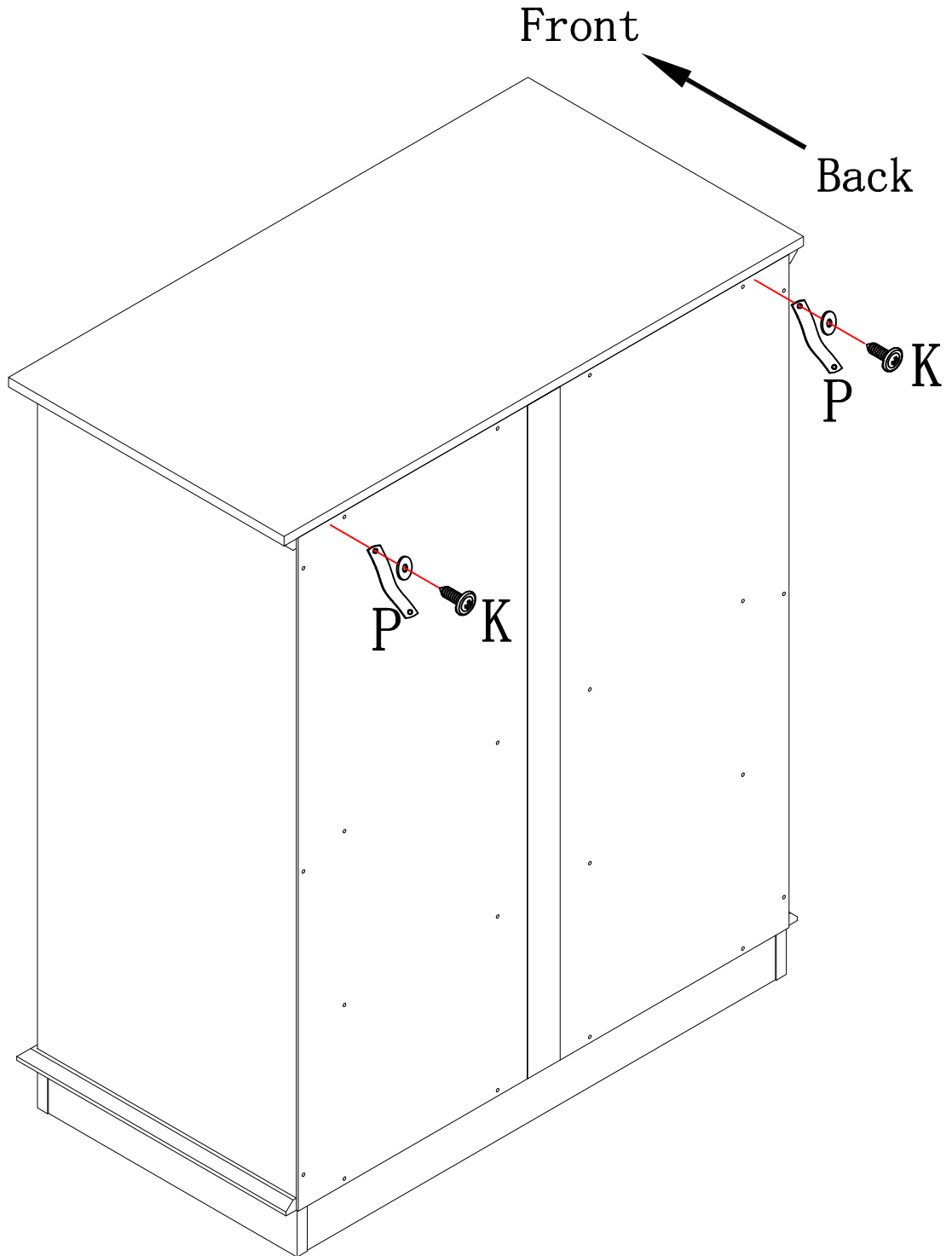
**STEP#41**



K x 2



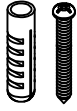
P x 2



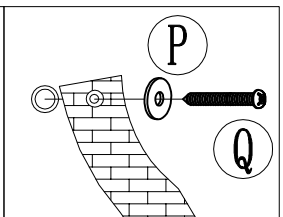
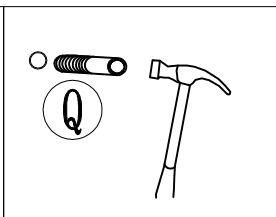
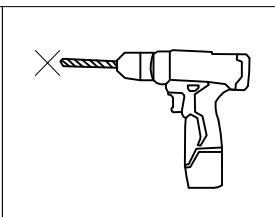
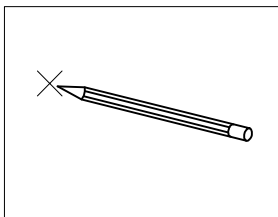
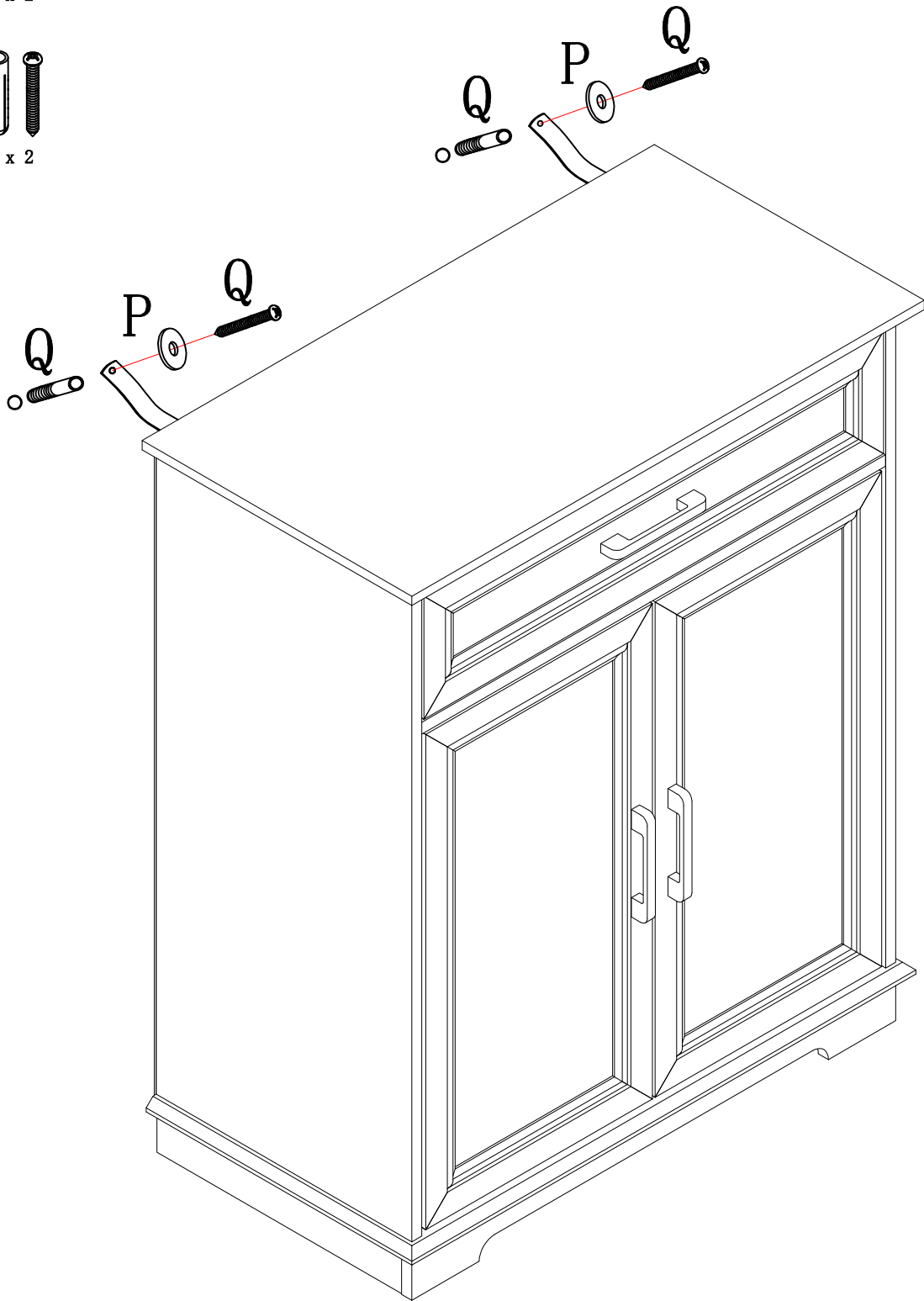
# STEP#42



P x 2



Q x 2



# WARRANTY CARD

## Your warranty includes

- **30 Days Money Back Guaranty**

Within the first 30 days of your purchase, you are allowed to return your product for a full refund.

- **30 Days to 3 Months(6 Months)**

We will replace the defective unit due to manufacturer fault with a new one. (You will receive extra 3 Months warranty if you register on our website.)

- **3 Months to 24 Months**

Within 24 Months, we will provide timely and effective online after-sales service after your purchase.

## Return product details

To get your returns processed as quickly as possible, please fill this form and include it in your return package.

Purchase Name	
Order Number	
Date of Purchase	
Your Email Address	
Where did you buy it	