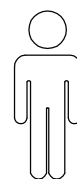
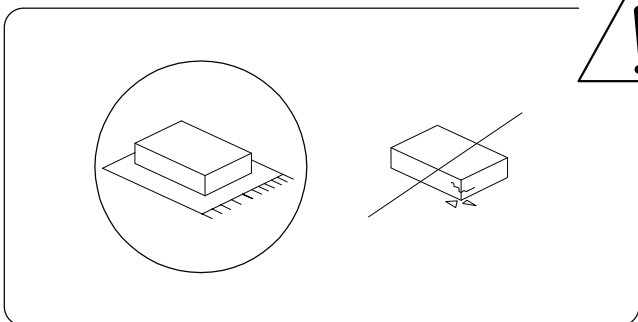
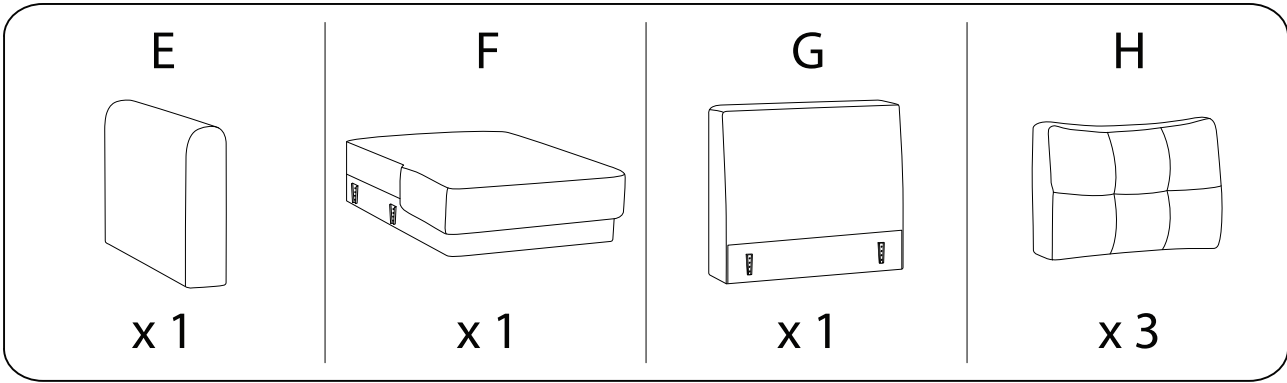
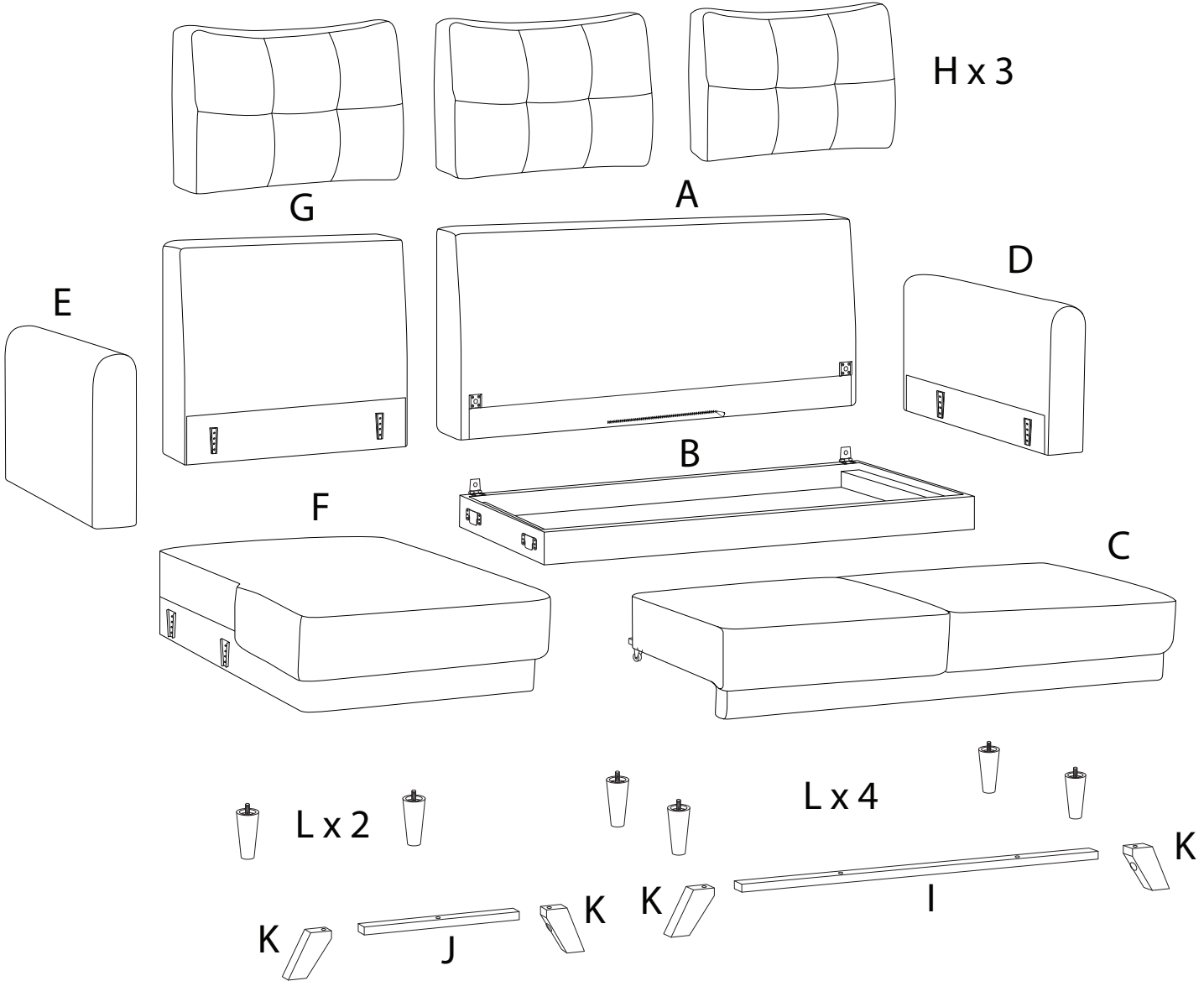
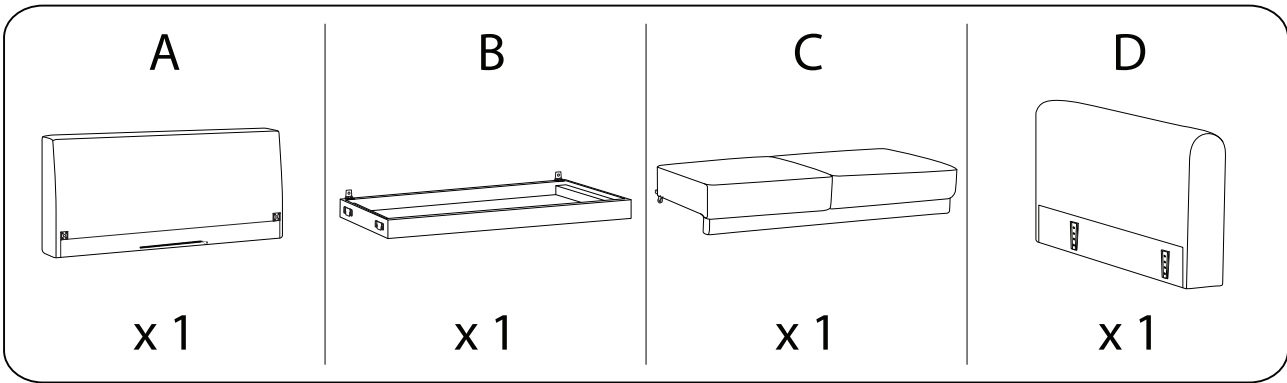


20'



2

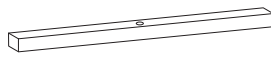


I



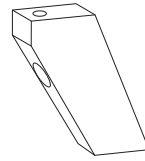
x 1

J



x 1

K



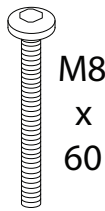
x 4

L



x 6

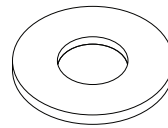
M



M8
x
60

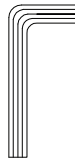
x 7

N



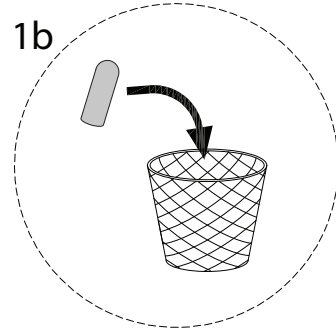
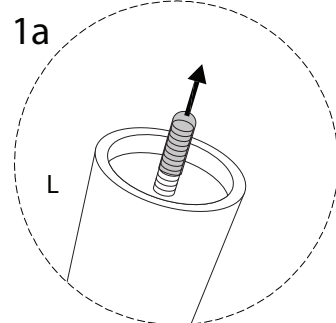
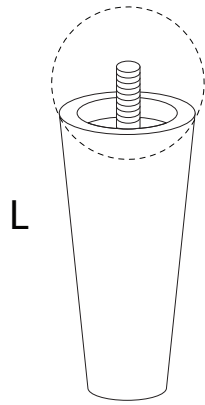
x 7

O

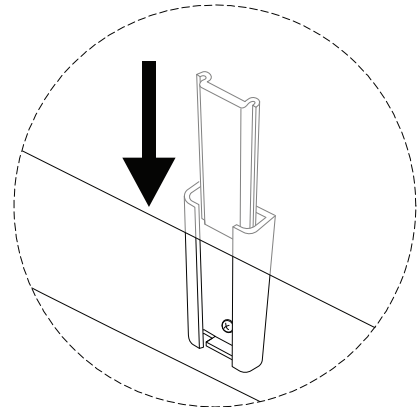
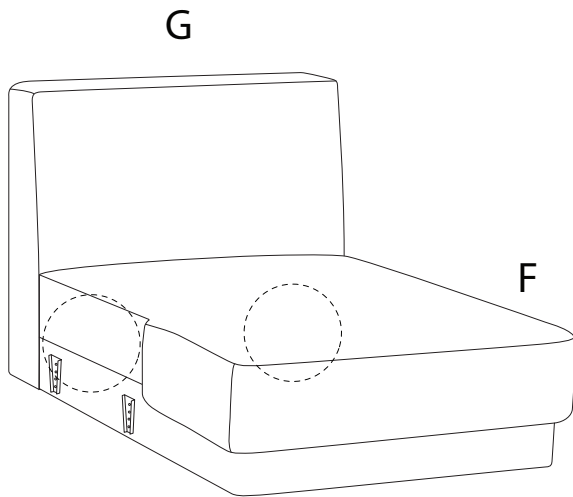
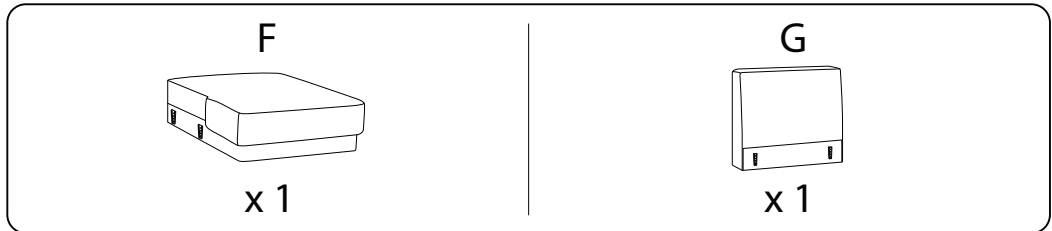


x 1

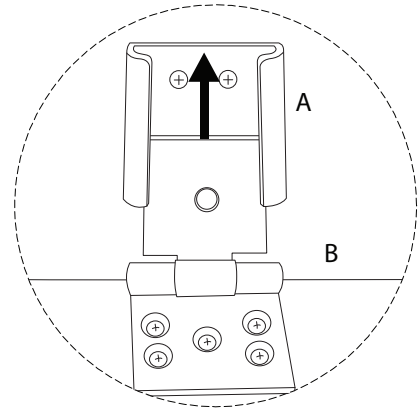
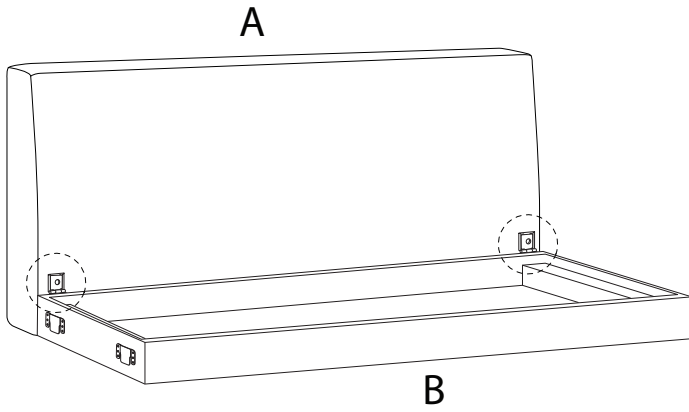
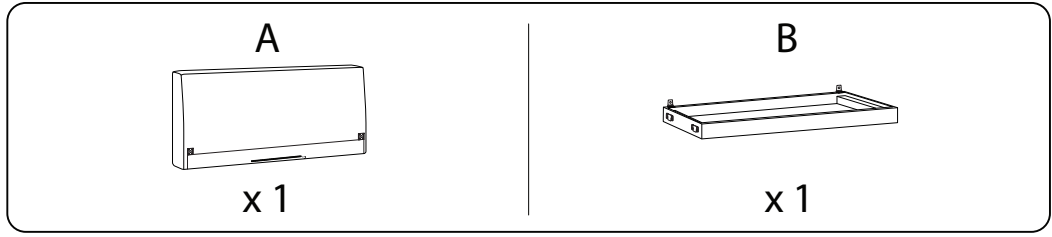
!



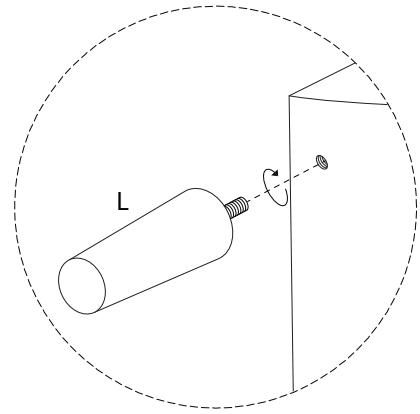
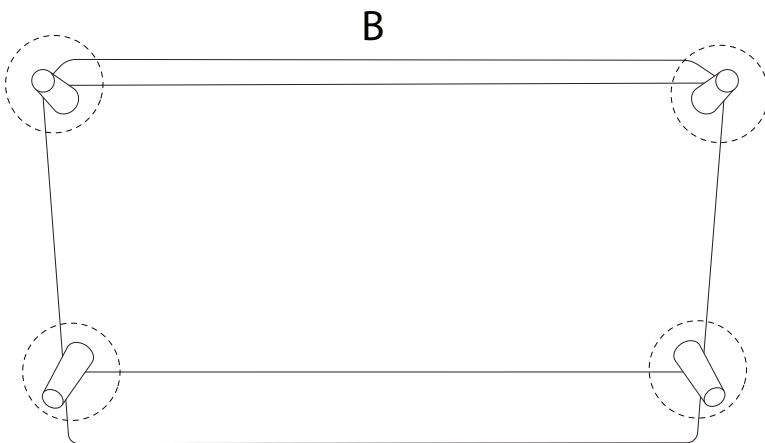
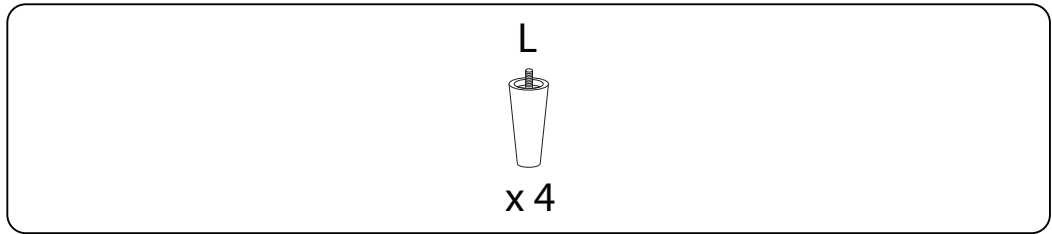
1



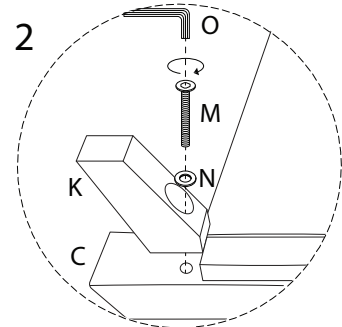
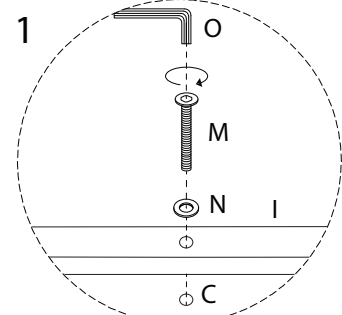
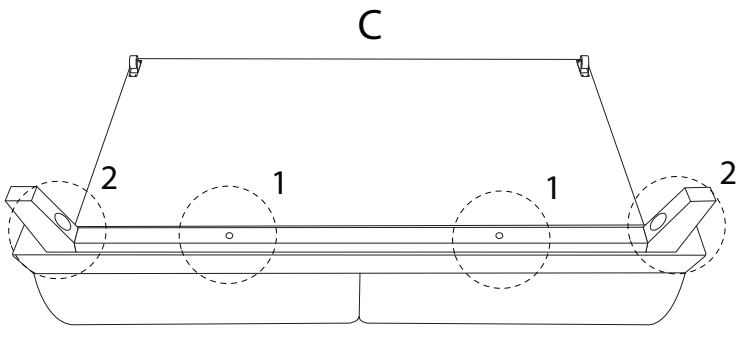
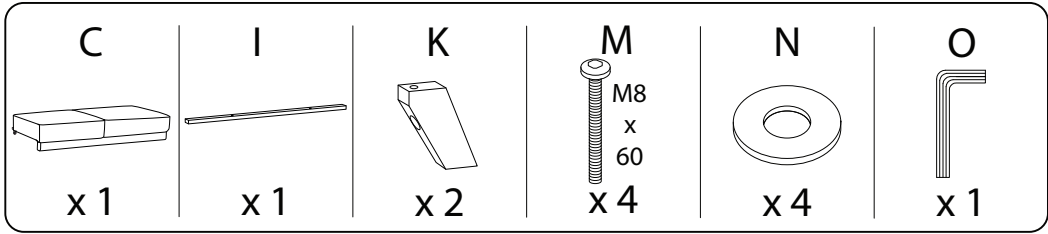
2



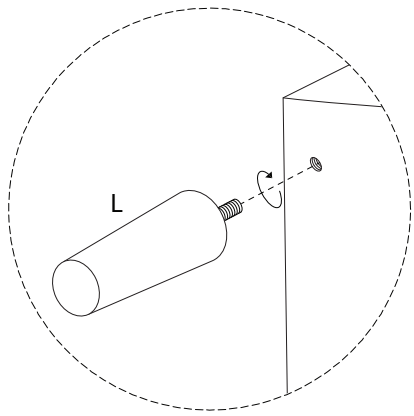
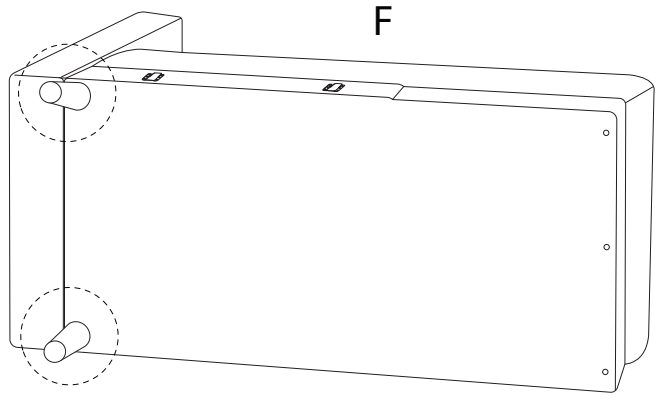
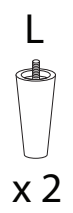
3



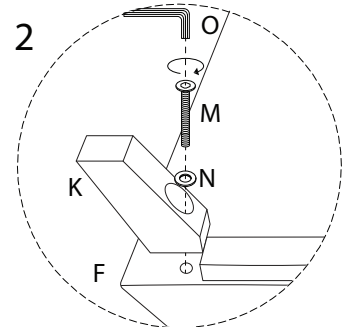
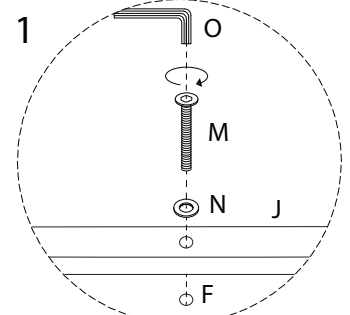
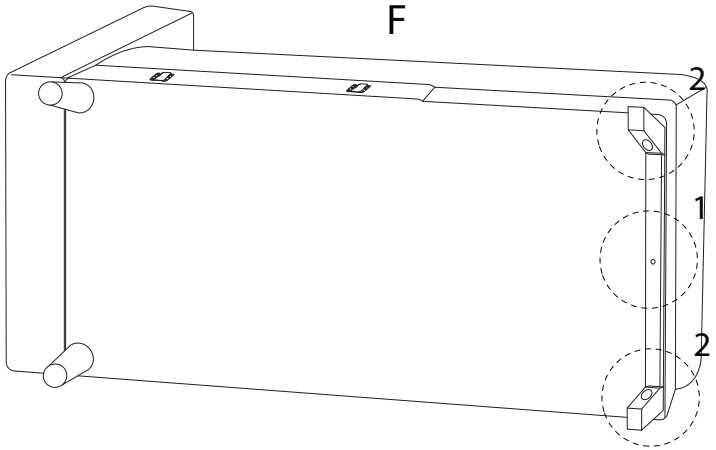
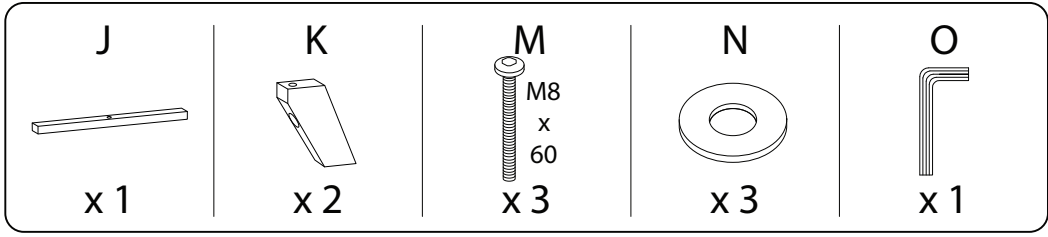
4



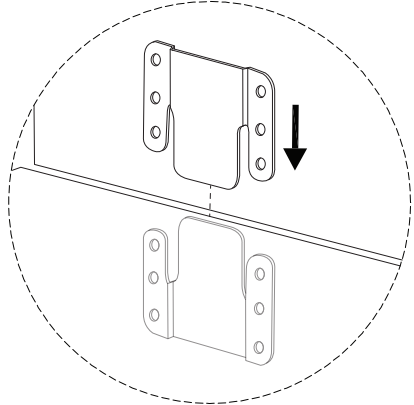
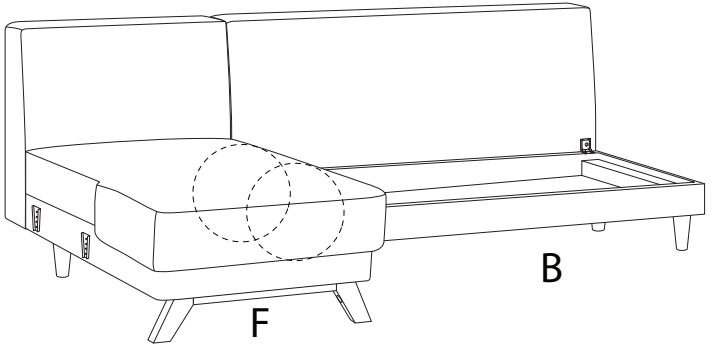
5



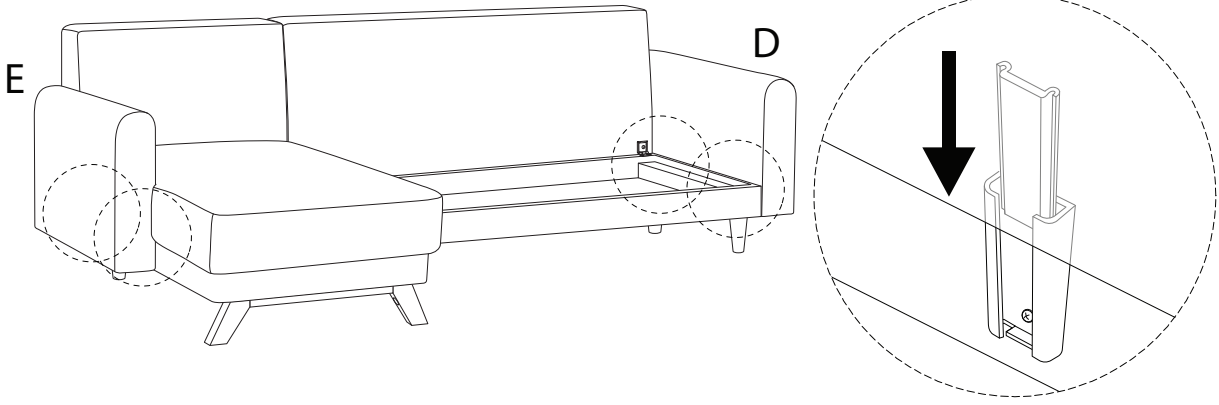
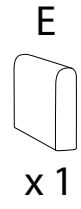
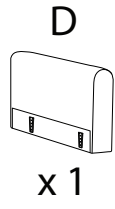
6



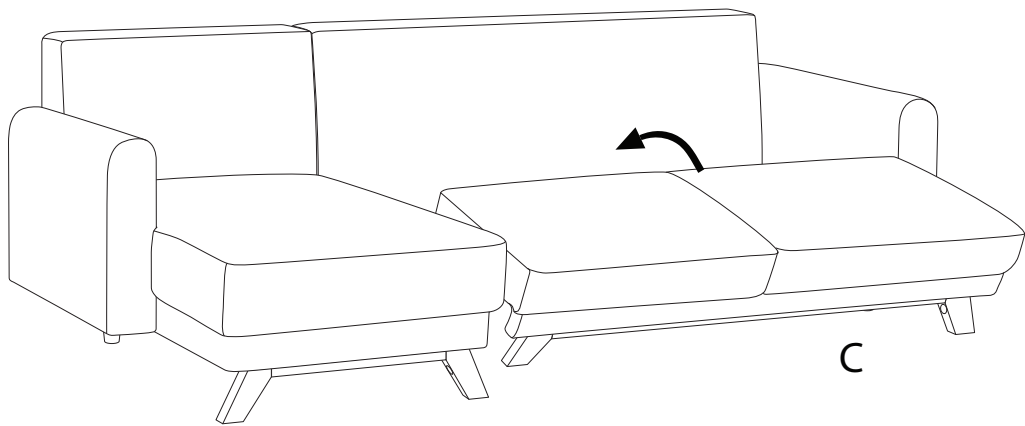
7



8

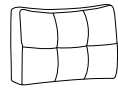


9



10

H

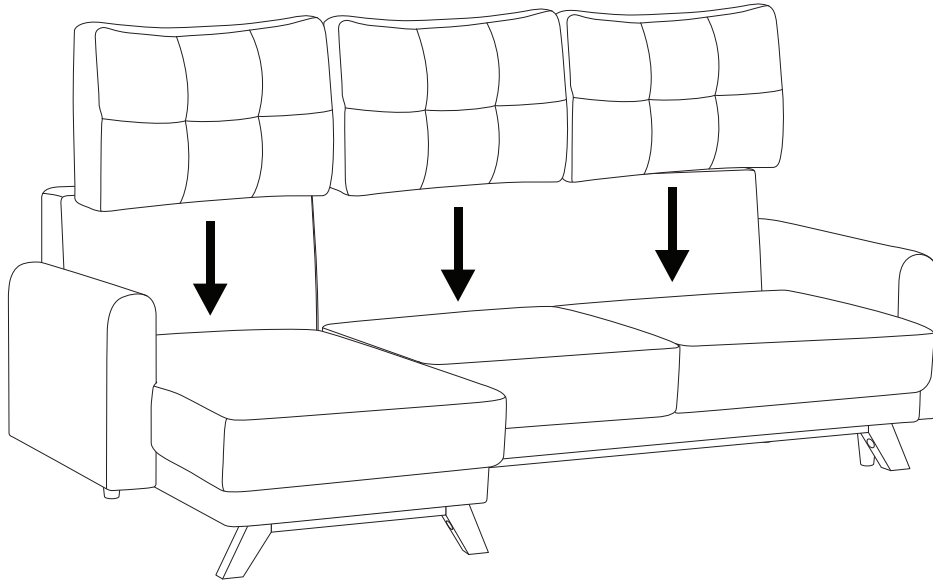


x 3

H

H

H



!

