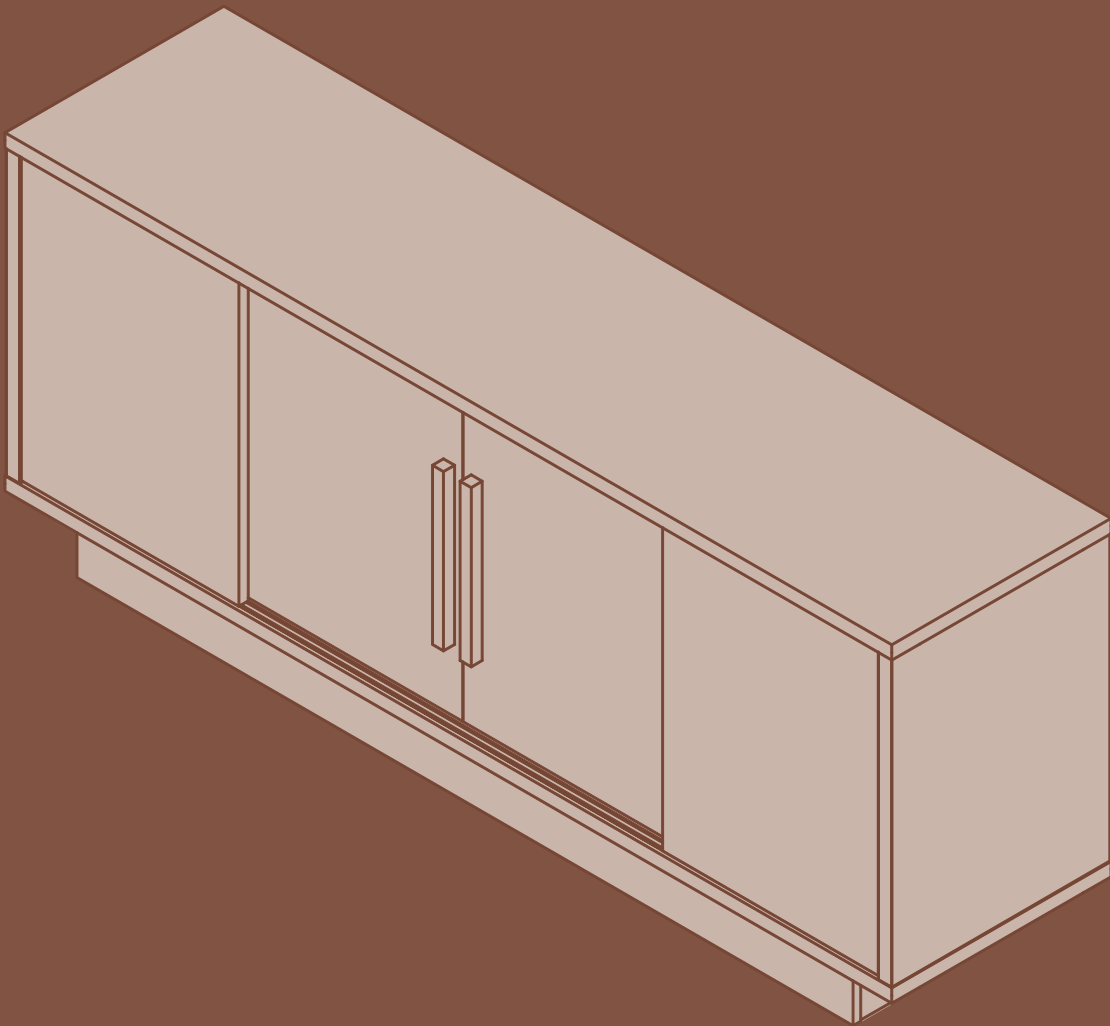
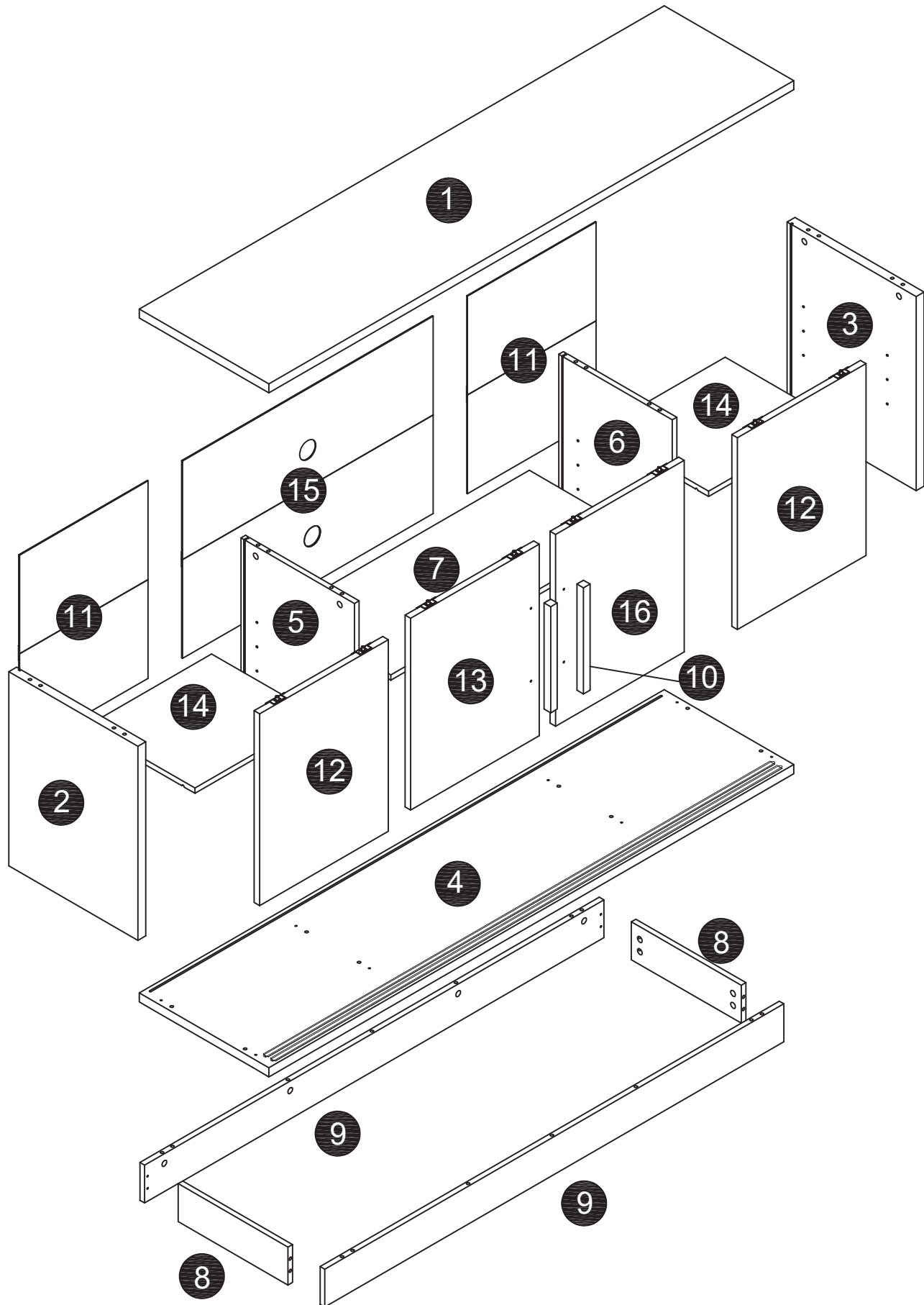


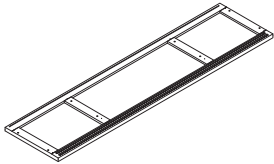
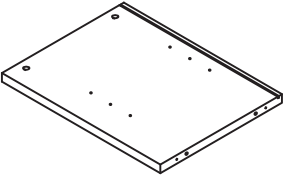
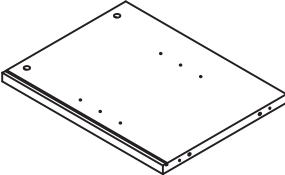
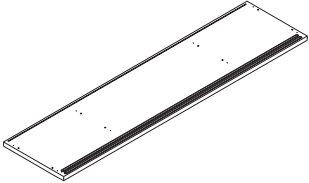
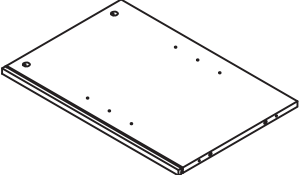
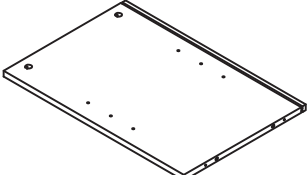
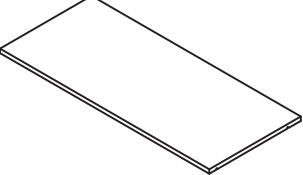
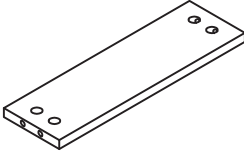


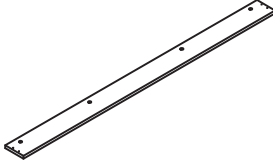
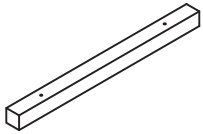
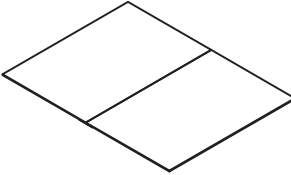
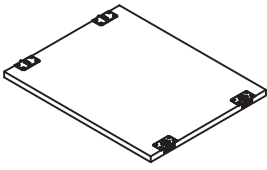
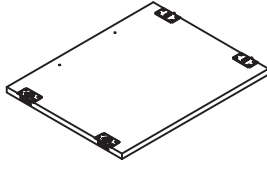
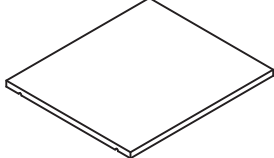
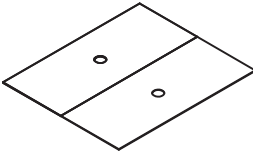
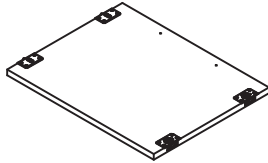
ModernMate






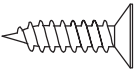


ASSEMBLY INSTRUCTION


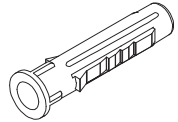








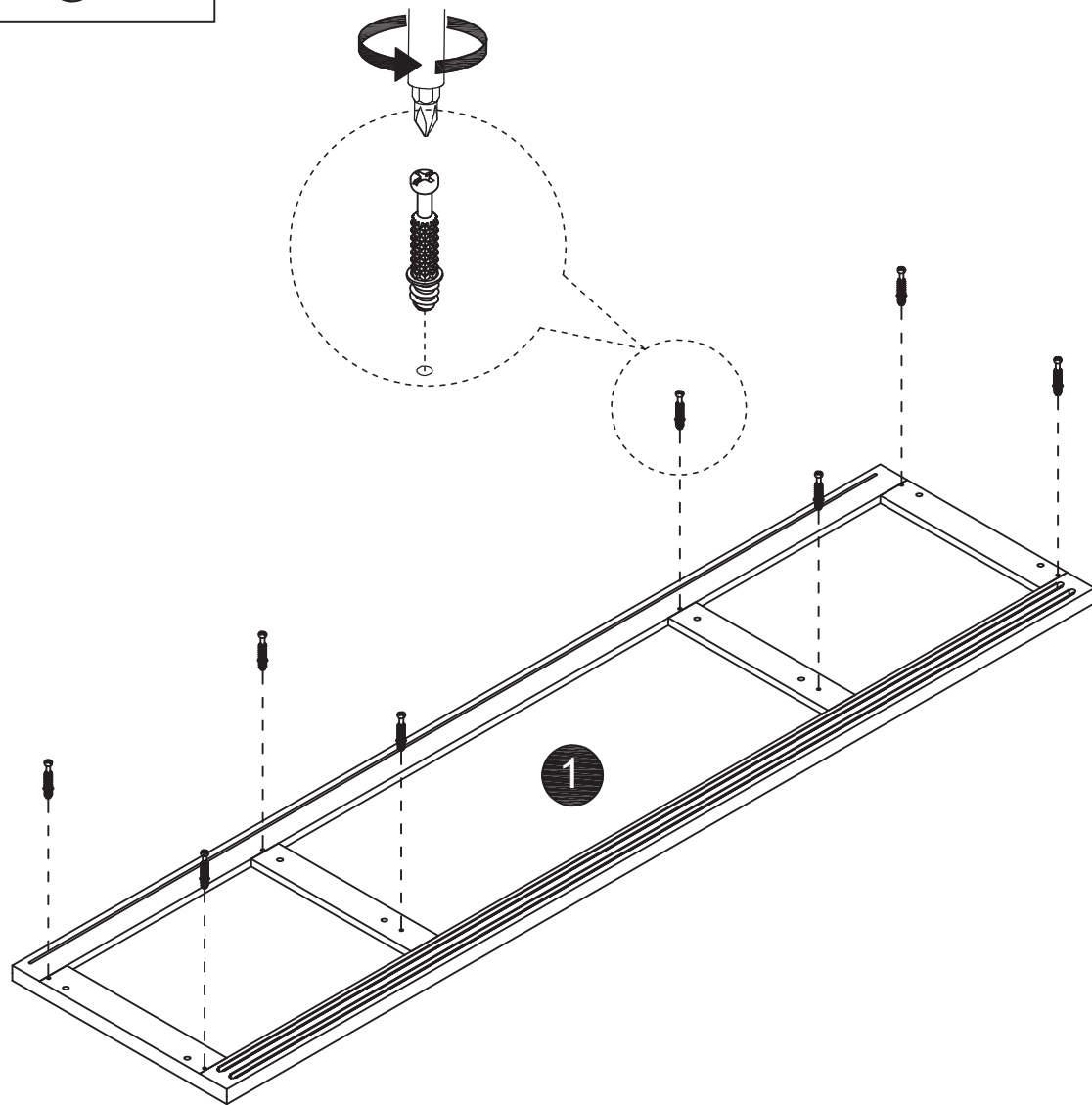
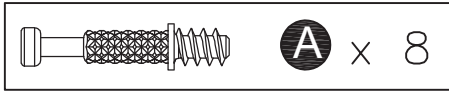
ID	Parts	QTY
1		1
2		1
3		1
4		1
5		1
6		1
7		1
8		2

ID	Parts	QTY
9		2
10		2
11		2
12		2
13		1
14		2
15		1
16		1

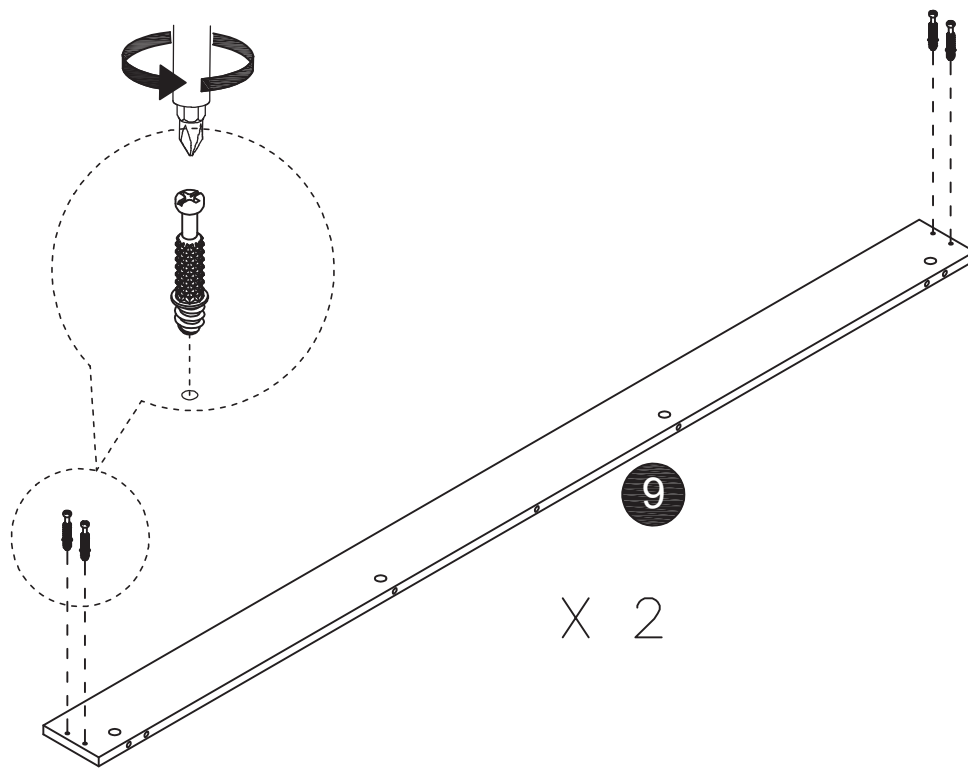
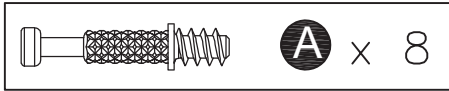
ID	Parts	QTY
A	cam bolt M6*34 mm 	24+2
B	Cam lock Ø15*11.5mm 	24+2
C	ø8*30 mm 	22+2
D	ø6*50 mm 	8+2
E	plastic wedge 	32+2
F	flat head screw (Ø3*15mm) 	32+2
G	Shelf Support Pin 	12+2
H	Round head screw (Ø4*32mm) 	4+1

ID	Parts	QTY
I	M4-Hex key 	1
J	wall anchor Ø10.5*40mm 	2
K	washer Ø16mm 	4
L	wall strap 	2
M	Round head screw (Ø3*19mm) 	2
N	Wall screw (Ø4*38mm) 	2

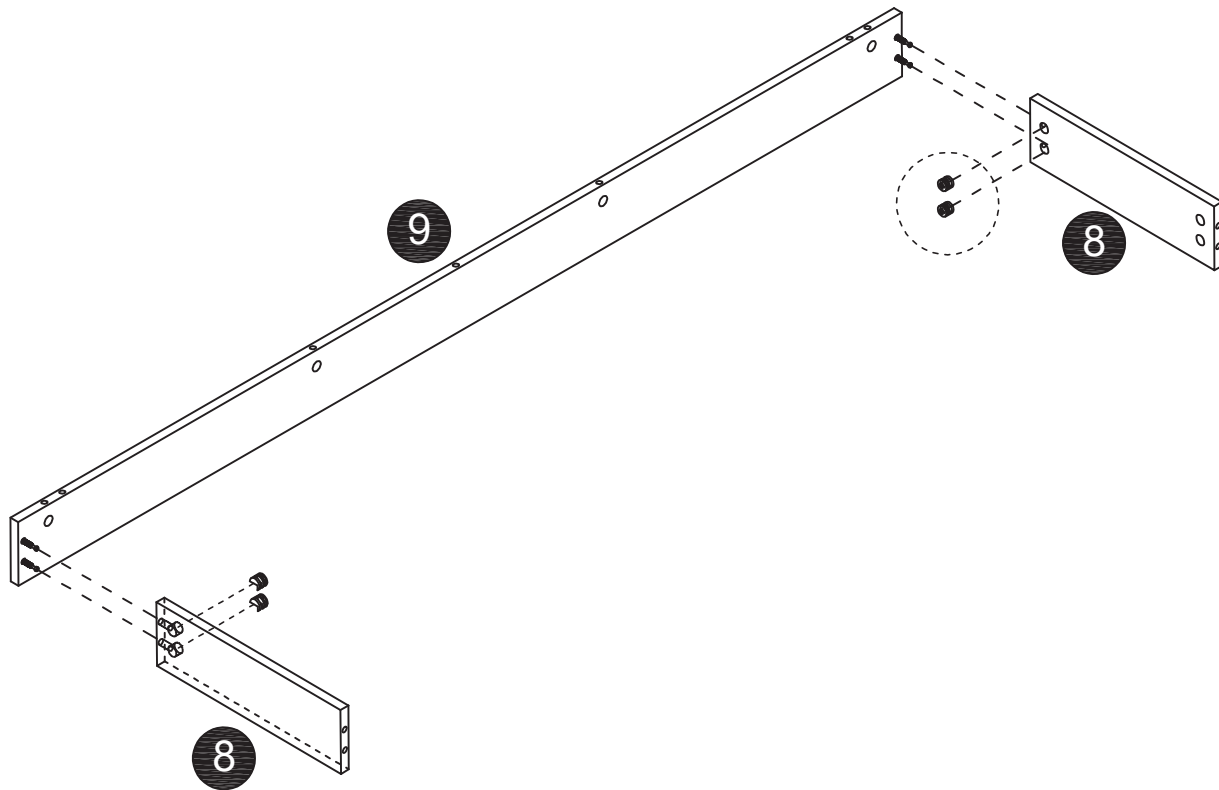
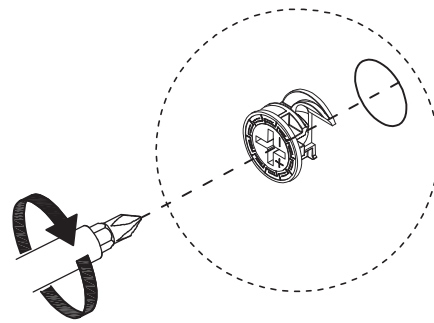
STEP 1



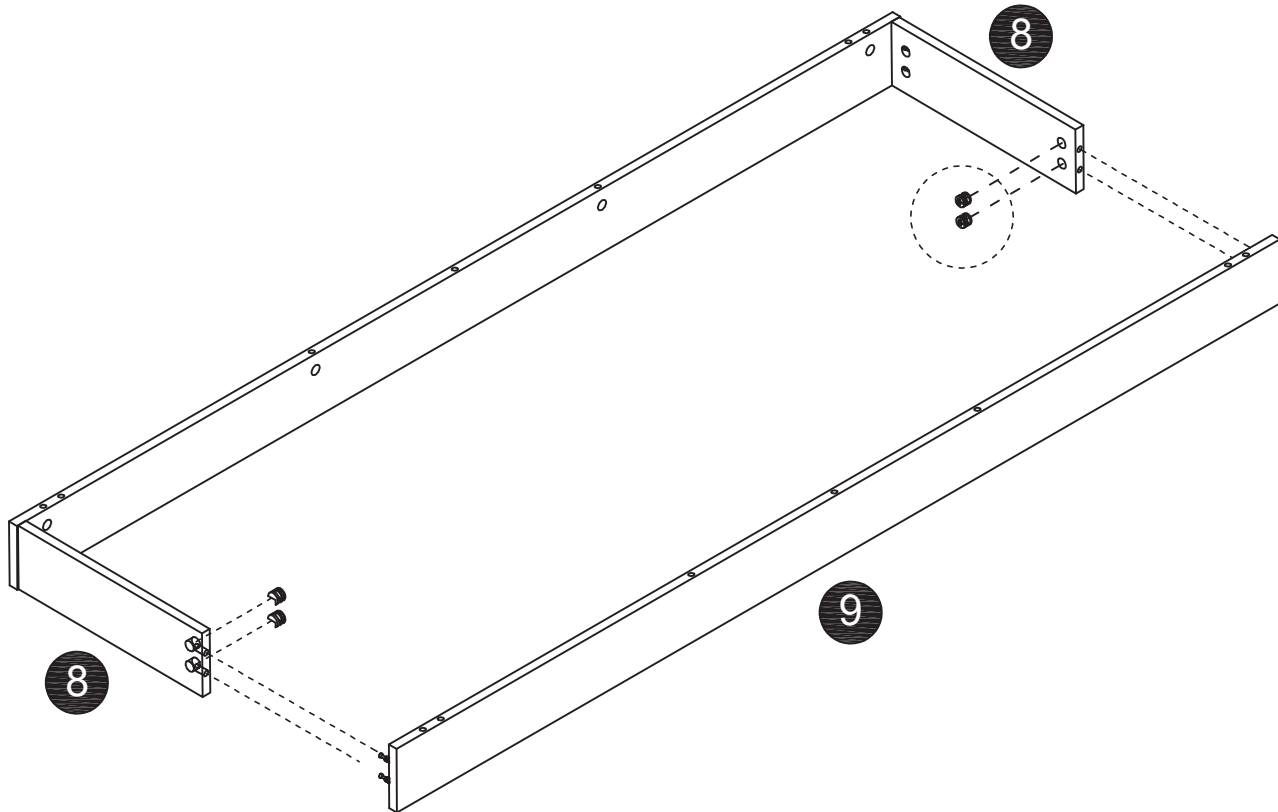
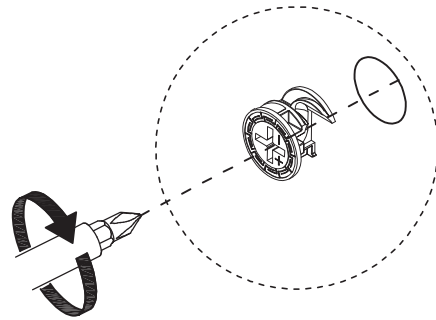
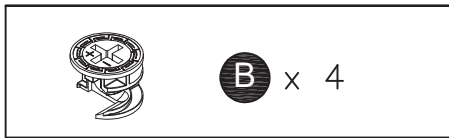
STEP 2



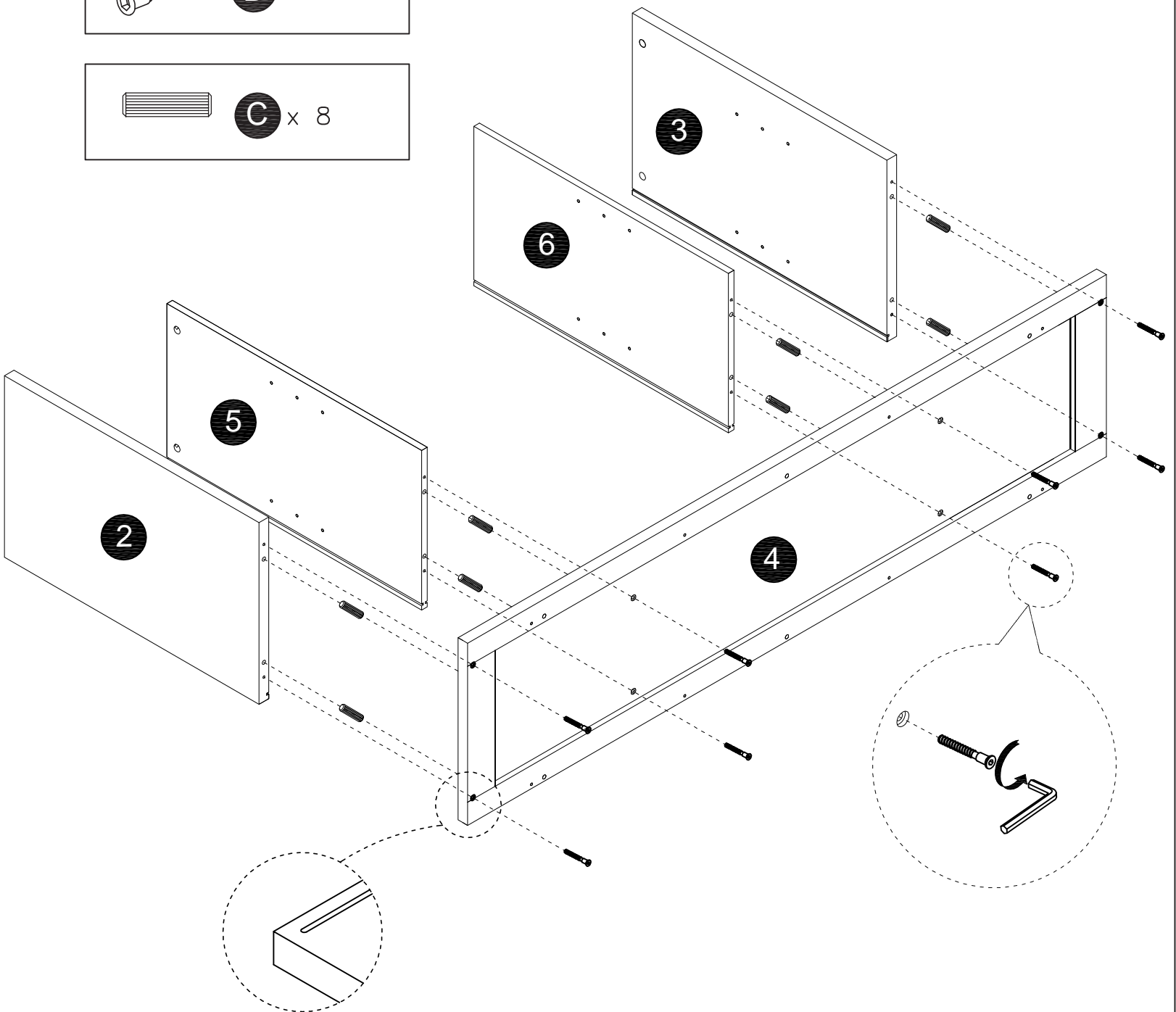
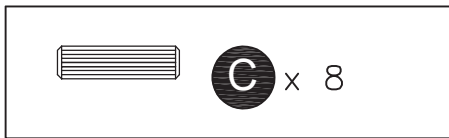
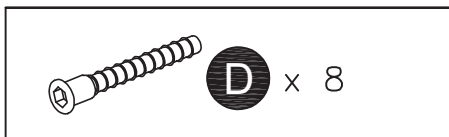
STEP 3



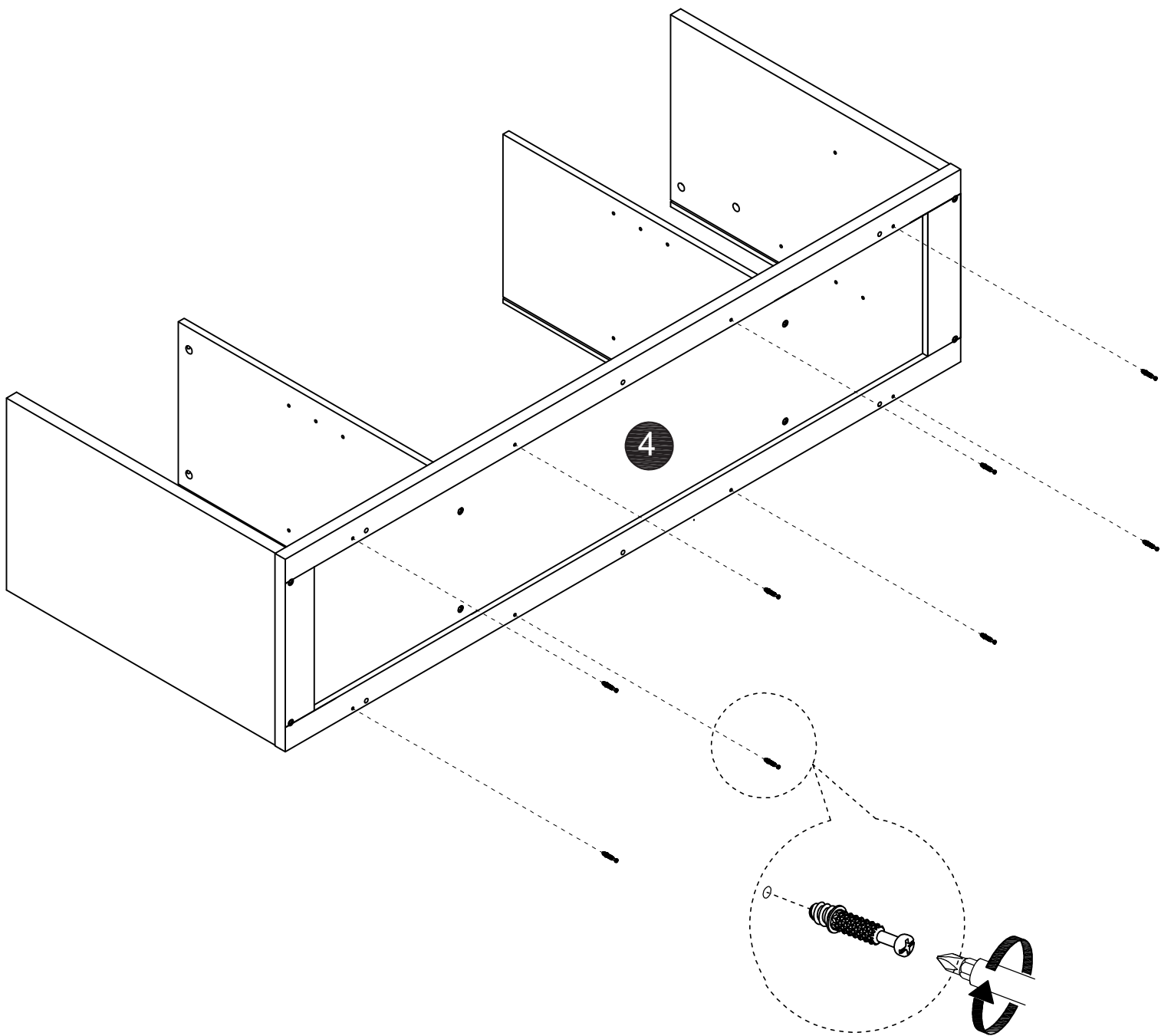
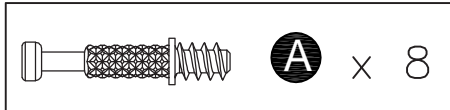
STEP 4



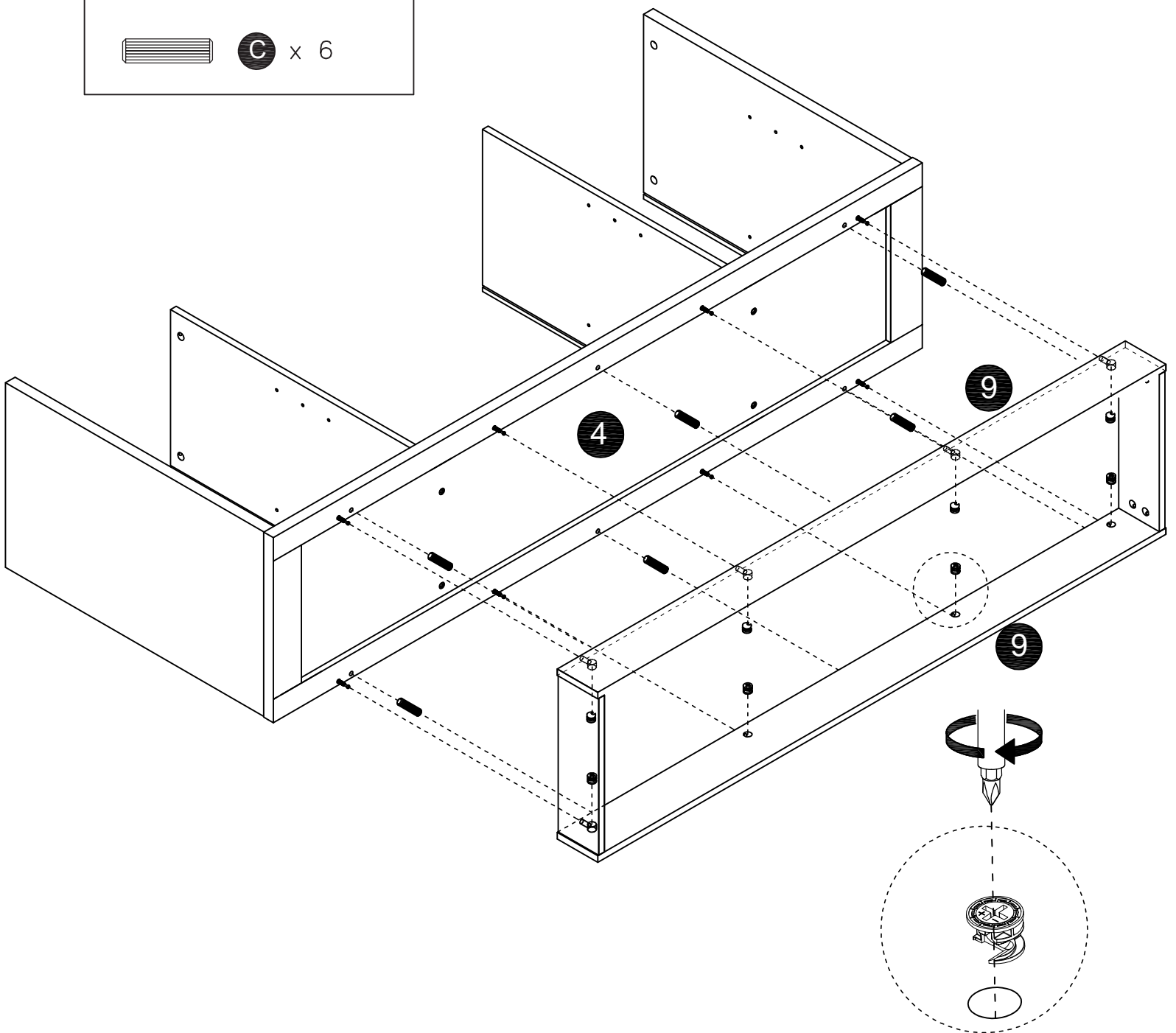
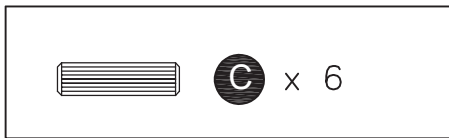
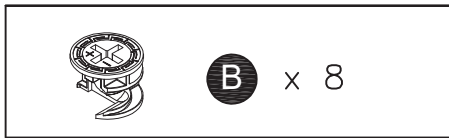
STEP 5



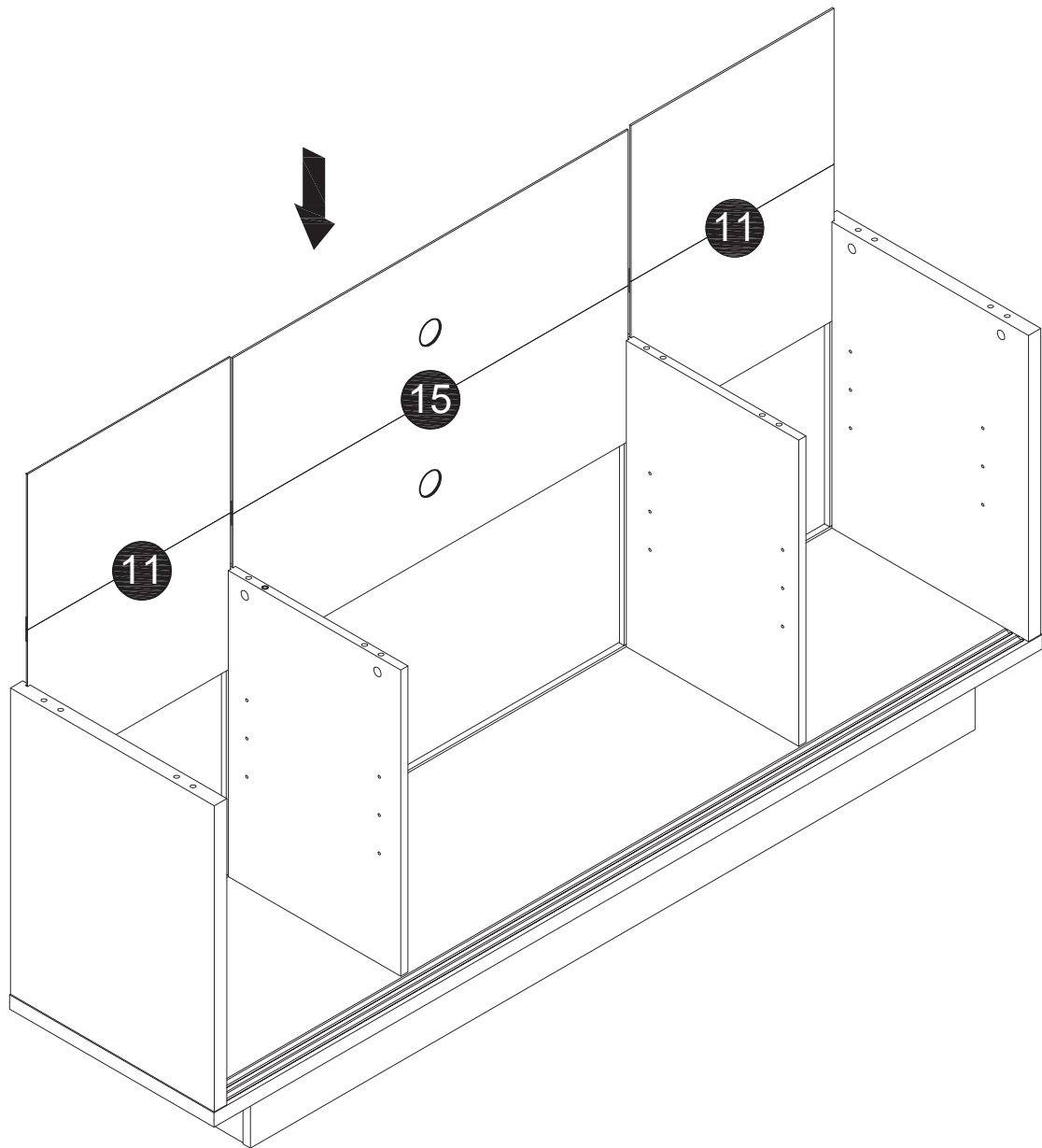
STEP 6



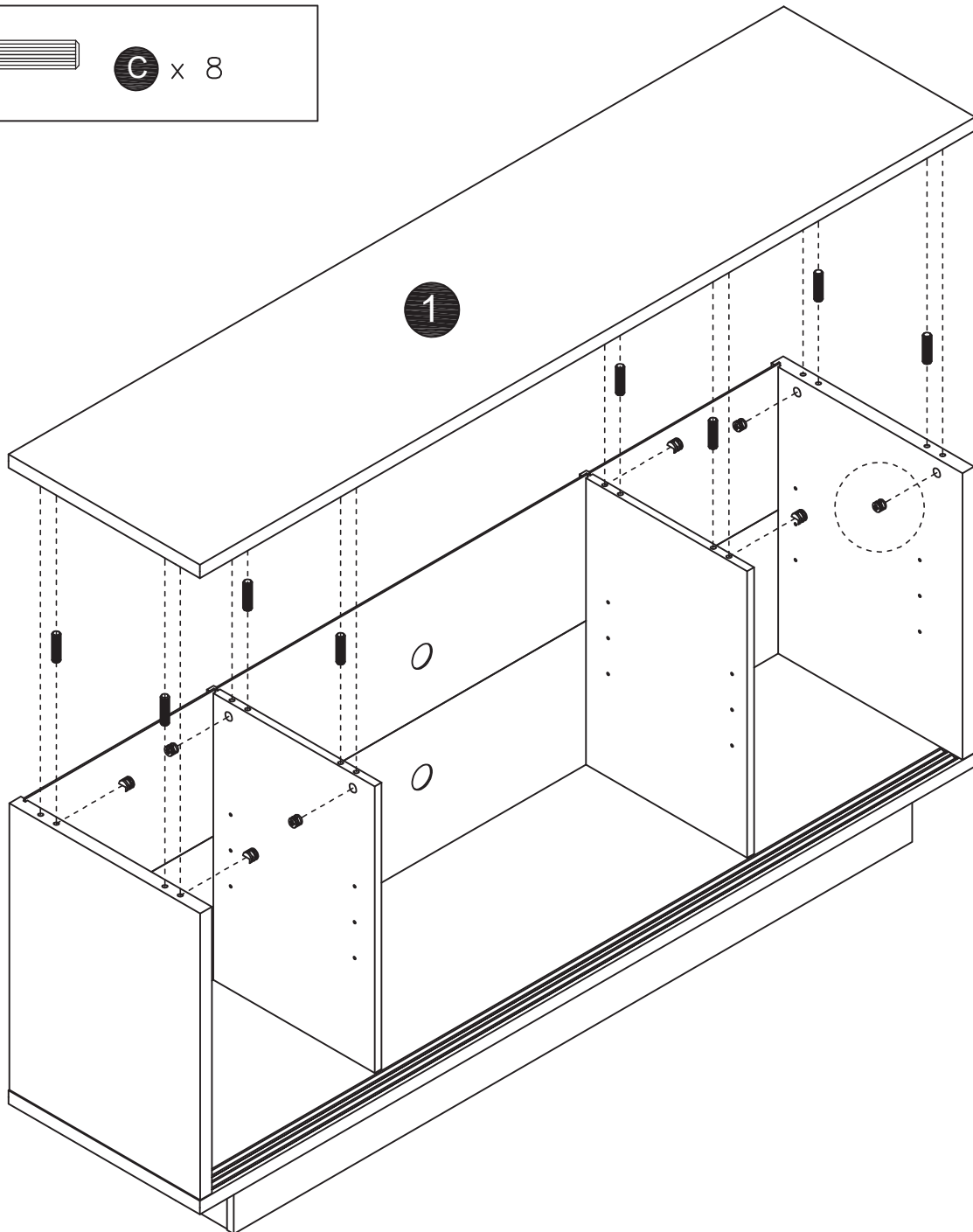
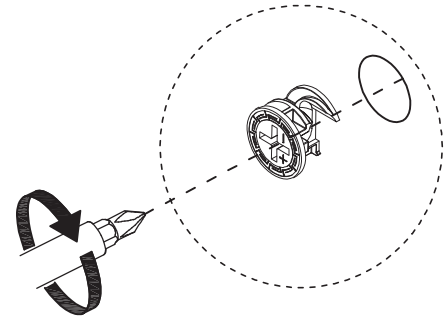
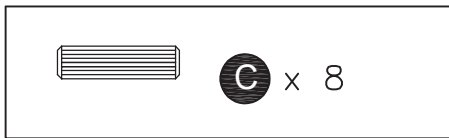
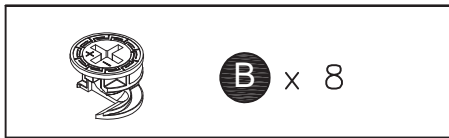
STEP 7



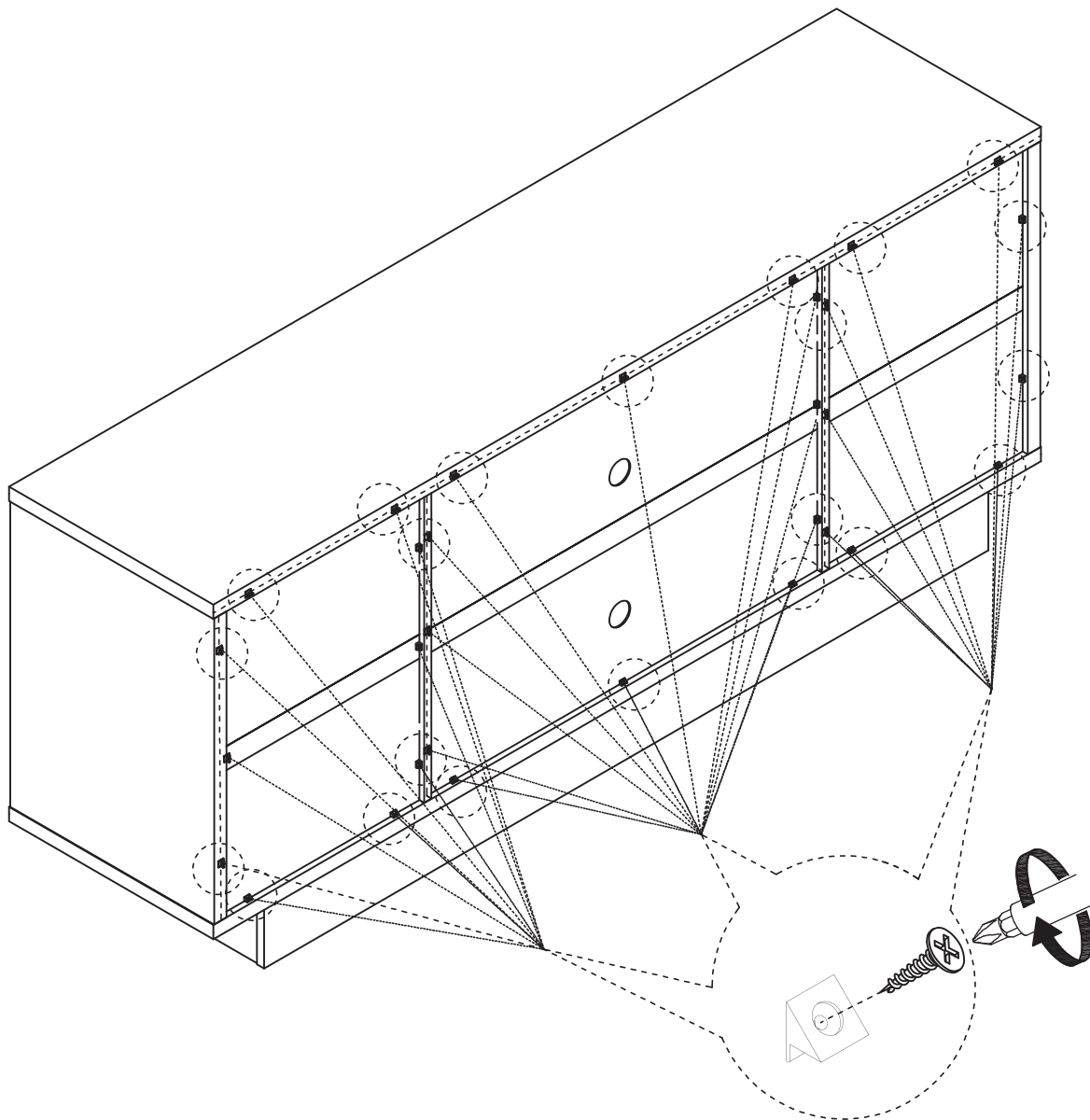
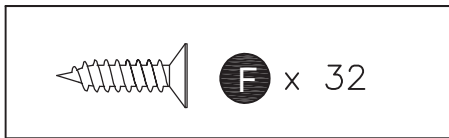
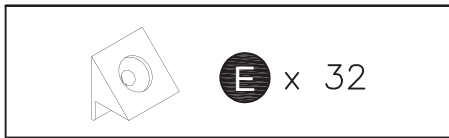
STEP 8



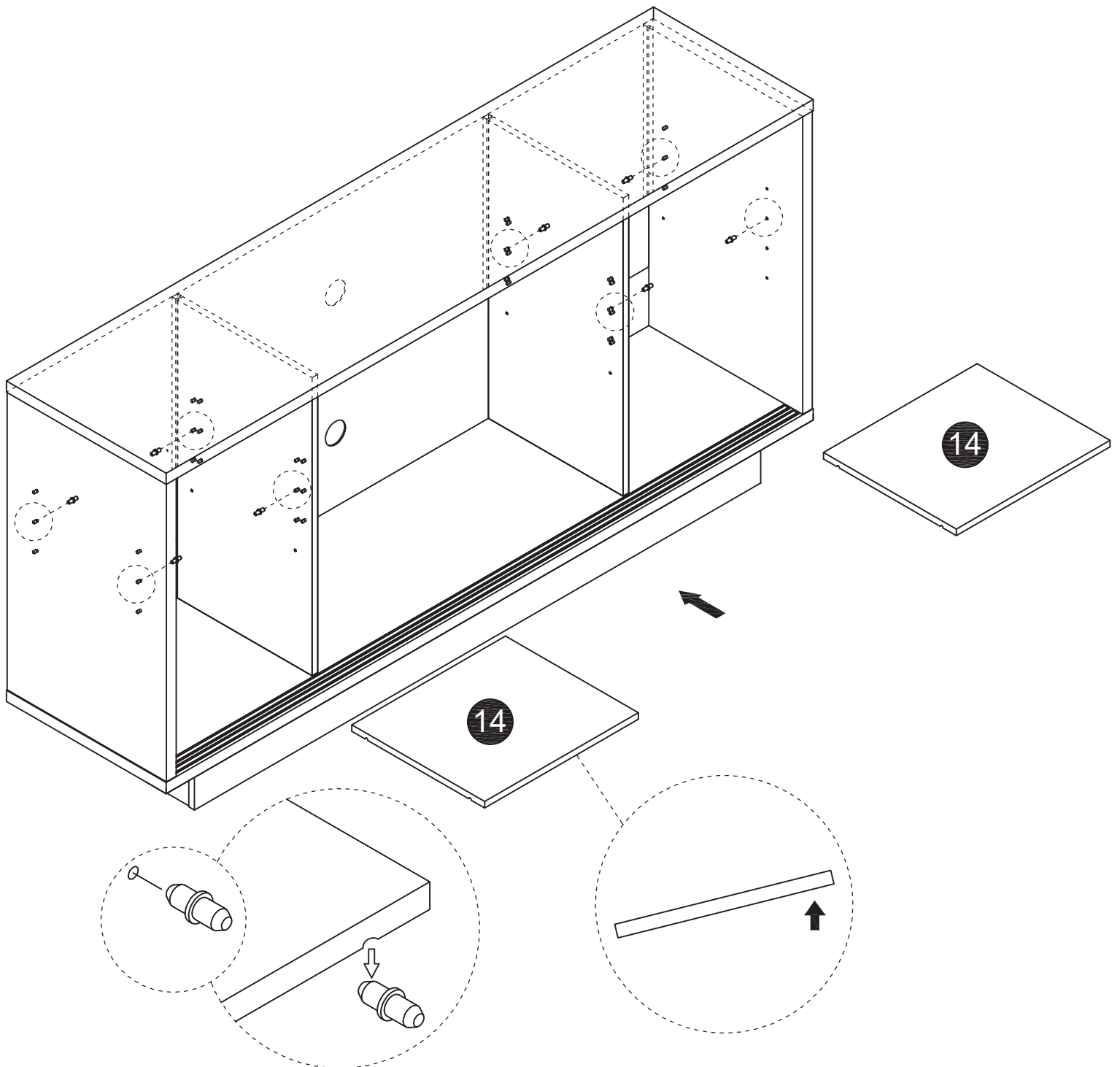
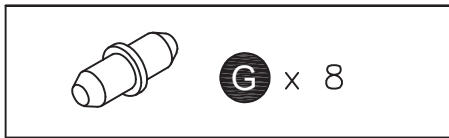
STEP 9



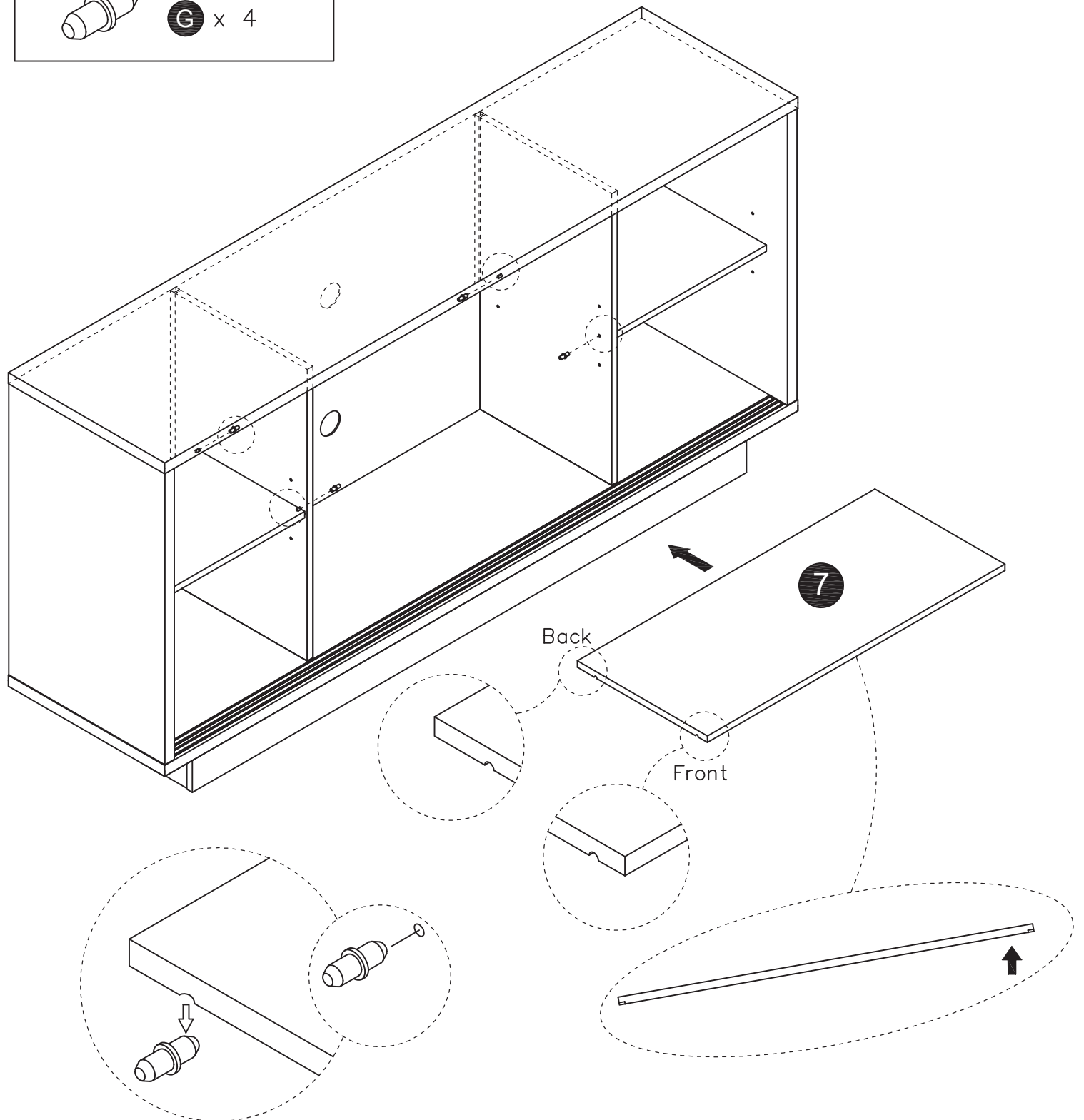
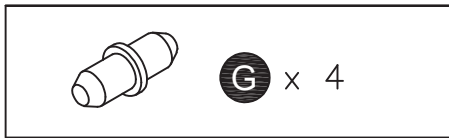
STEP 10



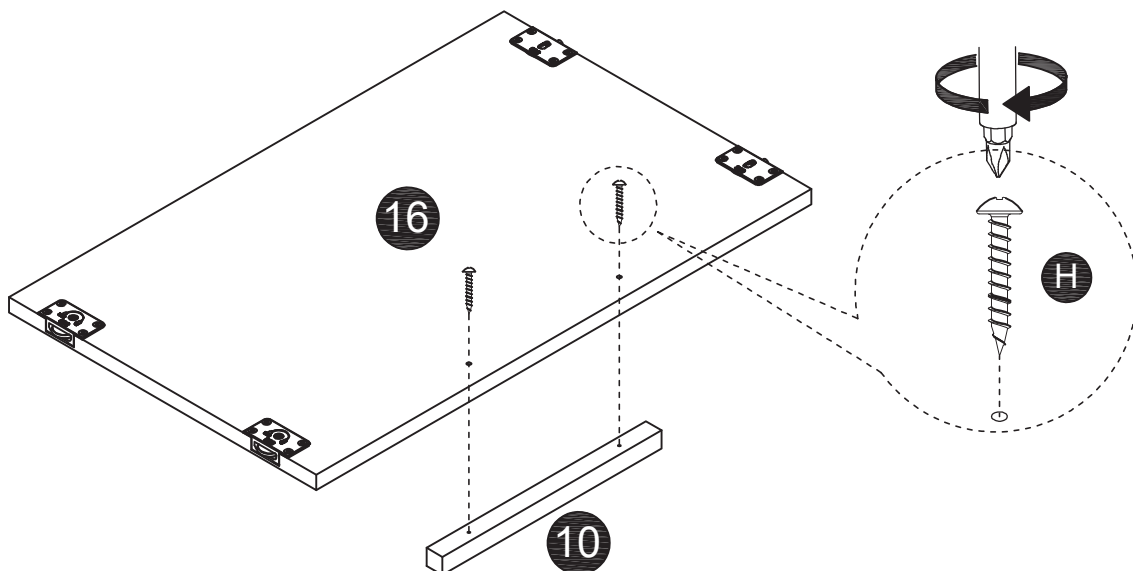
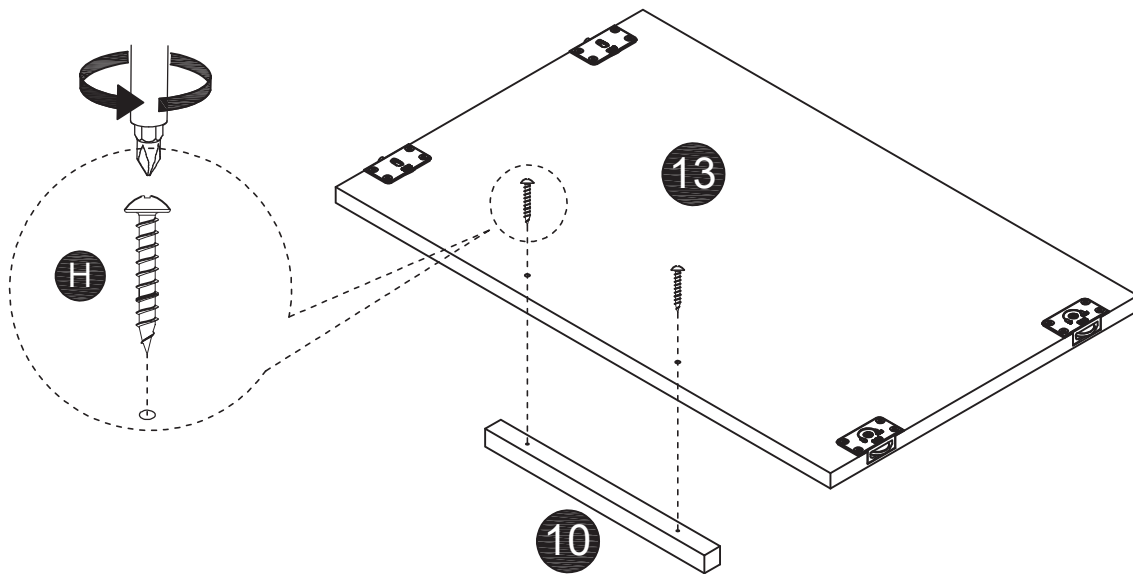
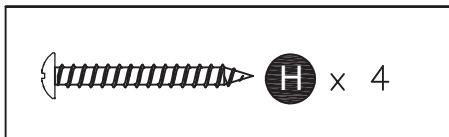
STEP 11



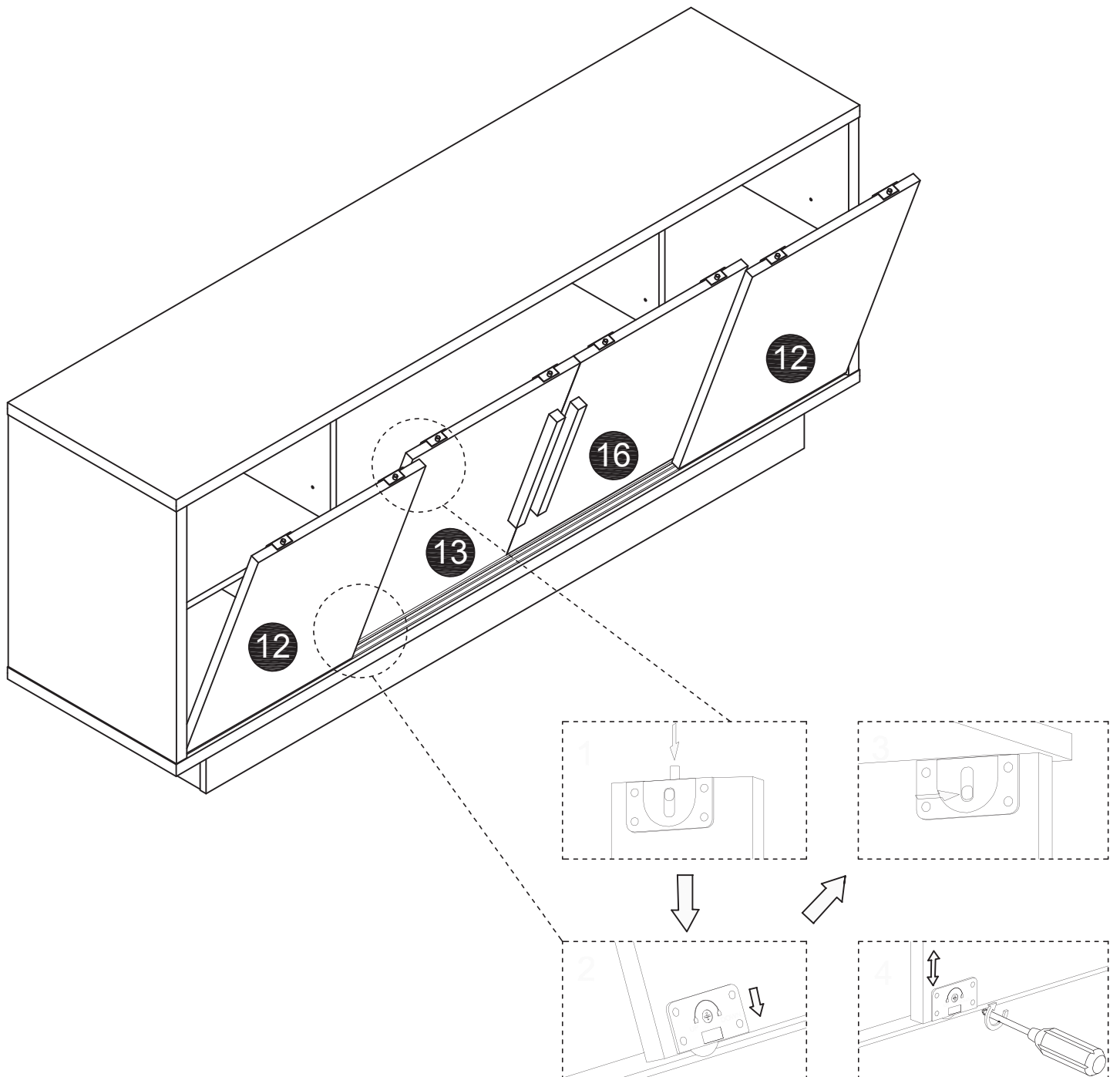
STEP 12



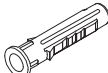


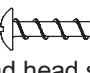
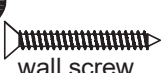
STEP 13

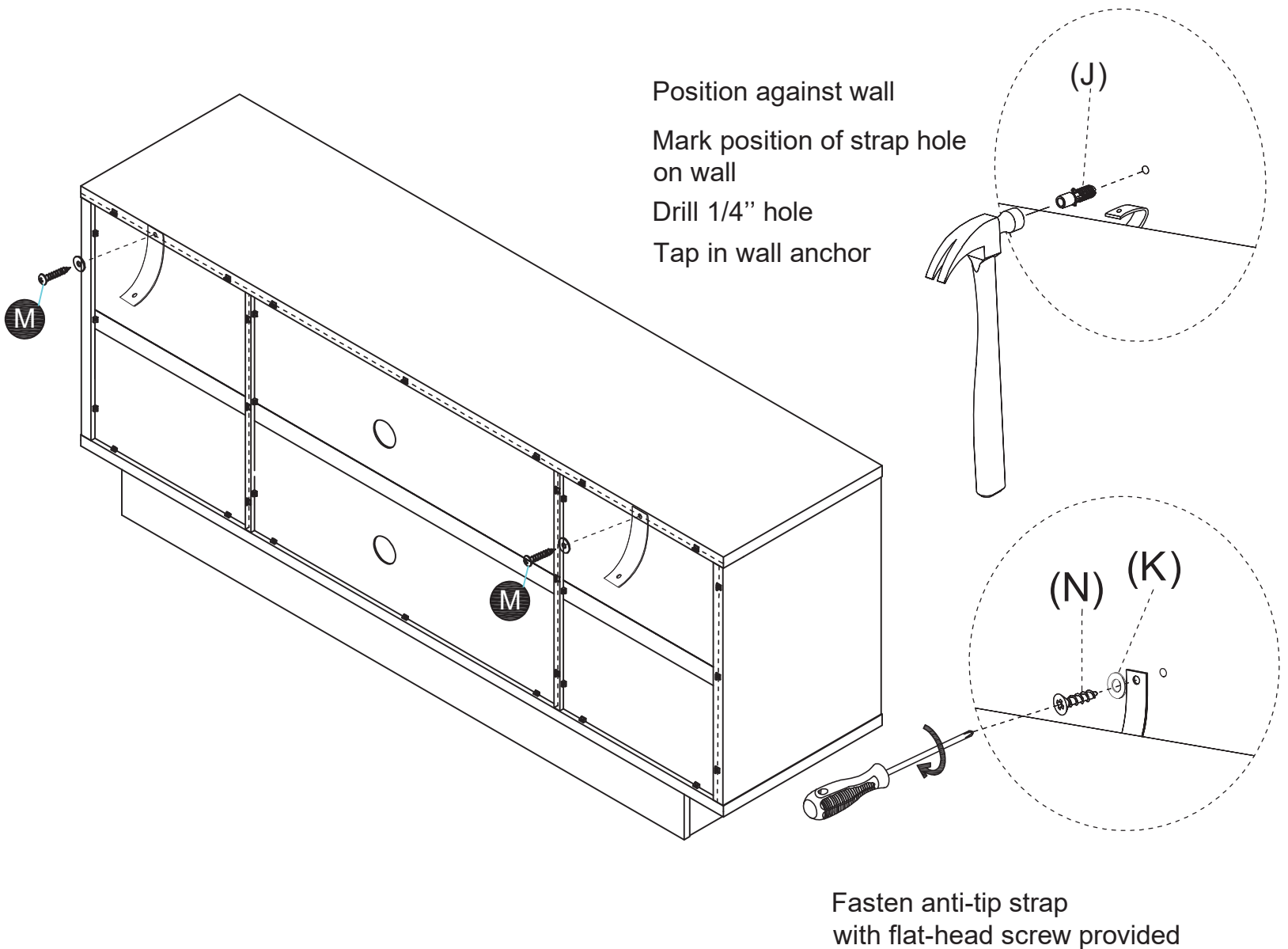


STEP 14

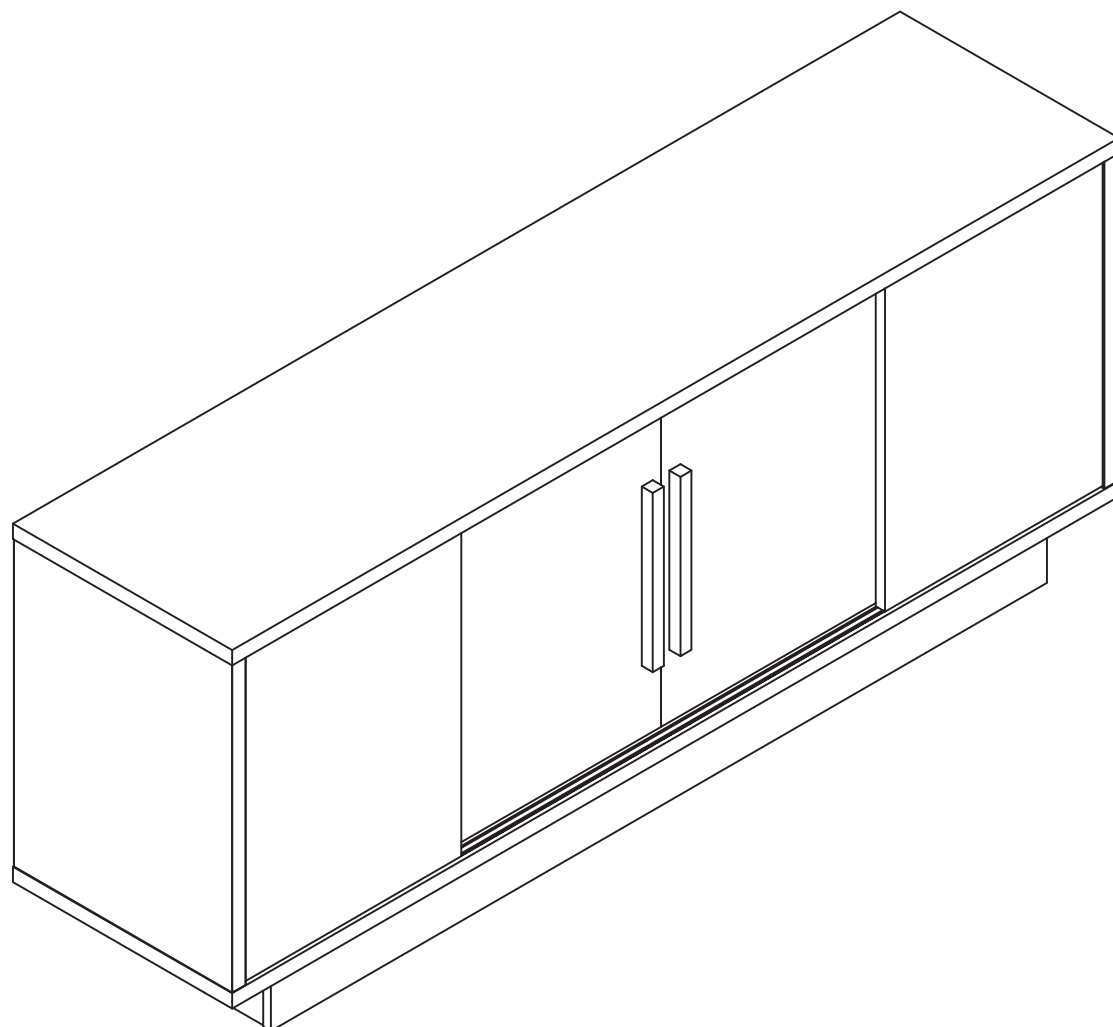


STEP 15: install anti-tip kit

J  x 2 wall anchor	K  x 4 Ø16 washer	L  x 2 wall strap	M  x 2 round head screw Ø3*19mm	N  x 2 wall screw Ø4*38mm
--	---	---	--	--



STEP 16



Need a hand?

Send an email to support@modernmate.net
and our world-class support team will help you
sort things out.