

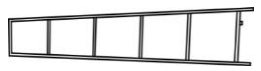








CARE AND MAINTENANCE

Always use felt pads under all articles to prevent discoloration or softening of the lacquer. Plastic and rubber bases on items can discolor wood. Wipe up spills immediately and avoid common hazards such as hot dishes, harsh solvents and abrasives. Cleaning should be done with a soft lint free cotton cloth dampened with water or furniture polish. On highly used surfaces we recommend applying a quality paste wax which should be used on a regular basis to provide additional protection from scratches and spills. How often you apply the wax depends on how much wear the furniture receives.

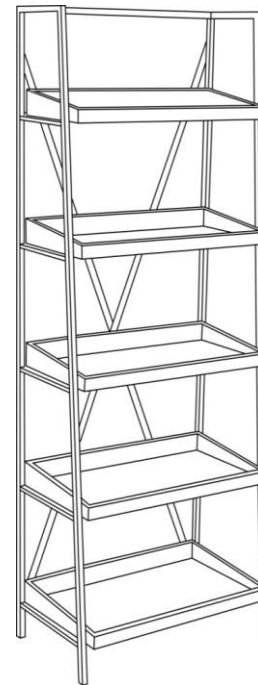
NOTICE

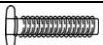





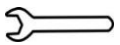
- * Please make sure that you have all parts indicated before you begin assembly of this item
- * This item should be assembled on a soft surface to prevent scratching the finish during assembly
- * This item may require periodic tightening

Part List and Hardware List

PIECE	DESCRIPTION	PICTURE	QUANTITY
A	Metal frame		2X
B	Metal bar		1X
C	Metal plate		1X
D	Metal plate		2X
E	Tray	 23.6"X10.2"X2.3"	1X
F	Tray	 23.6"X11"X2.3"	1X
G	Tray	 23.6"X11.8"X2.3"	1X
H	Tray	 23.6"X12.6"X2.3"	1X
I	Tray	 23.6"X13.3"X2.3"	1X

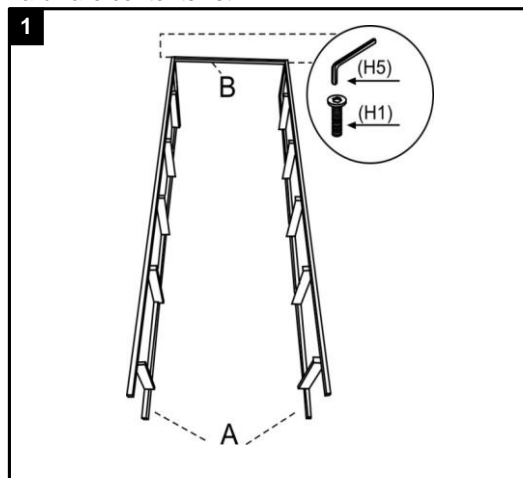
Product Dimensions:25"WX14"Dx63"H



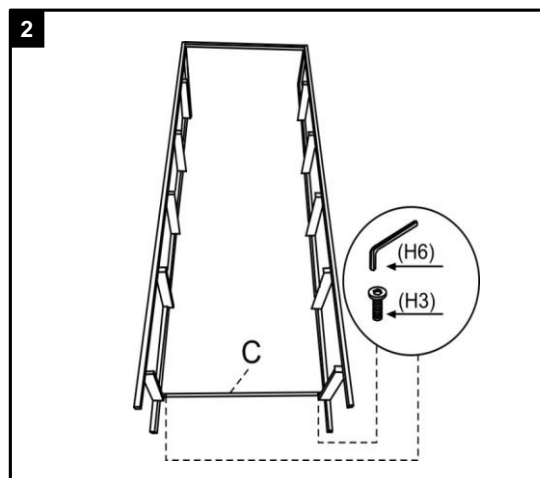
H1	Allen bolt 1	 M6X25mm	6X
H2	Allen bolt 2	 M6X15mm	1X
H3	Allen bolt 3	 M8X15mm	2X
H4	Hex nut		5X
H5	Allen key S	 M6	1X
H6	Allen key L	 M8	1X
H7	Wrench		1X

PREPARATION

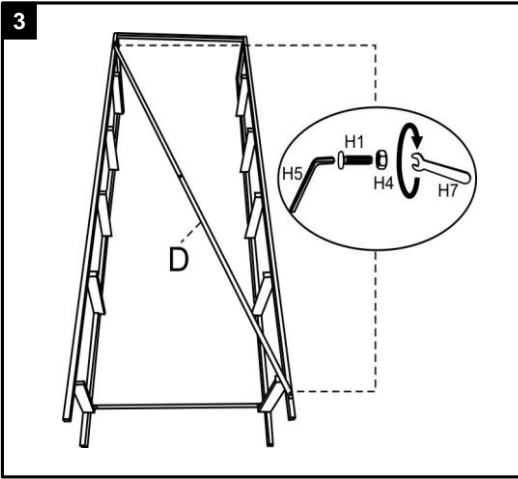
Before beginning assembly of product, make sure all parts are present. Compare parts with package contents list and hardware contents list.



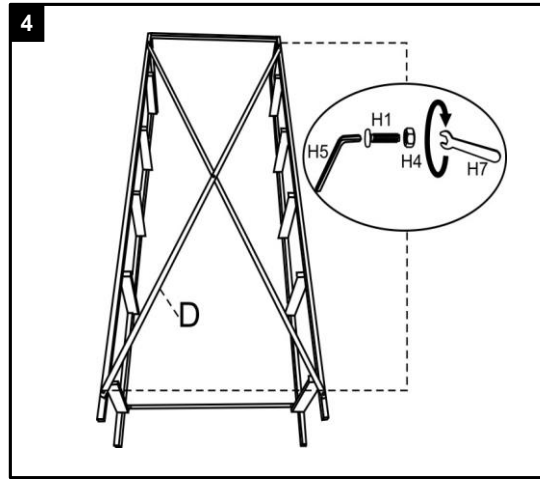
Step 1
Attach the Metal bar(B) to the Metal frame (A), using Allen bolt (H1)
Tighten with Allen key(H5)



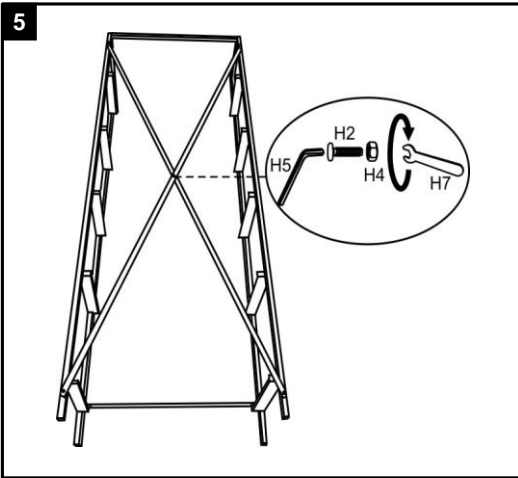
Step 2
Attach the Metal plate(C) to the Metal frame (A),using Allen bolt (H3)
Tighten with Allen key(H6)



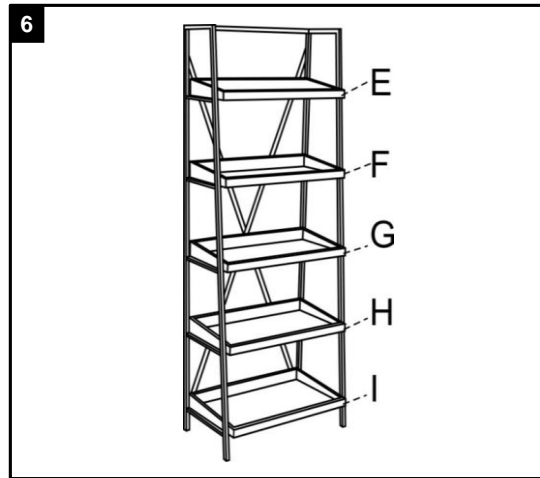
Step 3
 Attach the Metal plate(D) to the Metal frame (A),using Allen bolt (H1)
 and Hex nut (H4)
 Tighten with Allen key(H5) and Wrench(H7)



Step 4
 Attach the Metal plate(D) to the Metal frame (A),using Allen bolt (H1)
 and Hex nut (H4)
 Tighten with Allen key(H5) and Wrench(H7)



Step 5
 Using Allen bolt (H2) and Hex nut (H4) to tighten the Metal
 plates (D) with Allen key (H5) and Wrench (H7)



Step 6
 Put Trays(E,F,G,H,I) on the Shelves.