

# Installation Guidance

Whether you're an accomplished DIY-er or an intrepid first timer, our installation advice is here to support you. With step by step instructions, we want you to feel confident that you can complete your redecoration project yourself.





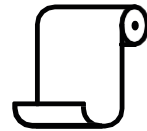
**1. Prepare your paper**



**2. Place the first panel**

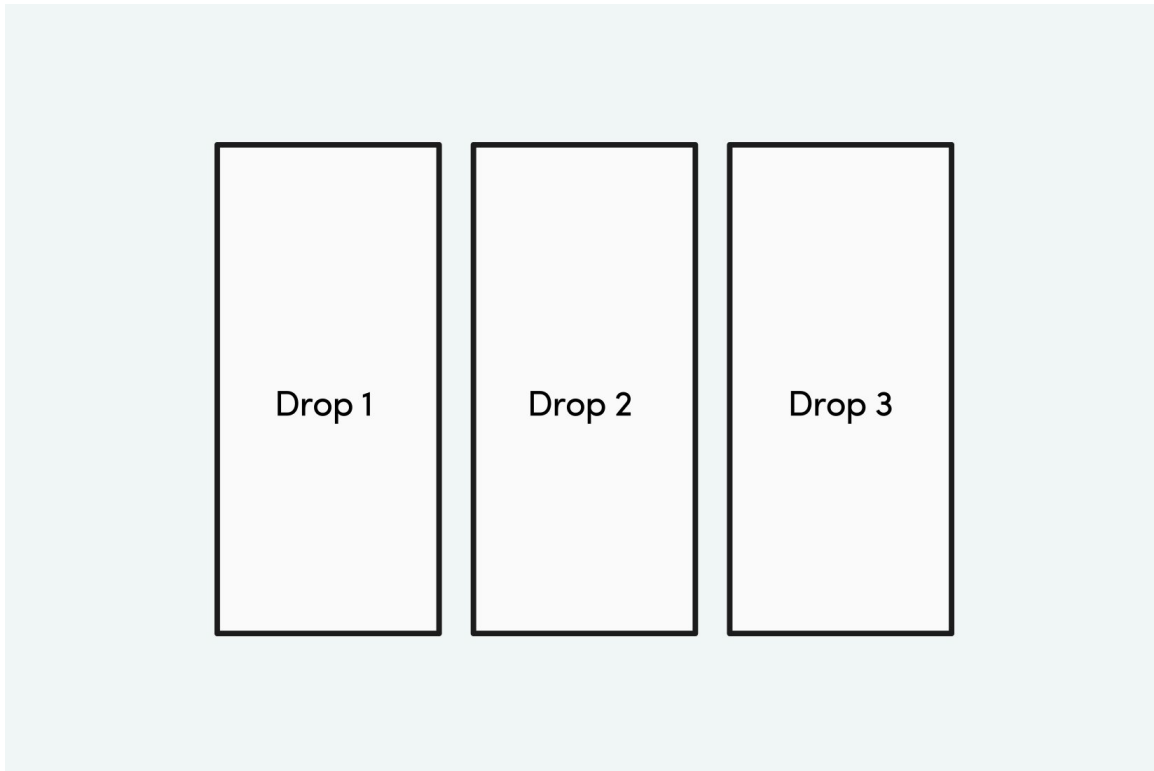


**3. Perfect your panels**



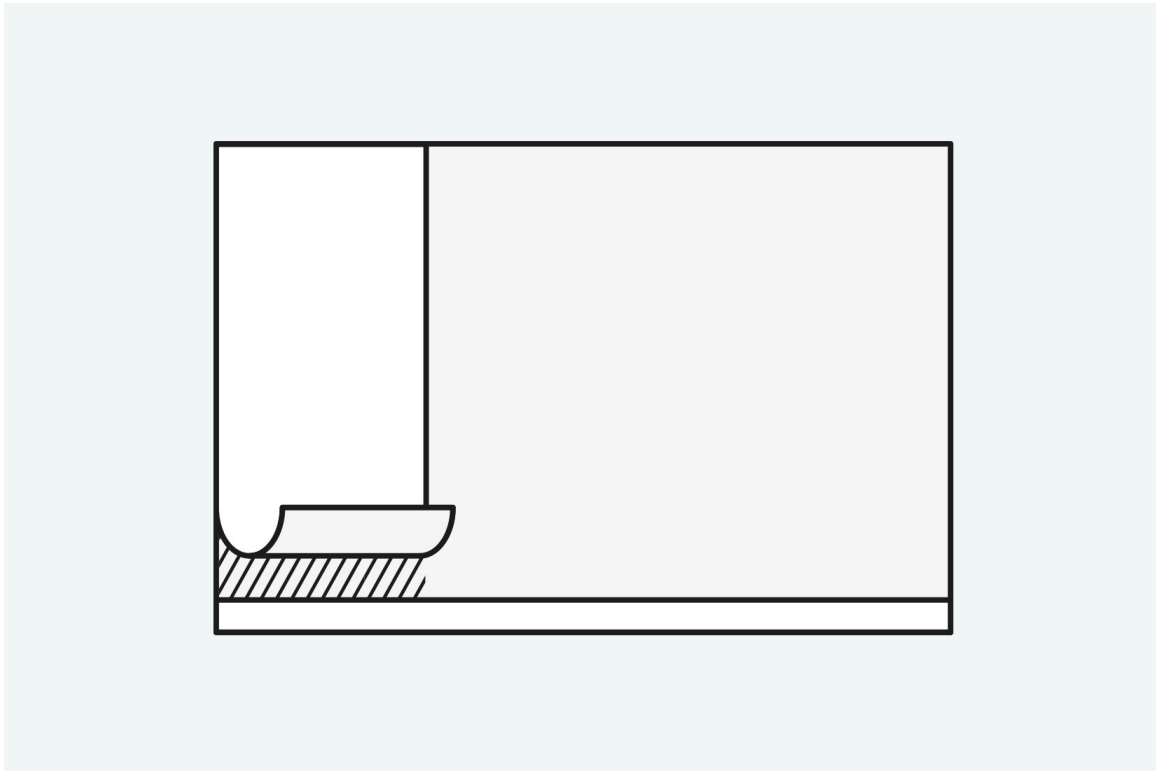
**4. Repeat to complete**

## 1. Prepare your paper



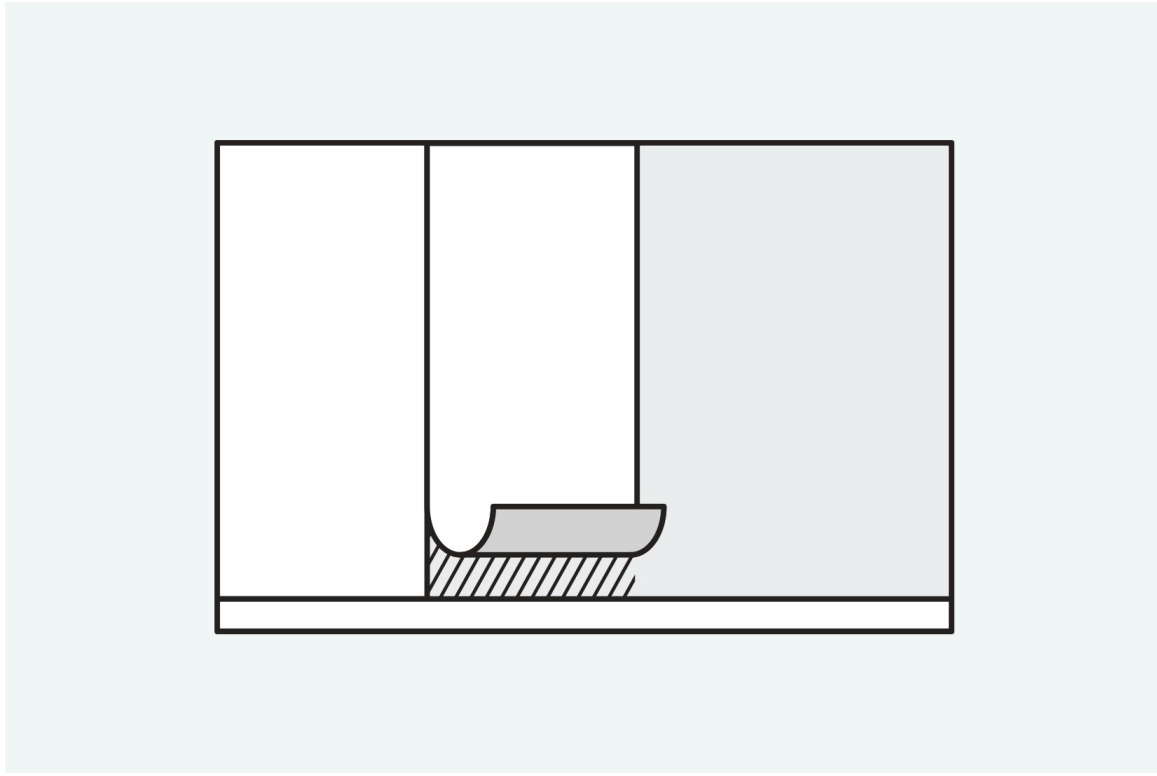
Your mural is printed on 26.77" inches wide strips that are helpfully numbered on each strip. Find the number on the strip and lay out in order so you are ready to install. Remember - we have made allowances for trimming top and bottom to compensate for uneven walls. Ensuring your wall surface is smooth and free of imperfections will make your mural look its best.

## 2. Place the first panel



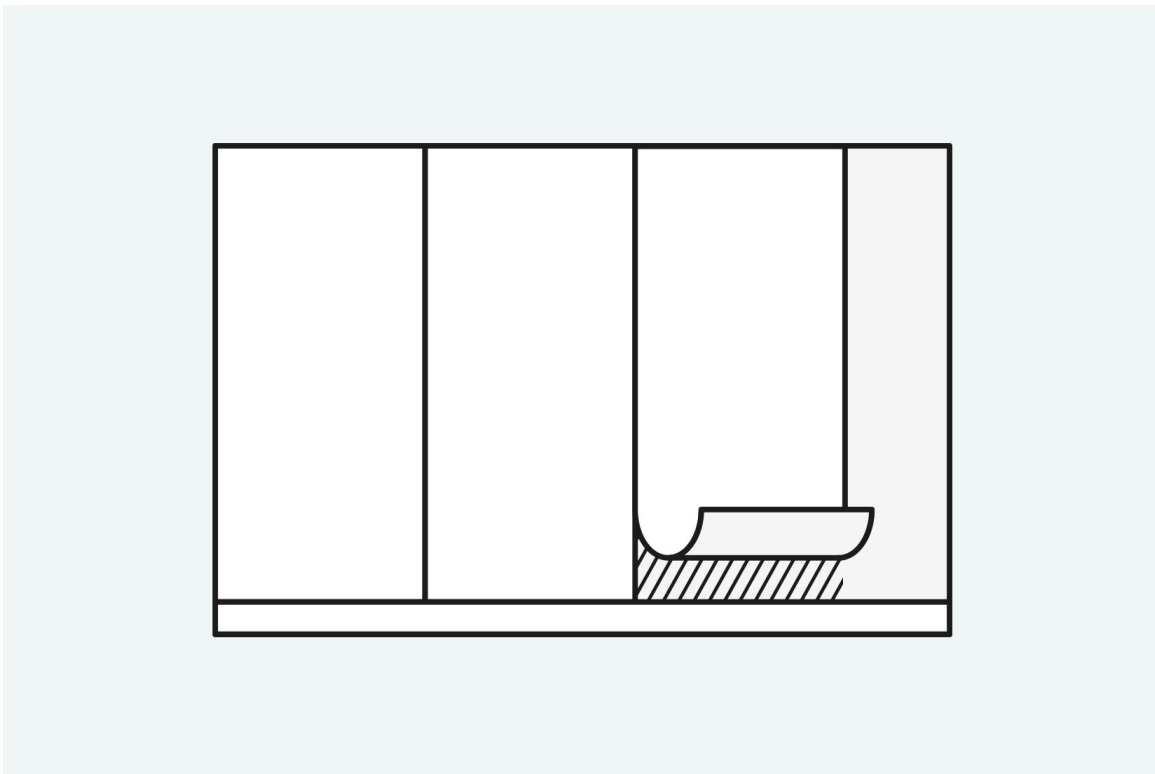
Apply a pre-mixed wallpaper adhesive directly to the wall and backside of wallpaper. Hang the first length, working from top to bottom, and allowing the paper to fall naturally. Smooth over with a soft brush to ensure no air bubbles remain underneath. Check carefully for correct fit in key image areas (eye level and focal points) before top and bottom trimming, and reposition if necessary.

### 3. Perfect your panels



For our textile wallpaper, hang the panels edge to edge (there is no overlap), in a butt joint. Visually match the image at the joint and adjust the position until the design completely matches. Smooth out with a soft brush. Use a seam roller to ensure the product is well bonded at the joints and gently wipe away any excess paste with a dry cloth or slightly dampened cloth. Trim away any excess paper at the top and bottom of each drop using a knife to have a straight edge.

## 4. Repeat to complete



Continue to hang each subsequent panel using the method described above until the mural is complete. Carefully clean any adhesive or residue with warm water and a sponge, then step back and admire your new mural. What a beauty!

## Your guide to greatness

Imagine the feeling of sharing your new mural with your friends for the first time and their faces when you tell them you created it and installed it yourself. Let's get cracking.