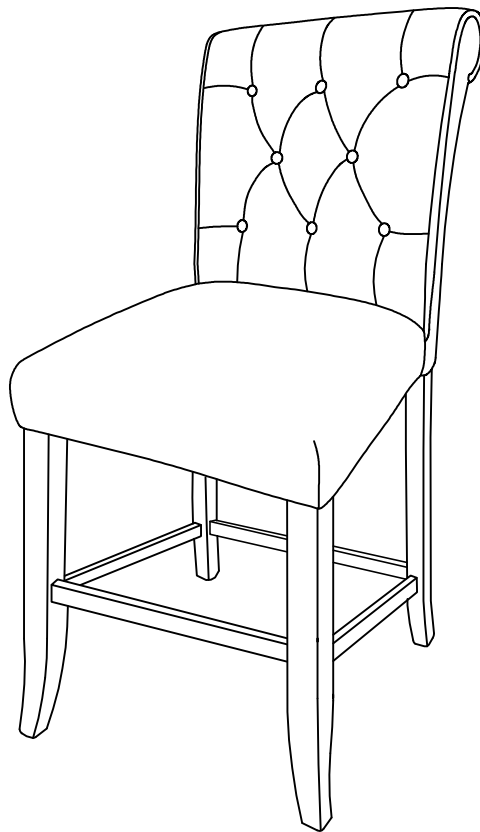


# ASSEMBLY INSTRUCTIONS

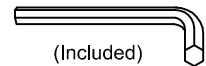


## ASSEMBLY RATING

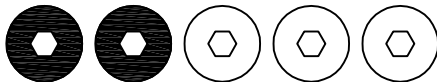
The Assembly Rating is a 5-point system that shows the degree of effort needed in assembling a specific product (with 1 being easy and 5 being difficult). For some products, two persons are recommended.

## Tools Required For Assembly:

Allen Wrench



EASY



DIFFICULT

# ASSEMBLY & CARE ADVICE

FOR YOUR FURNITURE TO LAST, CORRECT ASSEMBLY AND PROPER MAINTENANCE ARE NECESSARY. PLEASE FOLLOW THE INFORMATION PROVIDED BELOW TO FULLY ENJOY YOUR FURNITURE.

## BASIC ASSEMBLY TECHNIQUES



When lock or spring washer is used in an assembly, please make sure the lock or spring washer is placed between the larger flat washer and the head of the screw or bolt.



Position each part correctly and insert screws or bolts into their respective holes by hand tighten or using the proper hand tool. Only tighten when step is completed or when instructed to do so.



Use cardboard or carpet area when assembling furniture to prevent scratches. Make sure the furniture rests on a flat and level surface with each leg evenly touching the floor.



Some furniture comes with height adjustment knobs underneath each leg. To lower or to raise each leg, you need to turn clockwise or counterclockwise, respectively.



Make sure all parts are properly aligned, then use the appropriate hand tool to completely tighten the bolts or screws. Do not use power tools and do not overtighten.



Save the instructions and store the Allen wrench or any supplied tool for later maintenance. After two weeks, check and tighten any loose hardware and repeat again every six months thereafter.

IT IS THE USER'S RESPONSIBILITY TO MAINTAIN THE FURNITURE. THE HARDWARE MAY LOOSEN OVER TIME AND MAY CAUSE THE FURNITURE TO BE WOBBLY AND UNABLE TO SUPPORT ITS INTENDED WEIGHT CAPACITY. THIS MAY LEAD TO COLLAPSE AND MAY CAUSE SERIOUS INJURY.









**FAILURE TO FOLLOW THE GUIDELINES ABOVE MAY RESULT IN INJURY AND/OR PROPERTY DAMAGE.**









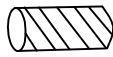
Before you begin, please read Page 2 of "Assembly and Care Advice".

And remember, do not tighten until each step is completed or instructed.

### Parts List

-  #1 x 1pc x 2  
Backrest w/Legs
-  #2 x 1pc x 2  
Seat cushion
-  #3 x 2pcs x 2  
Front Leg ( L & R )
-  #4 x 1pc x 2  
Front Stretcher
-  #5 x 1pc x 2  
Left Stretcher
-  #6 x 1pc x 2  
Right Stretcher

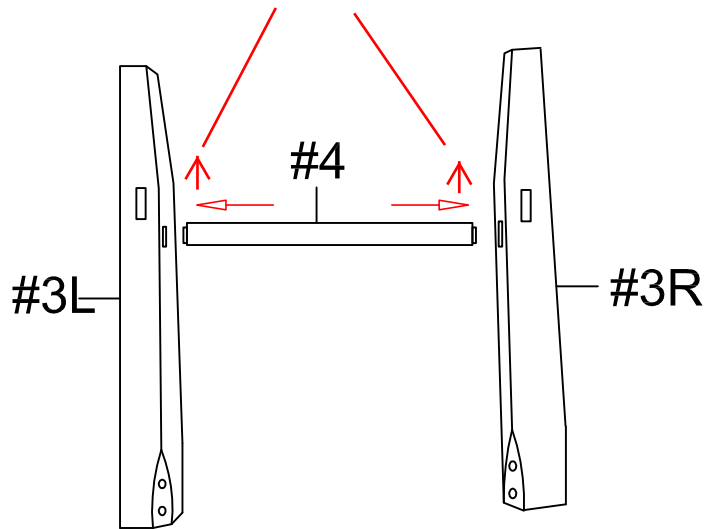
### Hardware List

-  #A x 1pc x 2  
Allen Wrench 5MM
-  #B x 4pcs x 2  
Bolt  $\phi 5/16$ "x3-1/2"
-  #C x 6pcs x 2  
Bolt  $\phi 5/16$ "x2"
-  #D x 10pcs x 2  
Lock Washer  $\phi 5/16$ "
-  #E x 10pcs x 2  
Flat Washer  $\phi 5/16$ "x22MM
-  #F x 6pcs x 2  
Screw
-  #G x 1pc x 2  
Wood Dowel



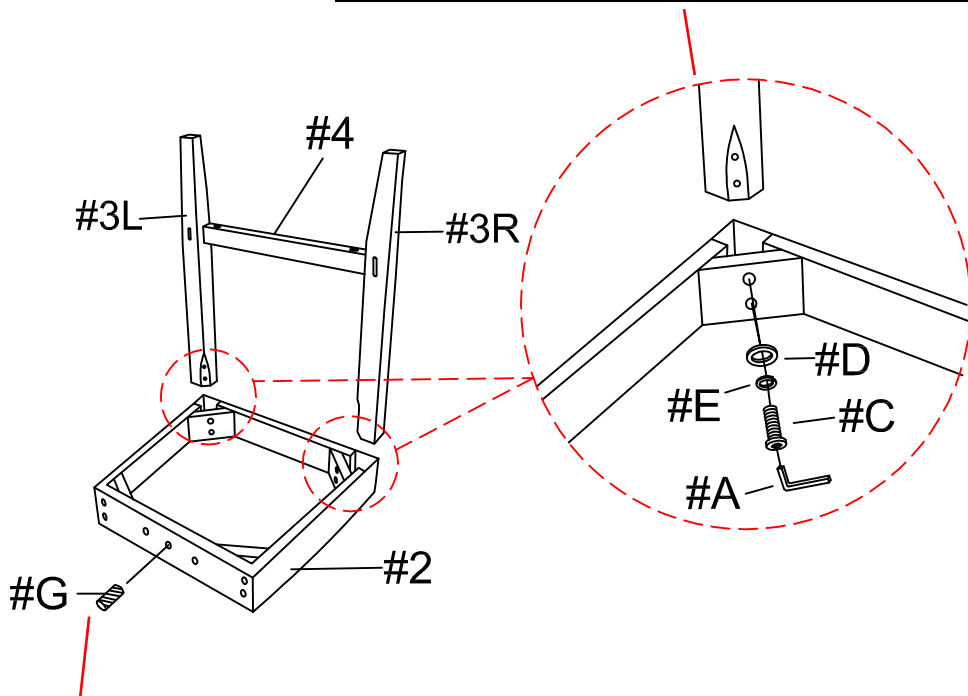
Align and attach the front stretcher (#4) to the gaps of the front legs (#3R/L).

Make sure holes of front stretcher (#4) is facing where the arrow is pointing.



Prepare 4 bolts assembly by inserting lock washer (#E), then flat washer (#D) onto bolts (#C). Insert front legs (#3R/L) to the holes of the seat cushion (#2). Secure with bolts (#C).

- #C x 4pcs
- #D x 4pcs
- #E x 4pcs



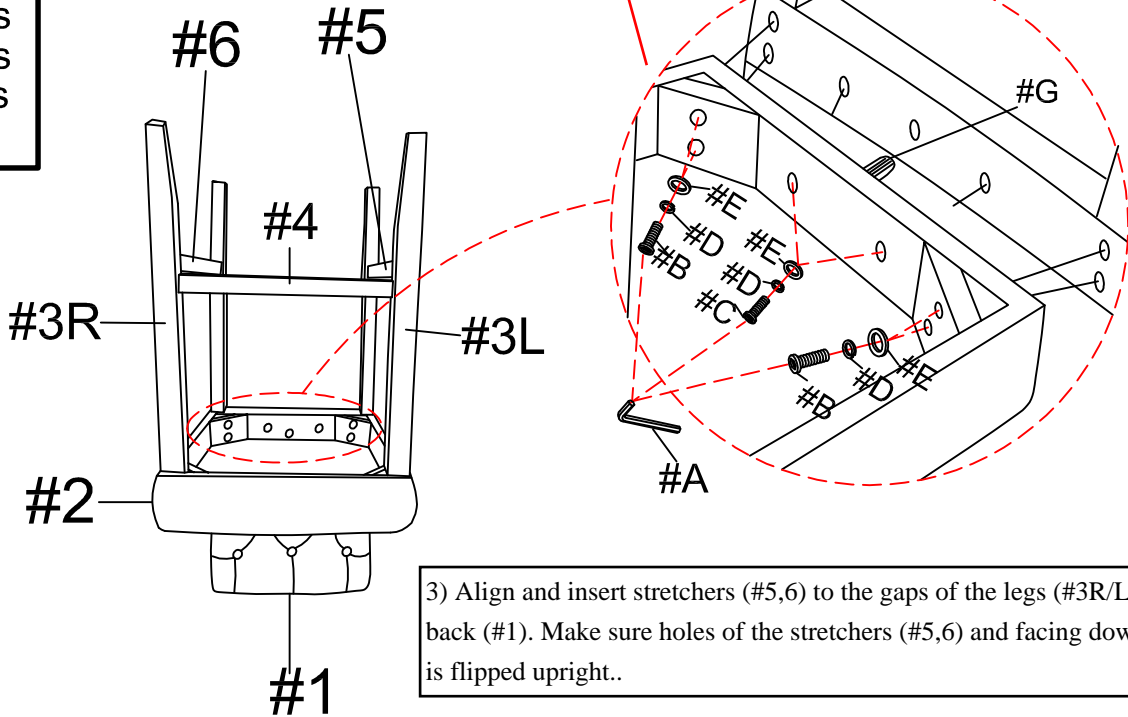
Insert wood dowel (#G) to the middle hole of the seat cushion (#2).



1) Prepare 2 bolts assembly by inserting lock washer (#D), then flat washer (#E) onto bolts (#C). Align holes of the seat cushion (#2) to the holes of the chair back (#1). Secure middle holes with bolts (#C), but do not fully tighten.

2) Prepare 4 bolts assembly by inserting lock washer (#D), then flat washer (#E) onto bolts (#B). Secure corner holes of the seat cushion (#2) with bolts (#B), but do not fully tighten.

#Bx 4pcs  
#Cx 2pcs  
#Dx 6pcs  
#Ex 6pcs  
#Gx 1pc



3) Align and insert stretchers (#5,6) to the gaps of the legs (#3R/L) and chair back (#1). Make sure holes of the stretchers (#5,6) and facing down when chair is flipped upright..



#F x 6pcs

Secure all stretchers (#4,5,6) with screws (#F).

