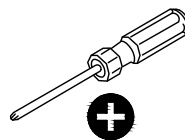
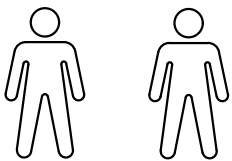
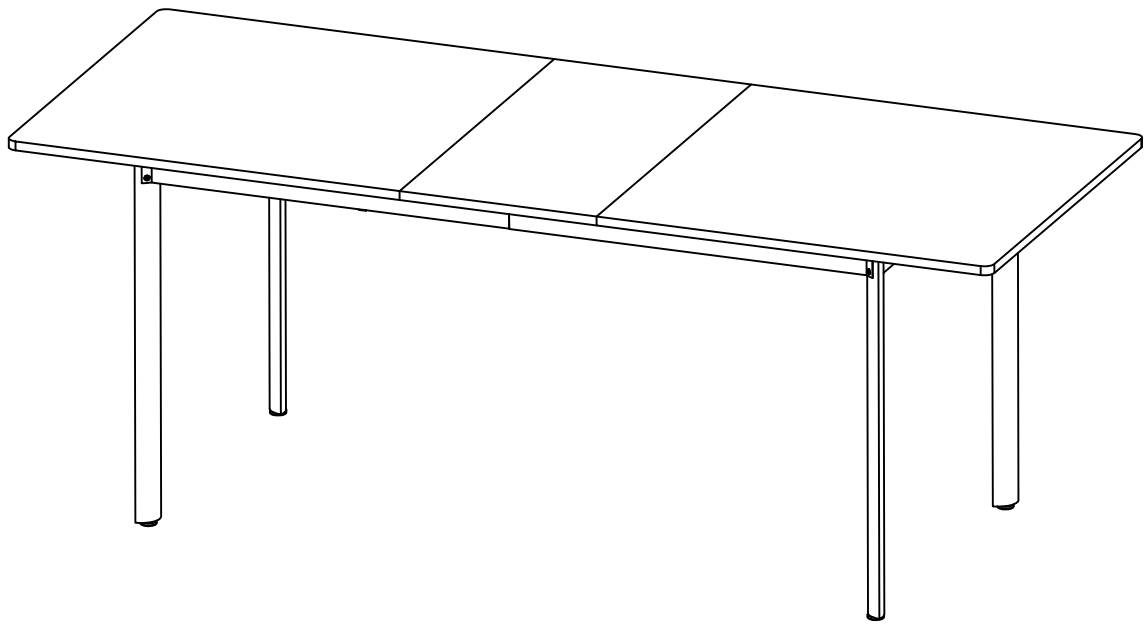
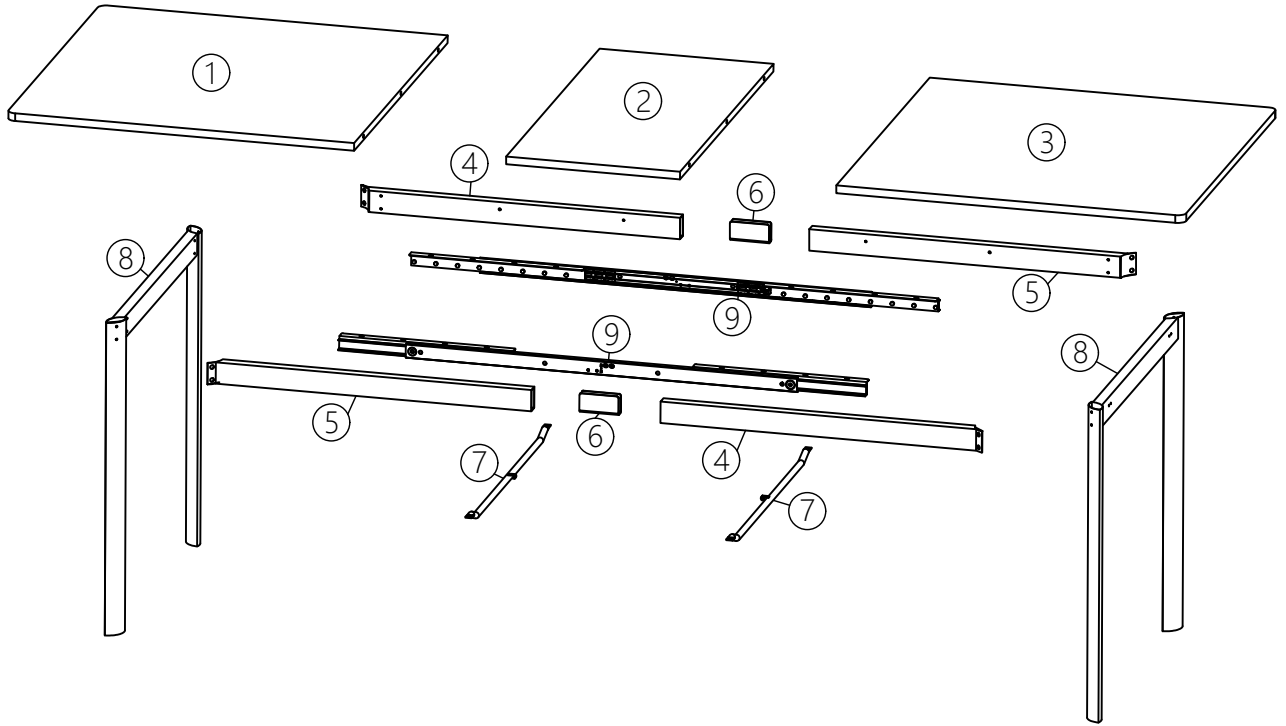
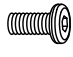
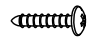




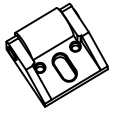
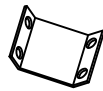
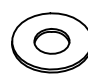


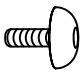


# ASSEMBLY INSTRUCTION

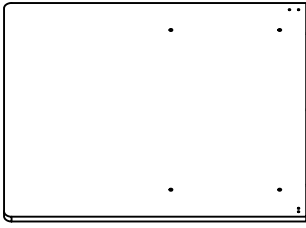


Tools required (not included)

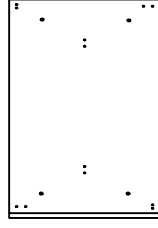


(A)	x 44+1	(B)	x 20+1	(C)	x 8	(D)	x 8	(E)	x 6	(F)	x 4
 M6x12		 M4x12		 M4x14		 M6x12					
(G)	x 4	(H)	x 4	(I)	x 8	(J)	x 4	(K)	x 1	(L)	x 4
				 Ø16x1.5				 M4		 M6x12	

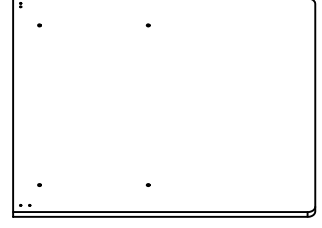
①x1pc



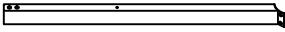
②x1pc



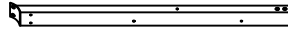
③x1pc



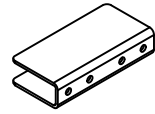
④x2pcs



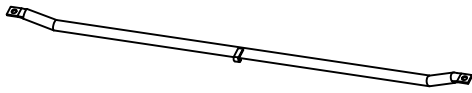
⑤x2pcs



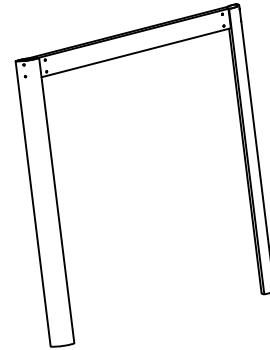
⑥x2pcs



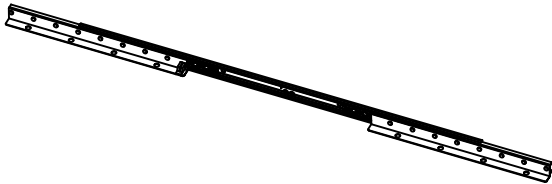
⑦x2pcs



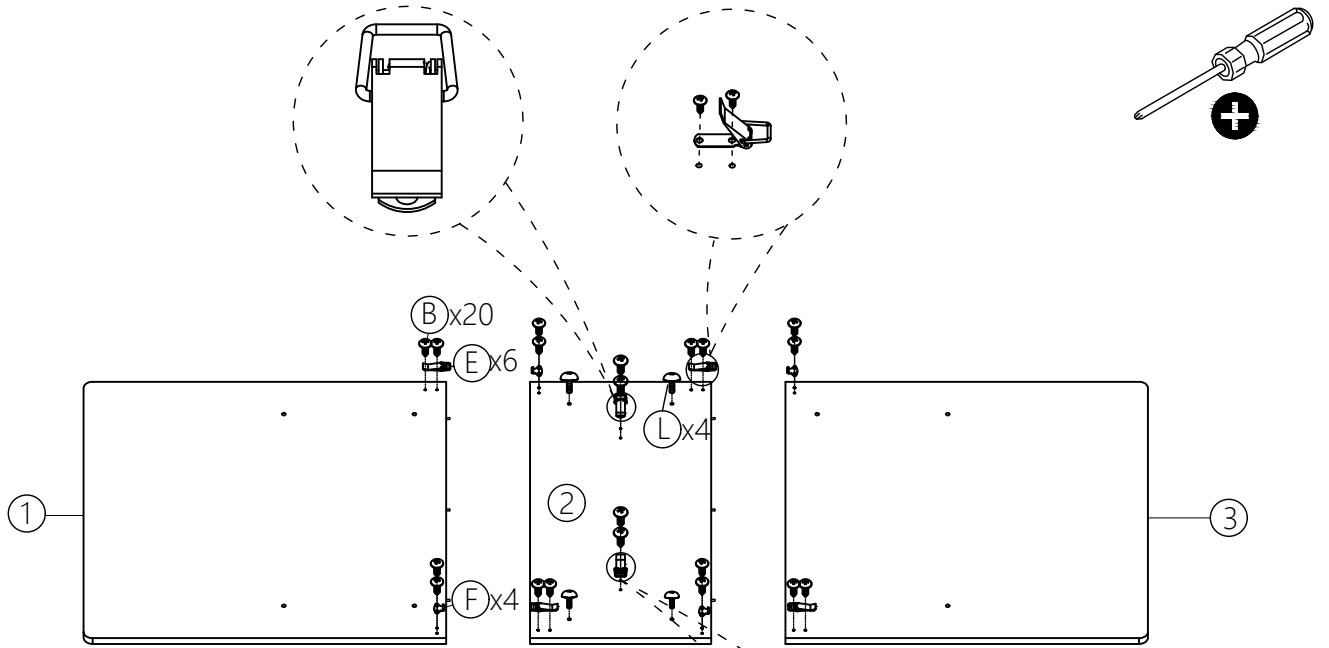
⑧x2pcs



⑨x2pcs

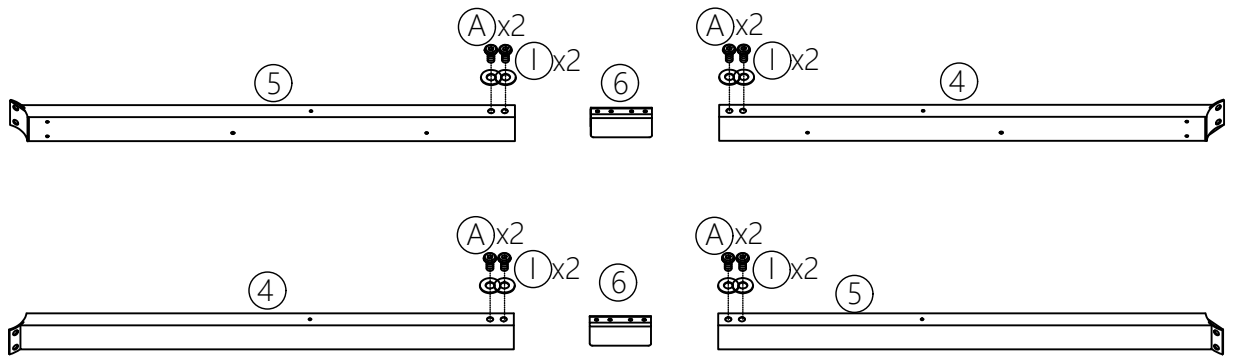


1



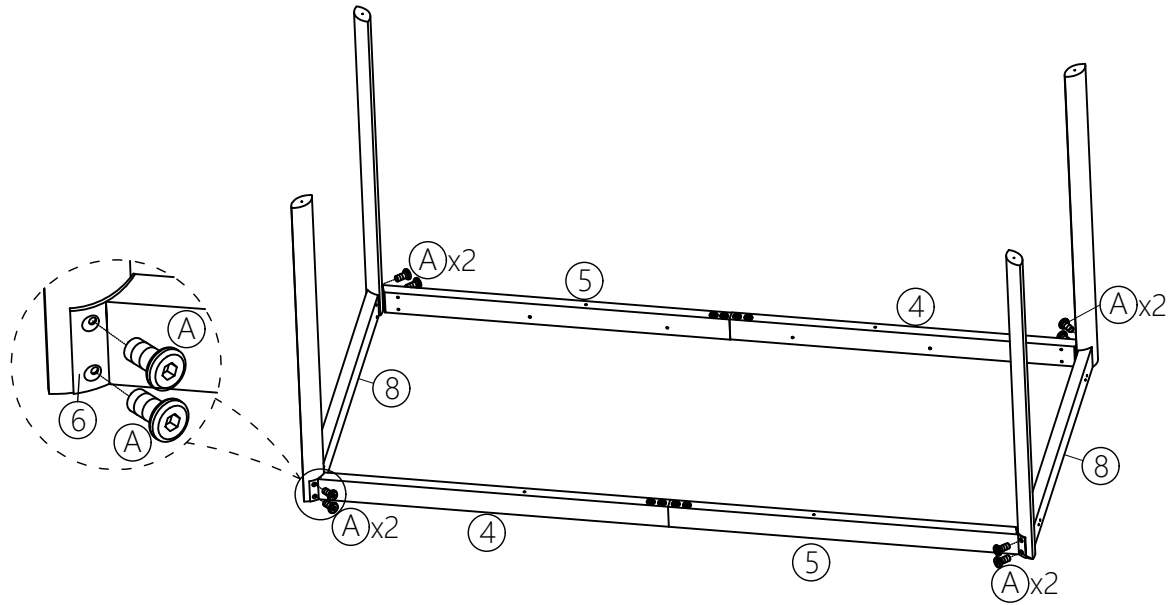
(B)	x 20	(E)	x 6	(F)	x 4	(L)	x 4
M4x12						M6x12	



2



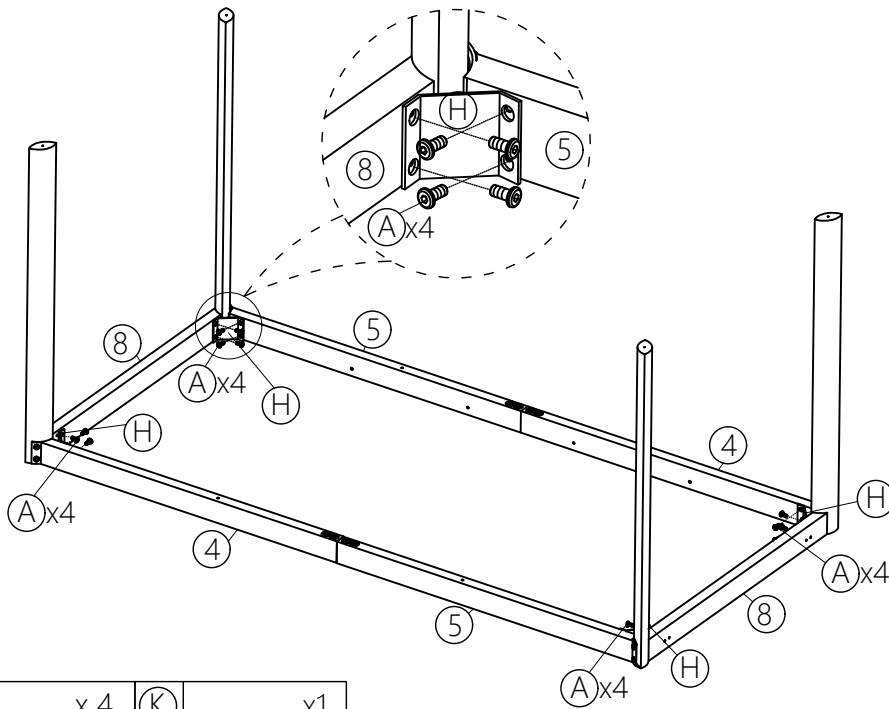
(A)	x 8	(I)	x 8	(K)	x 1
M6x12		∅16x1.5		M4	

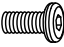
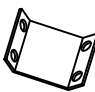

3



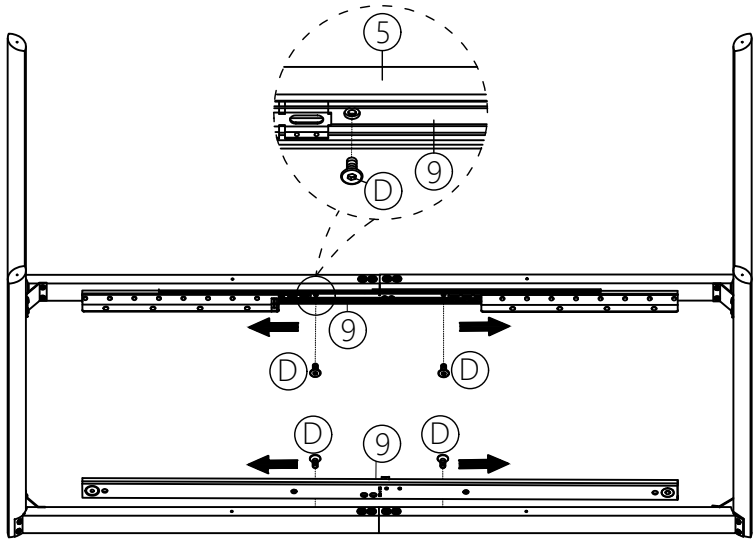
(A)	x 8	(K)	x 1
			
M6x12		M4	



4



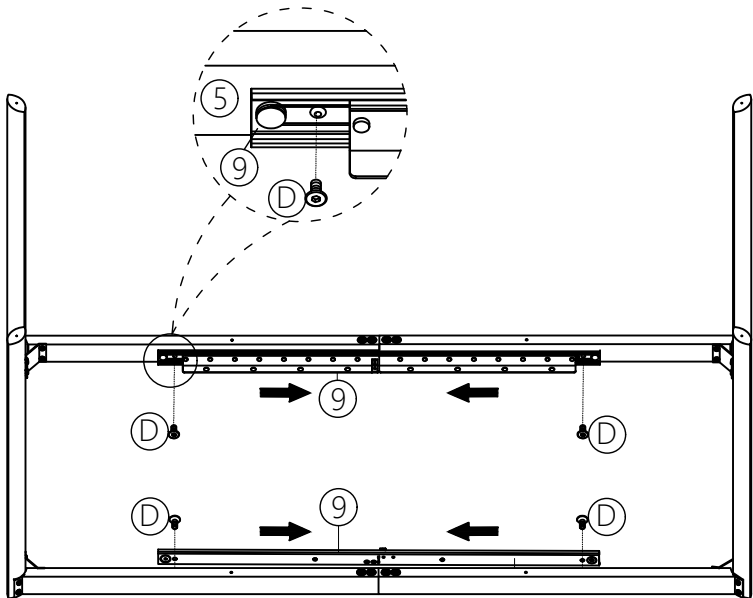
(A)	x 16	(H)	x 4	(K)	x 1
					
M6x12				M4	



5



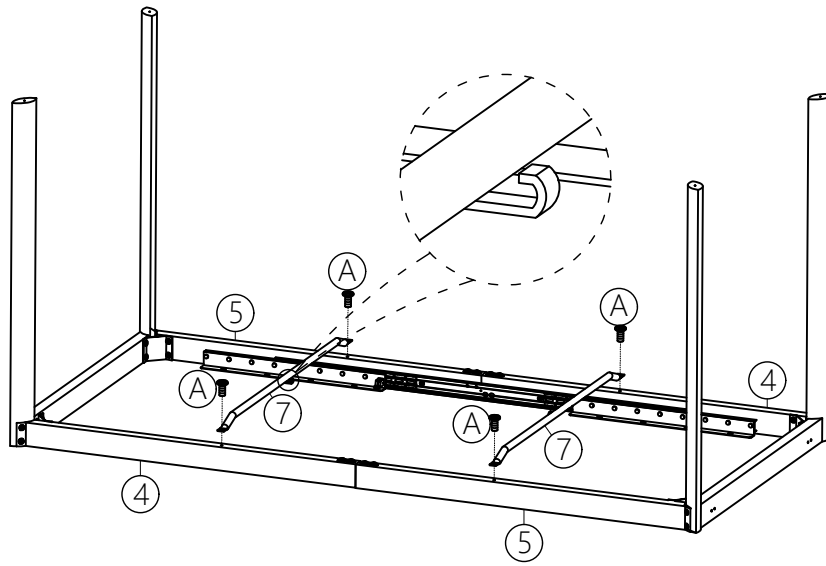
(D)	x 4	(K)	x 1
			
M6x12		M4	



6



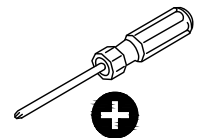
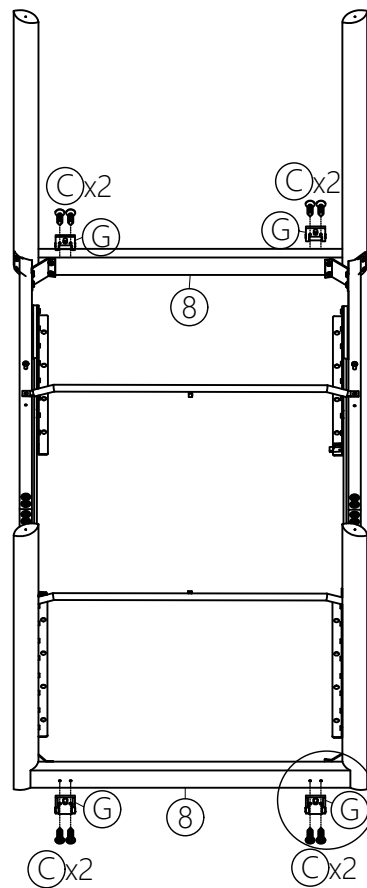
(D)	x 4	(K)	x 1
			
M6x12		M4	

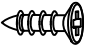
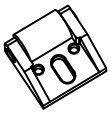
7



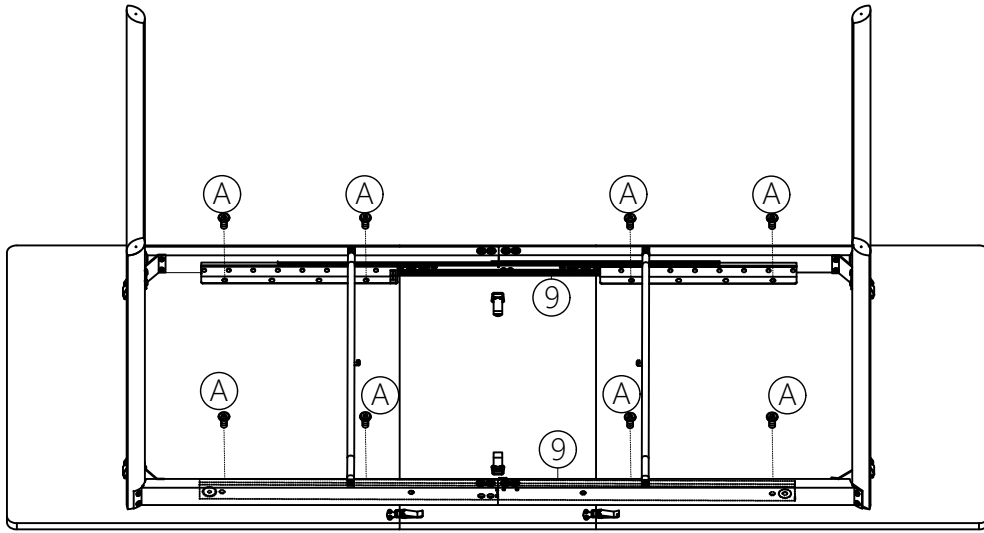
(A)	x 4	(K)	x 1
			
M6x12		M4	

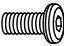

8



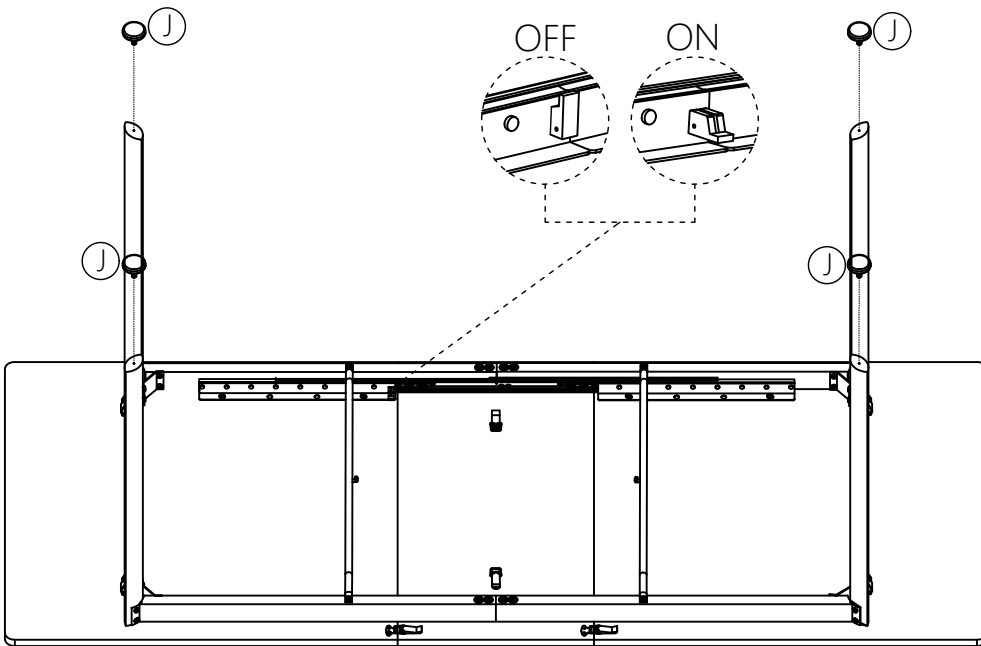
(C)	x 8	(G)	x 4
			
M4x14			

9



(A)	x 8	(K)	x 1
			
M6x12		M4	

10



(J)	x 4
