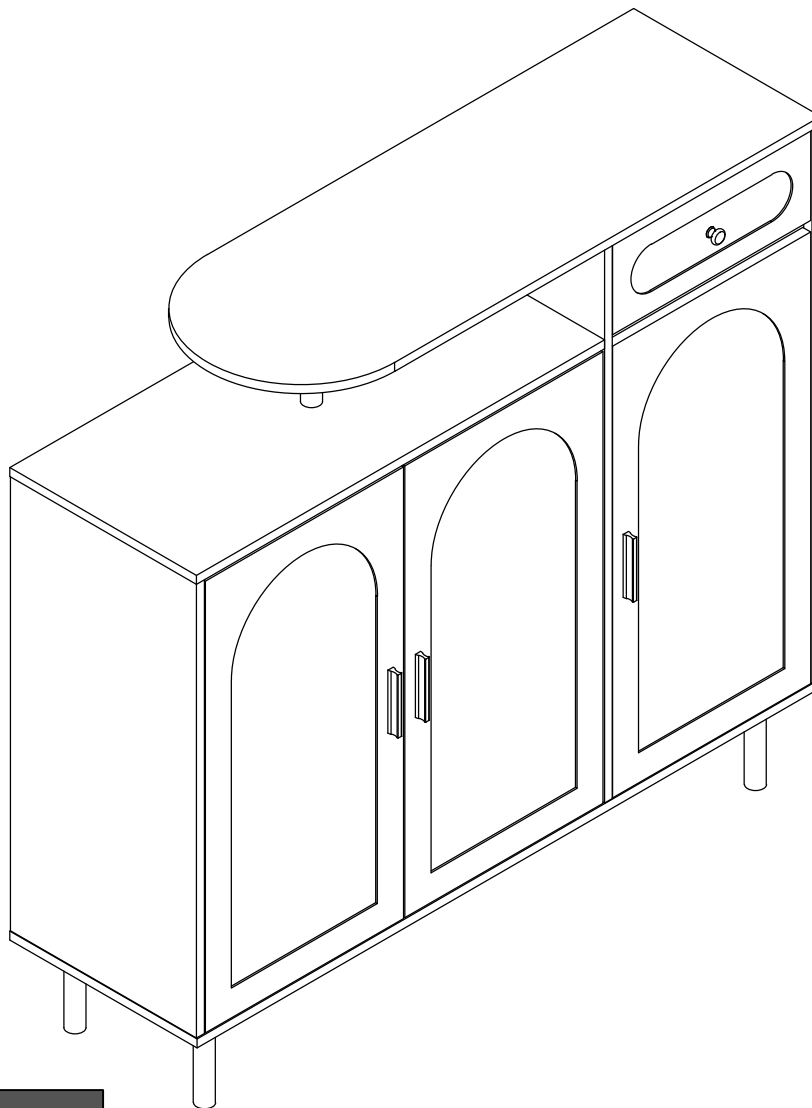


# Shoe Cabinet

Assembly Instructions - Please keep for future reference



## Dimensions

Width-47.24inch

Depth-14.17inch

Height-43.3inch

Important – Please read these instructions fully before starting assembly



# Safety and Care Advice

**Important – Please read these instructions fully before starting assembly**

- Check you have all the components and tools listed on the following pages.
- Remove all fittings from the plastic bags and separate them into their groups.
- Keep children and animals away from the work area, small parts could choke if swallowed.
- Make sure you have enough space to layout the parts before starting.

- During assembly do not stand or put weight on the product, this could cause damage.
- Assemble the item as close to its final position (in the same room) as possible.
- Assemble on a soft level surface to avoid damaging the unit or your floor.
- Parts of the assembly will be easier with 2 people.



power drill is set on a low torque setting.

- To reduce the likelihood of damaging your product please ensure that your

## Care and maintenance

- Only clean using a damp cloth and mild detergent, do not use bleach or abrasive cleaners.
- From time to time check that there are no loose screws on this unit.
- This product should not be discarded with household waste. Take to your local authority waste disposal centre.

## Handy Hints

- Assemble all parts and bolts loosely during assembly, only once the product is complete should you fully tighten the bolts
- Regularly check and ensure That all bolts and fittings are tightened properly.

**WARNING**  
**In order to help prevent overturning – please follow these instructions**

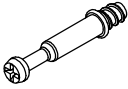

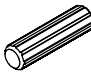

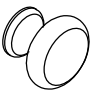

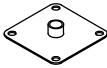



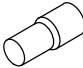

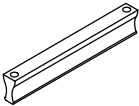


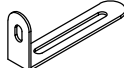

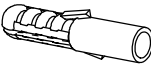
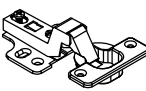


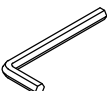



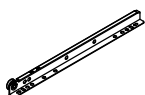
To help prevent product toppling over please follow the below steps:-

- Use the anti tip stap or wall fixing method provided (if applicable)
- Do not allow children to climb or hang on the furniture
- Do not open more than one drawer at a time
- Do not place heavy items in the top drawers
- Do not place heavy items on top of the furniture, unless the furniture has been designed for this purpose

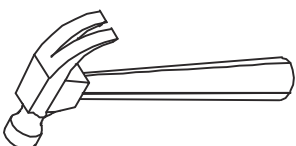
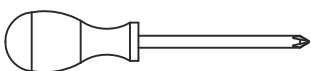
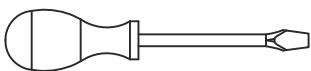
# Components - Fittings

Please check you have all the panels listed below

Note: The quantities below are the correct amount to complete the assembly. In some cases more fittings may be supplied than are required.

 Cam Bolt x 32+2	 Cam lock x 32+2	 Dowel x 22+2	 4*35mm Screw x 6
 Handle x 1	 3.5*12mm Screw x 8	 Iron sheet x 5	 Adjusting the feet x 1
 3.5*14mm Screw x 36+3	 4*40mm Screw x 1	 Laminated pallet x 16	 4*18mm Screw x 6
 Handle x 3	 Back Panel Buckle x 16	 3*16mm Screw x 16	 Anti tipping iron sheet x 2
 4*12mm Screw x 24	 Plastic expansion x 2	 Hingex 6	 4*16mm Screw x 1
 7*50mm Screw x 6	 Internal hexagonal wrench x 1		
 300mm runner x 1	 300mm runner x 1	 300mm runner x 1	 300mm runner x 1

## Tools required

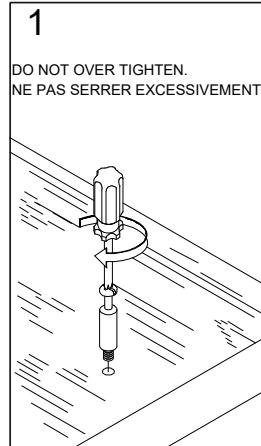


Phillips screwdriver  
(medium & large)

# Using Camlocks

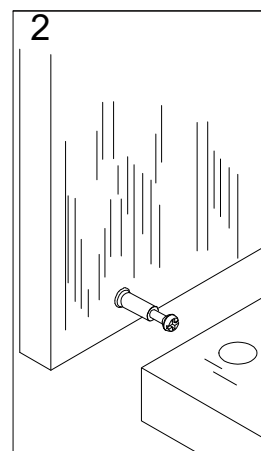
## Step 1

Connect the male camlock as directed in the assembly instructions using a screwdriver.



## Step 2

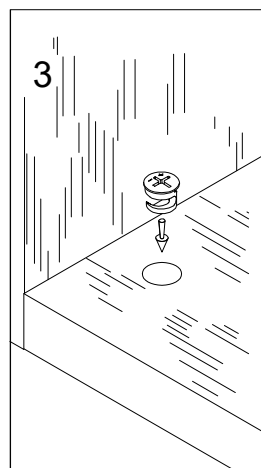
Push the male camlock into the entry hole.



## Step 3

Insert the female camlock as shown in the instruction.

Note: ensure that the arrow on the top of the camlock points towards the entry hole for the male camlock.

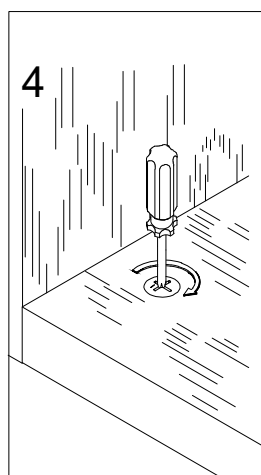


## Step 4

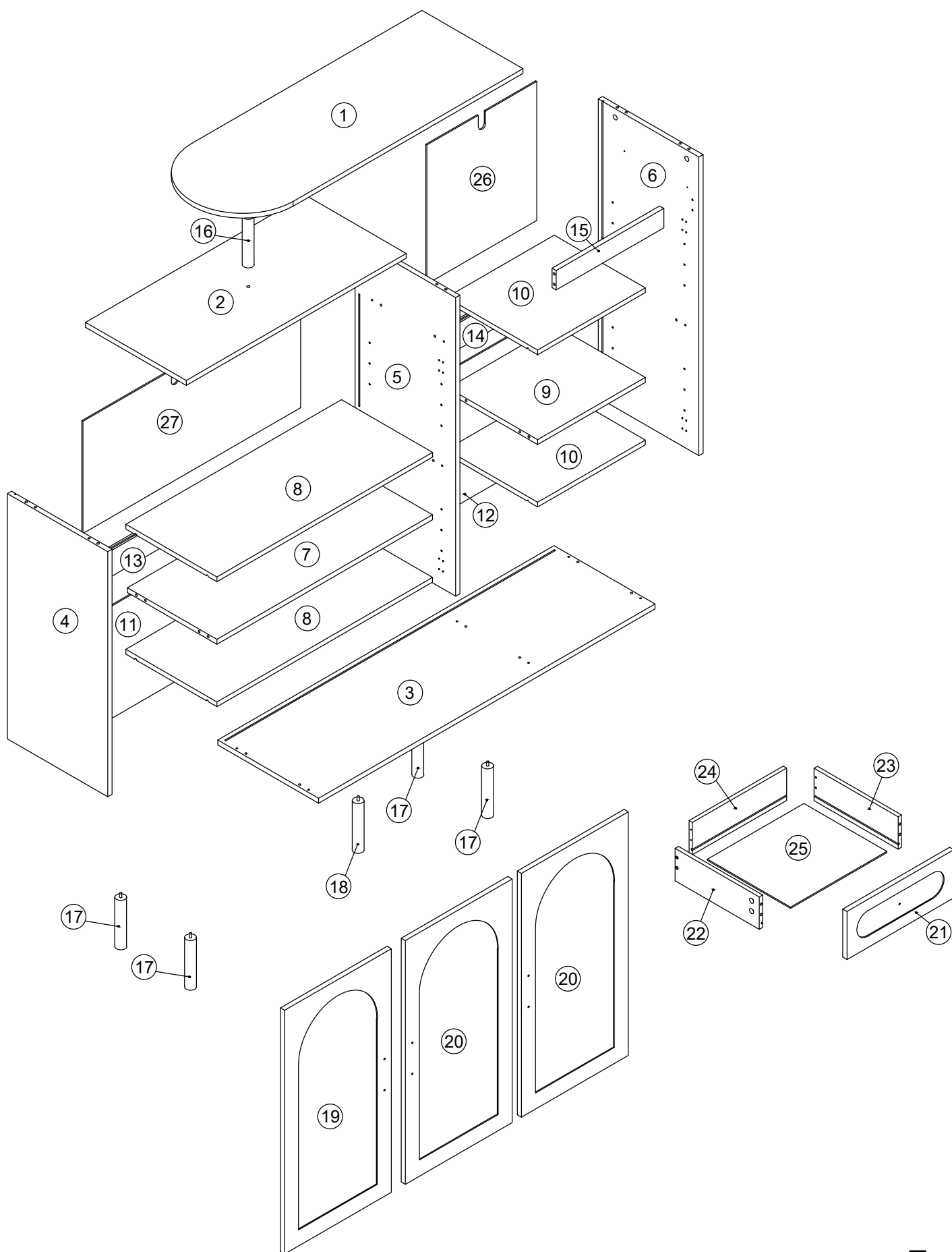
Turn the female camlock clockwise with a screwdriver.

You should feel a click when the camlock is locked in place.

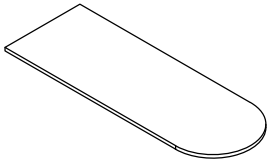
The joint is now secure.



# Assembly Instructions

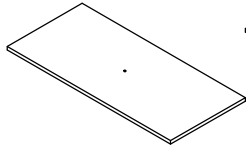


# PART LIST



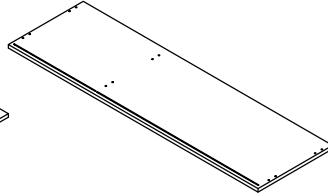
① X1

Top panel  
1000x360x15mm



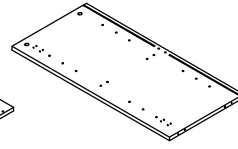
② X1

Middle panel  
783.6x359x15mm



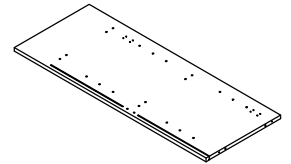
③ X1

Bottom  
1200x360x15mm



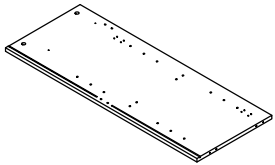
④ X1

Left side panel  
757x358x15mm



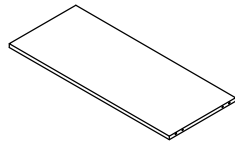
⑤ X1

Middle side panel  
922x359x15mm



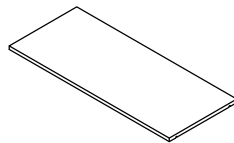
⑥ X1

Right side panel  
922x359x15mm



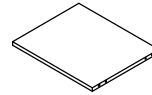
⑦ X1

Left fixed layer board  
767.6x319.5x15mm



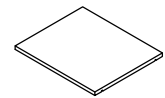
⑧ X2

Left activity layer board  
766.6x325x15mm



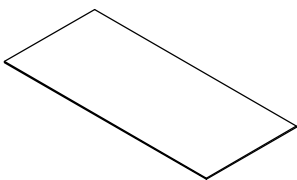
⑨ X1

Right fixed layer board  
385.4x325x15mm



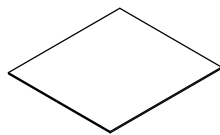
⑩ X2

Right activity layer board  
384.4x325x15mm



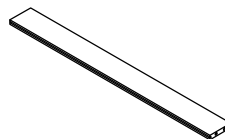
⑪ X1

Left back panel  
777x348x3mm



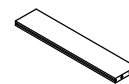
⑫ X1

Lower right back panel  
430x395x3mm



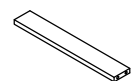
⑬ X1

Left back brace  
767.6x80x15mm



⑭ X1

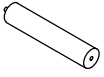
Right back brace  
385.4x80x15mm



⑮ X1

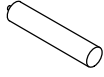
Right front pull rod  
385.4x60x15mm

# PART LIST



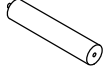
①⑥ X1

Column  
30x30x150mm



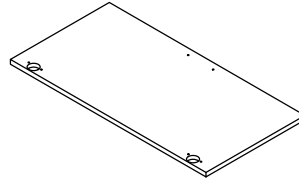
①⑦ X4

Foot  
30x30x153mm



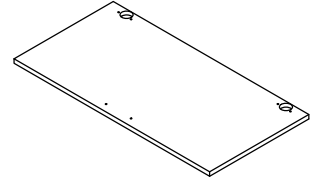
①⑧ X1

Midfoot  
30x30x150mm



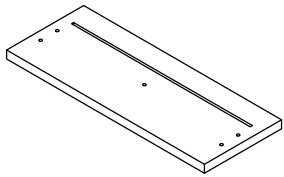
①⑨ X1

Door  
751x379.3x15mm



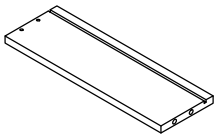
②⑩ X2

Door  
751x379.3x15mm



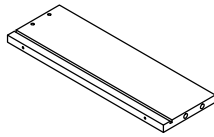
②① X1

Draw panel  
379.3x147x15mm



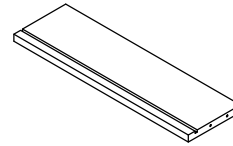
②② X1

Drawer left panel  
300x100x15mm



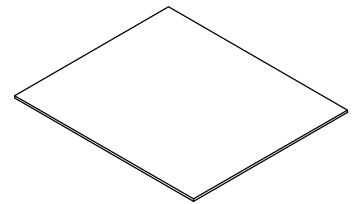
②③ X1

Drawer right panel  
300x100x15mm



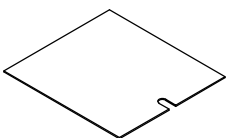
②④ X1

Drawer back panel  
336.4x100x12mm



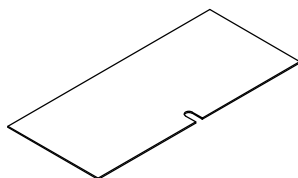
②⑤ X1

Drawer bottom plate  
345x296x3mm



②⑥ X1

Right upper back panel  
430x395x3mm

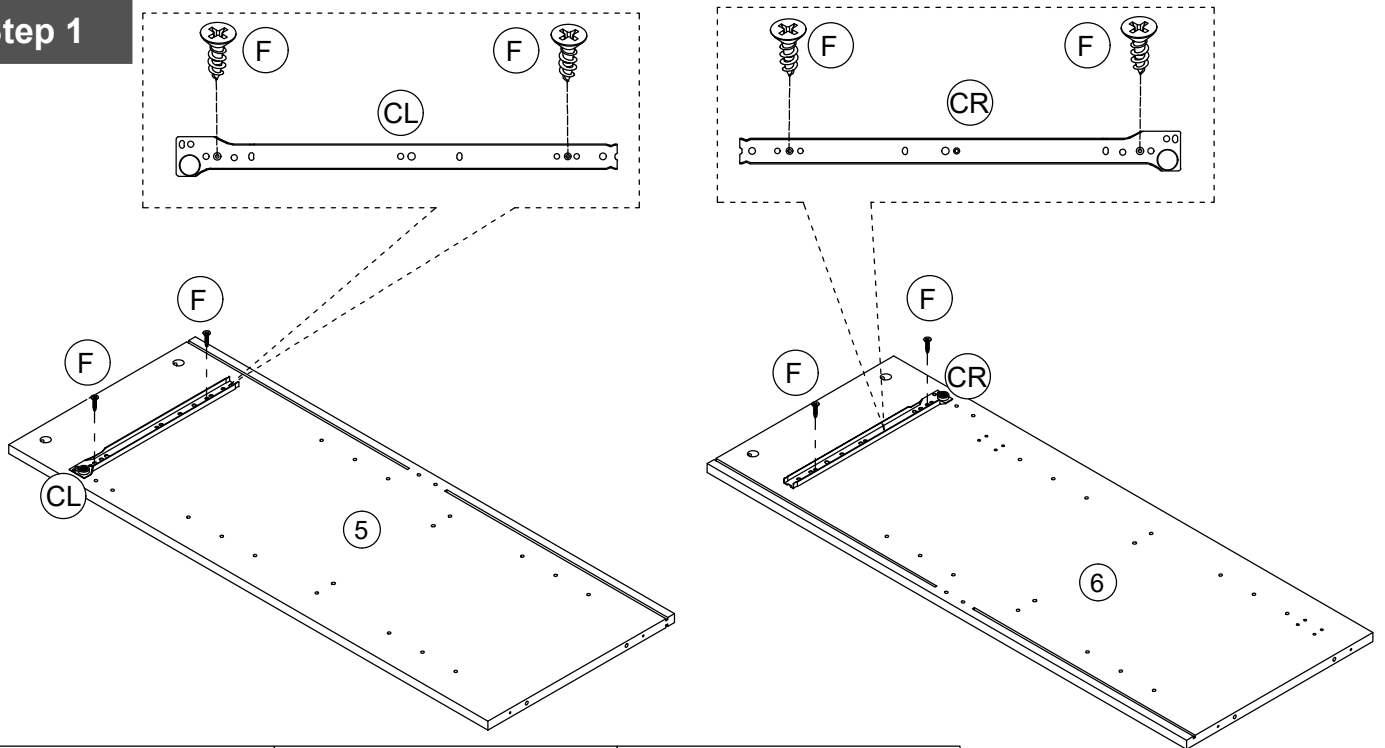


②⑦ X1

Left back panel  
777x348x3mm

# Assembly Instructions

## Step 1



(F)



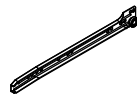
3.5\*12mm Screw x 4

(CL)



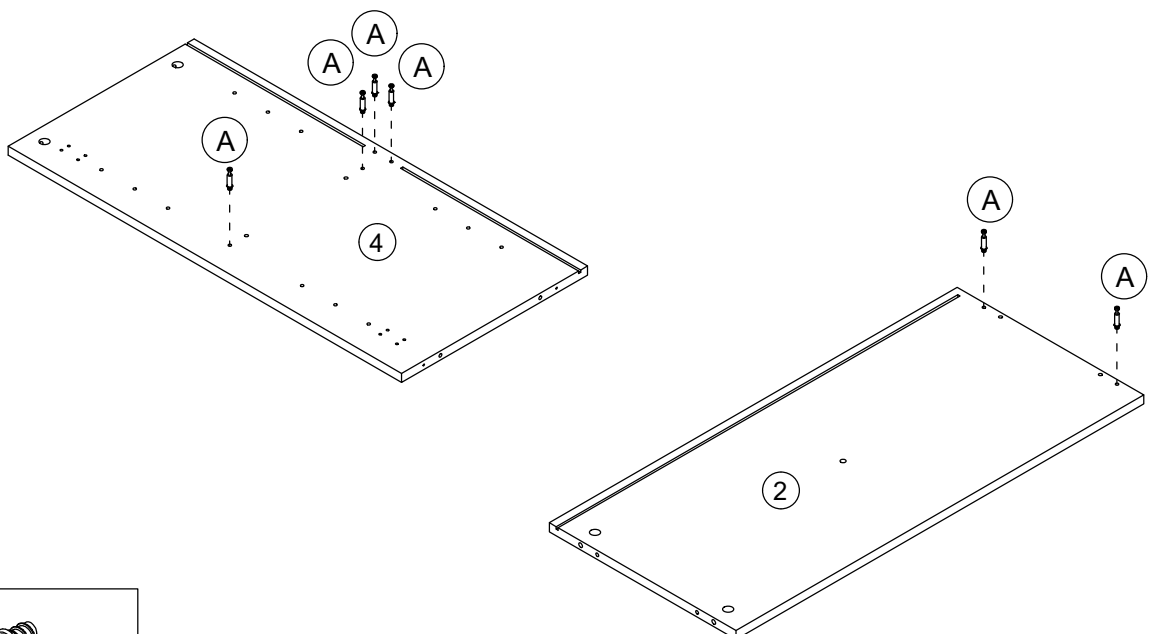
300mm runner x 1

(CR)

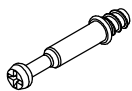


300mm runner x 1

## Step 2



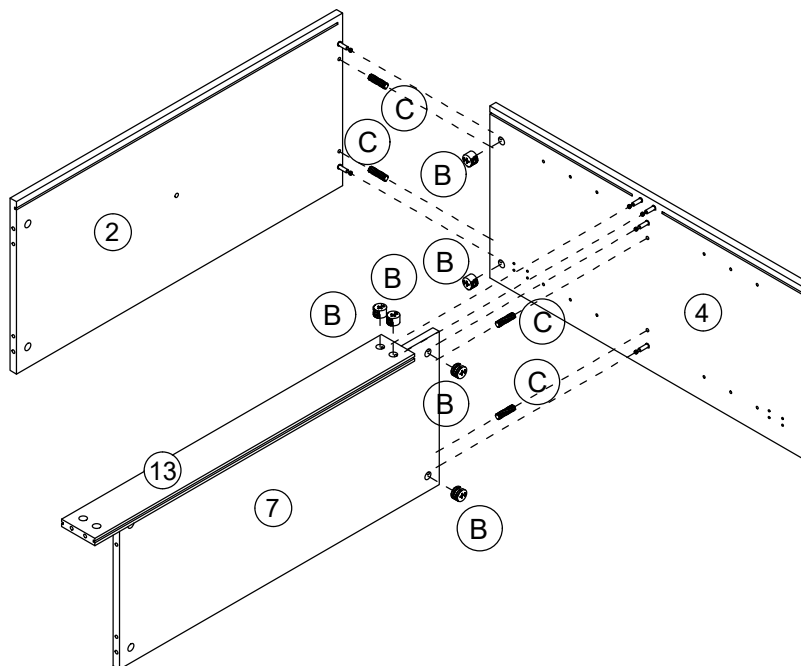
(A)



Cam Bolt x 6

# Assembly Instructions

## Step 3



B



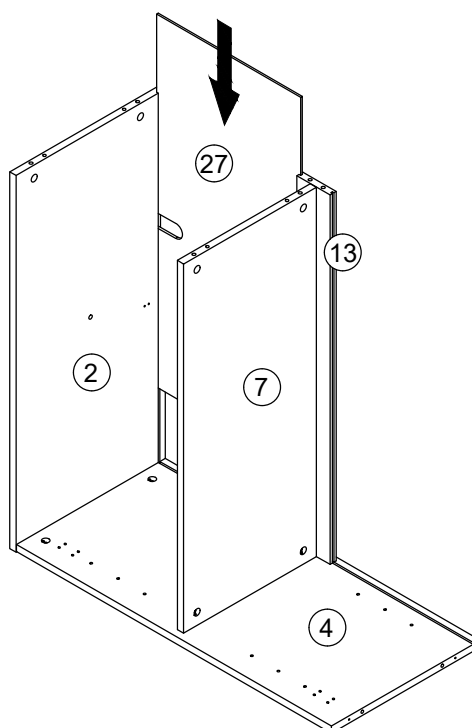
Cam lock x 6

C



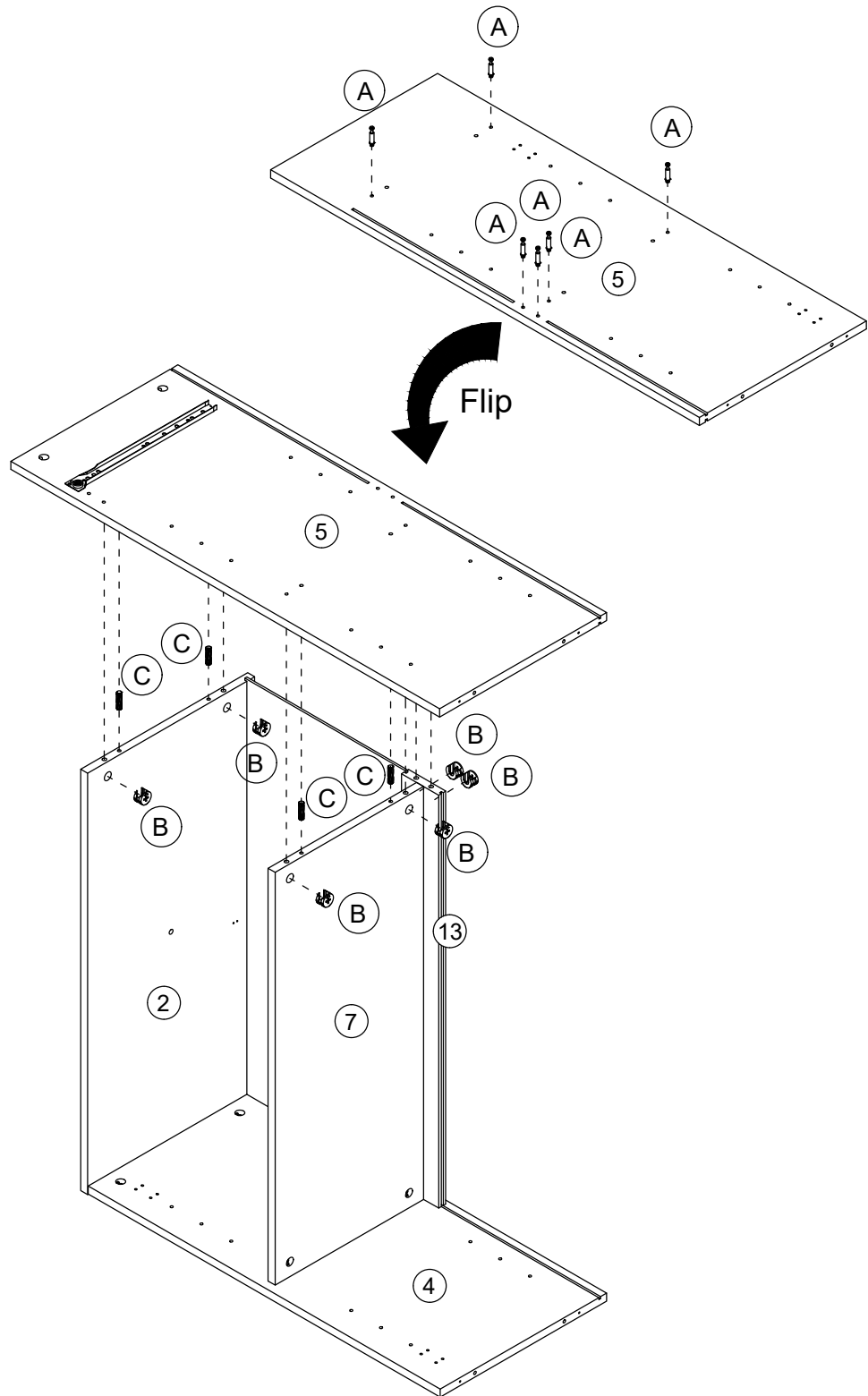
Dowel x 4

## Step 4

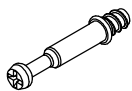


# Assembly Instructions

## Step 5



A



Cam Bolt x 6

B



Cam lock x 6

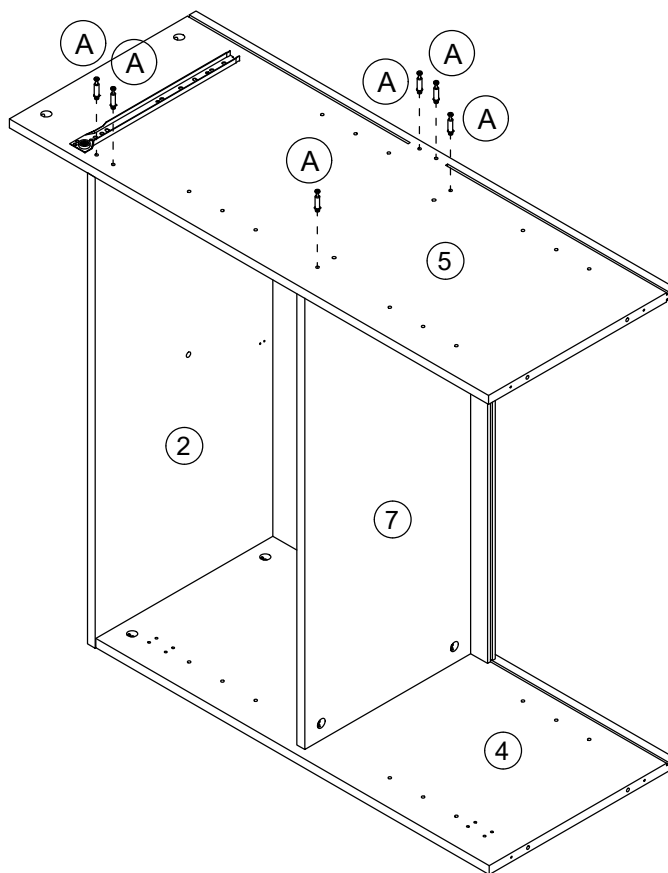
C



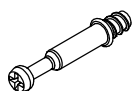
Dowel x 4

# Assembly Instructions

## Step 6

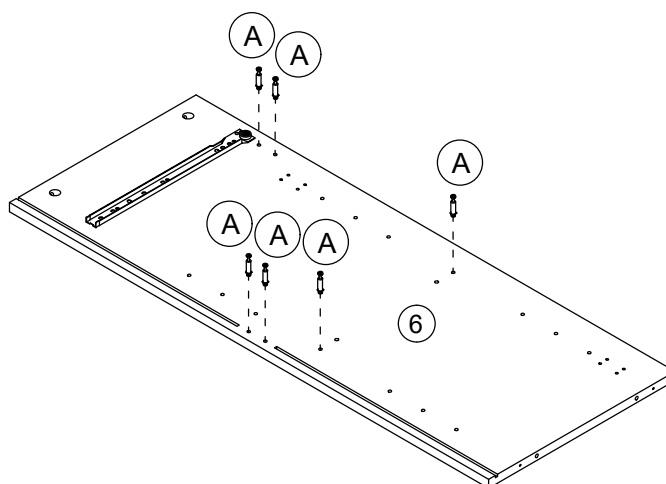


A

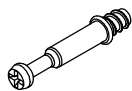


Cam Bolt x 6

## Step 7



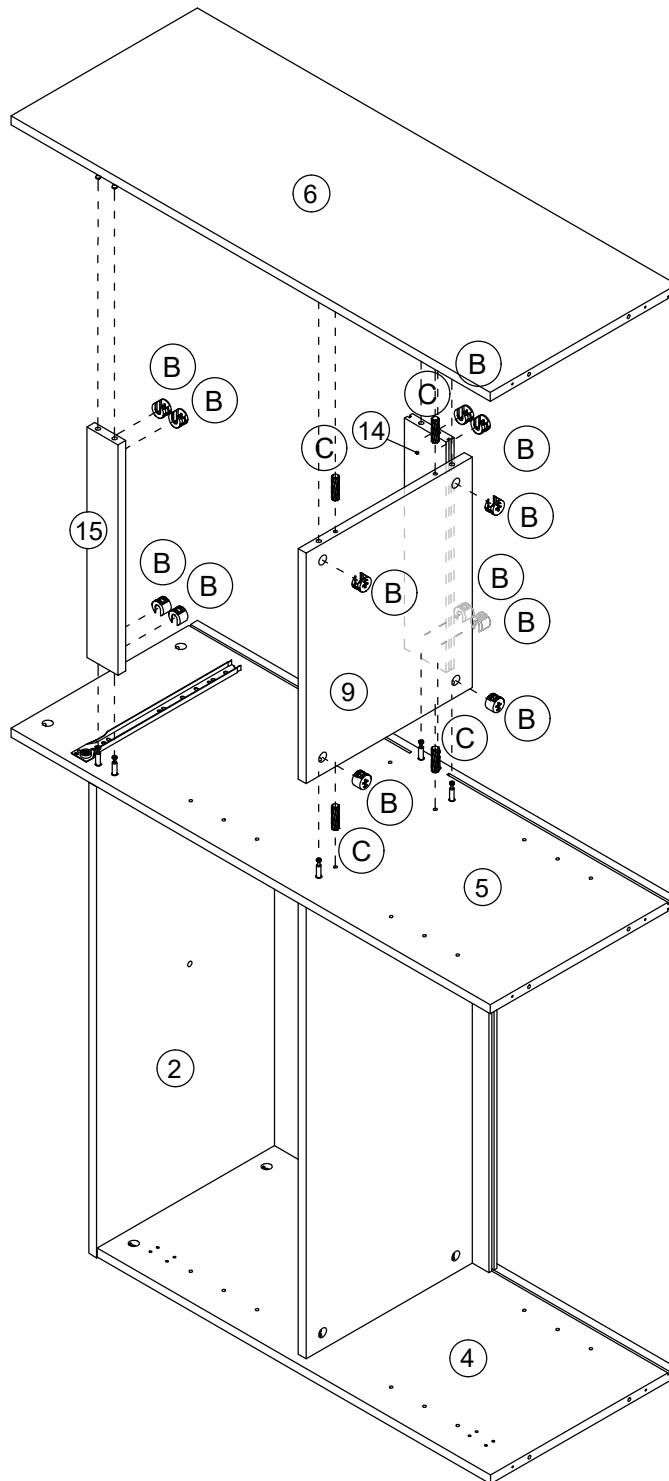
A



Cam Bolt x 6

# Assembly Instructions

## Step 8



B



Cam lock x 12

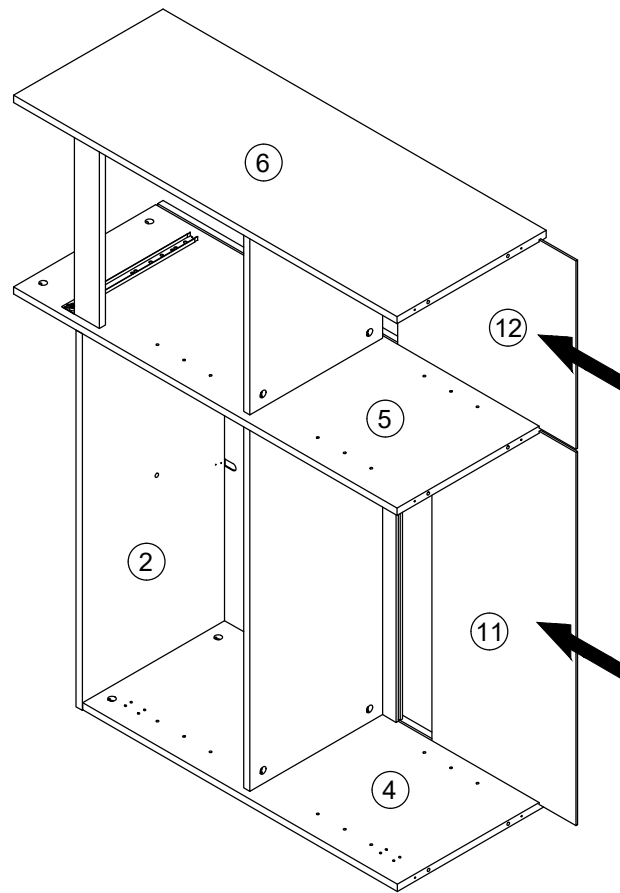
C



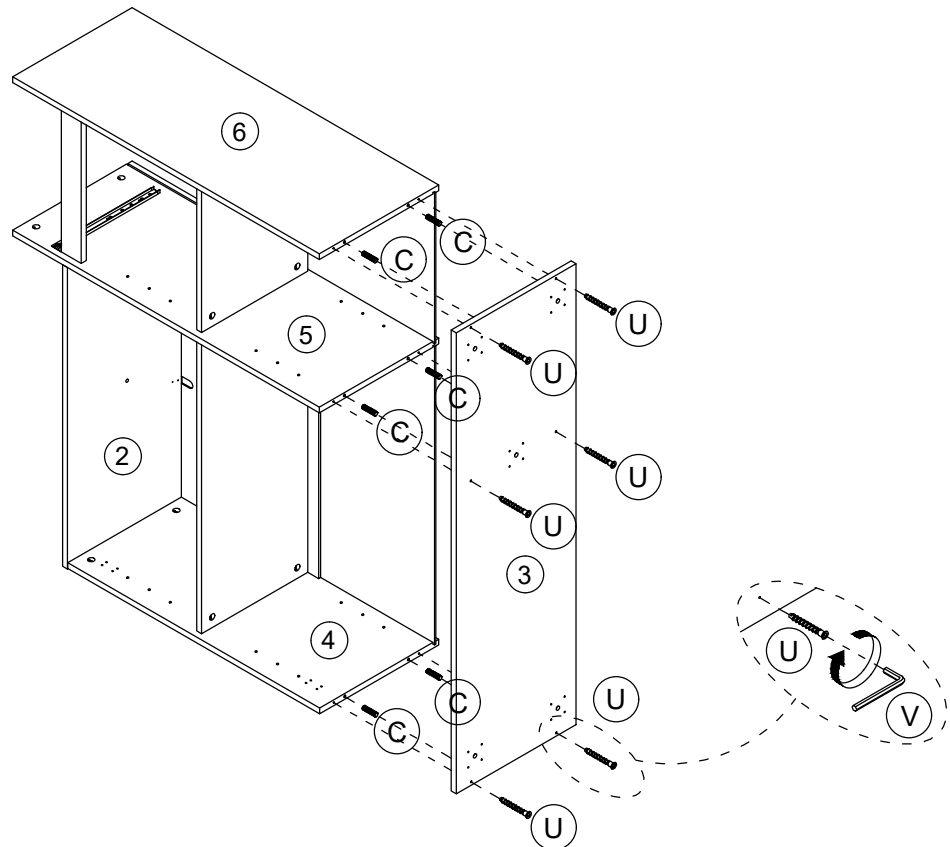
Dowel x 4

# Assembly Instructions

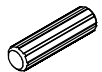
## Step 9



## Step 10



C



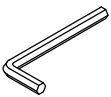
Dowel x 6

U



7\*50mm Screw x 6

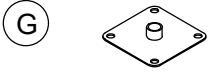
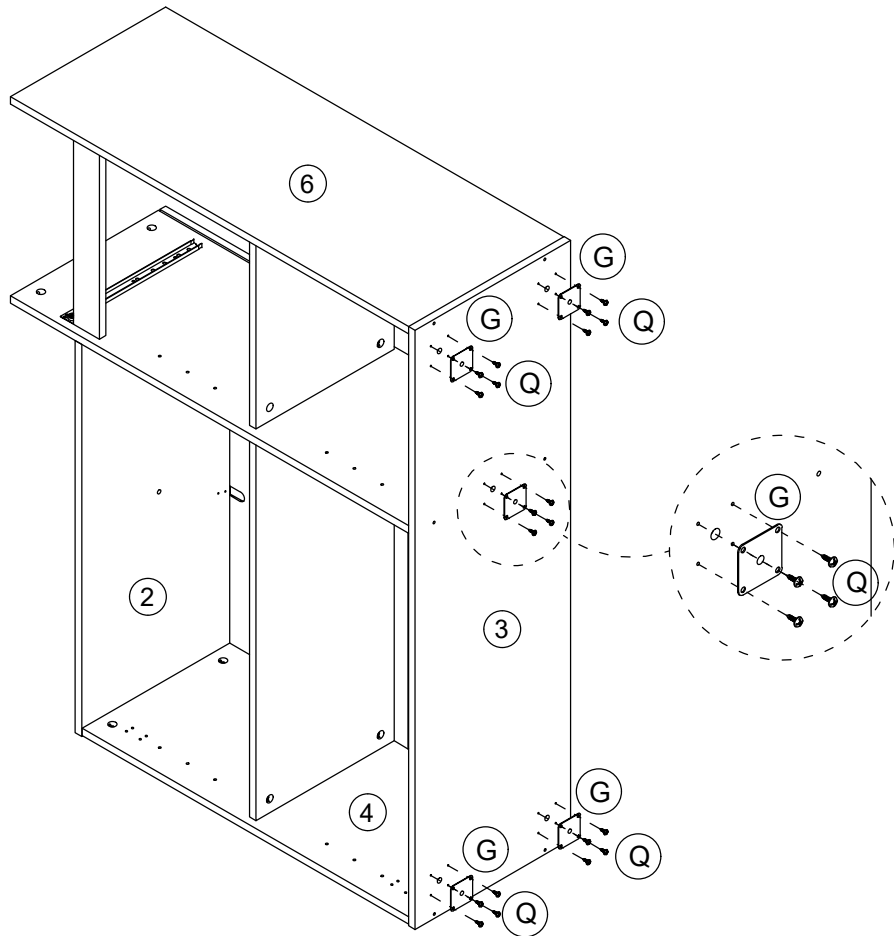
V



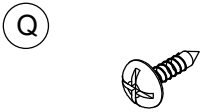
Internal hexagonal  
wrench x 1

# Assembly Instructions

## Step 11

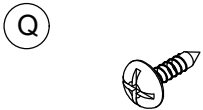
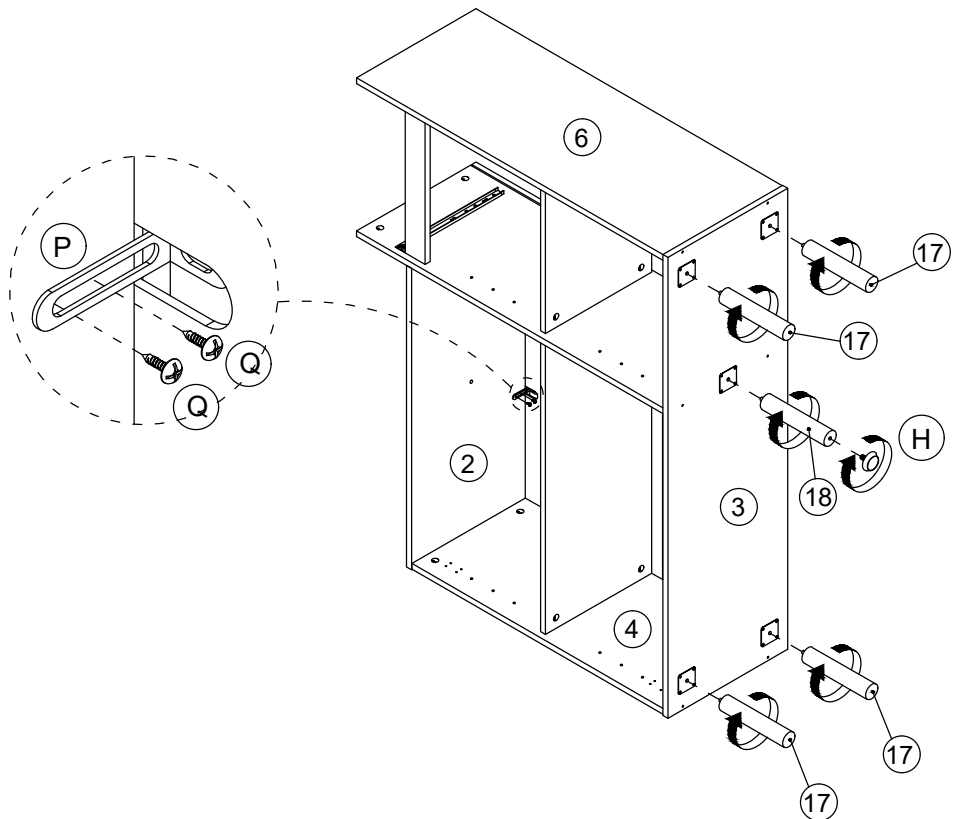


Iron sheet x 5

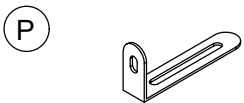


4\*12mm Screw x 20

## Step 12



4\*12mm Screw x 2



Anti tipping iron sheet x 1

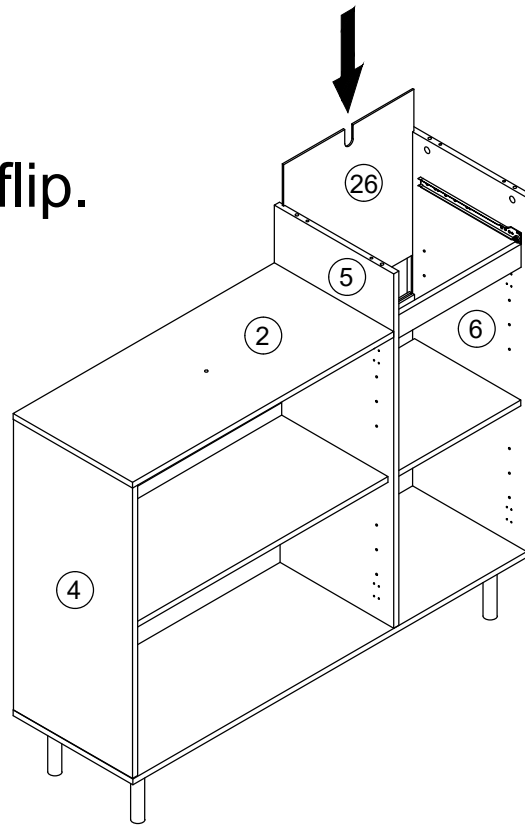


Adjusting the feet x 1

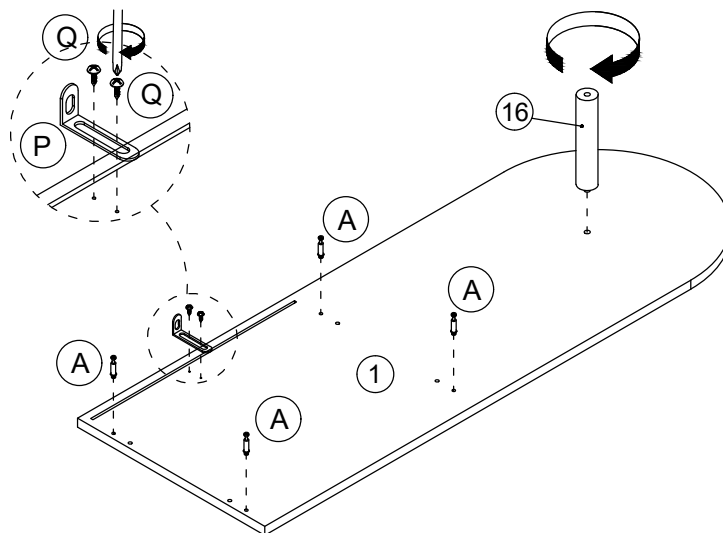
# Assembly Instructions

## Step 13

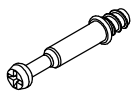
Please be careful with the flip.



## Step 14

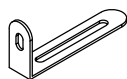


(A)



Cam Bolt x 4

(P)



Anti tipping iron sheet x 1

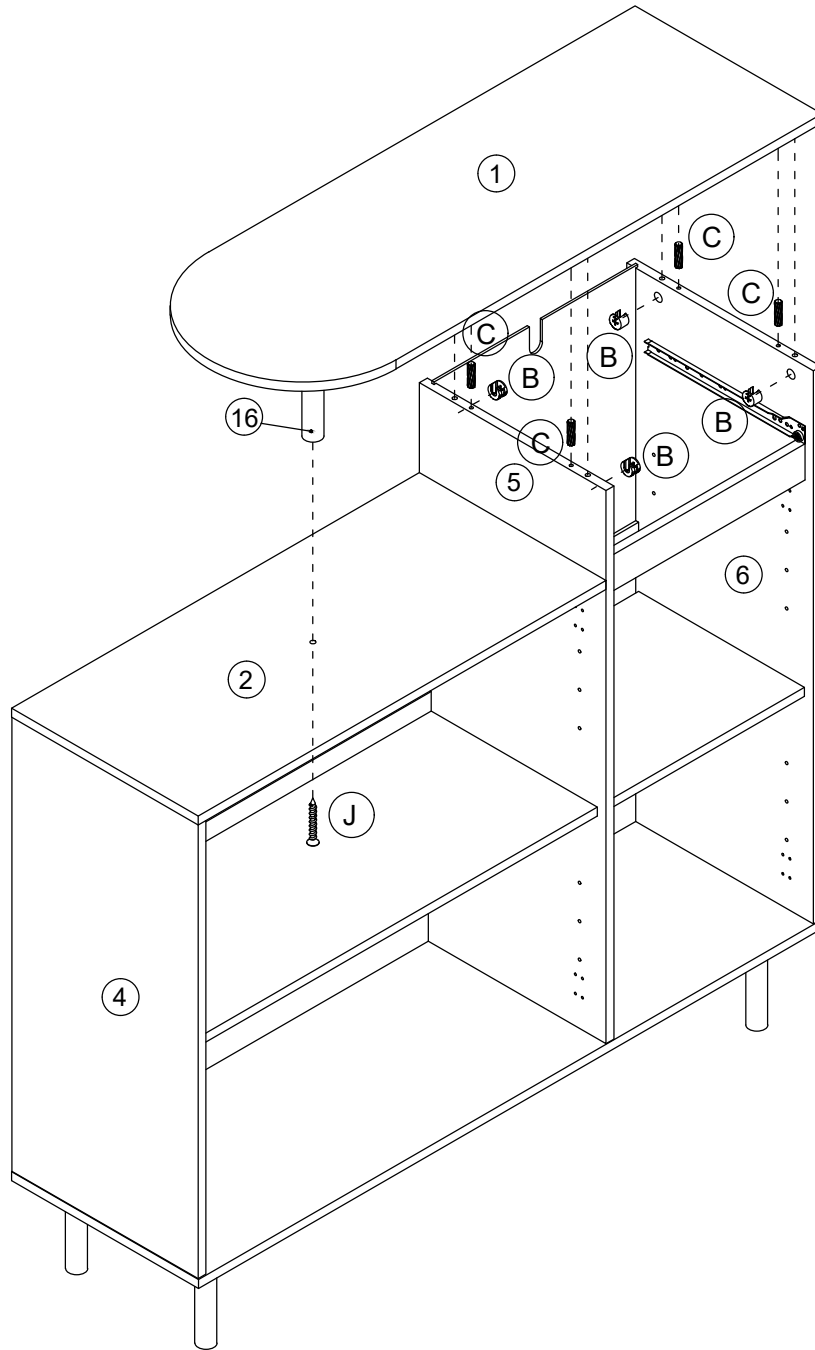
(Q)



4\*12mm Screw x 2

# Assembly Instructions

## Step 15



B



Cam lock x 4

C



Dowel x 4

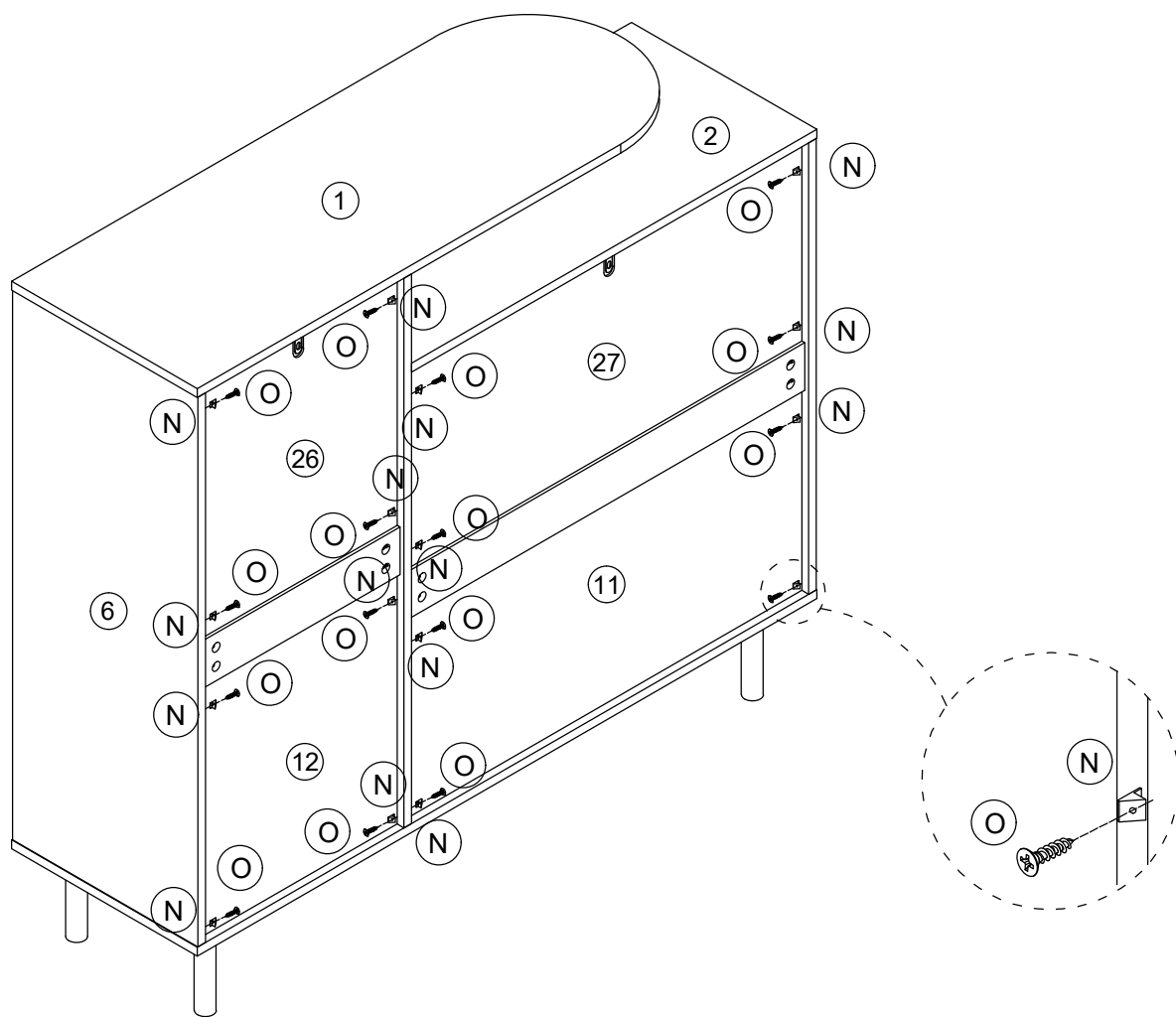
J

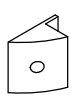



4\*40mm Screw x 1

# Assembly Instructions

## Step 16



<p>(N) </p> <p>Back Panel Buckle x 16</p>	<p>(O) </p> <p>3*16mm Screw x 16</p>
--	---

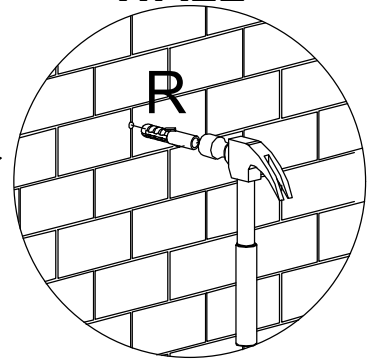
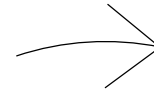
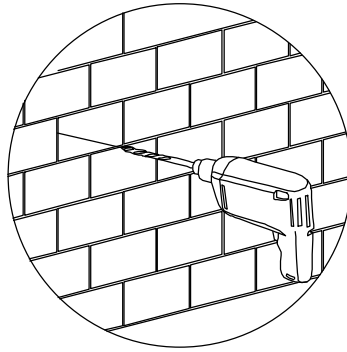
# Assembly Instructions

## Step 17

WALL

WALL

WALL

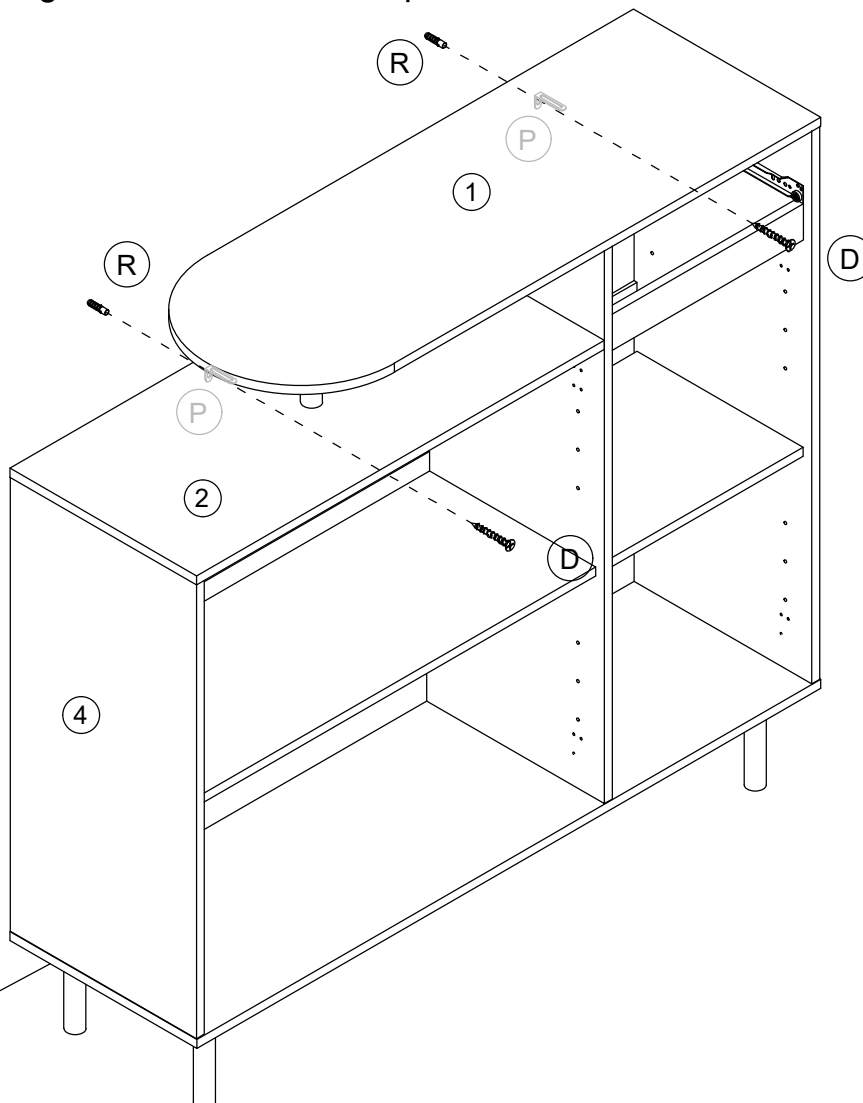


x2

Please choose a suitable location to place the shoe cabinet onto the wall

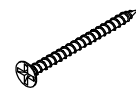
First, place the shoe cabinet against the wall to find the correct position corresponding to P, drill holes in the wall, and bury the hardware R into the wall;

Second, place the shoe cabinet against the wall, align the holes in P with R, screw D through the holes in the iron piece P into R;



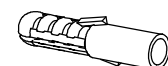
You can skip this step if you don't want to put your shoe cabinet on the wall

(D)



4\*35mm Screw x 2

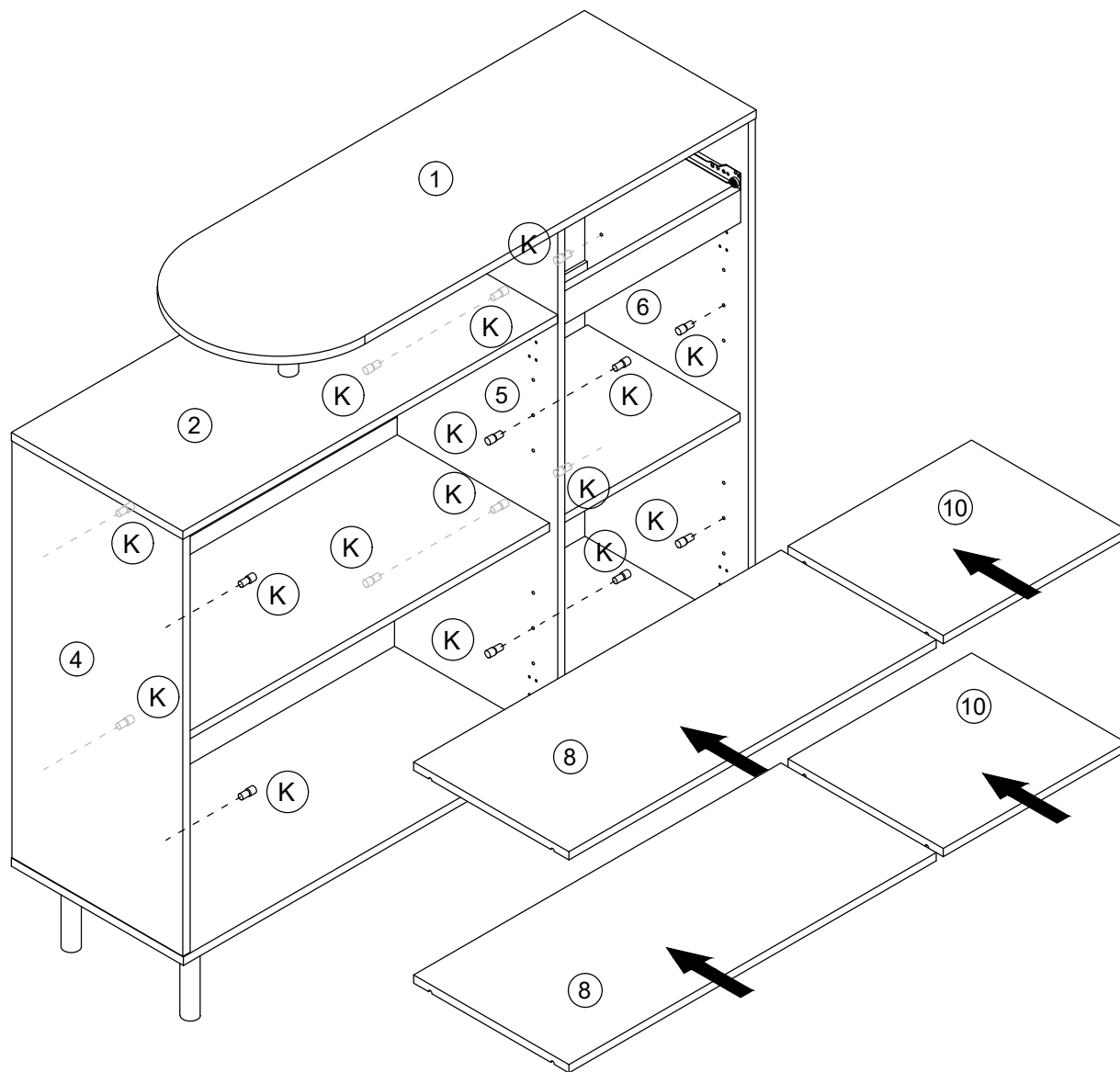
(R)



Plastic expansion x 2

# Assembly Instructions

## Step 18



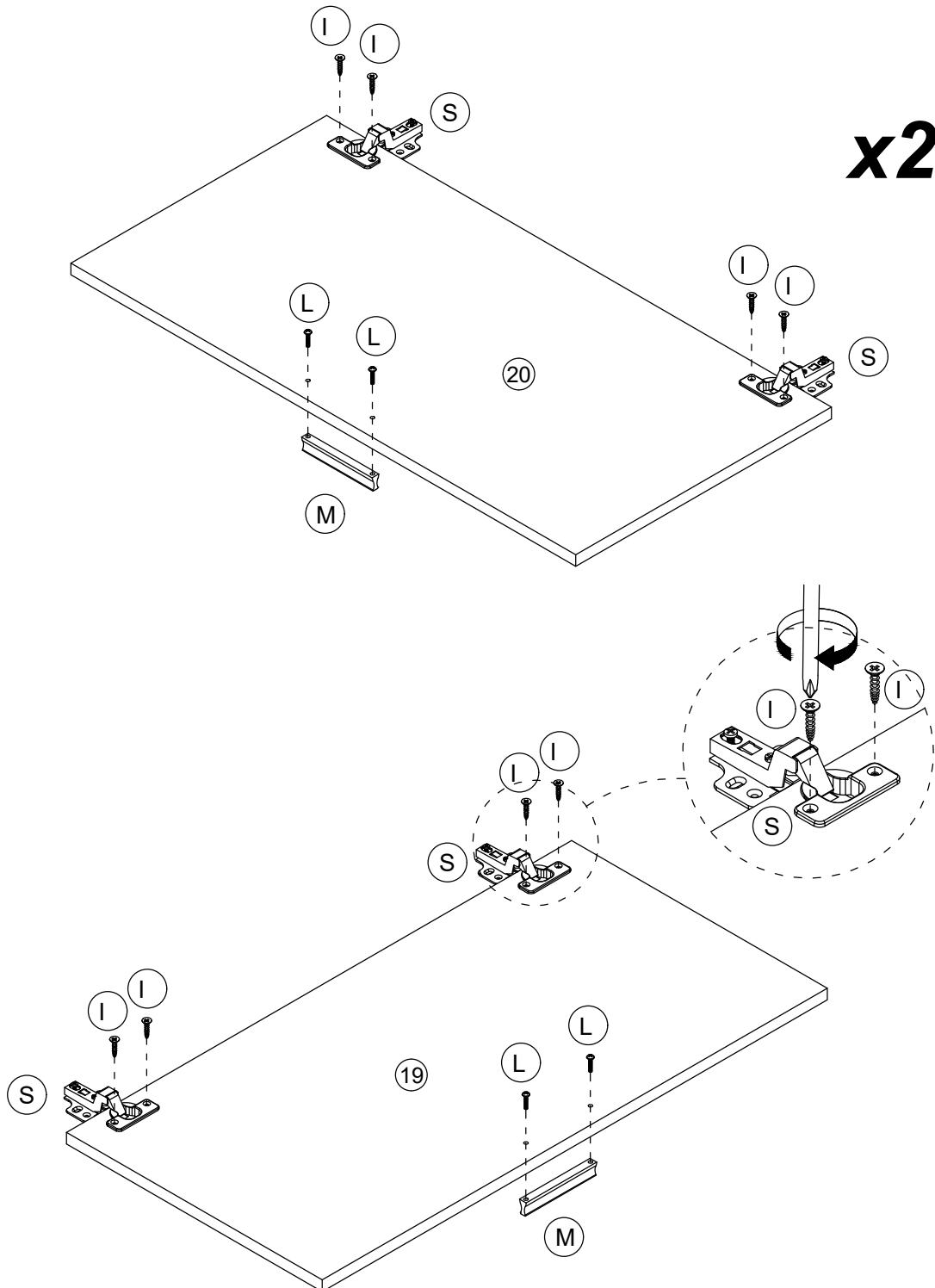
(K)



Laminated pallet x 16

# Assembly Instructions

## Step 19



I



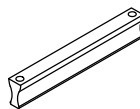
3.5\*14mm Screw x 12

L



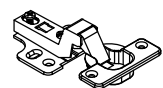
4\*18mm Screw x 6

M



Handle x 3

S

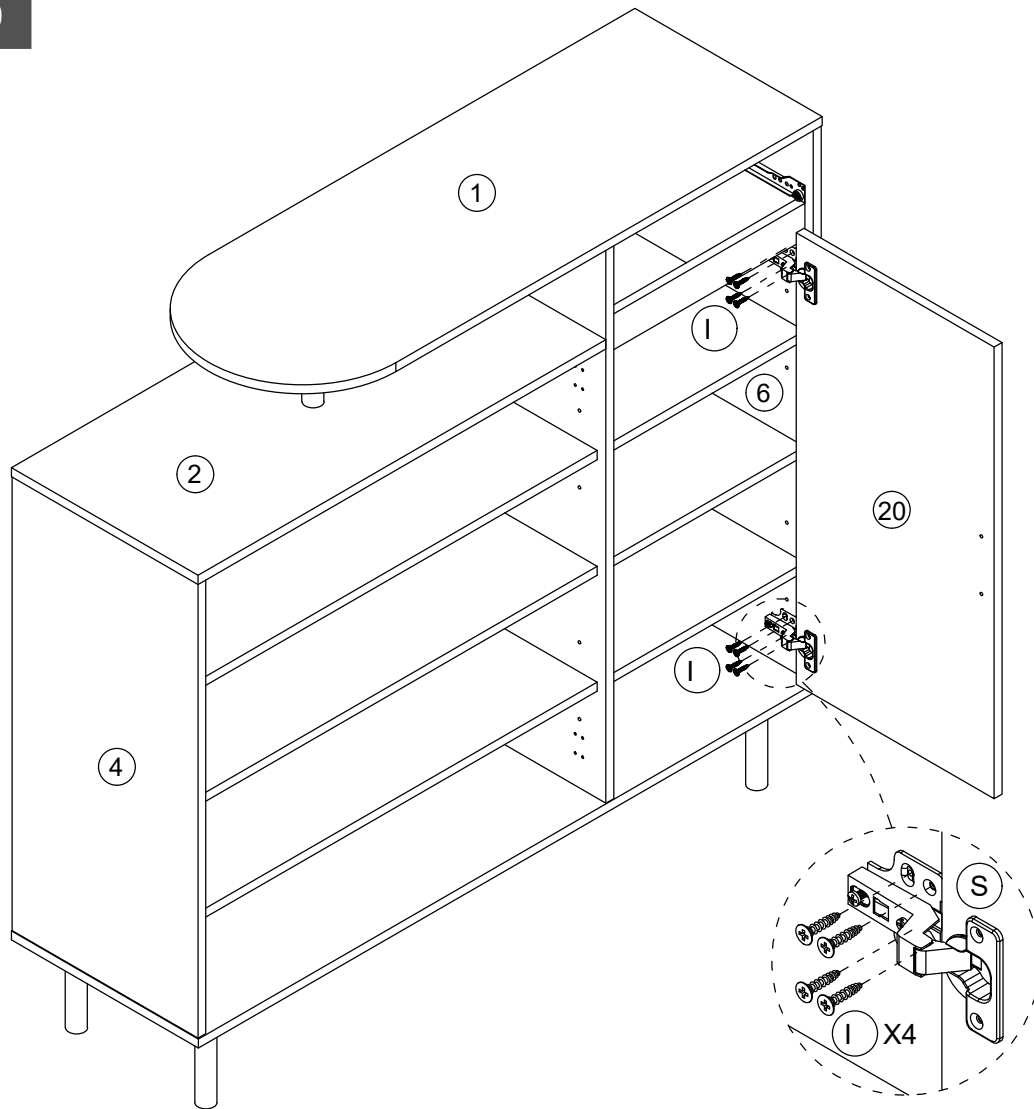


Hingex 6

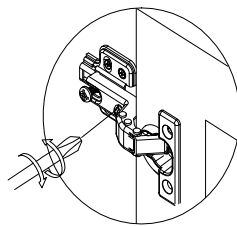
20

# Assembly Instructions

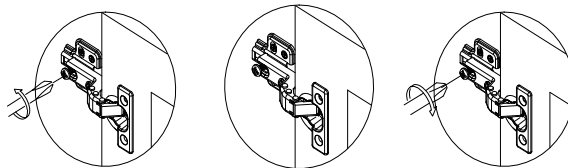
## Step 20



If the door can't close, please adjust the hinges.



This is used to adjust the door panel in the up and down direction.



This is used to adjust the door panel in the front and back direction: Loosen the screw first, and then tighten screw after adjusting the door panel to the proper position.

I

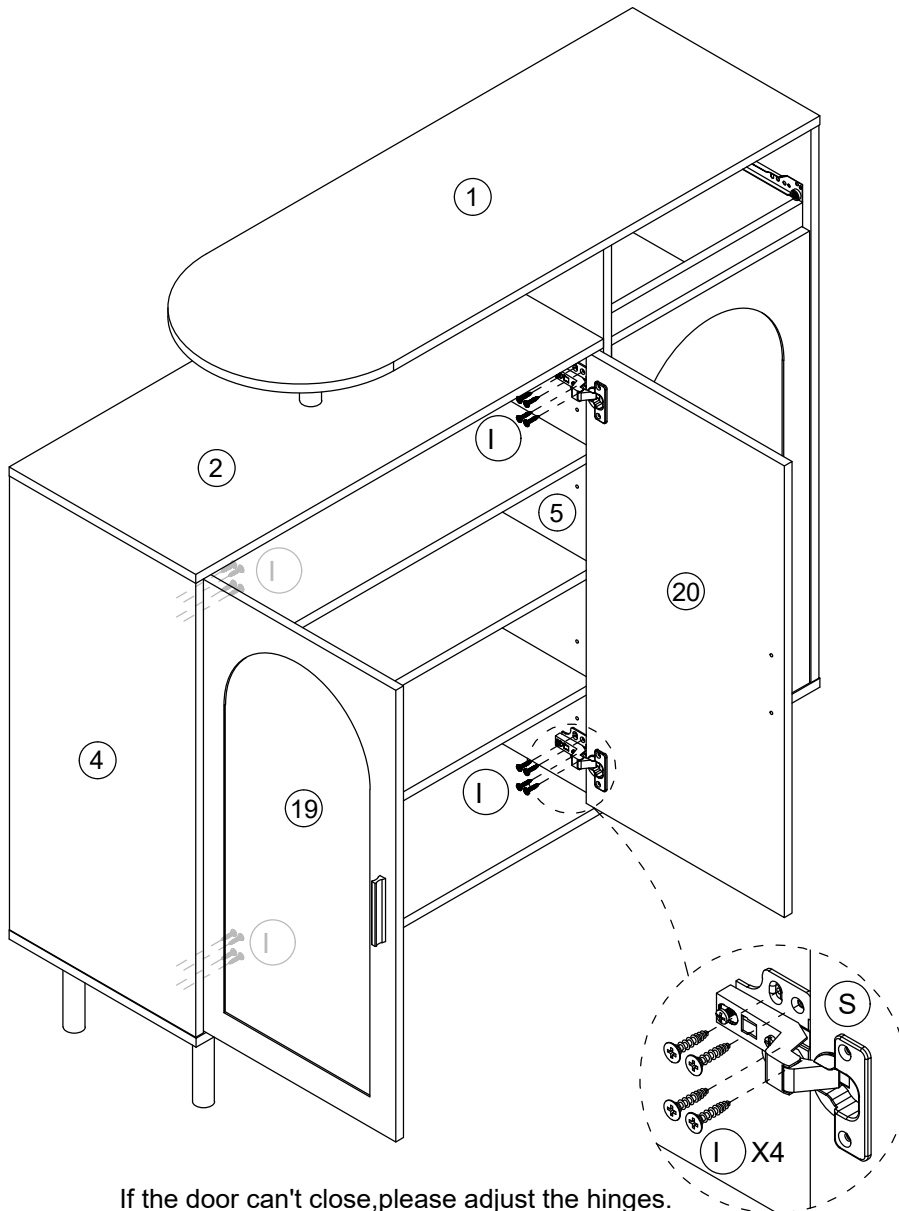


3.5\*14mm Screw x 8

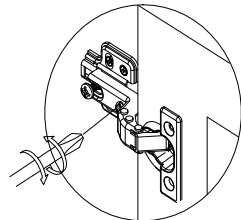
x 2

# Assembly Instructions

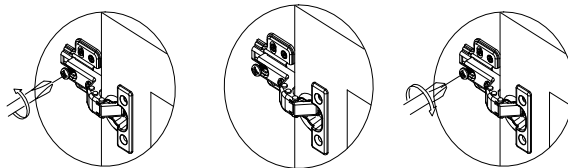
## Step 21



If the door can't close, please adjust the hinges.



This is used to adjust the door panel in the up and down direction.



This is used to adjust the door panel in the front and back direction: Loosen the screw first, and then tighten screw after adjusting the door panel to the proper position.

I

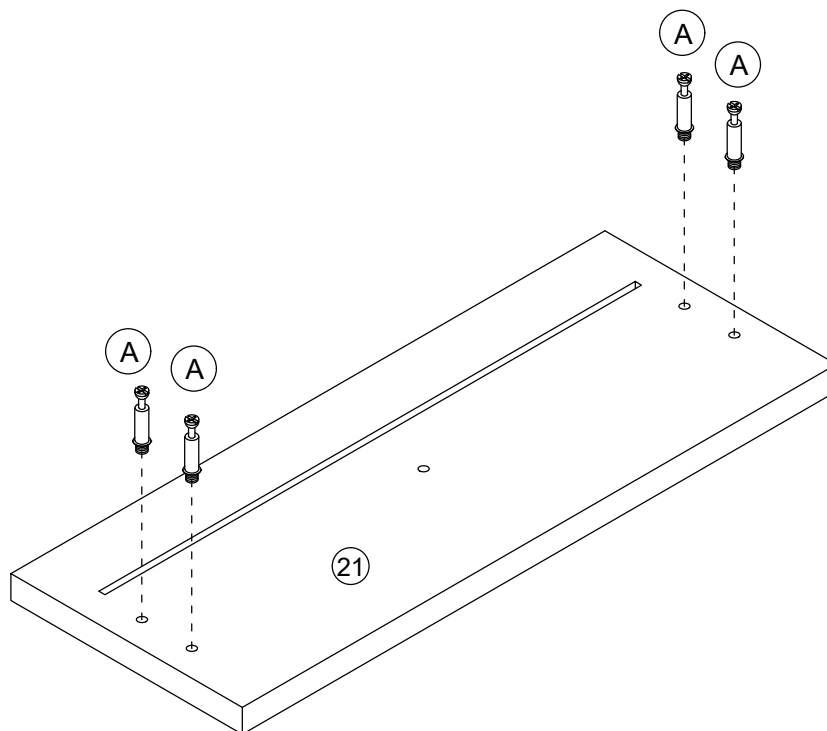


3.5\*14mm Screw x 16

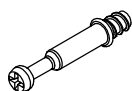
x 4

# Assembly Instructions

## Step 22

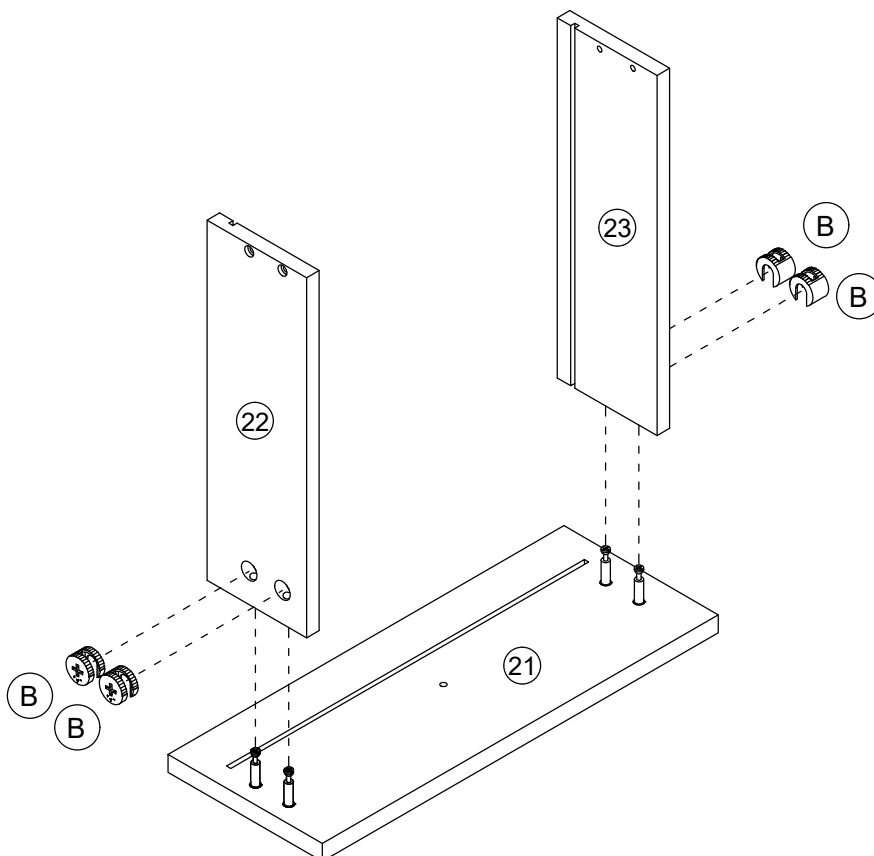


A



Cam Bolt x 4

## Step 23



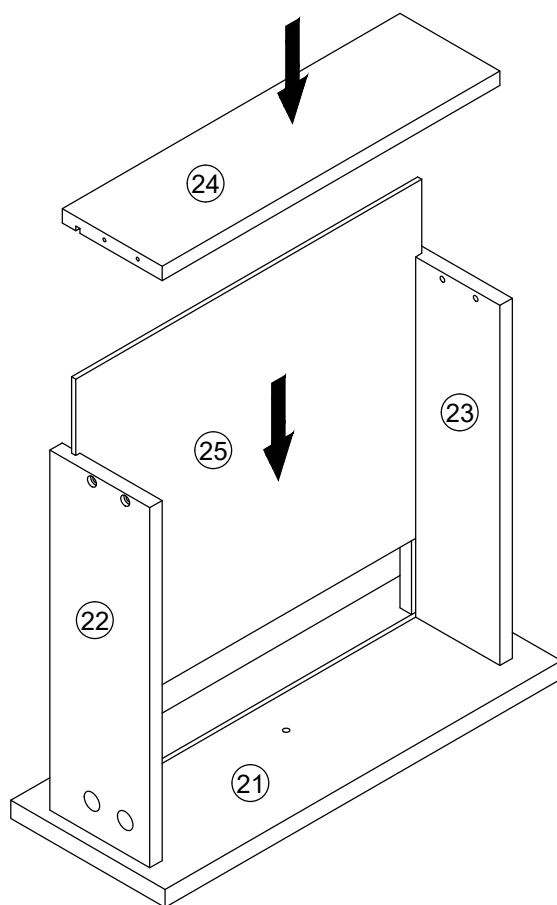
B



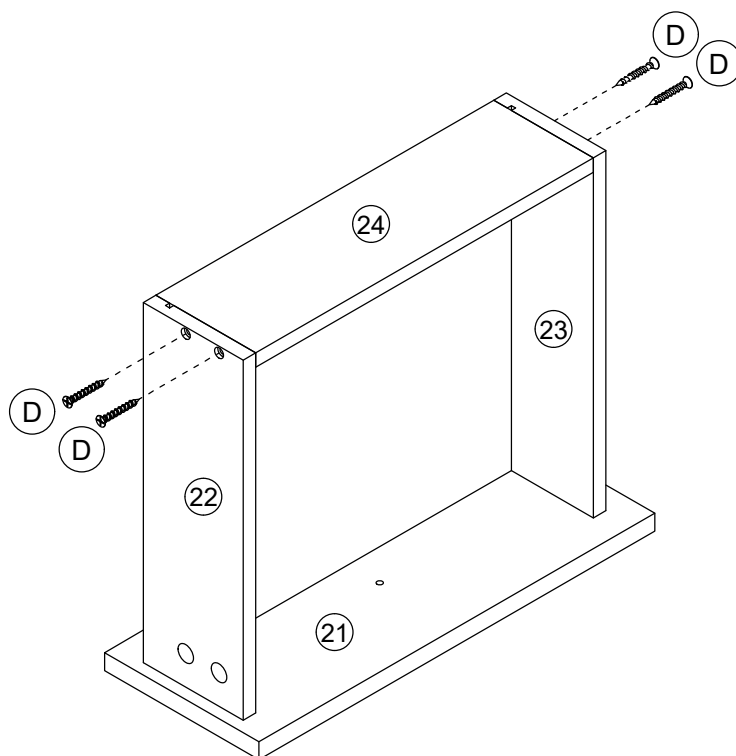
Cam lock x 4

# Assembly Instructions

## Step 24



## Step 25



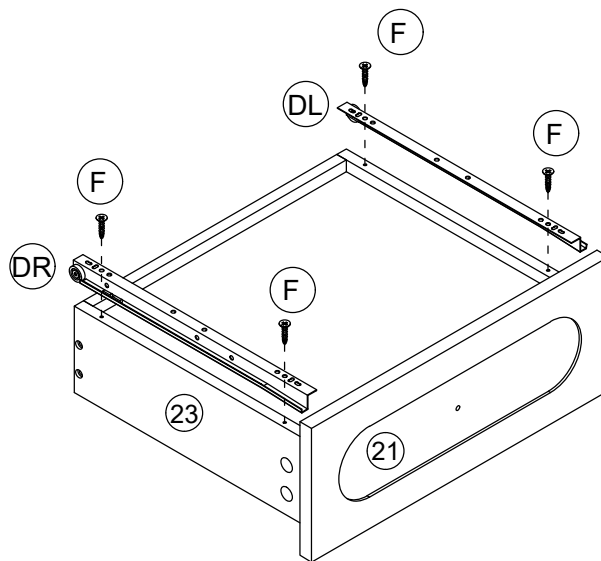
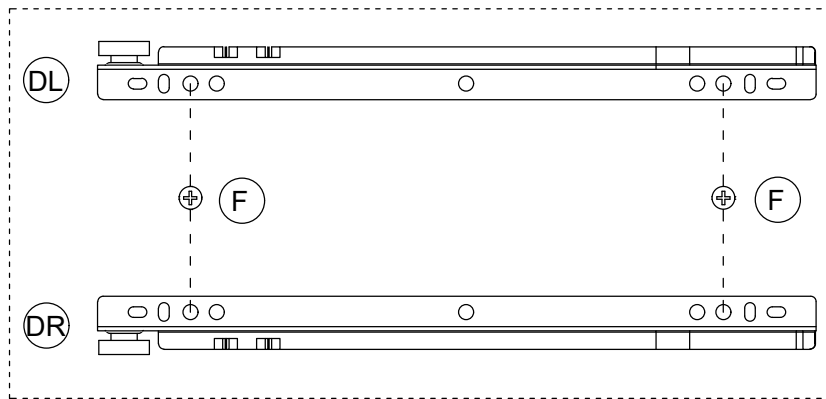
D



4\*35mm Screw x 4

# Assembly Instructions

## Step 26

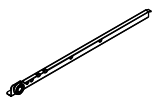


F



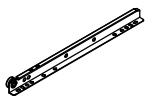
3.5\*12mm Screw x 4

DL



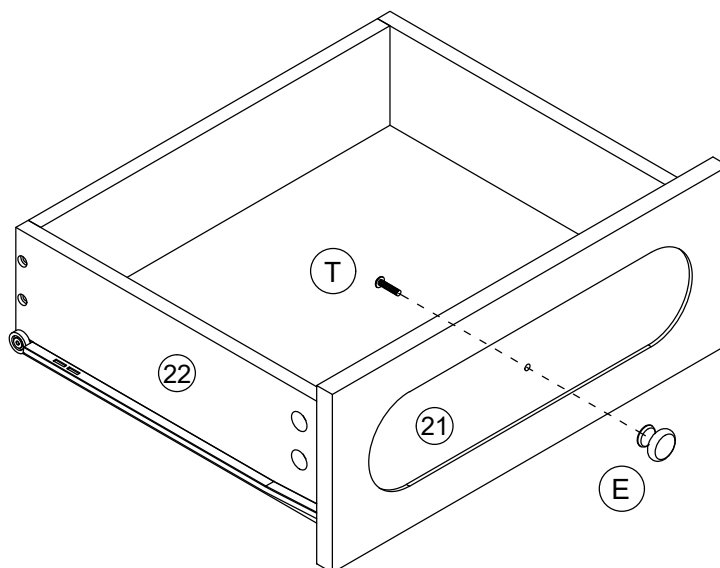
300mm runner x 1

DR



300mm runner x 1

## Step 27



E



Handle x 1

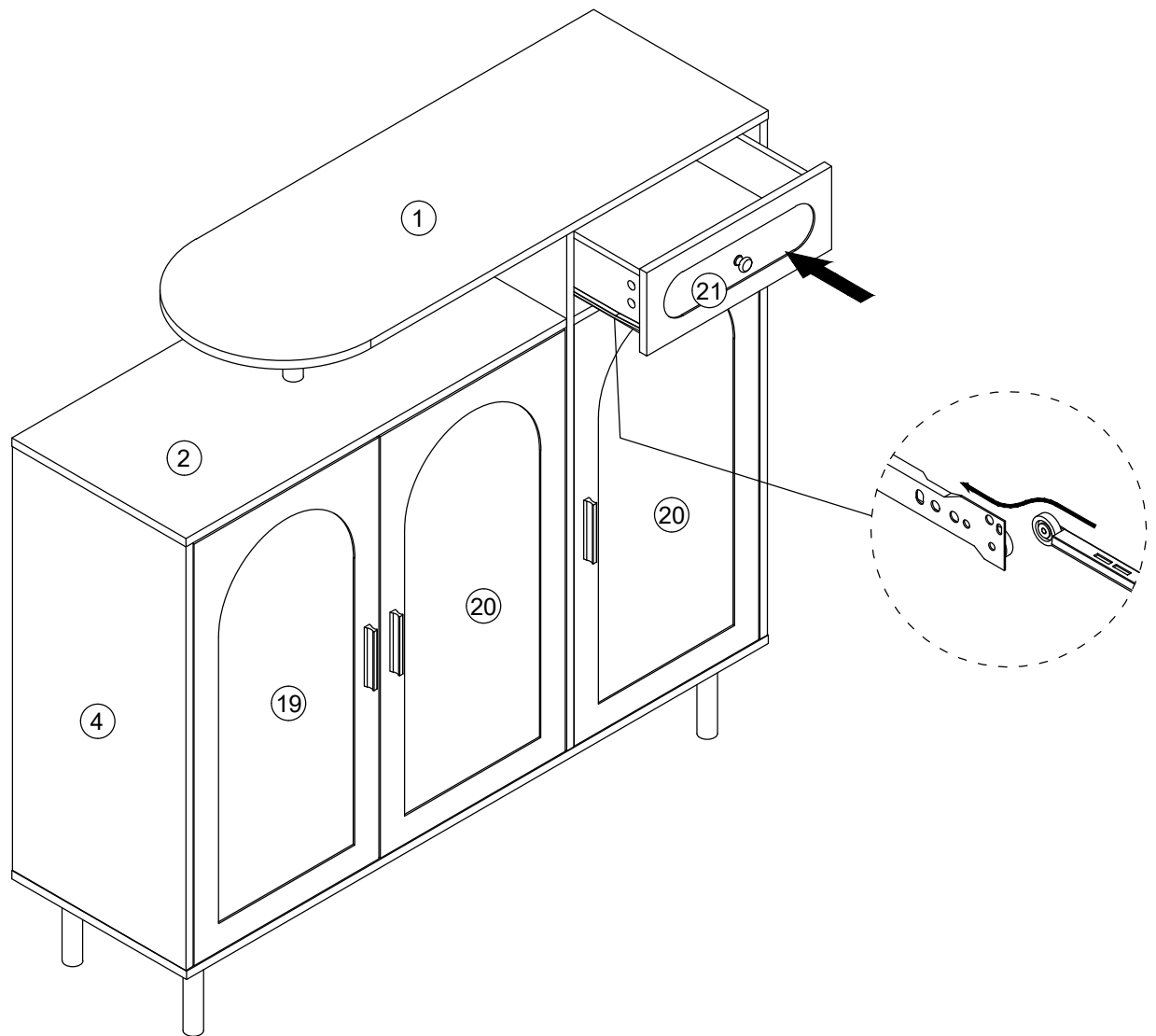
T



4\*16mm Screw x 1

# Assembly Instructions

## Step 28



# Assembly Instructions

## Step 29

