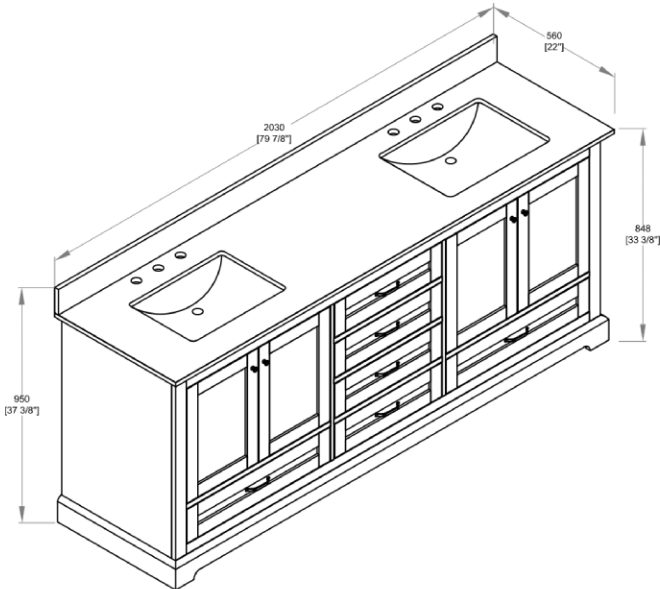
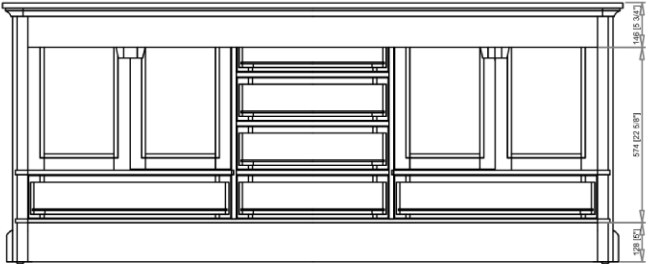
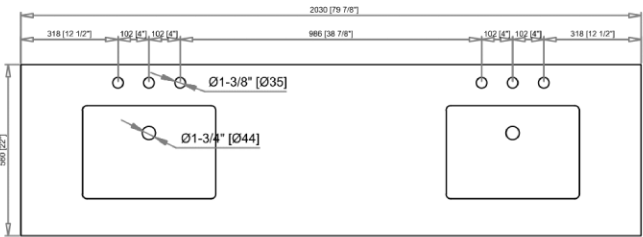


LEXORA INC

LD342280DA00000
LD342280DB00000
LD342280DE00000

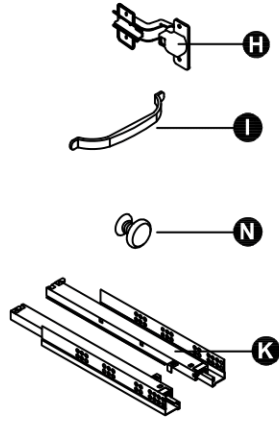
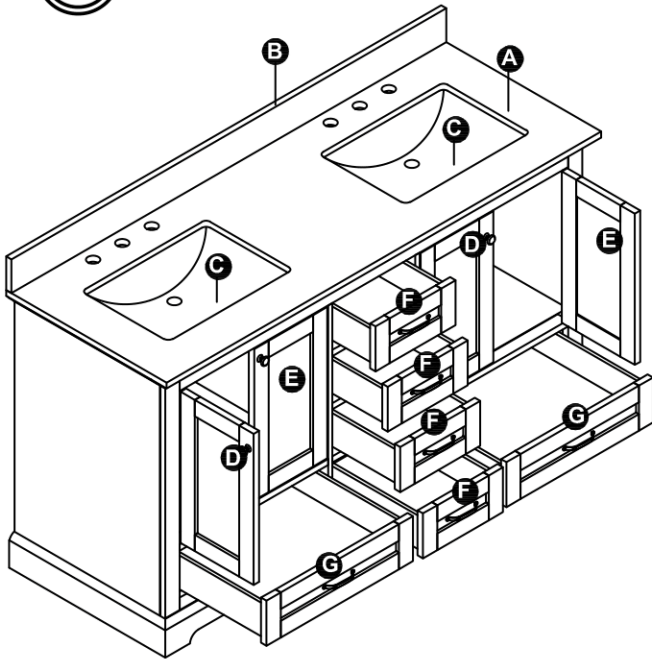


DIMENSIONS



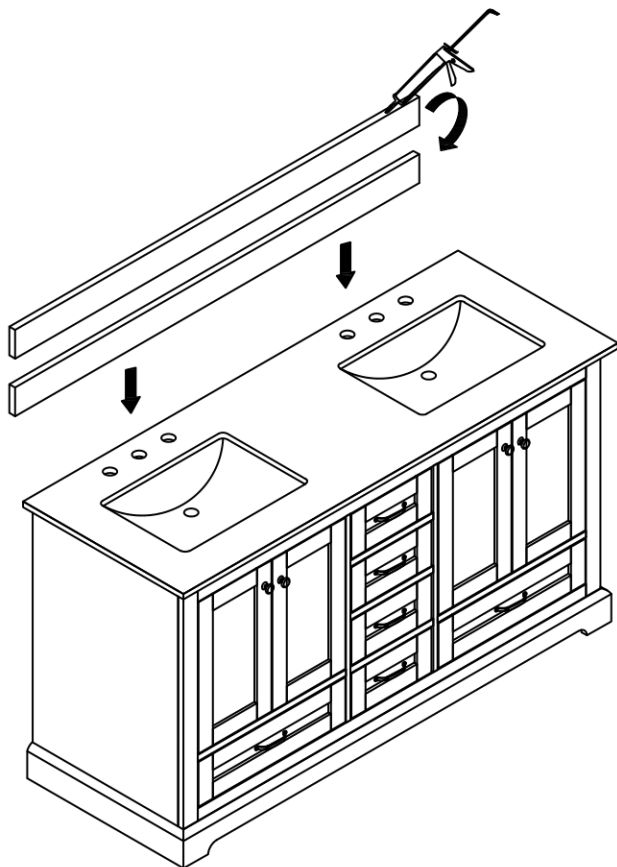
#1

PART LIST

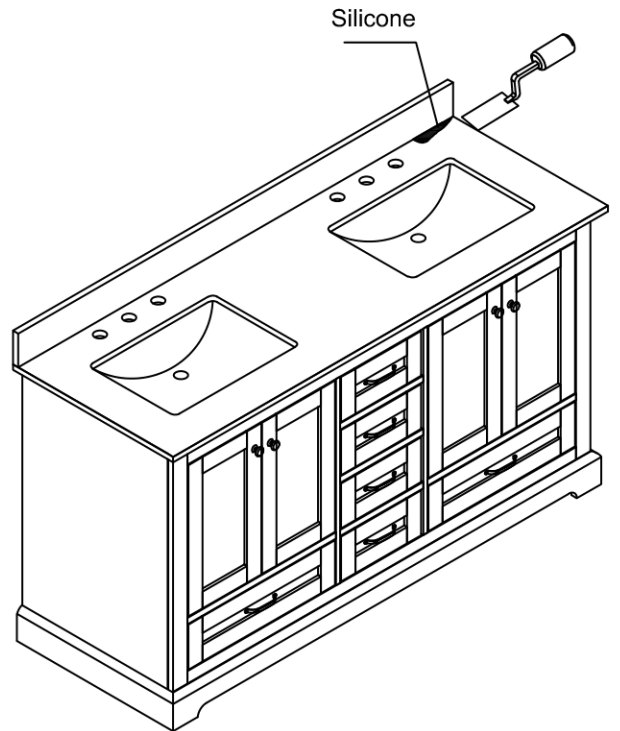


| PART # | DESCRIPTION | QUANTITY |
|--------|---------------|----------|
| A | Countertop | 1 |
| B | Backsplash | 1 |
| C | Basin | 2 |
| D | Door (left) | 2 |
| E | Door (right) | 2 |
| F | Drawer | 4 |
| G | Drawer | 2 |
| H | Hinge (door) | 8 |
| I | Handle | 6 |
| N | Knob | 4 |
| K | Drawer glides | 6 |

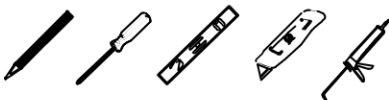
INSTALLATION



(A) (B)



TOOLS REQUIRED (not supplied)

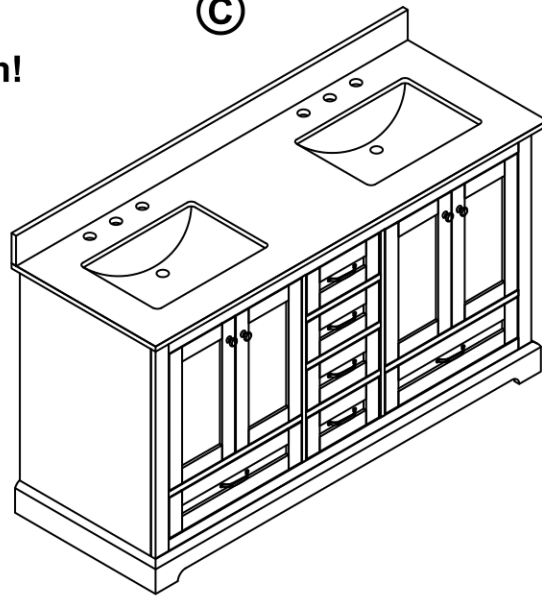


#1

INSTALLATION

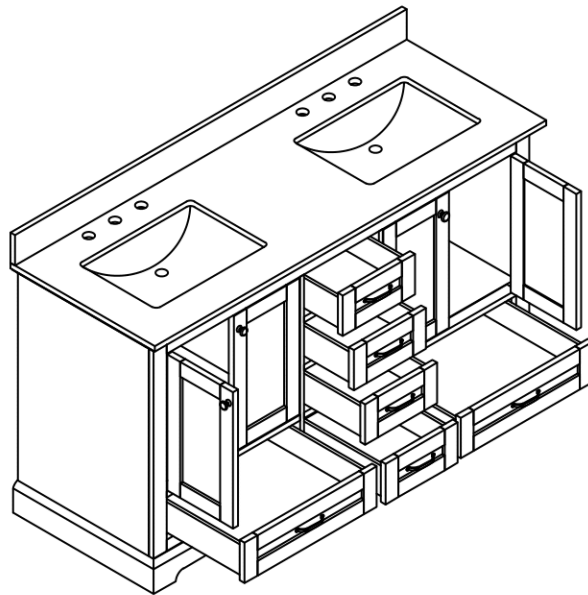


C



#2

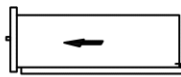
DRAWER



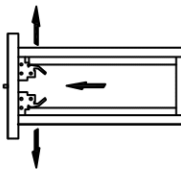
REMOVE

INSTALL

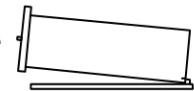
1



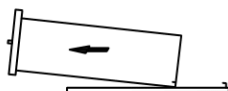
2



3



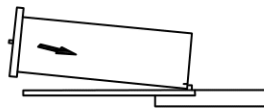
4



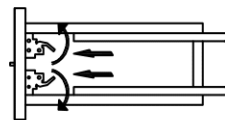
B

C

1



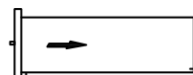
2



3

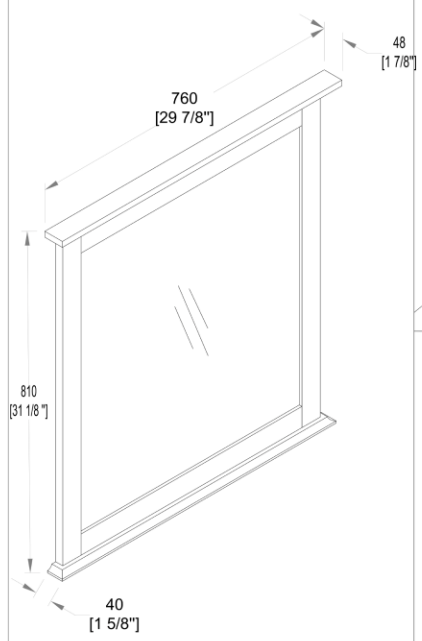


4

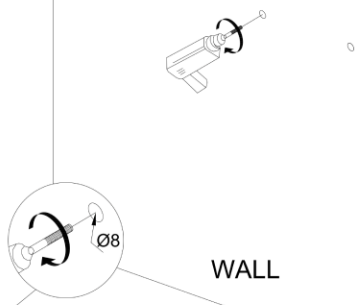


LEXORA INC

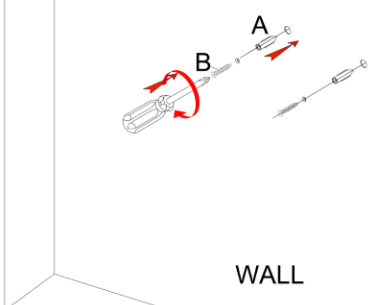
LD3230NBM



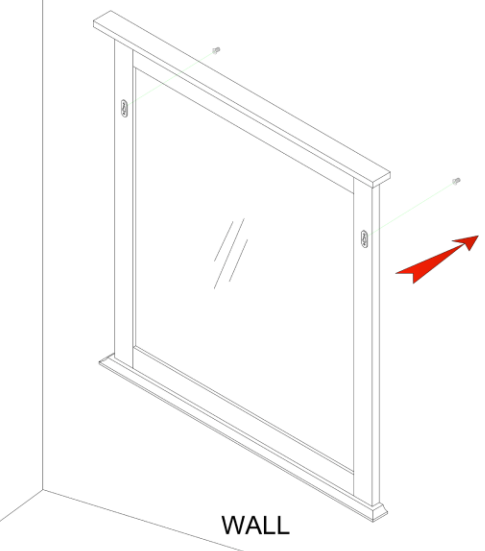
STEP1



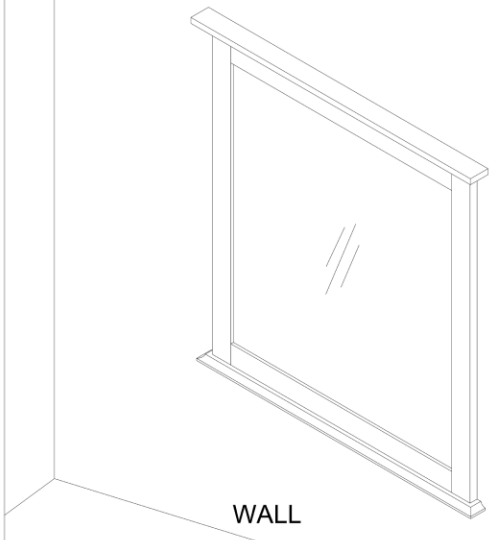
STEP2





STEP3



FINISHED



HARDWARE

| No. | Draw | Qty |
|-----|---|-----|
| A |  (Ø8*30) | 2 |
| B |  (Ø4*50) | 2 |