

## *ASSEMBLY INSTRUCTIONS*



*Writing Desk*

# ASSEMBLY INSTRUCTIONS

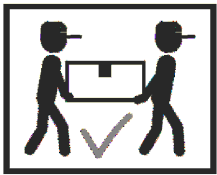
## ASSEMBLY TIPS:

1. Remove hardware from box and sort by size.
2. Please check to see that all hardware and parts are present prior to start of assembly.
3. Please follow attached instructions in the same sequence as numbered to assure fast & easy assembly.



### WARNING!

1. Don't attempt to repair or modify parts that are broken or defective. Please contact the store immediately.
2. This product is for home use only and not intended for commercial establishments.

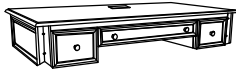


**ASSEMBLY TIME**

**15 MINUTES**

## PARTS IDENTIFICATION

AN TOP



1PC

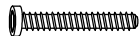
BN LEG



4PCS

## HARDWARE IDENTIFICATION

1 BOLTS  
(Ø5/16" x 2-1/2")



8PCS

4 ALLEN KEY  
(M5 x 67mm)



1PC

2 LOCK WASHER  
(Ø5/16" x 2mm)



8PCS

5 KNOB WITH  
SCREW



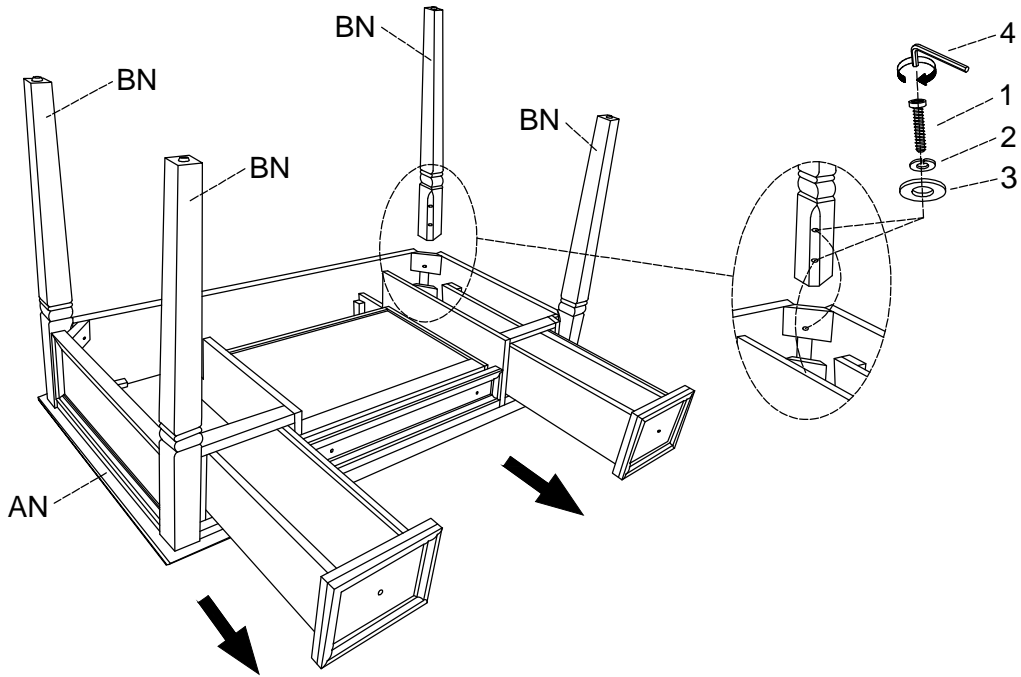
4SETS

3 FLAT WASHER  
(Ø5/16" x Ø22)

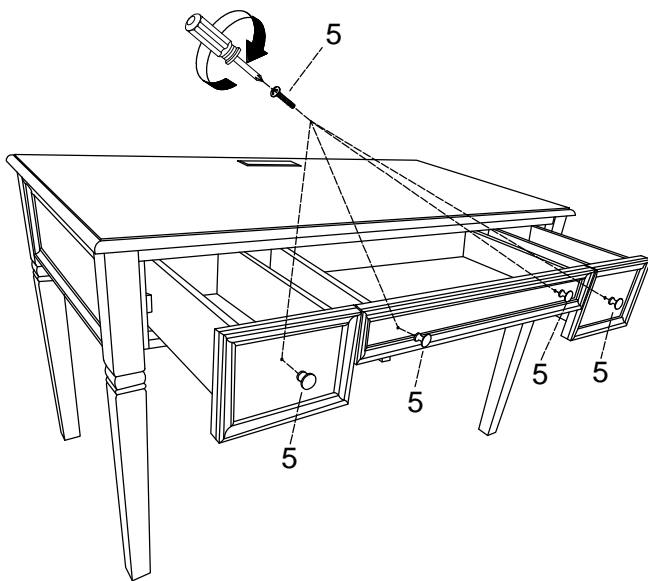


8PCS

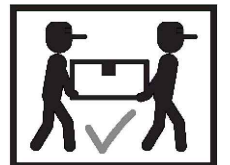
# STEP 1

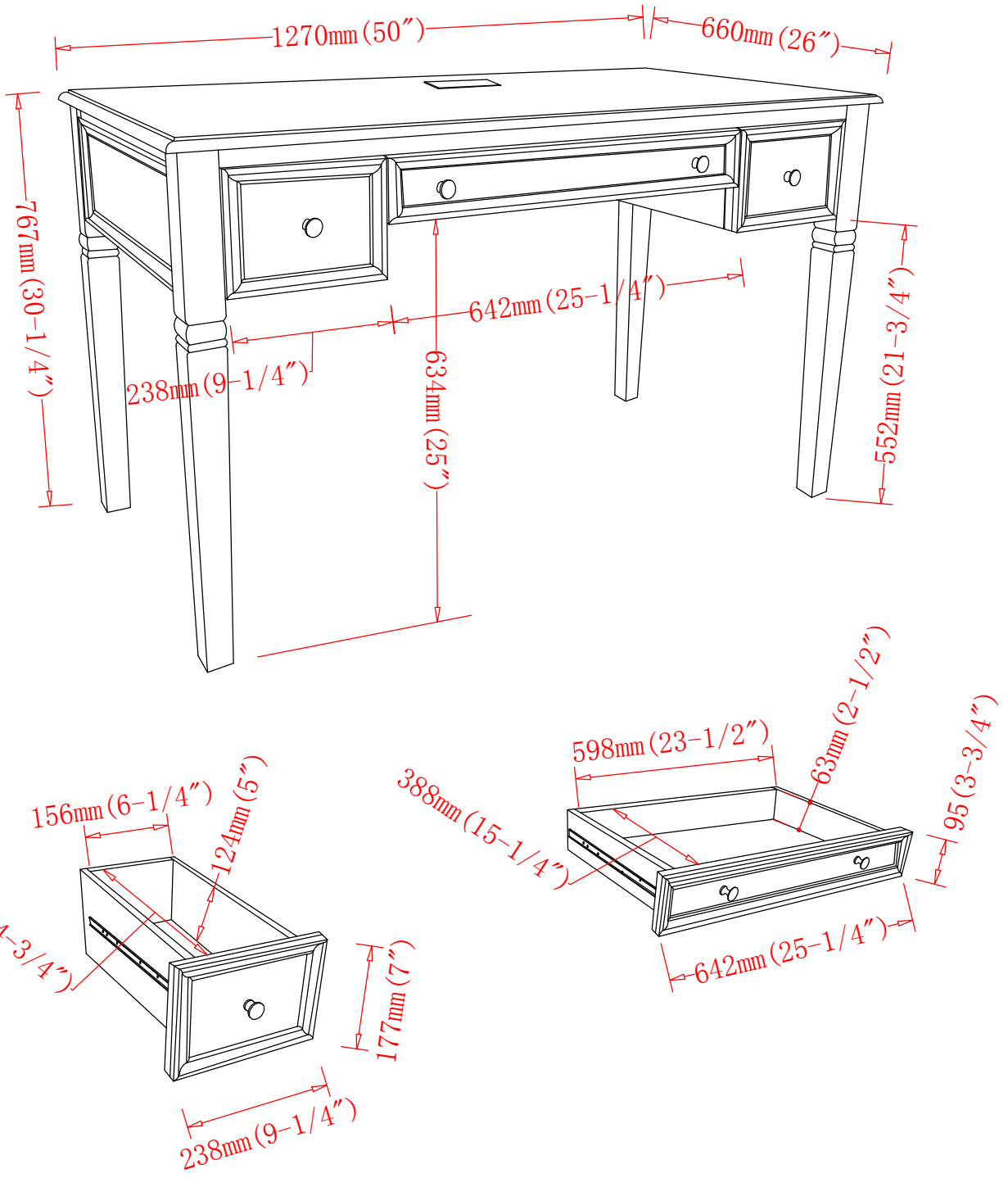


# STEP 2



# STEP 3





Note : Dimension tolerance  $\pm 5\%$