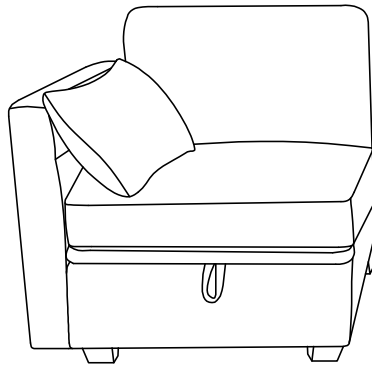
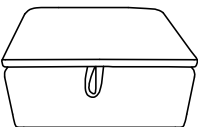
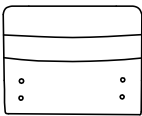

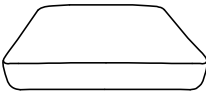

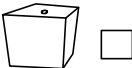


# Assembly Instructions


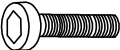


ITEM NO:F8122/8111



## PARTS LIST

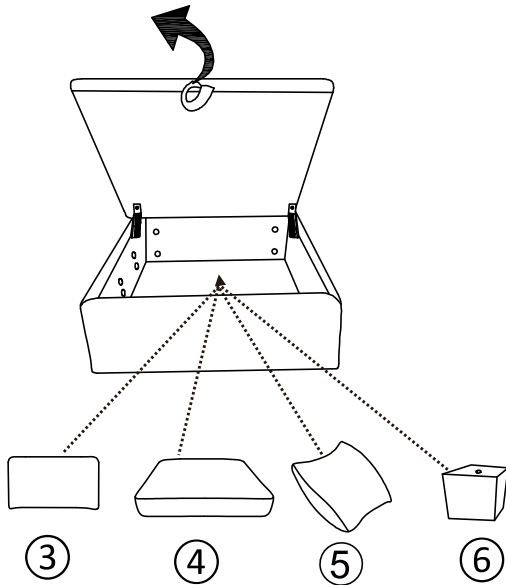
① *1	② *2	③ *1	④ *1	⑤ *1	⑥ *4
					

## HARDWARE LIST

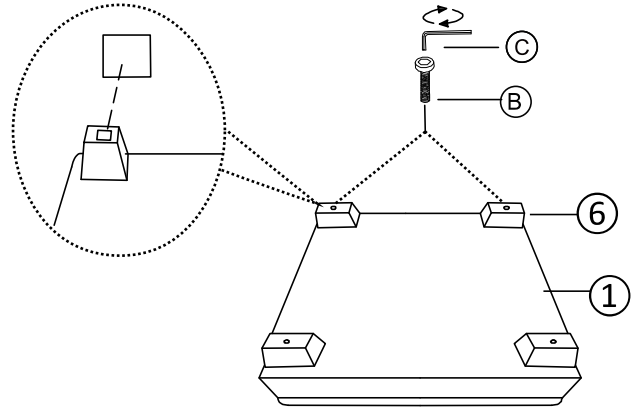
Ⓐ *8	Ⓑ *4	Ⓒ *1	Ⓓ *1
			

# Assembly Steps

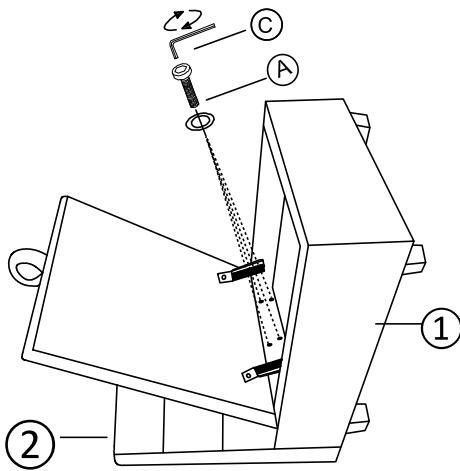
Step 1



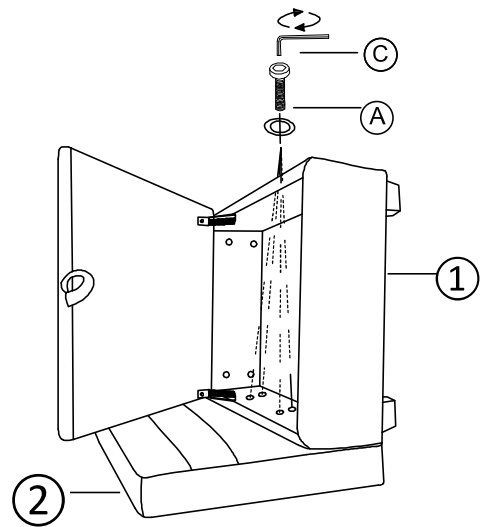
Step 2



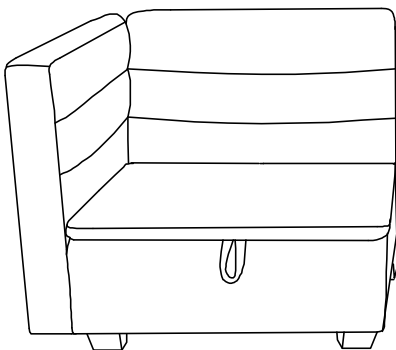
Step 3



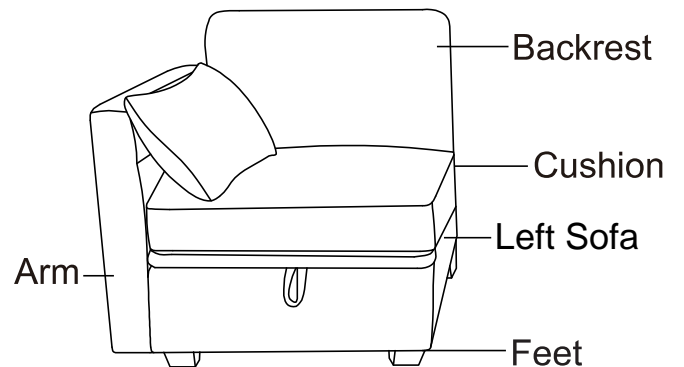
Step 4



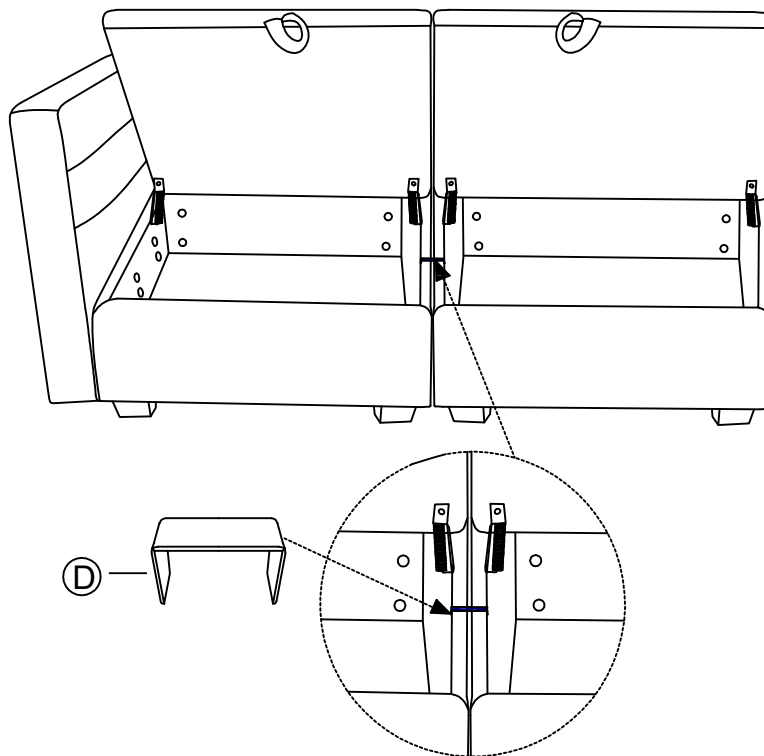
Step 5



Step 6



## Assembly Steps



Fix the assembled sofa together with 1 connectors,  
and then place the seat cushion and backrest on top