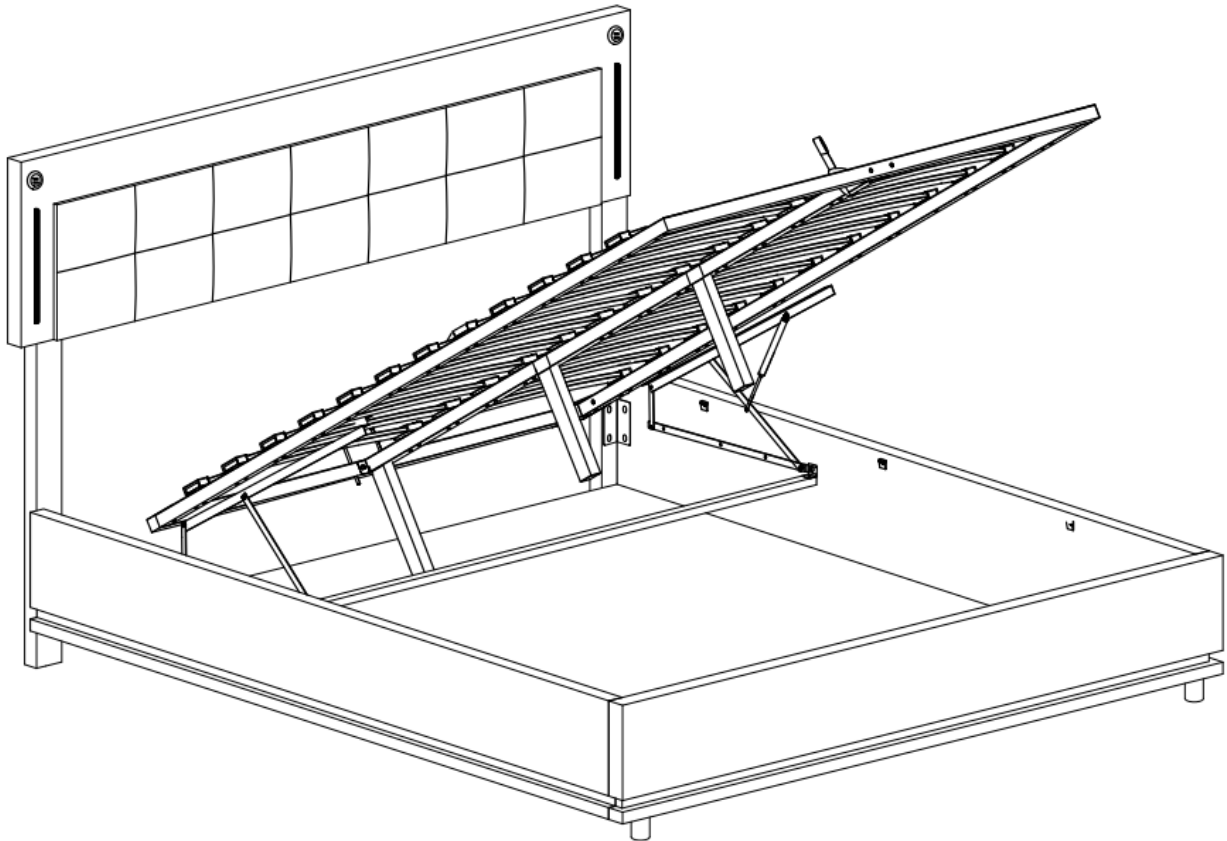
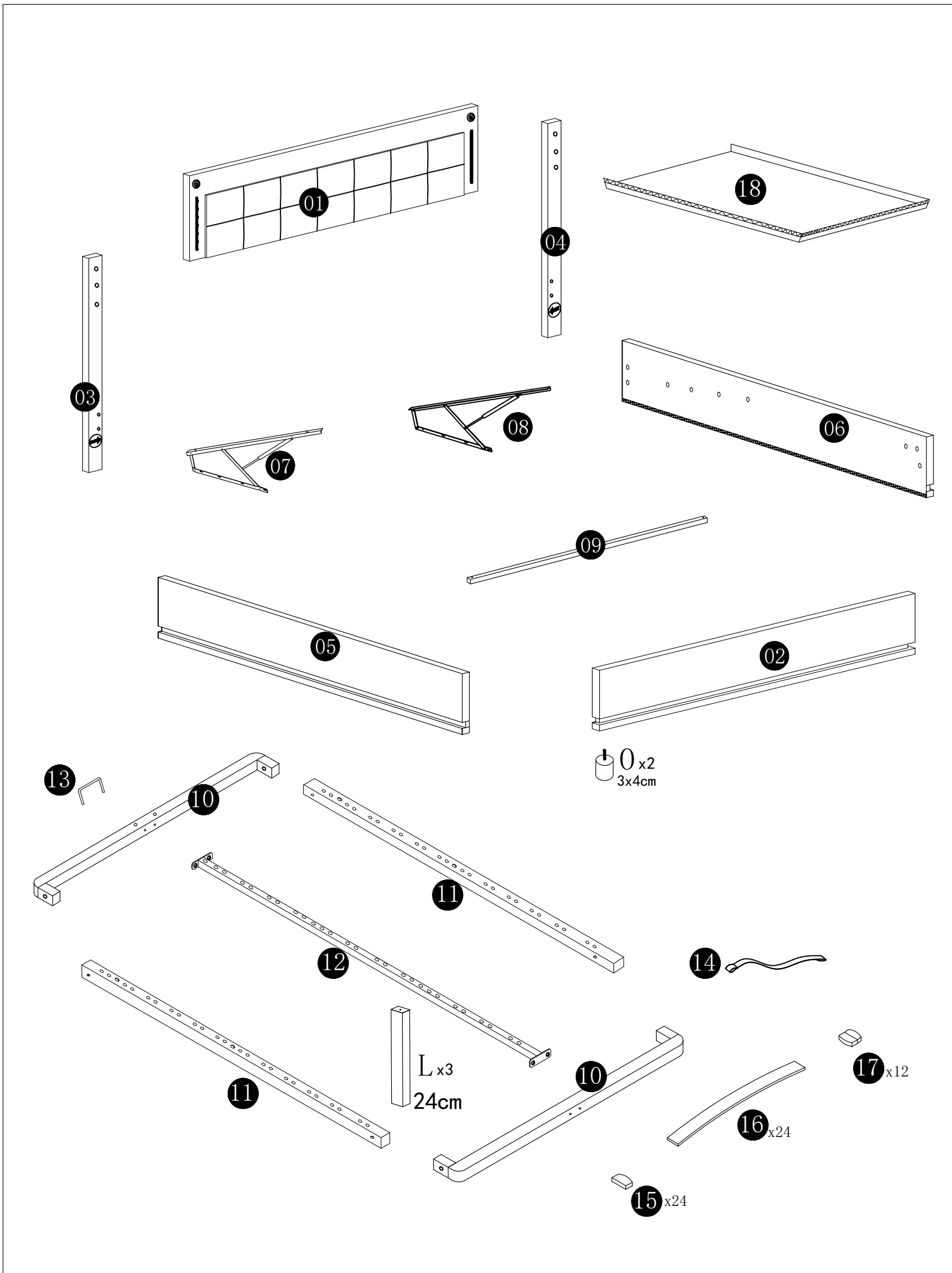


Upholstered bed N652P293083/N652P293084



TIPS

1. This product is divided into 2 parcels for delivery. They may not arrive at the same time. Please wait patiently.
2. Please read the instructions fully before assembly. These instructions include important information which could ensure correct assembly. We have been working on providing high quality products for you. However, in the rare instance that your product is defective, missing parts or there are some issues, please don't hesitate to contact our customer service to submit parts requirements, assembly suggestion, or warranty claims, and we will give the best solution as soon as possible. If necessary, we need you to provide some more clear pictures of the issue.
3. Insert the screws in holes and tighten the screws, but not too tight, 70%~80% is ok, finally tighten all the screws. If some issues happened that some screws can not target to the hole or some parts are difficult to install, please adjust the tightness of the screws.
4. 2 people are recommended to finish.

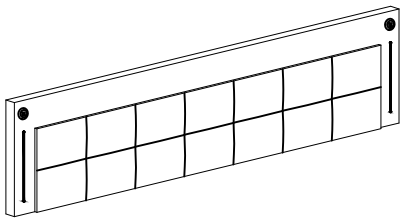


10 x2
3x4cm

L x3
24cm

N652P293083

① x1



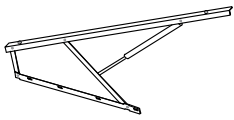
③ x1



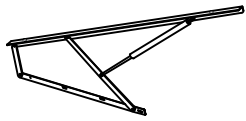
④ x1



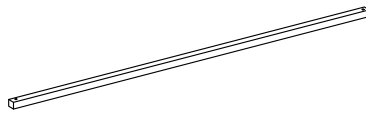
⑦ x1



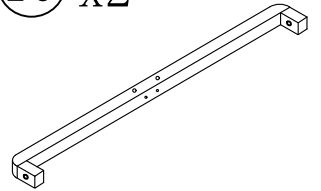
⑧ x1



⑨ x1



⑩ x2



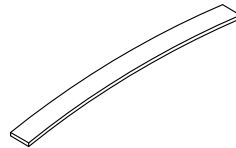
⑬ x1



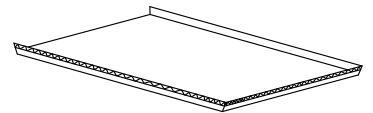
⑭ x1



⑯ x24

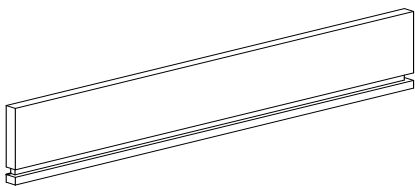


⑱ x1

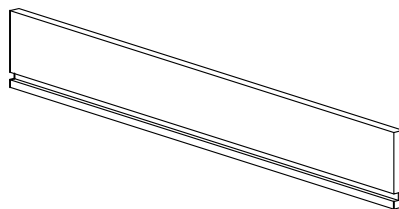


N652P293084

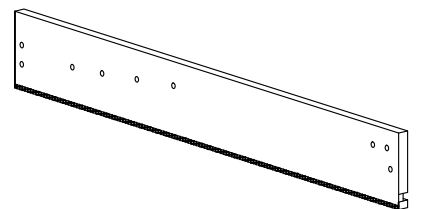
② x1



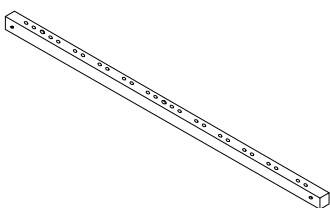
⑤ x1



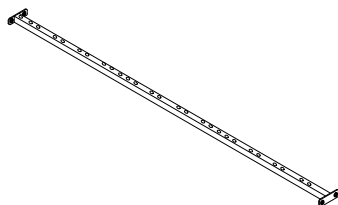
⑥ x1



⑪ x2



⑫ x1



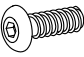
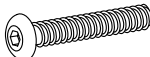

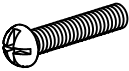
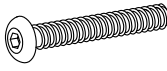
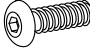
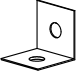
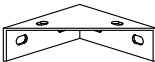

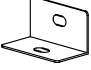
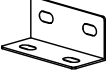
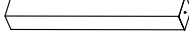

⑮ x24

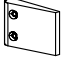

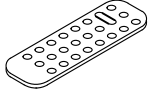






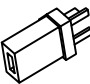

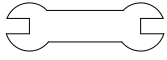
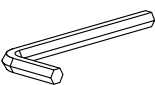


⑰ x12



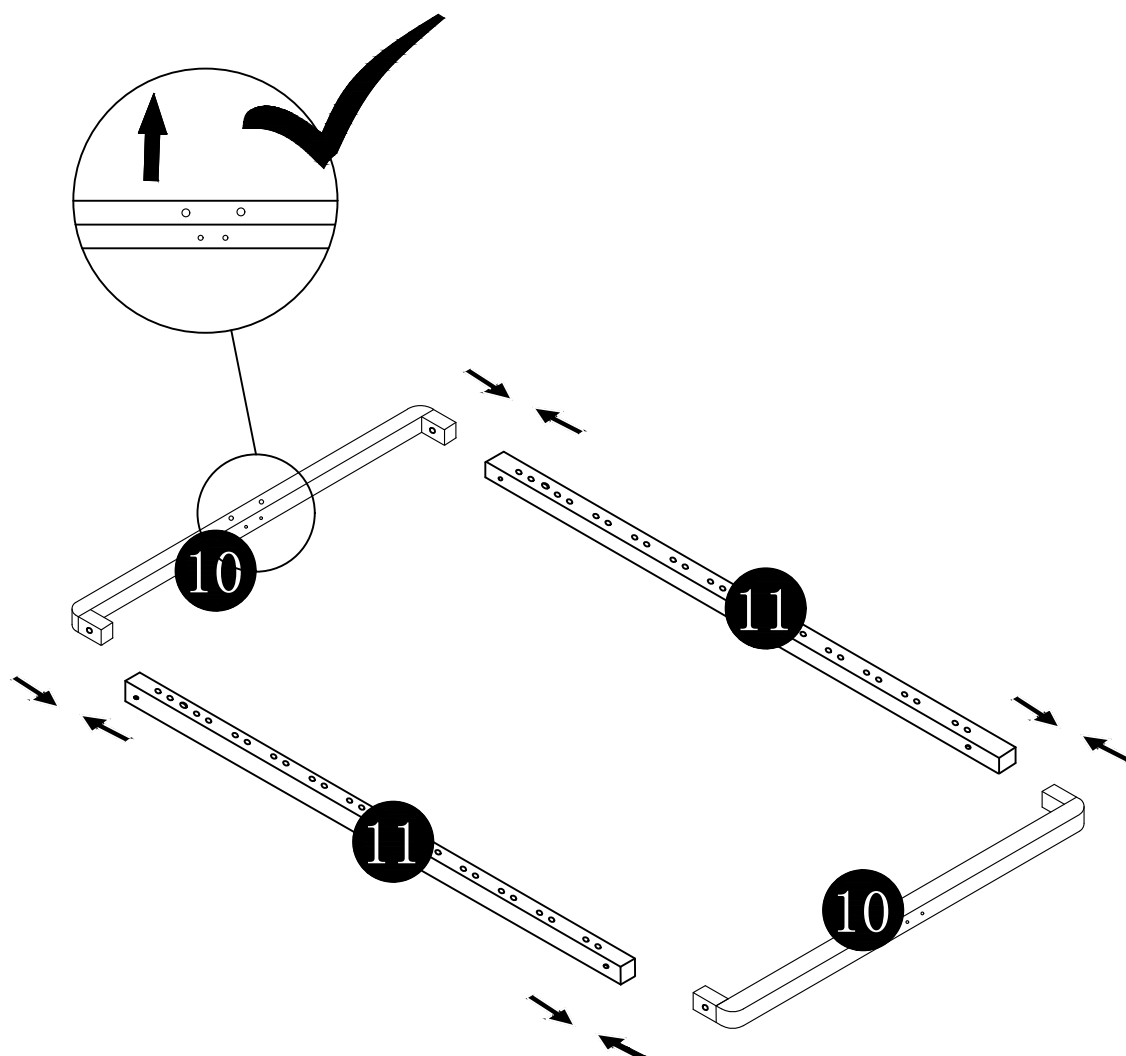
N652P293083

A	 8*20	28
B	 8*50	4
C	 3.5*20	12
D	 8*40	11
E	 8*60	6
F	 8*25	2
G	 1.6	2
H	 2	2
I	 m8	14
J	 2	2
K	 2	2
L	 24cm	3
M	 2	2

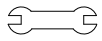



N	 6	6
O	 3x4cm	2
P	 1	1
Q	 1	1
R	 1	1
S	 1	1
T	 1	1
U	 1	1
V	 1	1
W	 1	1
X	 1	1
Y	 m8	1
Z	 m8	1

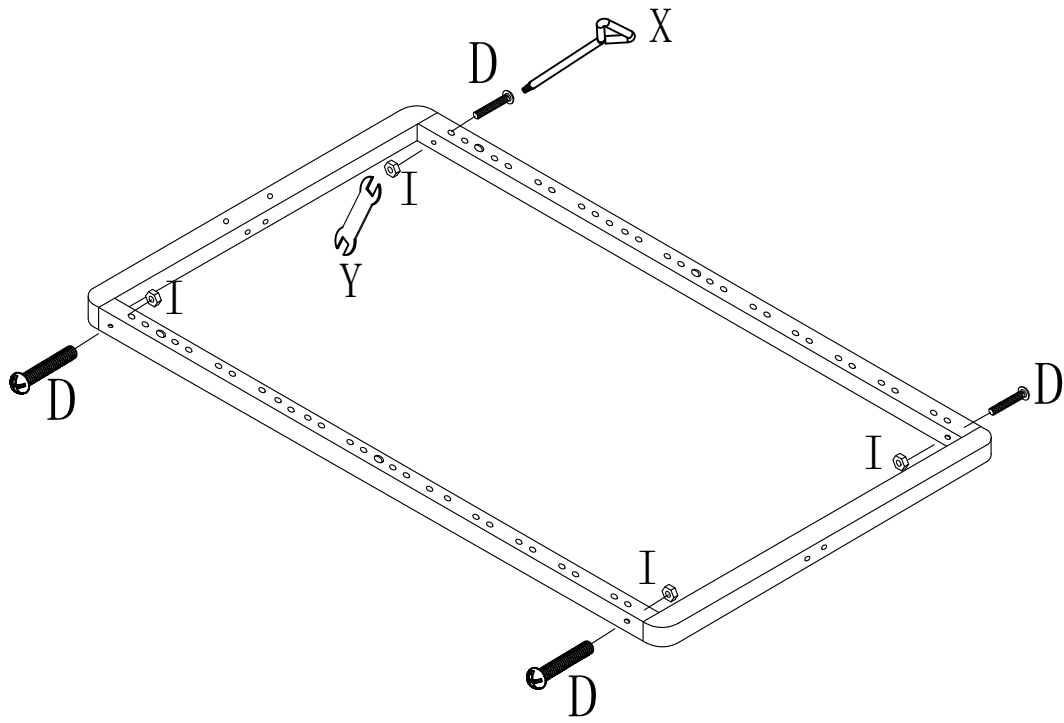
Before installation, insert the screws into the holes and tighten them, but do not tighten them to 100%, 70% to 80% is sufficient. Finally, after all screws are installed, tighten all screws to 100%. If you encounter these issues, such as if the holes cannot be aligned or some parts cannot be installed, please check if the screws are used correctly and adjust the tightness of the screws.

01

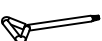
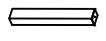



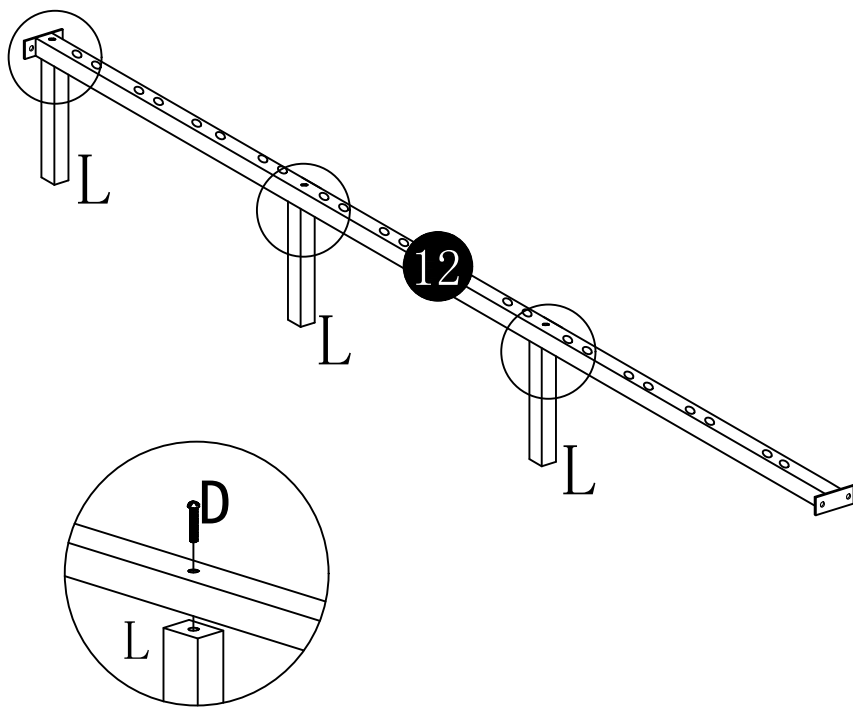
02

Y		1	X		1	I		4	D		4
---	---	---	---	---	---	---	---	---	---	---	---

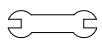





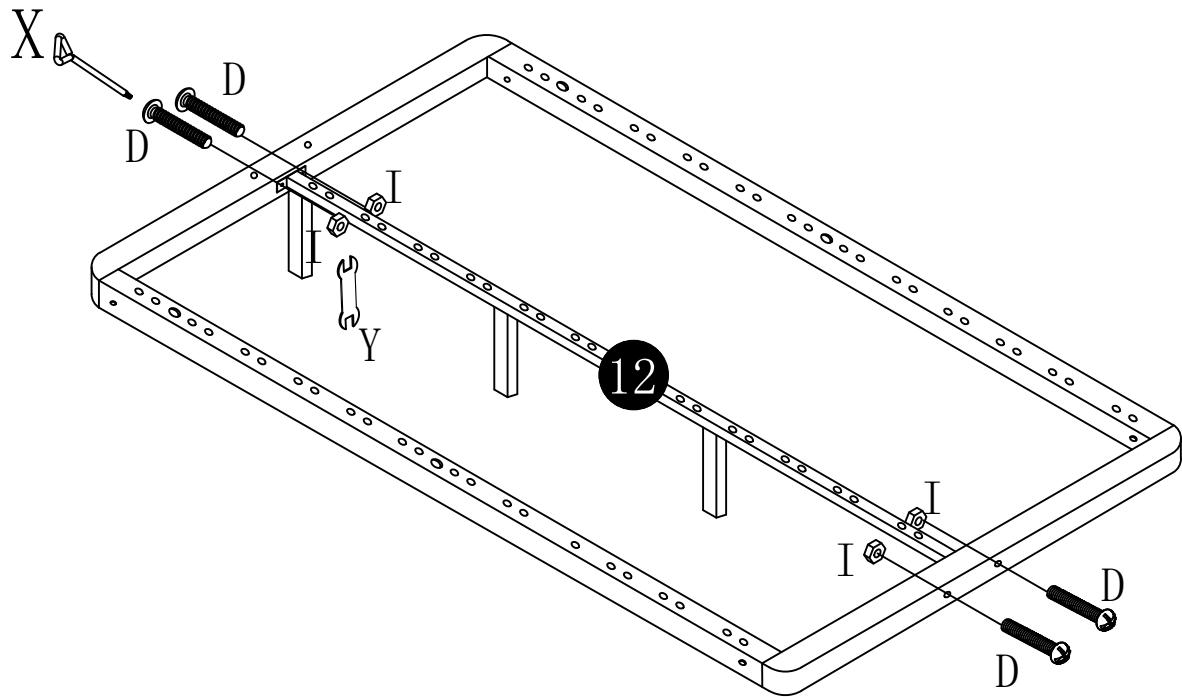
03

X		1	L		3	D		3
---	---	---	---	---	---	---	---	---



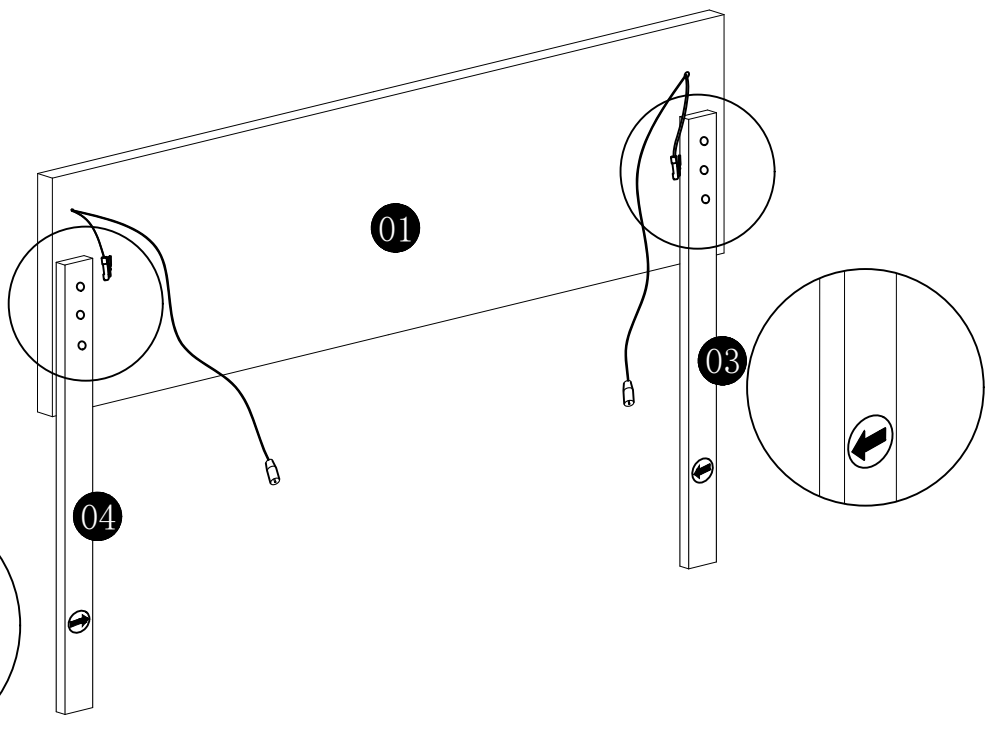
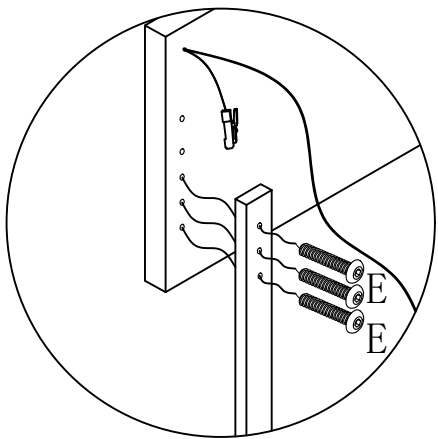
04

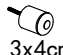
Y		1	X		1	I		4	D		8*40	4
---	---	---	---	---	---	---	---	---	---	---	------	---

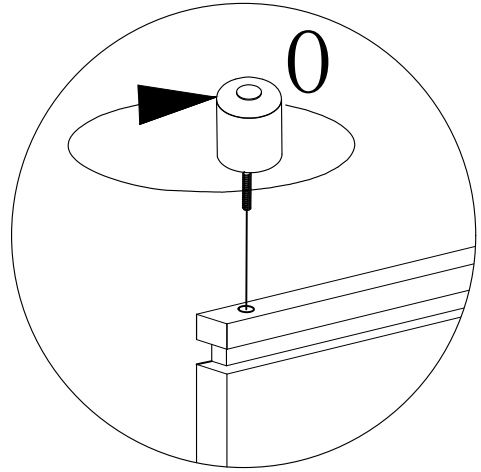
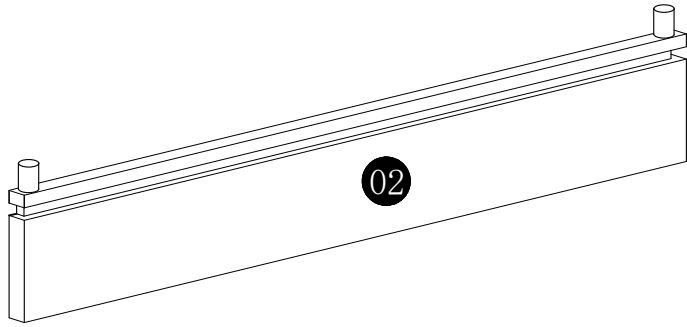







05

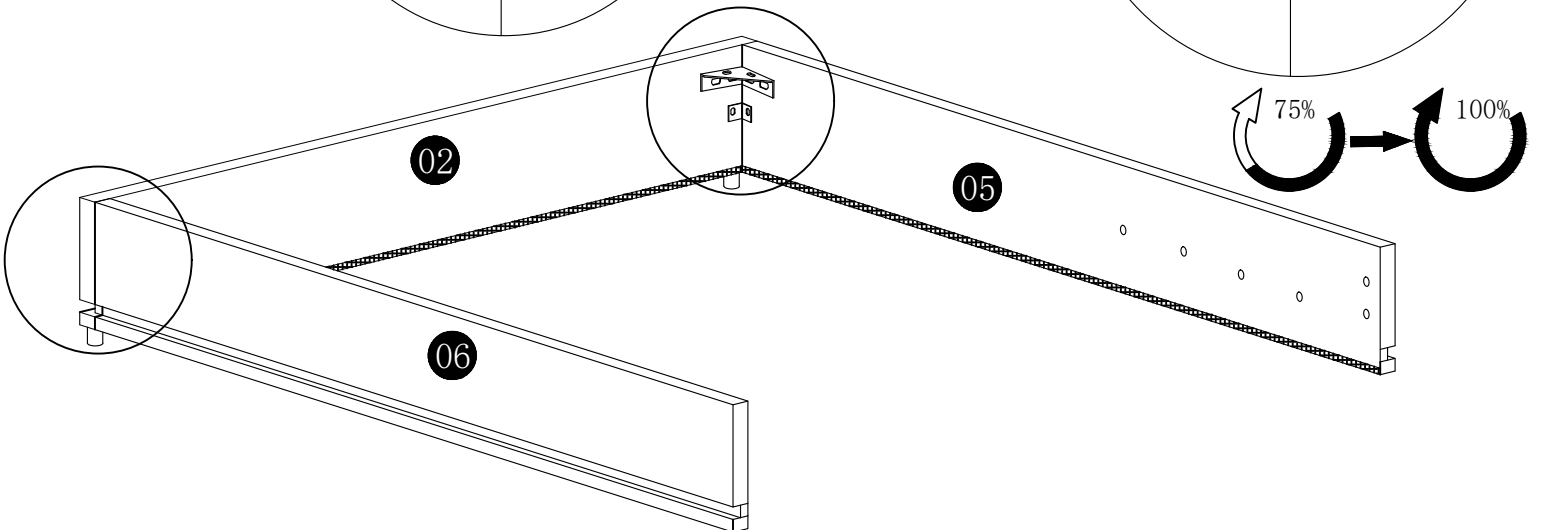
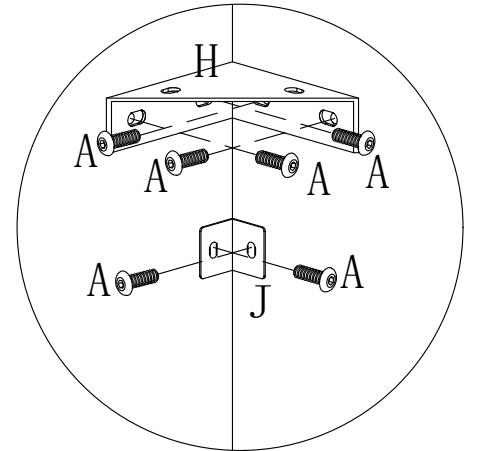
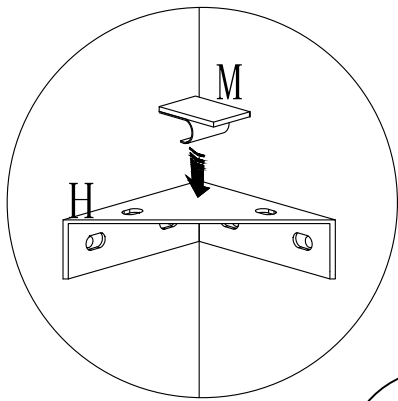
Z		1	E		8*60	6
---	---	---	---	---	------	---






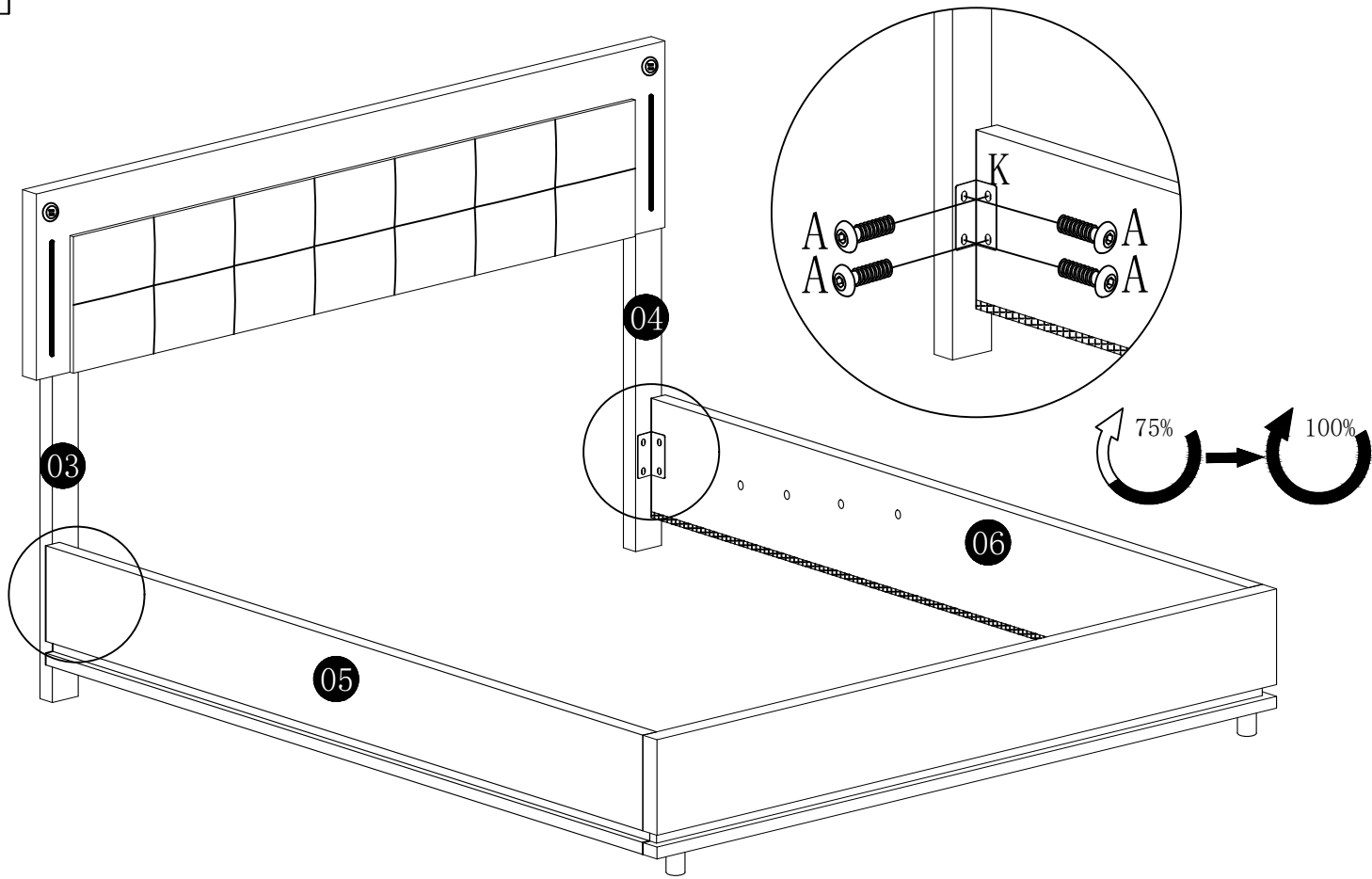
06	0	 3x4cm	2
----	---	---	---






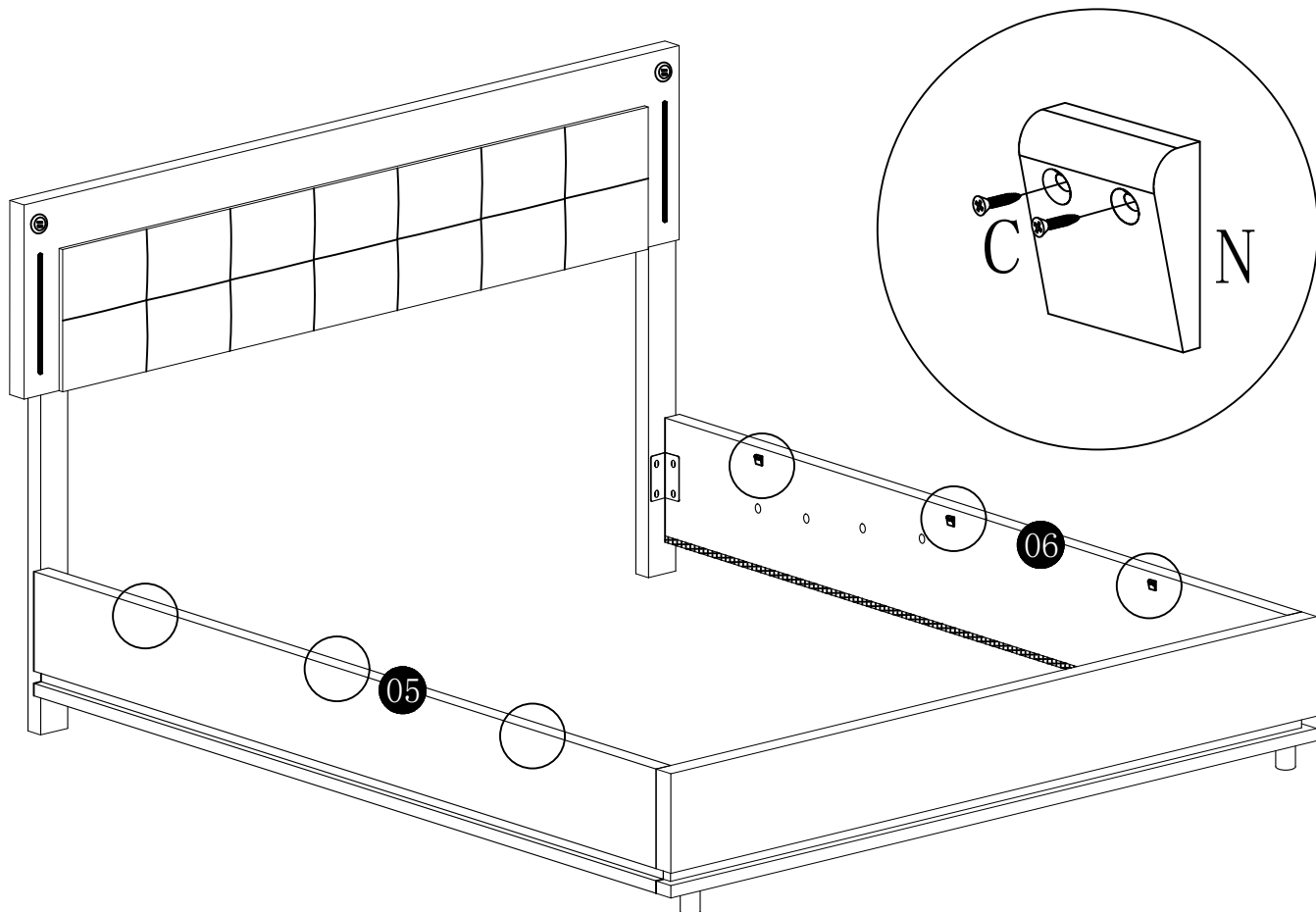
07	Z		1	J		2	H		2	A	 8*20	12	M		2
----	---	---	---	---	---	---	---	---	---	---	--	----	---	---	---



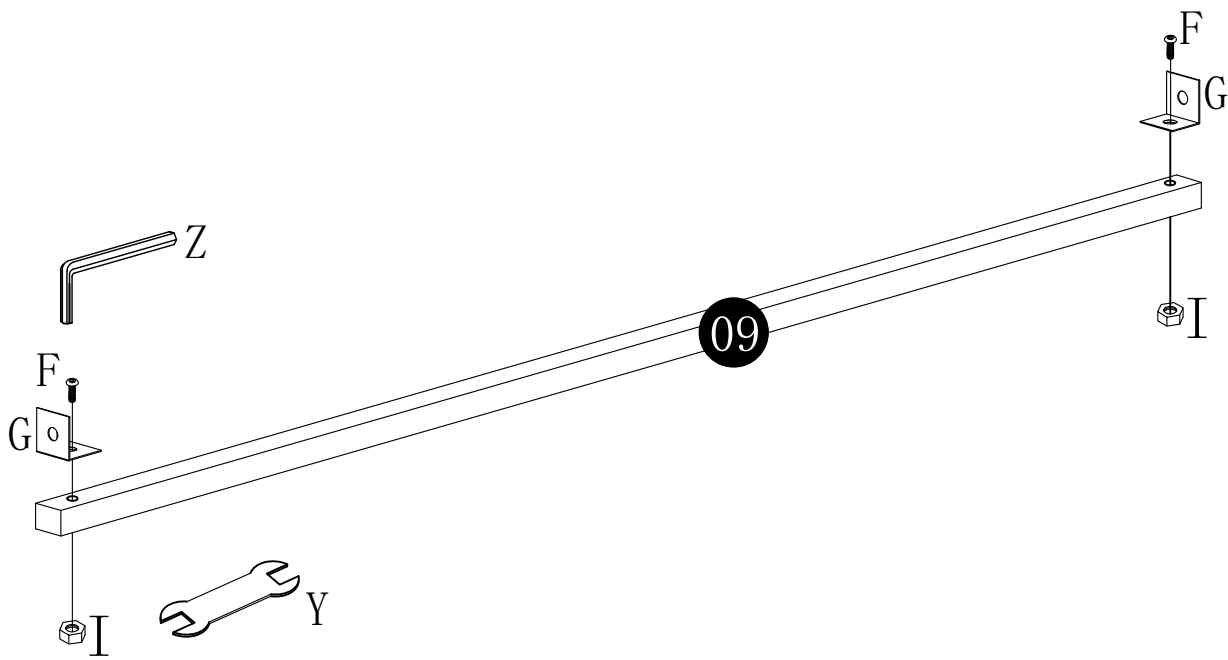
- | | | | | | | | | | | |
|----|---|---|---|---|---|---|---|---|------|---|
| 08 | Z |  | 1 | K |  | 2 | A |  | 8*20 | 8 |
|----|---|---|---|---|---|---|---|---|------|---|



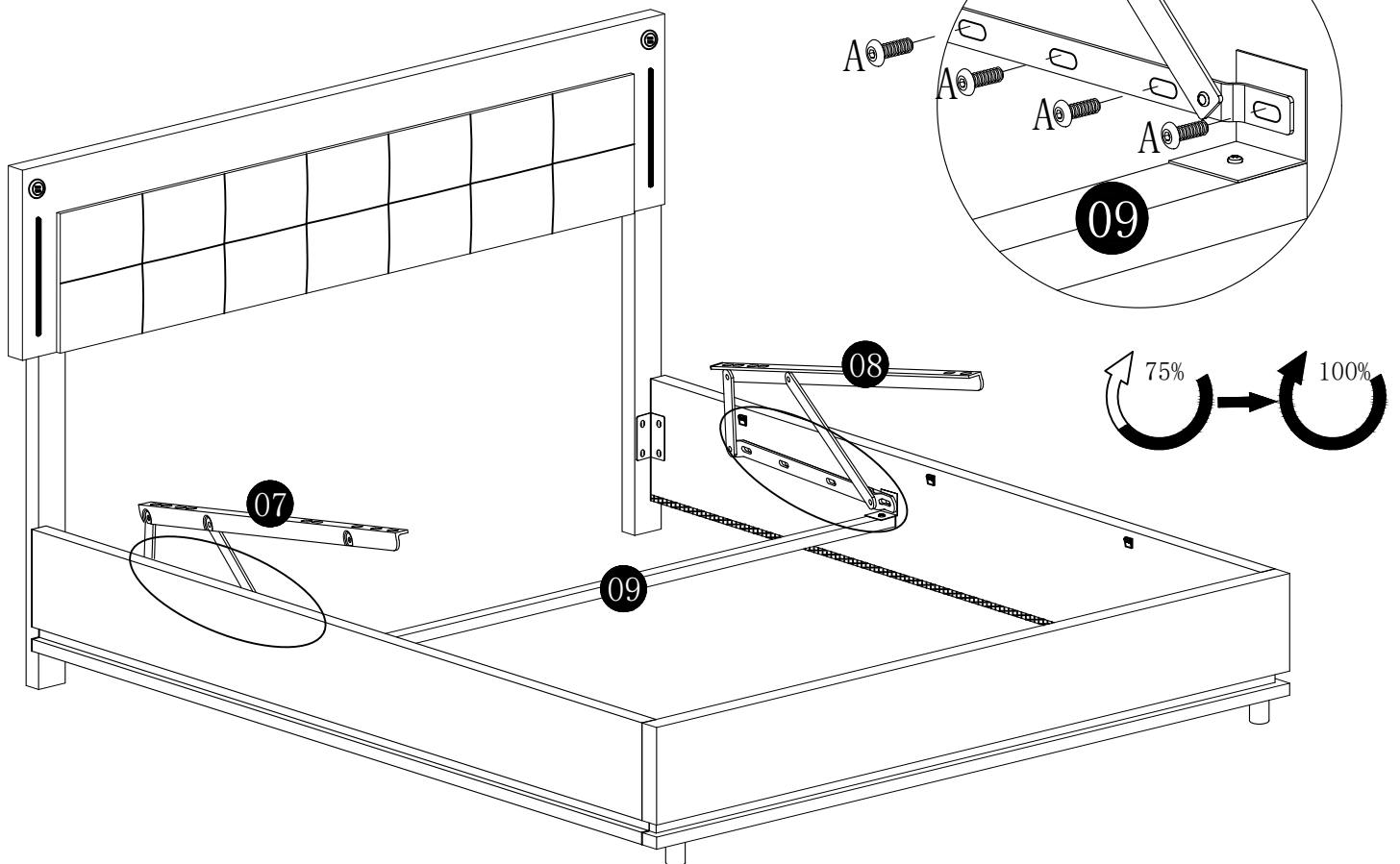
- | | | | | | | | | | | |
|----|---|---|---|---|---|---|---|---|--------|----|
| 09 | X |  | 1 | N |  | 6 | C |  | 3.5*20 | 12 |
|----|---|---|---|---|---|---|---|---|--------|----|



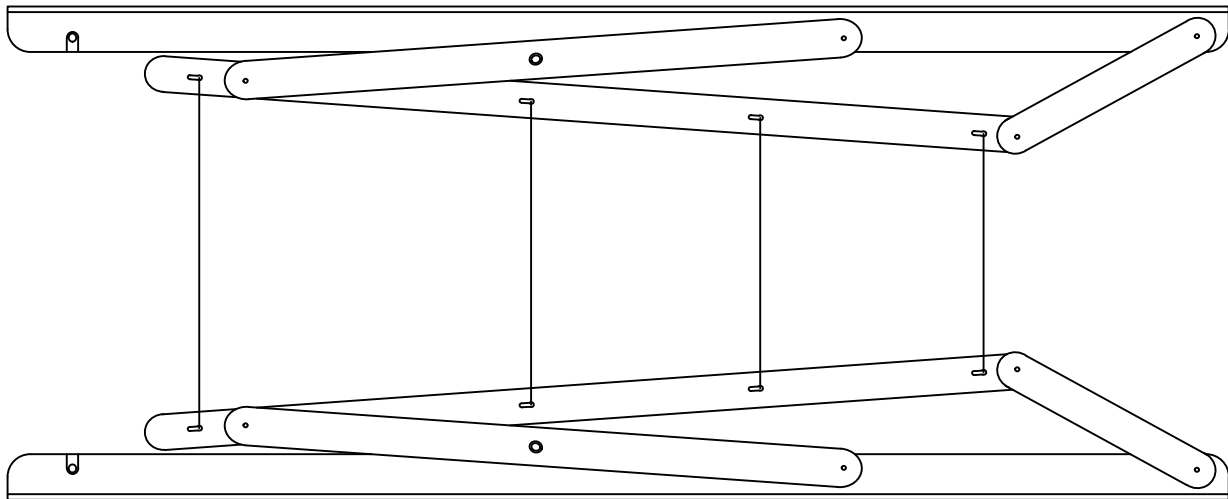
10	Z		1	Y		1	G		1.6	2	I		2	F		2
----	---	--	---	---	--	---	---	--	-----	---	---	--	---	---	--	---



11	Z		1	A		8
----	---	--	---	---	--	---



12



GB

The hole on the hydraulic rod is oval. Please make sure that the installation positions on the left and right sides are the same. If you accidentally install one side of the hydraulic rod in the front and the other side in the back, the slat frame will be crooked and you will need to disassemble it and reinstall it.

DE

Das Loch an der Hydraulikstange ist oval. Bitte stellen Sie sicher, dass die Einbaupositionen auf der linken und rechten Seite gleich sind. Wenn Sie versehentlich eine Seite der Hydraulikstange vorne und die andere Seite hinten einbauen, kann dies zu Problemen führen. Der Rahmen der Hydraulikstange ist schief und Sie müssen sie zerlegen und neu installieren.

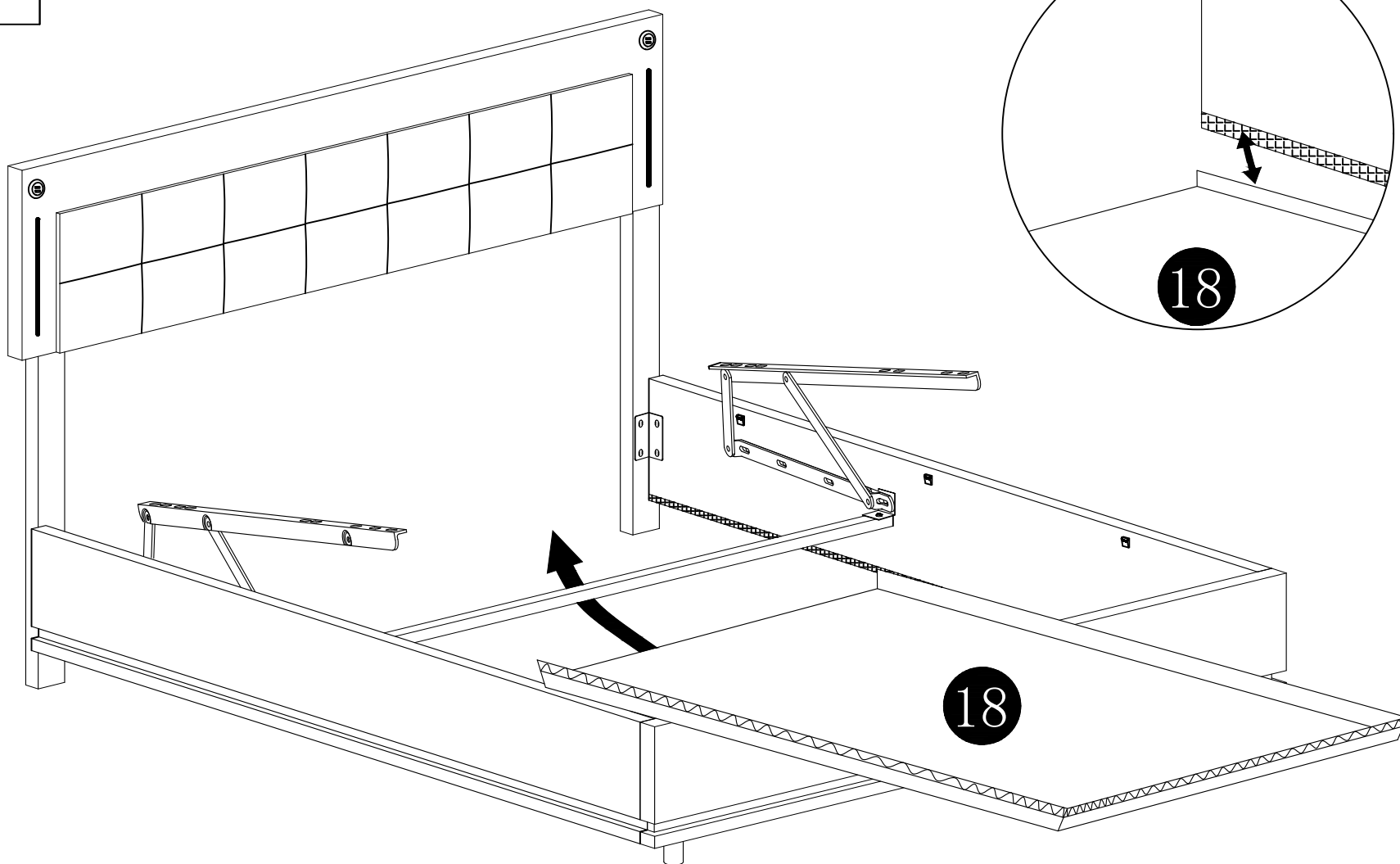
FR

Le trou de la tige hydraulique est ovale. Veillez à ce que les positions d'installation à gauche et à droite soient identiques. Si vous installez accidentellement un côté de la tige hydraulique à l'avant et l'autre à l'arrière, le cadre à lamelles sera de travers et vous devrez le démonter et le réinstaller. Il foro dell'asta idraulica è ovale. Assicurarsi che le posizioni di installazione lato destro e sinistro siano identiche. Se si installa accidentalmente un lato dell'asta idraulica nella parte anteriore e l'altro nella parte posteriore, il telaio delle lamelle risulterà storto e sarà necessario smontarlo e reinstallarlo.

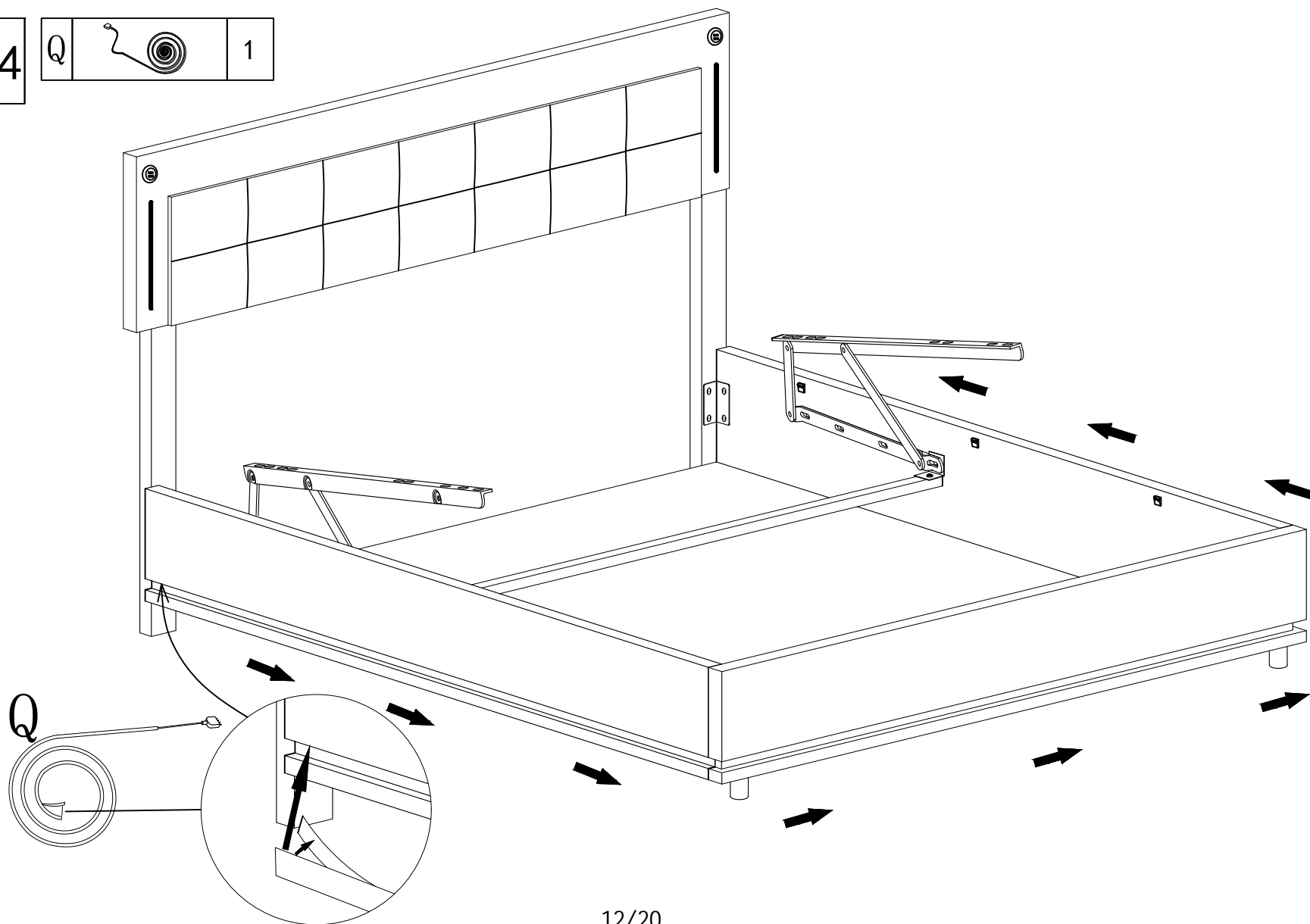
ES

El agujero de la varilla hidráulica es ovalado. Por favor, asegúrese de que las posiciones de instalación en los lados izquierdo y derecho son las mismas. Si instala accidentalmente un lado de la varilla hidráulica en la parte delantera y el otro lado en la parte trasera, el bastidor de lamas quedará torcido y tendrá que desmontarlo y volver a instalarlo.

13



14




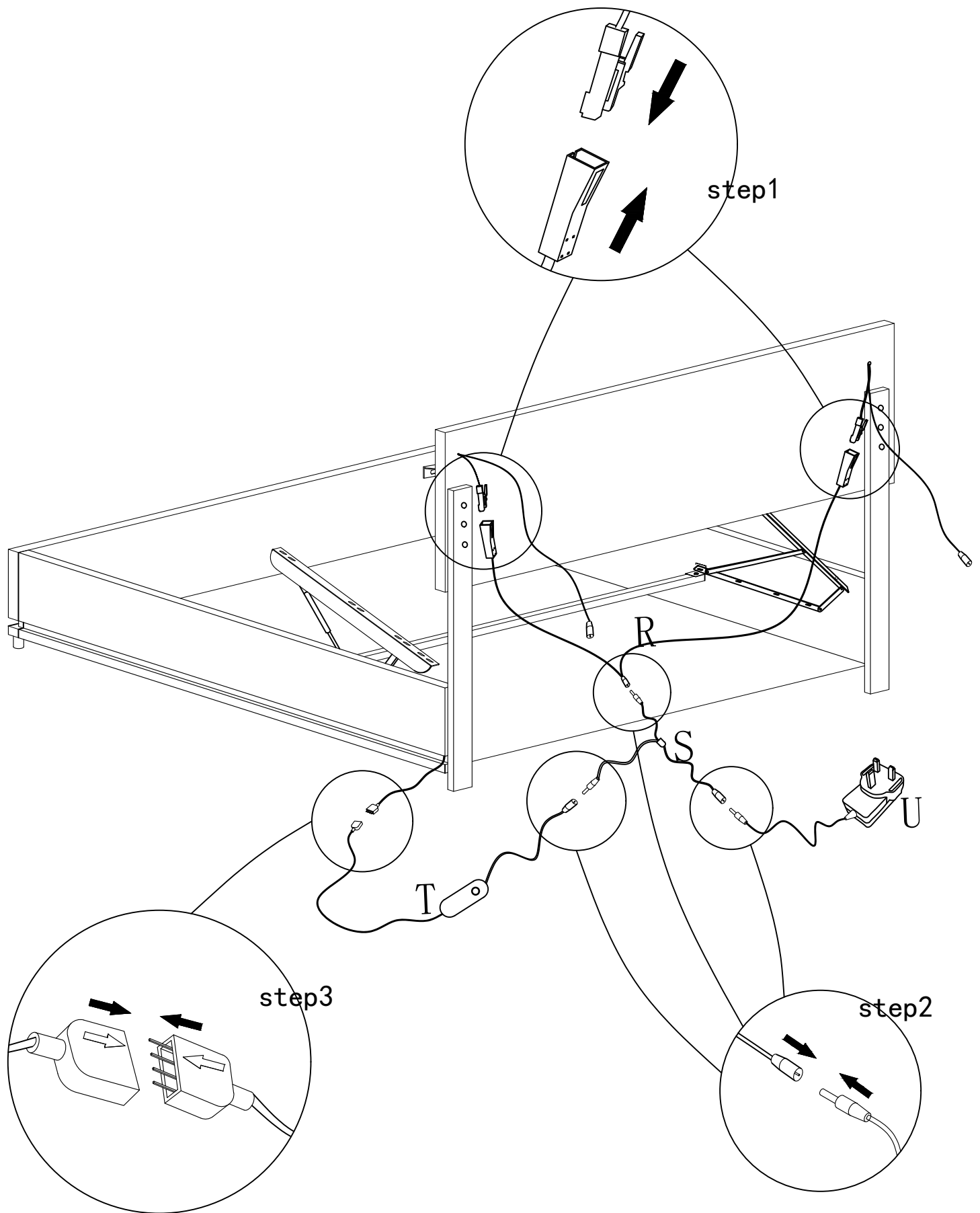
15

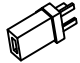

U  1

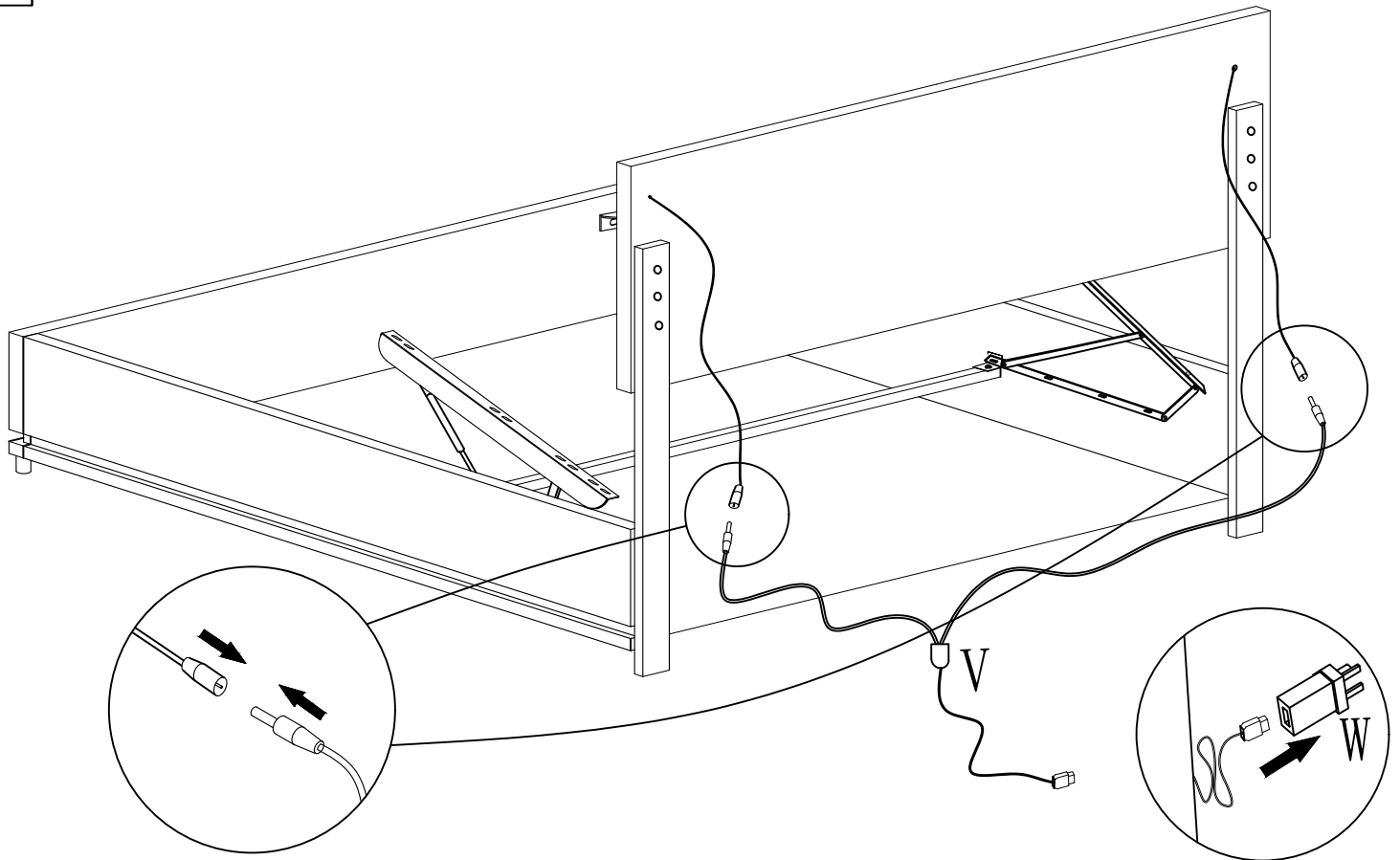
R  1


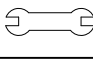


S  1

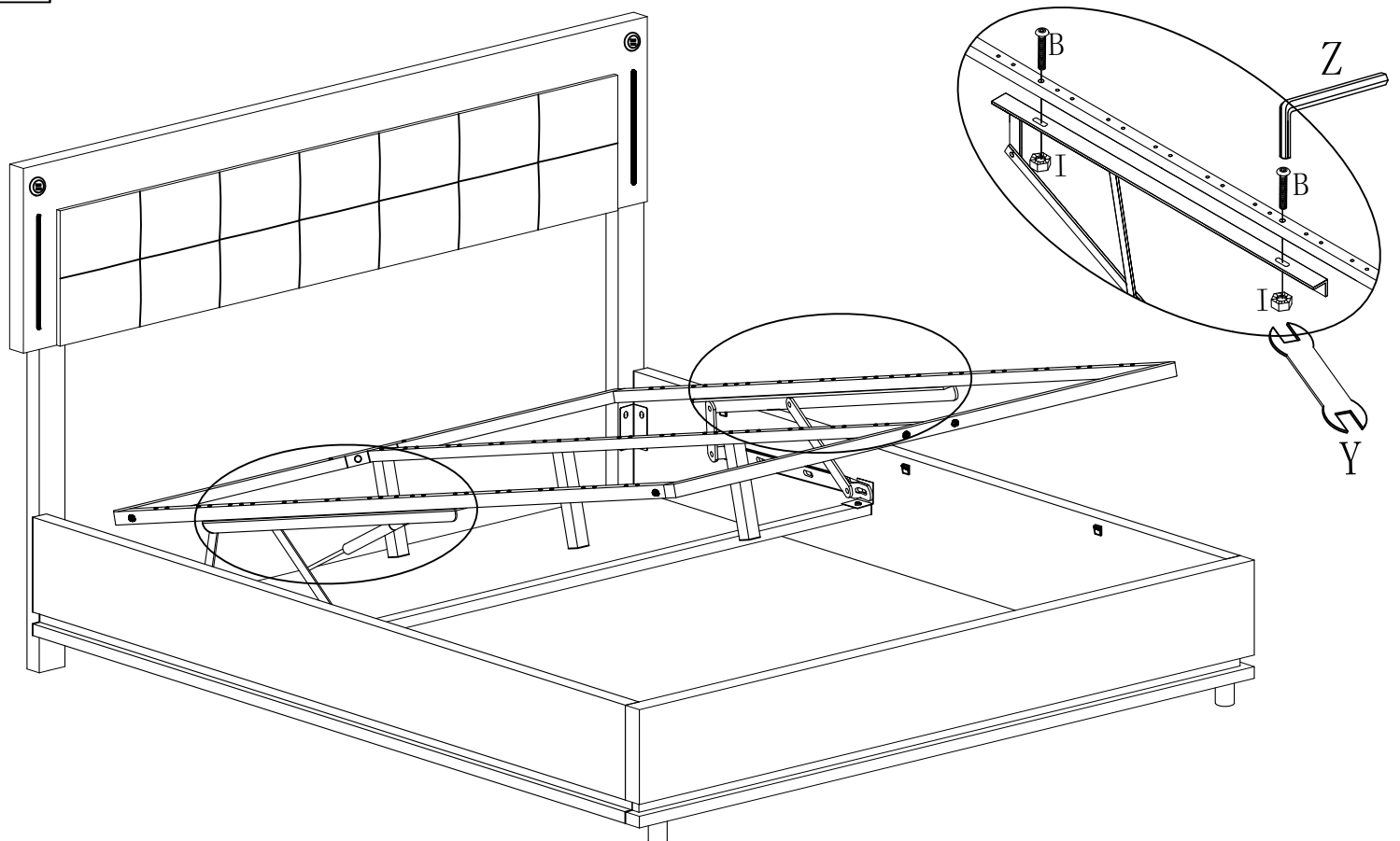
T  1



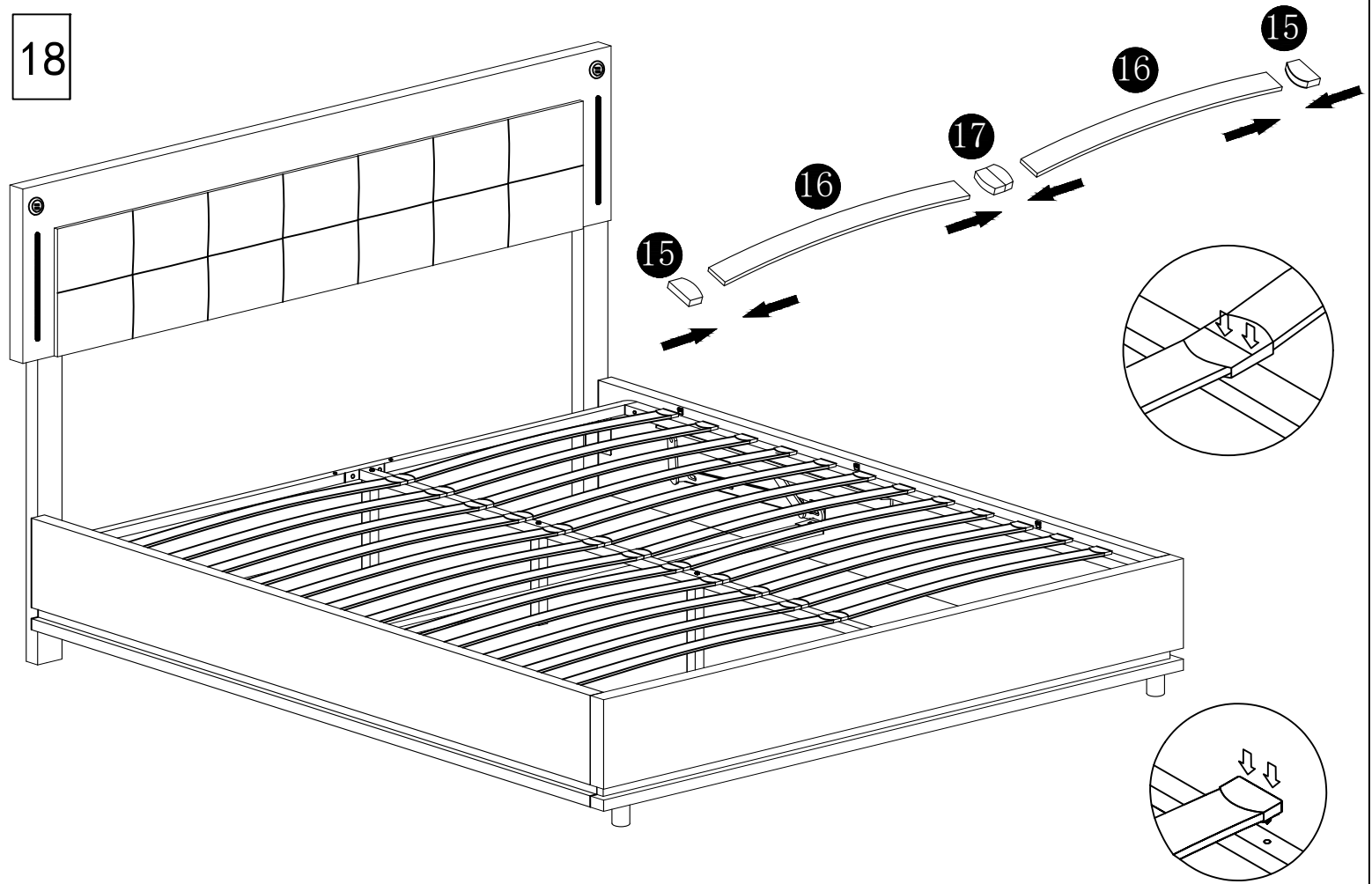
- | | | | | | | |
|----|---|---|---|---|---|---|
| 16 | W |  | 1 | V |  | 1 |
|----|---|---|---|---|---|---|



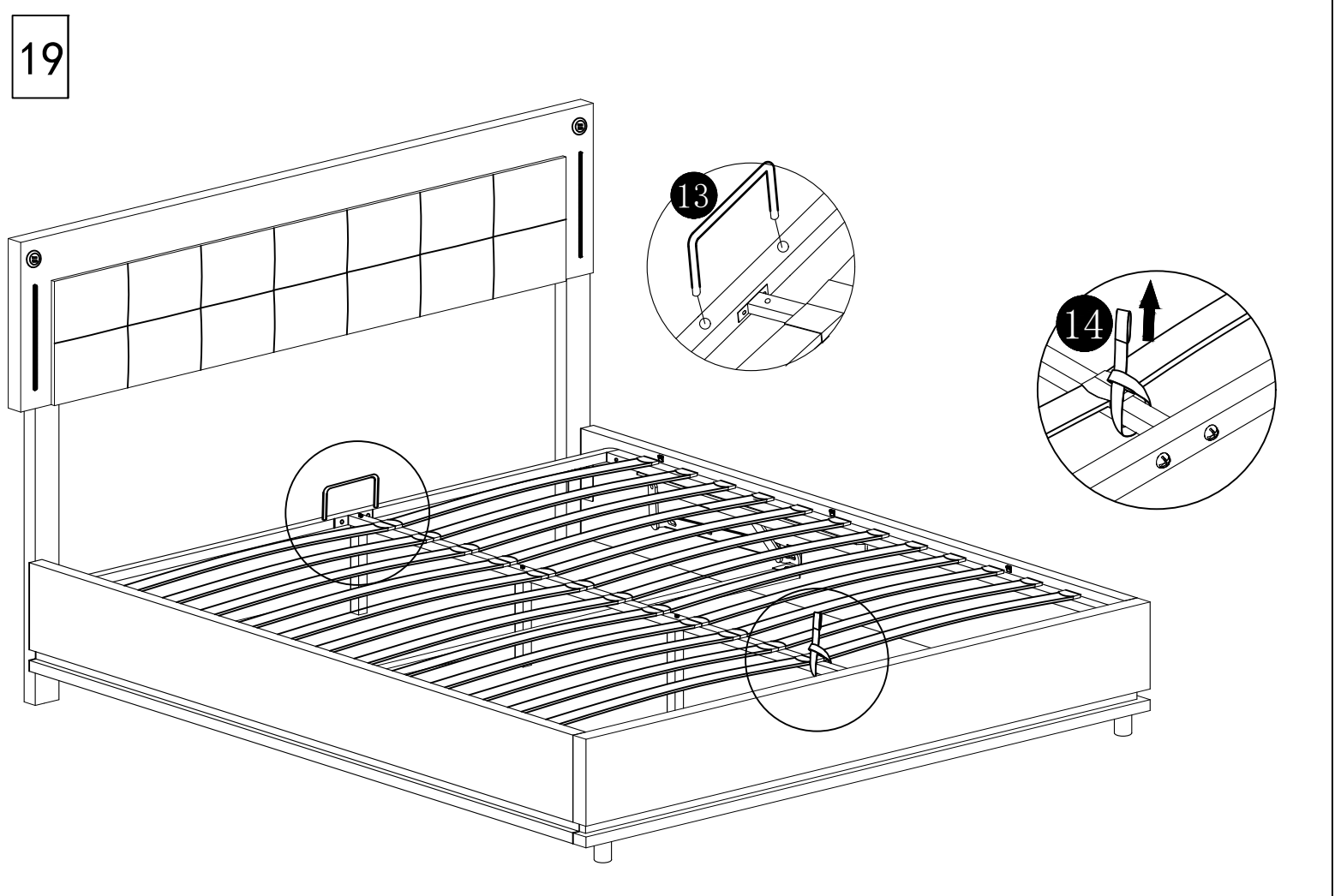
- | | | | | | | | | | | | | |
|----|---|---|---|---|---|---|---|---|---|---|---|---|
| 17 | Z |  | 1 | Y |  | 1 | B |  | 4 | I |  | 4 |
|----|---|---|---|---|---|---|---|---|---|---|---|---|

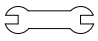


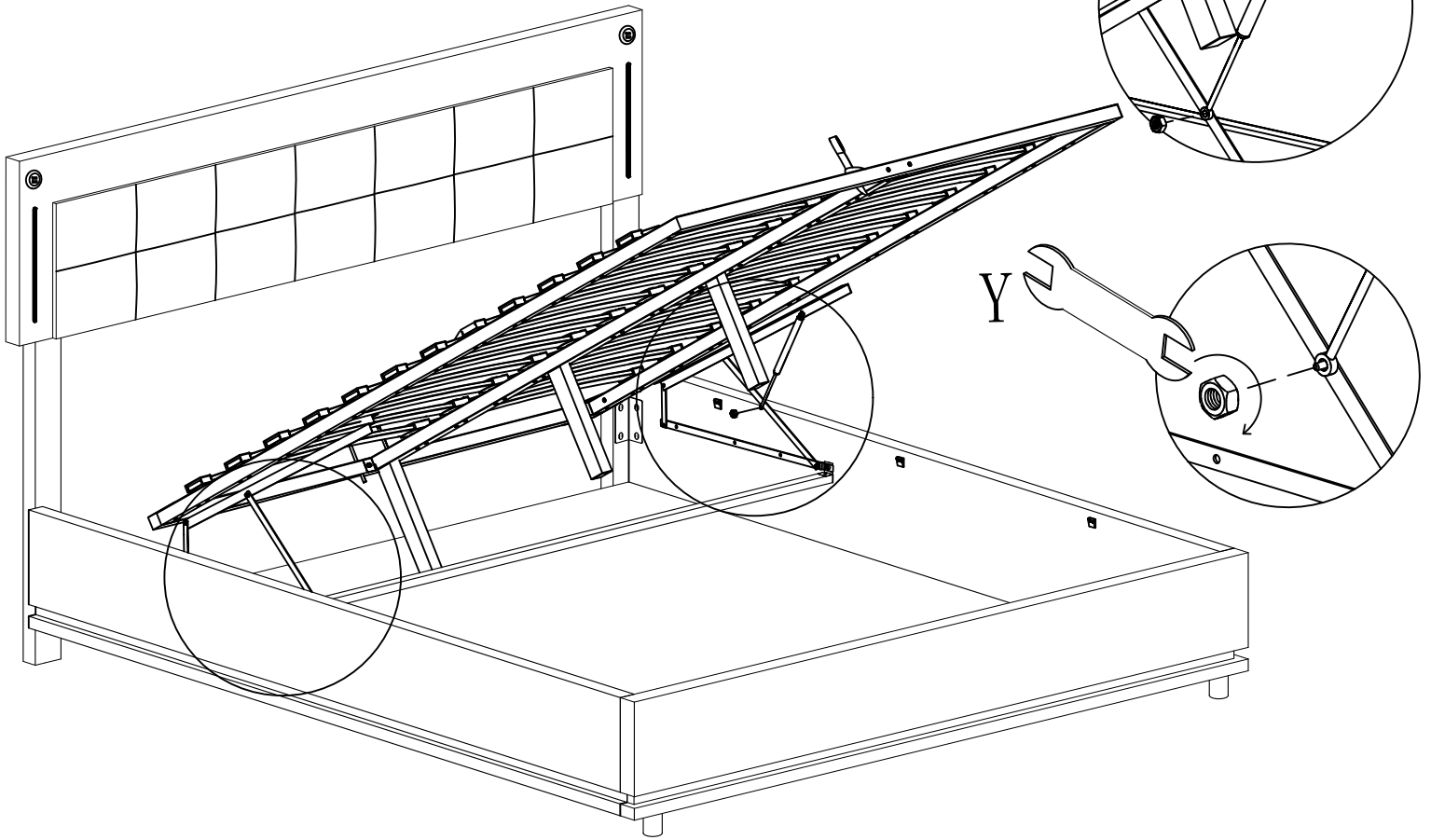
18



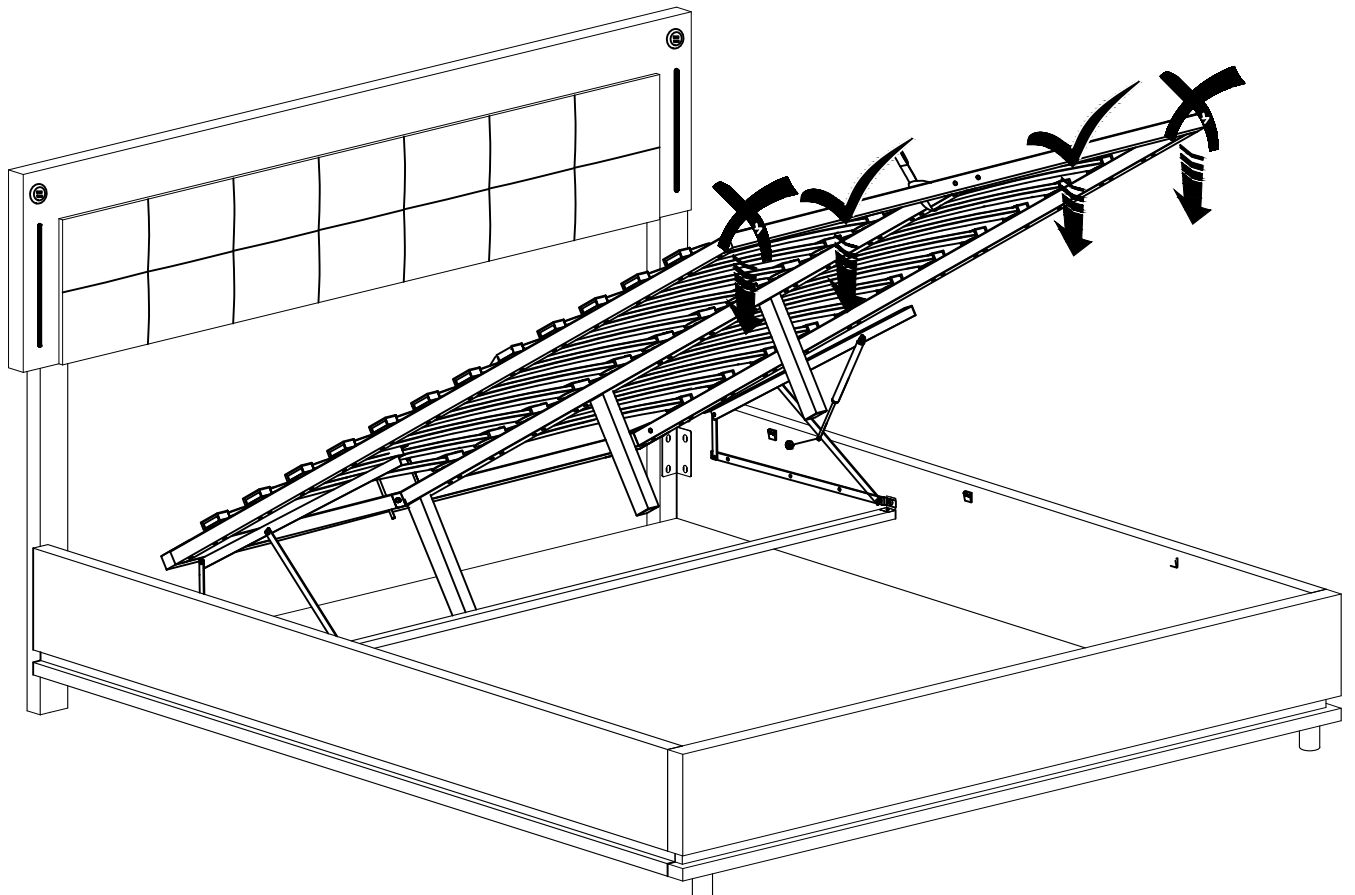
19



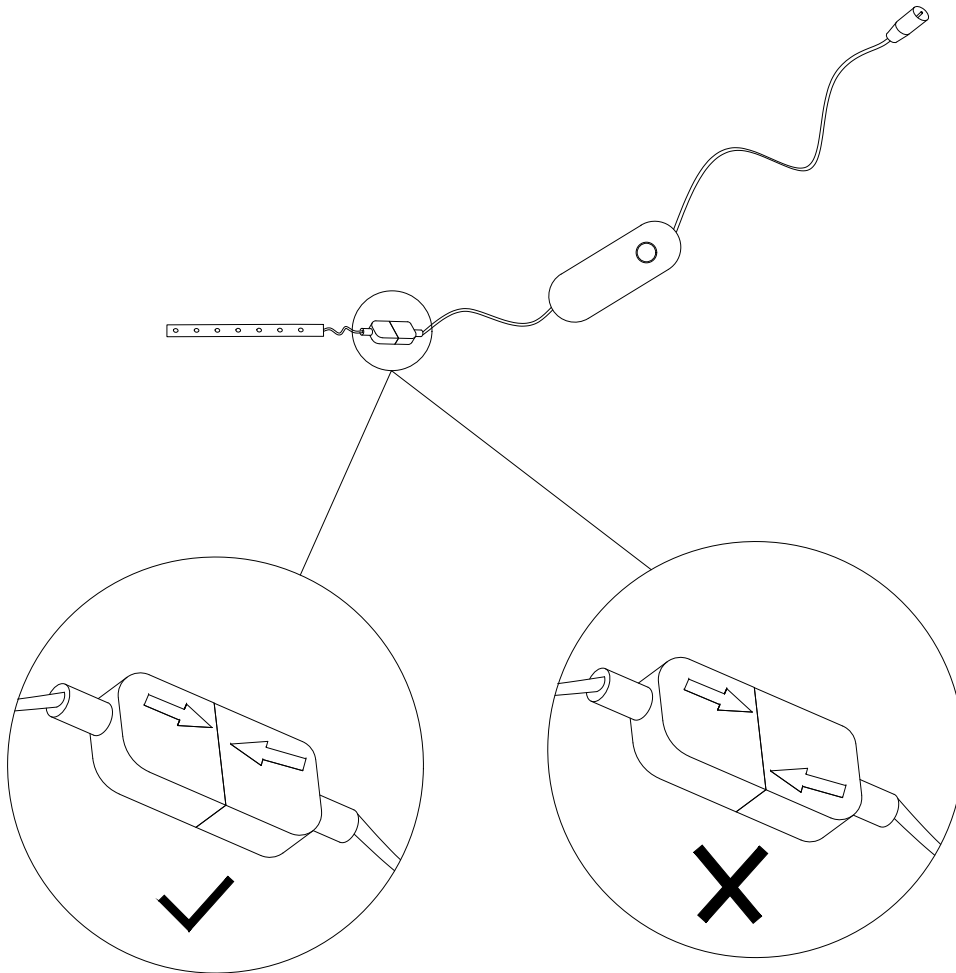
20 Y  1




21



USER MANUAL



1. When you connect LED light with the LED control please make sure the plugs remain arrow to arrow

 WARNING	
THIS PRODUCT CONTAINS A BUTTON BATTERY	
If swallowed, a lithium button battery can cause severe or fatal injuries within 2 hours.	
Keep batteries out of reach of children.	
If you think batteries may have been swallowed or placed inside any part of the body, seek immediate medical attention.	

Note: Android version and ios version download and use the same method, here in the Android version as an example.

Scan the QR code

ios and Android systems can download the "LotusLantern" APP by scanning the QR code. Open the browser or other tools with "Scan QR code" function, scan the "LotusLantern" QR code as below:



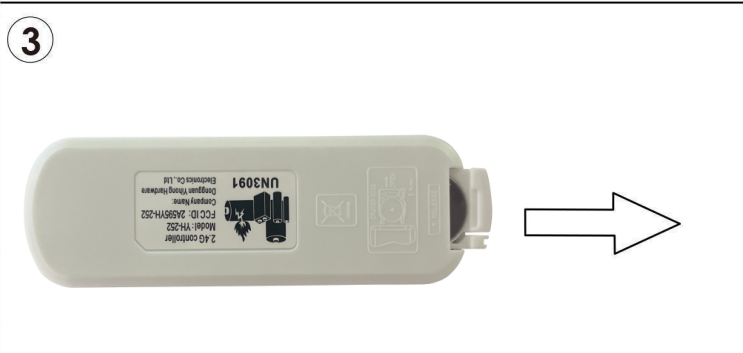
GB – NOTE: The battery in the remote control requires you to purchase and install it yourself.
Model: CR2025 3.V

DE – HINWEIS: Die Batterie in der Fernbedienung müssen Sie selbst kaufen und installieren
Modell: CR2025 3.V

FR – REMARQUE : la pile de la télécommande doit être achetée et installée par vos soins.
Modèle : CR2025 3.V

IT – NOTA: la batteria del telecomando deve essere acquistata e installata autonomamente.
Modello: CR2025 3.V

ES – NOTA: La pila del mando a distancia debe comprarla e instalarla usted mismo
Modelo CR2025 3.V





Declaration of Conformity

Certificate No. : AOCE240301111-EC
Applicant : Zhongshan Quanluo Lighting Co., Ltd.
Address : 5th Floor, Building 2, No. 3, Yongyi 6th Road, Yongxing Industrial Zone,
Henglan Town, Zhongshan City, Guangdong Province
Product : LED Light Strip
Trademark : /
Model(s) : KB72RGB-S5050-12V, KB120RGB-S5050-12V, KB60RGB-S5050-12V,
KB30RGB-S5050-12V, KB72RGB-S5050-24V, KB120RGB-S5050-24V,
KB60RGB-S5050RGB-24V, KB30RGB-S5050-24V, KB120S2835-12V,
KB60S2835-12V, KB180S2835-12V, KB240S2835-12V, KB120S2835-24V,
KB60S2835-24V, KB180S2835-24V, KB240S2835-24V, KB180HCSS-12V,
KB240HCSS-12V, KB180HCSS-24V, KB240HCSS-24V, KB384COB-12V,
KB480COB-12V, KB480COB-24V, KB180COB-12V, KB196COB-12V,
KB320COB-12V, KB400COB-12V, KB320COB-24V, KB240COB-24V,
KB312COB-24V, KB360COB-24V, KB480COB-24V, KB400COB-24V,
KB512COB-24V
Manufacturer : Zhongshan Quanluo Lighting Co., Ltd.
Address : 5th Floor, Building 2, No. 3, Yongyi 6th Road, Yongxing Industrial Zone,
Henglan Town, Zhongshan City, Guangdong Province
Test Report : AOCE240301111-E

Complies with the requirements of the
EC EMC directive 2014/30/EU with amendments.

Test Standards:

EN IEC 55015:2019+A11:2020

EN 61547: 2009

EN IEC 61000-3-2:2019+A1:2021

EN 61000-3-3: 2013+A1:2019+A2:2021

Remarks:

The **CE** markings as shown below can be affixed on the product after preparation of necessary conformity documentation, as stipulated in article 10 of the Council Directive **93/68/EEC**.



Zhongshan AOCE Testing Technology Co., Ltd.

Disika, 1/F., No.42, Chang'an South Road, Henglan, Zhongshan, Guangdong, China.

Te: +86-0760-87553128 Web: www.aoce-lab.com Email: guanlilin@aoce-lab.com



Declaration of Conformity



Certificate No. : STON210811372-SC
Applicant : Zhongshan Quanluo Lighting Co., Ltd
Address : 5th Floor, Building 2, No3, Yongyi Xixth Road, Yongxing Industrial Zone, Henglan Town, Zhongshan, Guangdong, China
Product : LED Light Strip
Trademark : /
Model(s) : TH-KB-12200-24W, TH-KB-12200-12W, TH-KB-12200-36W, TH-KB-12200-48W, TH-KB-12200-60W, TH-KB-12200-9W, TH-KB-12200-15W
Manufacturer : Zhongshan Quanluo Lighting Co., Ltd
Address : 5th Floor, Building 2, No3, Yongyi Xixth Road, Yongxing Industrial Zone, Henglan Town, Zhongshan, Guangdong, China
Test Report : STON210811372-S

Complies with the requirements of the
EC LVD directive 2014/35/EU with amendments.

Test Standards:

BS EN 60598-1:2015+A1:2018

EN 60598-2-21:2015 used in conjunction with

EN 60598-1:2015+A1:2018

Remarks:

Based on the voluntary assessment of the product sample and technical file, we confirm that the above-mentioned product meets the requirements of the UK directive.

The UKCA mark as show below can be used, under the responsibility of the manufacturer or the importer, after completion of an UK declaration of conformity and compliance with all relevant UK.

**UK
CA**



Guangdong STON Testing Technology Co., Ltd.

1/F, No.42 ChangAn South Road, Henglan Town, Zhongshan City, Guangdong Province, China.

Tel: +86-0760-87553128 Web: www.stoncert.com Email: guanlilin@ggtcert.com