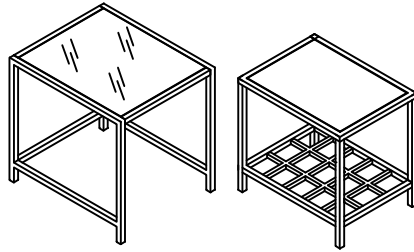


ASSEMBLY INSTRUCTIONS



074-915
1PC LARGE NESTING TABLE
1PC SMALL NESTING TABLE

TOOLS REQUIRED:

Allen Wrench (Provided, Part D & E)

BEFORE YOU START:

1. Check the hardware against the hardware list to make sure all items are present.
2. Assemble your furniture on a soft, flat surface to avoid scratching the finish.
3. **CAUTION:** Do not over tighten screws, nuts or bolts during assembly.
4. Your furniture may require occasional tightening.

INSTRUCTIONS:

Step 1. Insert the stretcher into the side frames. Tighten Bolt by Allen Wrench (E) as shown in Figure 1.

Step 2. Place the glass on top frame. Use the plastic pad (F) to install the glass as shown in Figure 2.

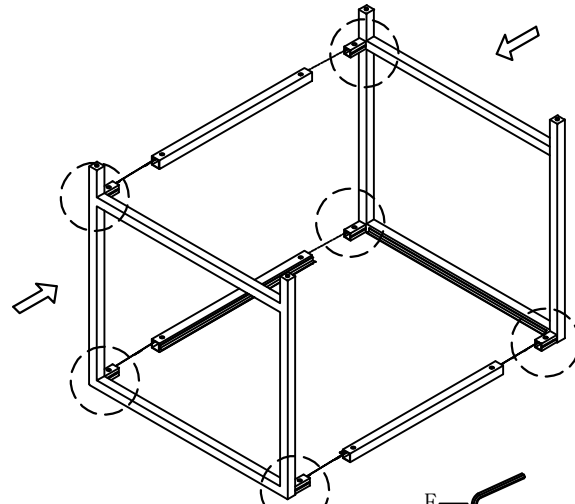


Figure 1

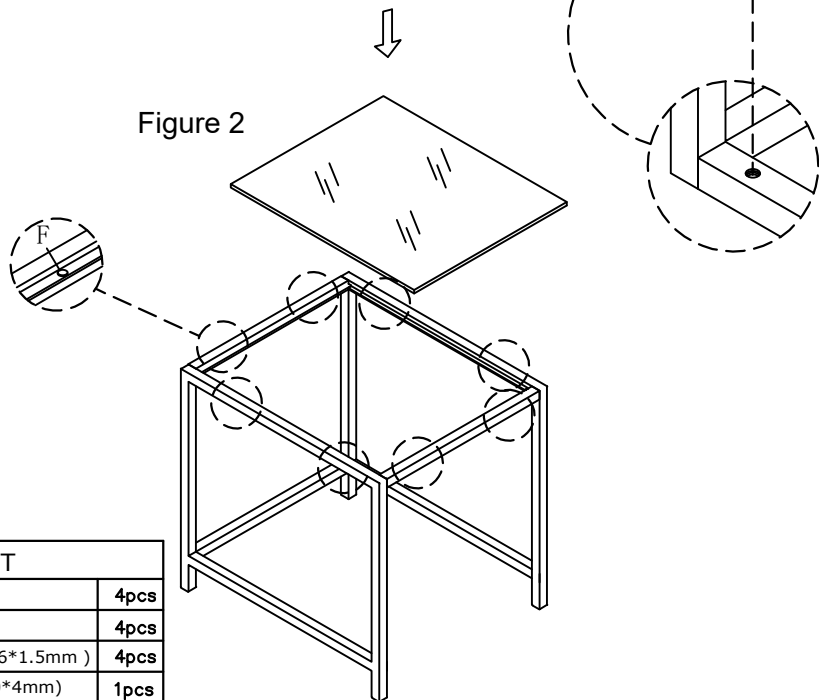

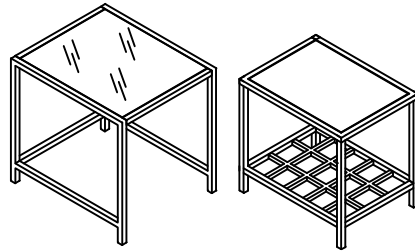


Figure 2

HARDWARE LIST			
A		Bolt (Ø1/4"x5/8")	4pcs
B		Lock Washer (Ø1/4")	4pcs
C		Flat Washer (Ø1/4"*16*1.5mm)	4pcs
D		Allen Wrench (100*50*4mm)	1pcs
E		Allen Wrench (100*50*5mm)	1pcs
F		Plastic Pad (Ø10*1mm)	8pcs

ASSEMBLY INSTRUCTIONS



074-915

1PC LARGE NESTING TABLE
1PC SMALL NESTING TABLE

TOOLS REQUIRED:

Allen Wrench (Provided, Part D & E)

INSTRUCTIONS:

Step 3. Insert the bottom frame and top panel into the side frames. Tighten Bolt by Allen Wrench (E) as shown in Figure 3.

Step 4. Lock the top panel and tighten Bolt (A) with Flat Washer (C)+Lock Washer (B) by Allen Wrench (D) as shown in Figure 4.

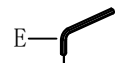
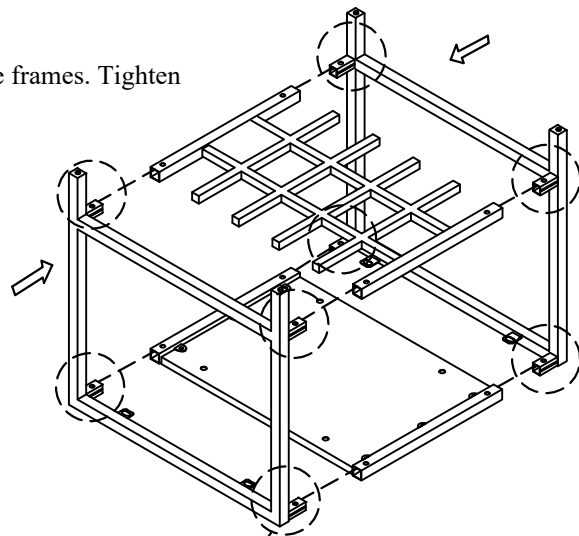


Figure 3

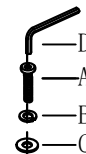
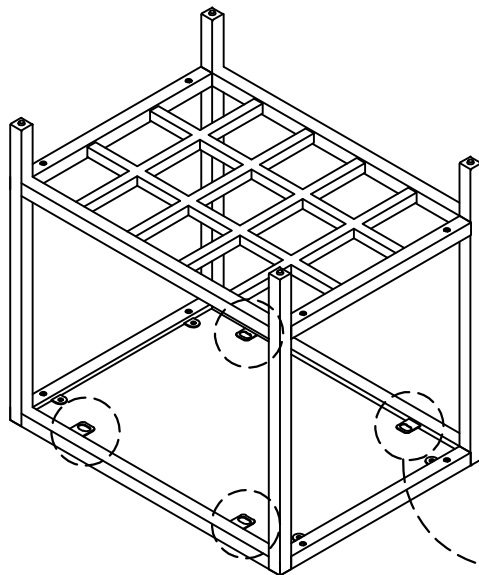


Figure 4