

MODEL 2-PLCSAB/2-PLCSW

# Pool Lounge Chairs Set of 2

## USE AND CARE GUIDE



### Pool Lounge Chairs Set of 2 x1

---

**Questions, problems, missing parts?**

Before returning to the store, please contact our Customer Service

---

**THANK YOU**

We appreciate the trust and confidence you have placed in our store by purchasing this Pool Lounge Chairs We strive to continually create quality products designed to enhance your home. Visit us online to see our full line of products available for your home improvement needs.



**Installation Video**  
use phone camera to scan

---

# Table of Contents

<b>Table of Contents</b> .....	<b>01</b>
<b>Important Safety Information</b> .....	<b>02</b>
- Product Caution .....	<b>02</b>
- Safety Warnings .....	<b>02</b>
<b>Warranty</b> .....	<b>03</b>
<b>Pre-Installation</b> .....	<b>03</b>
- Planning Installation .....	<b>03</b>
- Hardware Included .....	<b>04</b>
<b>Installation</b> .....	<b>07</b>
<b>Care and Cleaning</b> .....	<b>15</b>

# Important Safety Information

## Product Caution

### Before You Start

- When you are ready to start, make sure that you have the right tools, plenty of space and a clean, dry area for assembly.
- Unwrap all packaging materials and place the components on top of the carton box or on a clean floor to prevent it from scratching.
- Check the pack and make sure you have all the parts listed.
- Once installed, the product cannot be detached. Strictly follow each step in the installation manual.
- Ensure that this product is fully assembled as illustrated before use.

## Safety Warnings

- Please keep children out of the assembly area before assembly.
- Some parts may contain sharp edges. Wear protective gloves if necessary during assembly.
- Do not use or store this product in the proximity of open flame or flammable/combustible chemicals.
- If any parts are missing, broken, damaged, or worn, stop using this product until repairs are made and/or factory replacement parts are installed.
- Do not tighten screws until fully assembled.
- When not in use, secure the product in a cool and covered location.
- Do not shake, lean or climb this product.

# Warranty

## 1 YEAR WARRANTY

### What Is Covered

Any product or part which fails due to structural defect or faulty workmanship, or which fails due to fading of color, for one year period from the initial date of purchase.

### What Is Not Covered

This warranty does not cover commercial use, hardware, acts of nature, reuse, freezing and abusive use. In addition, purchased parts are not covered under this warranty. We reserve the right to make substitutions with similar merchandise, if the model in question is no longer in production.

# Pre-Installation

## Planning Installation

Read all instructions before assembly.

To avoid damaging this product, assemble it on a soft, non-abrasive surface such as carpet or cardboard.

During installation, please refer to the accessories guide to ensure that they are installed in the correct directions.

Wear safety-goggles and always follow the manufacturer's instructions when using power tools.

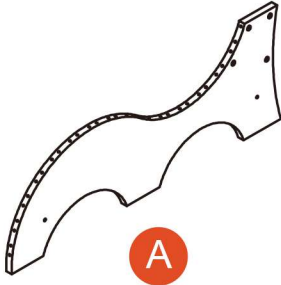


CHAIR  
400LBS  
CAPACITY



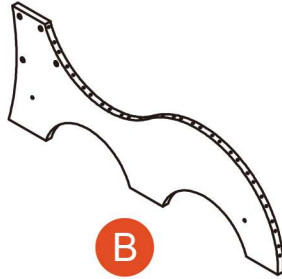
RECOMMENDED  
FOR 2 PEOPLE  
ASSEMBLY

## Hardware included



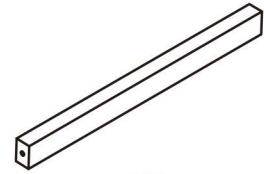
**A**

(1PC)



**B**

(1PC)



**C**

(2PCS)



**D**

(15PCS)



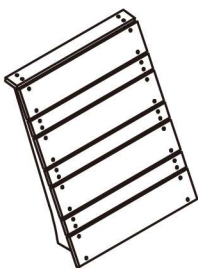
**E**

(1PC)



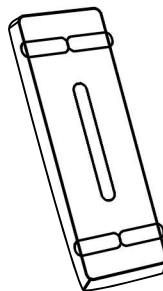
**F**

(1PC)



**G**

(1PC)



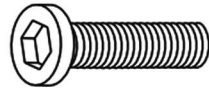
**H**

(1PC)

## Hardware included



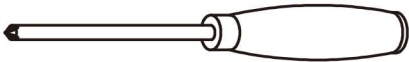
1  
(4PCS)  
(M6\*35)



2  
(16PCS)  
(M6\*25)



3  
(62PCS)  
(M4\*30)



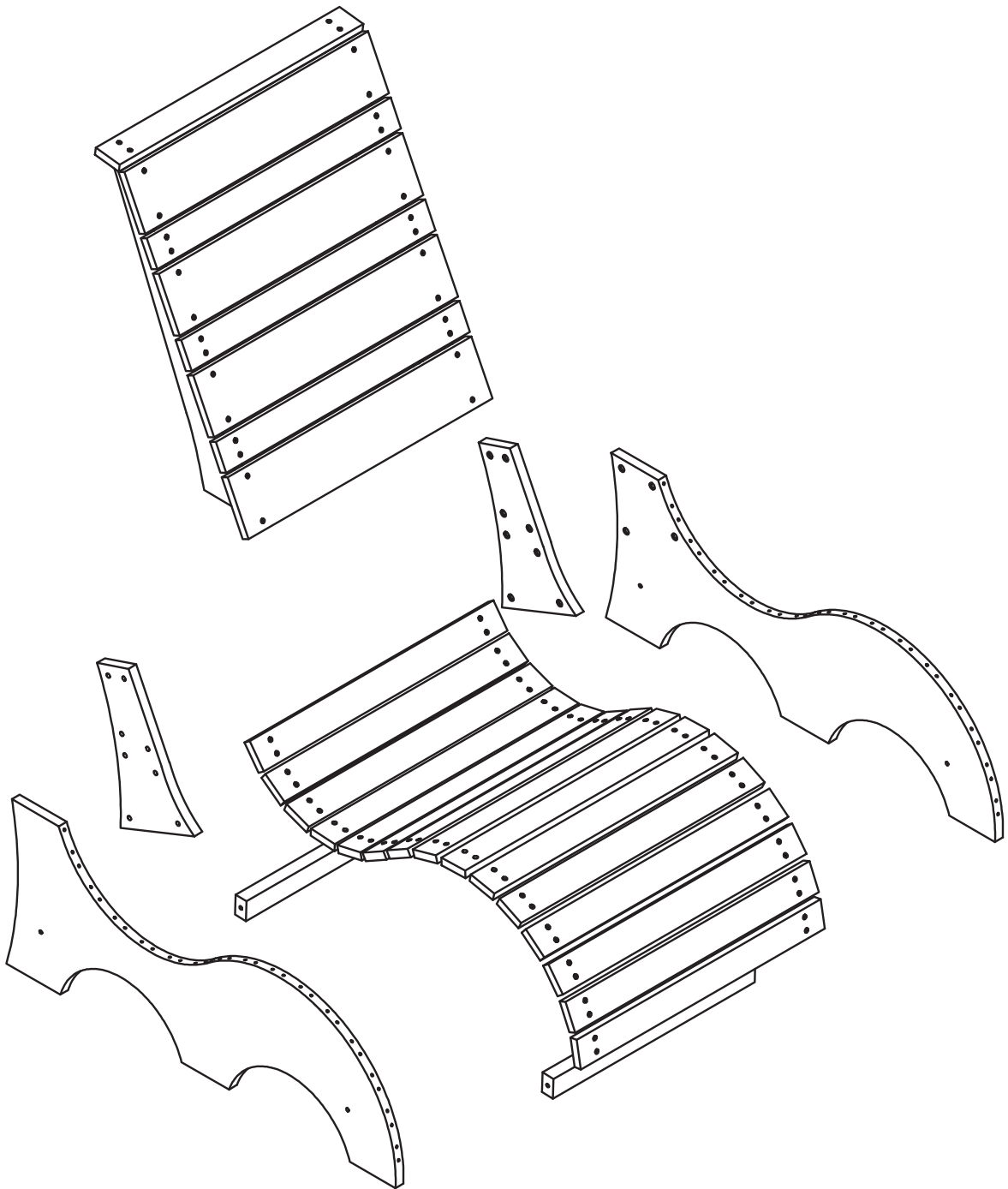
4  
(1PC)  
(M6\*35)



5  
(1PC)  
(4mm)

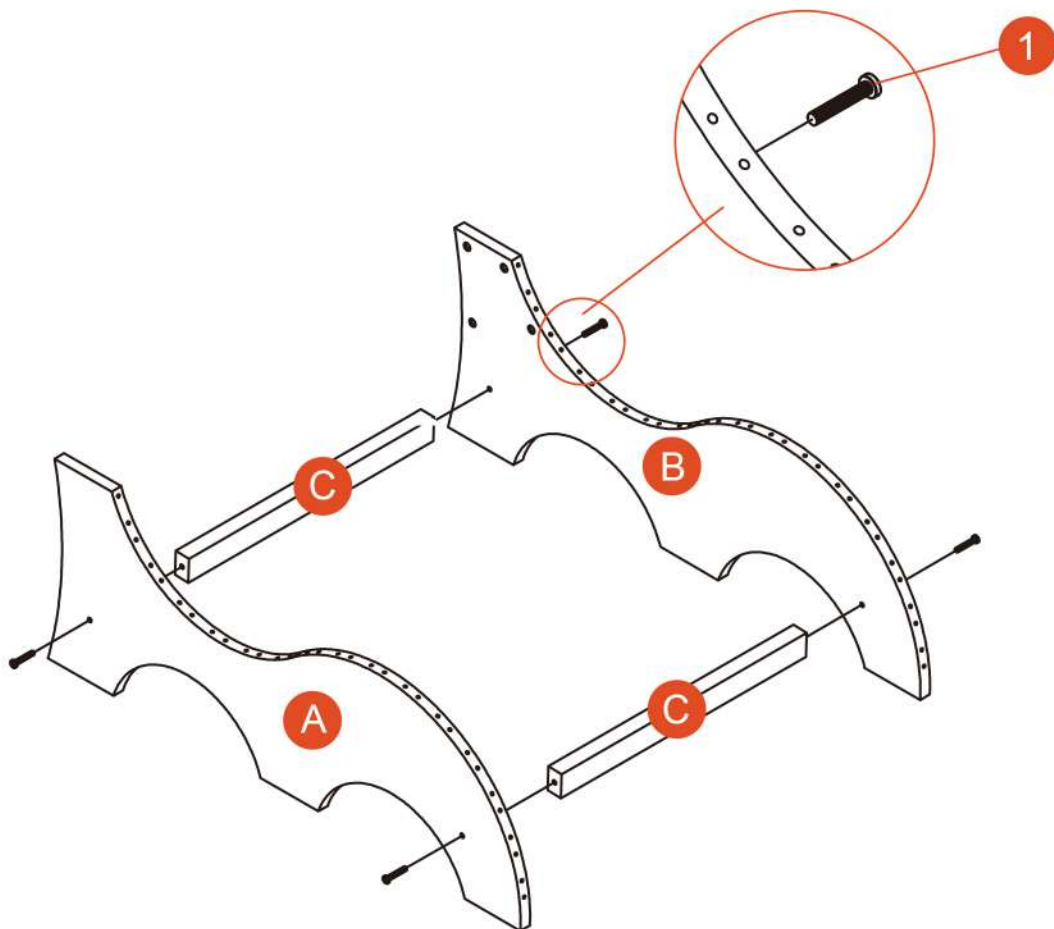
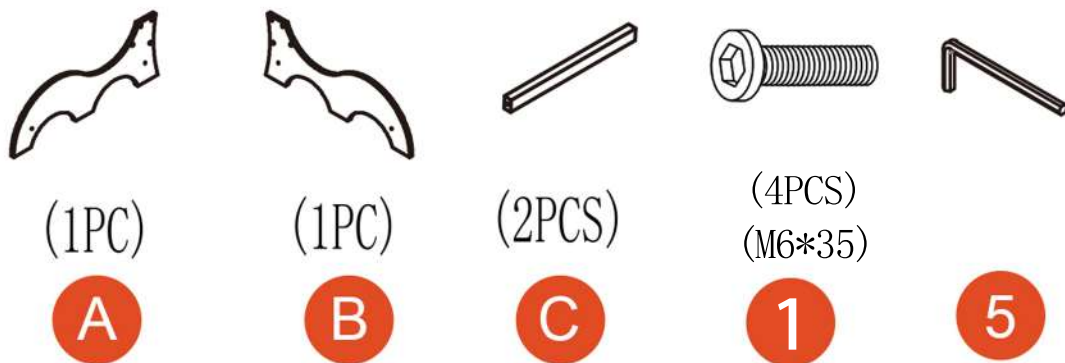
## Hardware included

A	Right leg plate	1
B	Left leg plate	1
C	Boottom connecting rod	2
D	Seat board	15
E	Right backrest connecting plate	1
F	Left backrest connecting plate	1
G	Backrest	1
H	Sandbag	1
1	M6*35MM	4
2	M6*25MM	16
3	M6*30MM	62
4	Screwdriver	1
5	M4 Allen wrench	1



## STEP 1

Install the part C (rods) to part A (left leg) and part B (right leg) with the screws 1.



## STEP 2

Install the part D (seat plates) to part A and B (leg plates) with the screws 3.  
 (Please pay attention to aligning all the holes)

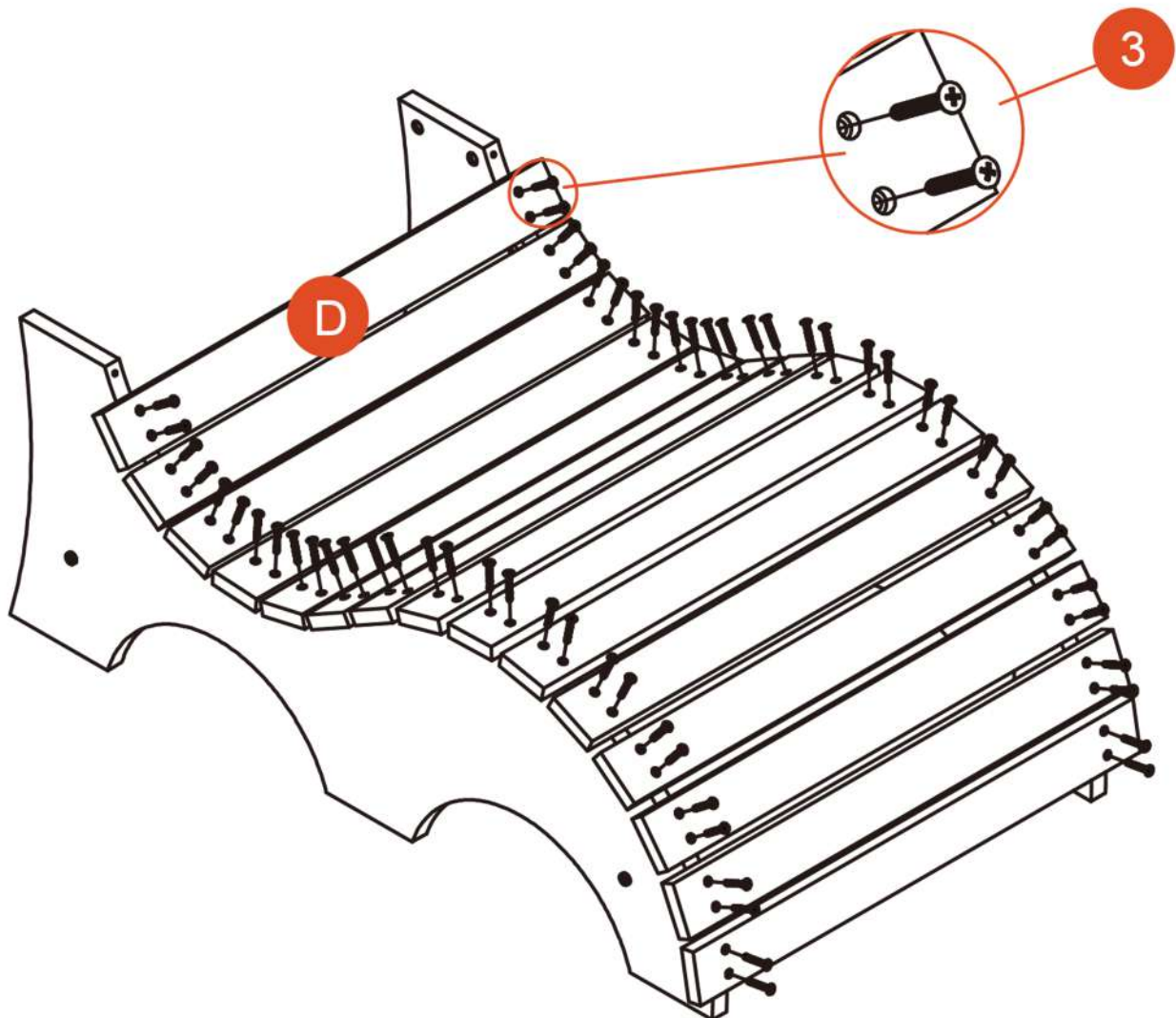


(15PCS)



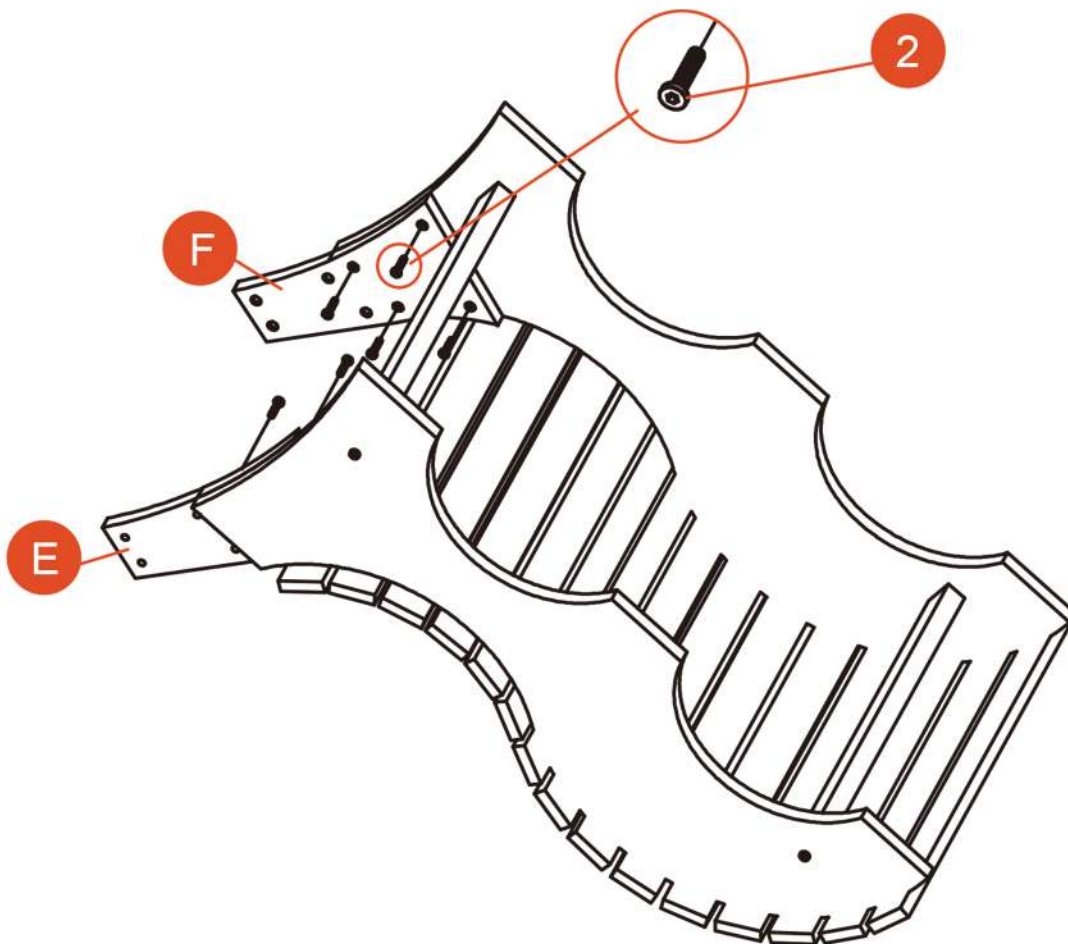
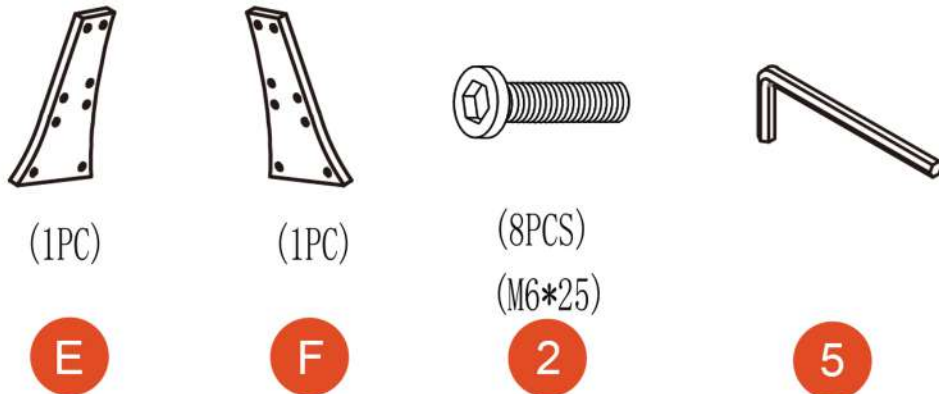
(60PCS)

(M4\*30)



### STEP 3

Connect the part E and F (support plates) with part B and A (leg plates) correspondingly with the screws 2. (Please do NOT tighten the screws in this step)



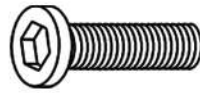
## STEP 4

Connect the part G (back plates) with part E and F (support plates) with the screws 2, and tighten all the loose screws after confirming the edges of all the parts are aligned.



(1PC)

**G**

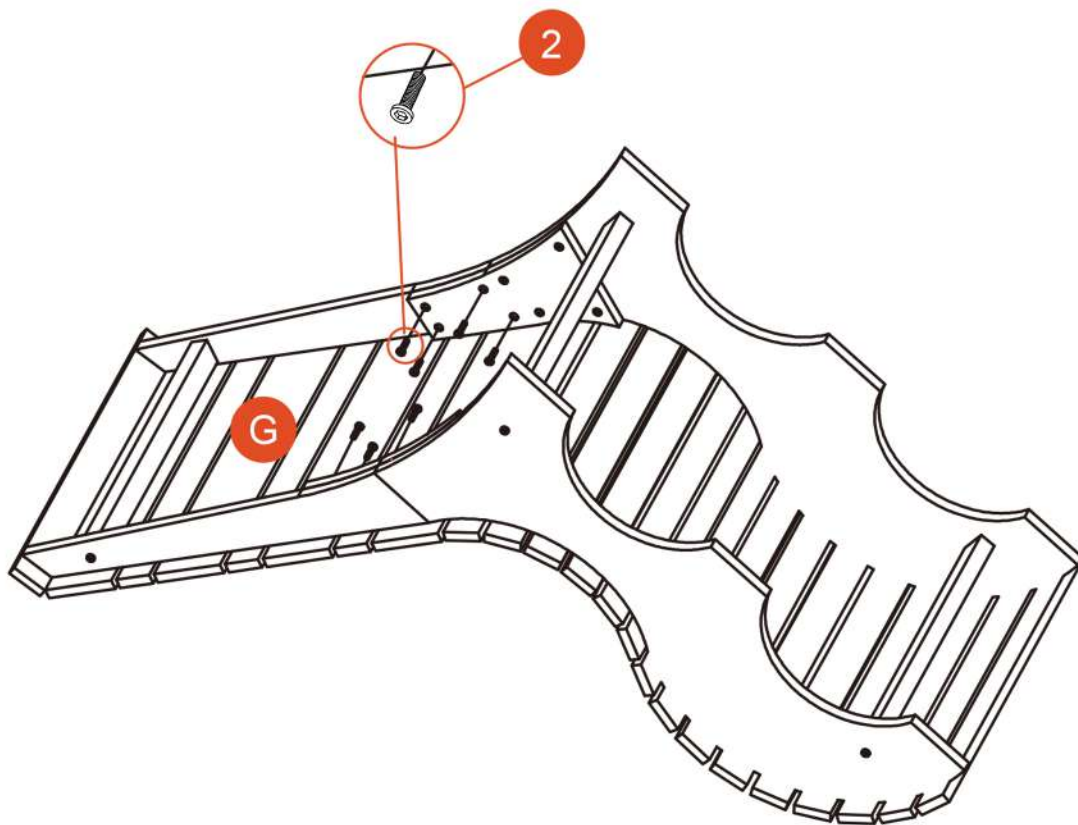


(8PCS)  
(M6\*25)

**2**



**5**

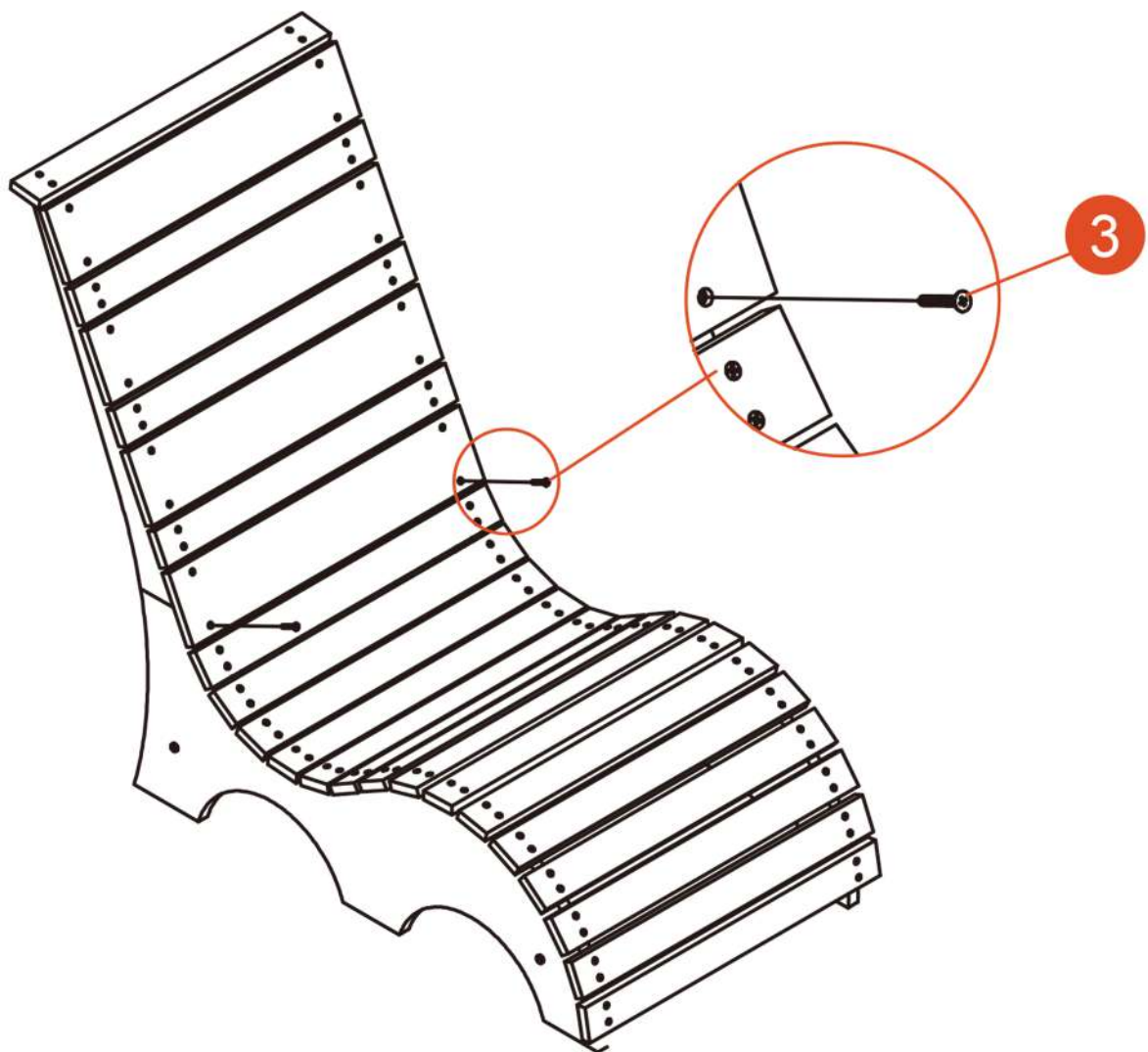


## STEP 5

Install the part G (back plates) to part A and B (leg plates) with the screws 3.

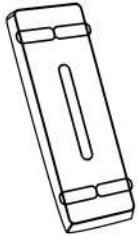
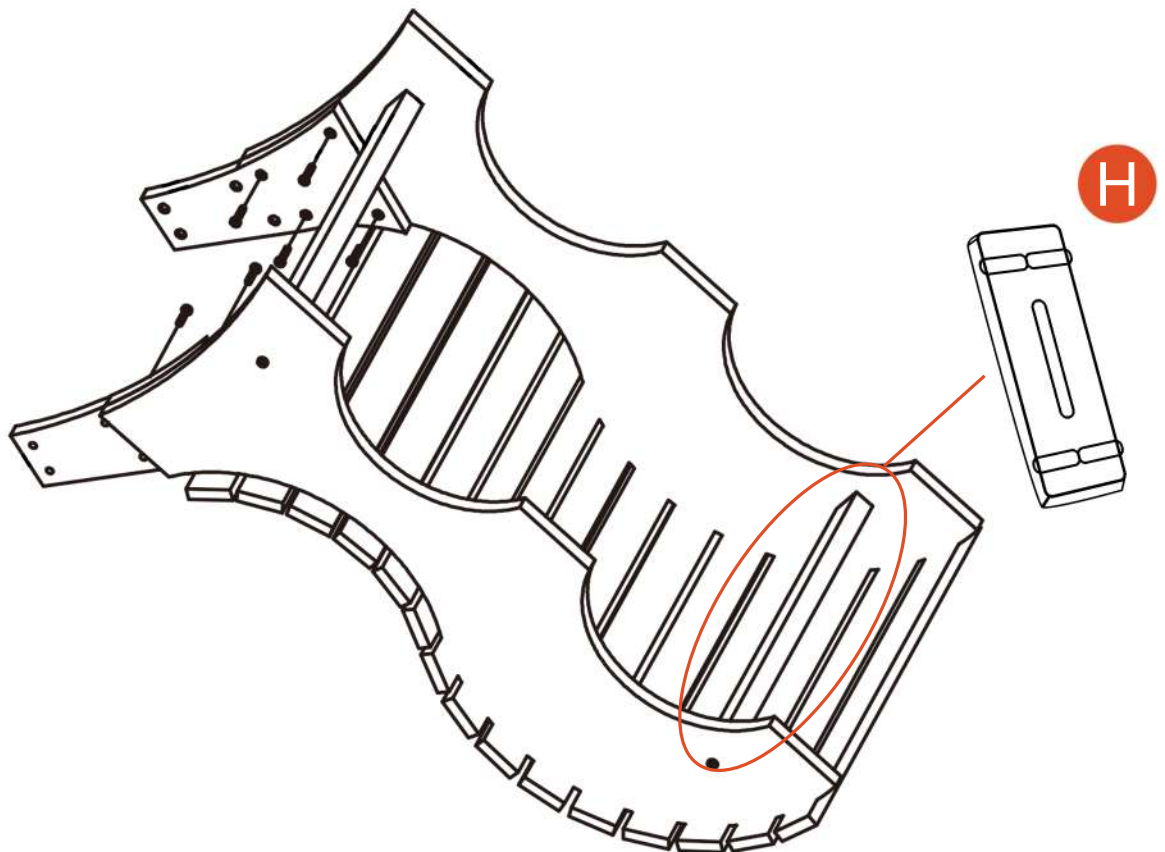


(2PCS)  
(M4\*30)

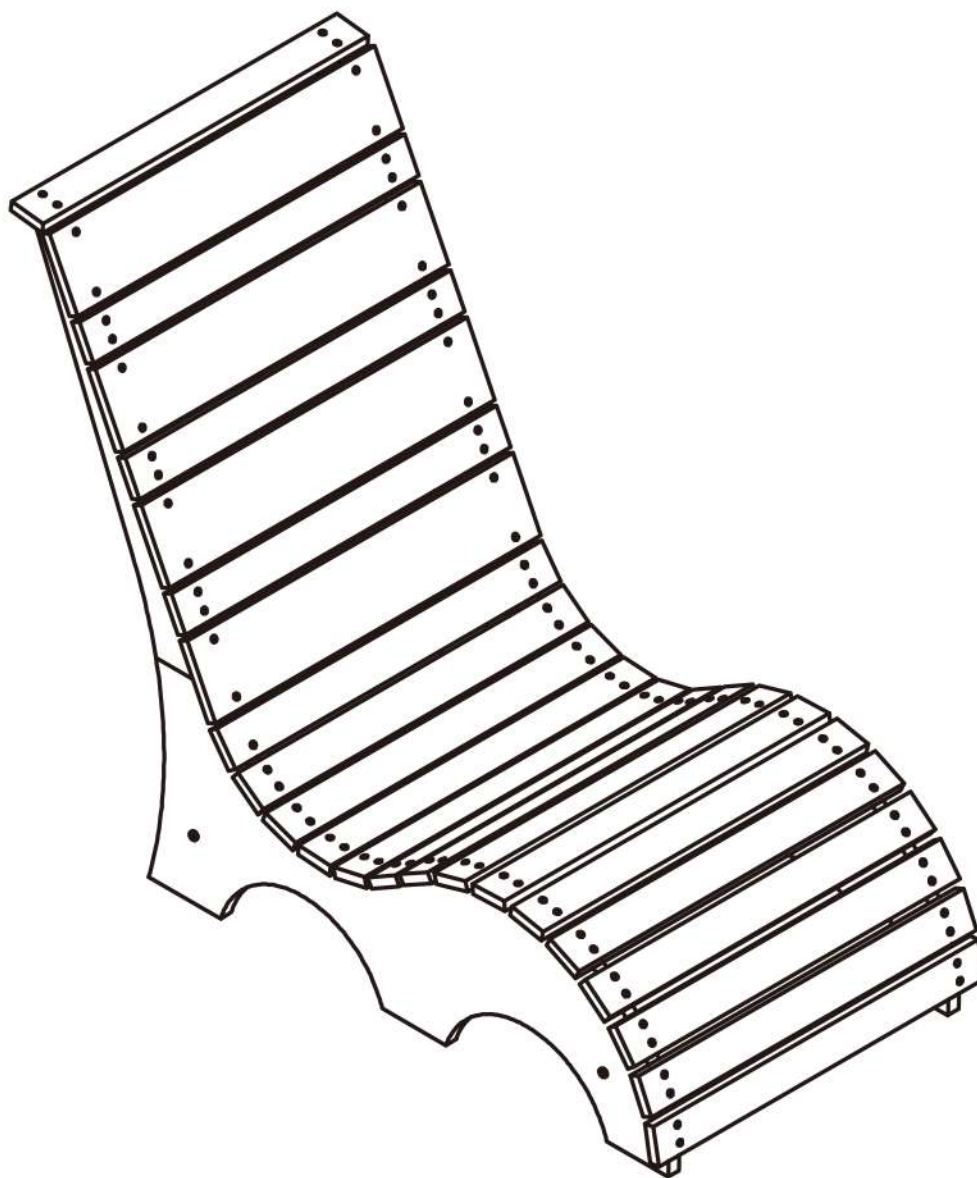


## STEP 6

Fill the sandbag with 8kg dry sand, Place it under the seat and secure to the C-pole to prevent floating.

**H**

## STEP 7



## Care and Cleaning

- To clean wipe with a sponge and warm soapy water then wipe with a dry, clean cloth.
- Do not use solvent based cleaners or detergents as they can bleach or damage the product.
- Never use a pressure hose or washer to clean the product.
- Never use scourers, abrasives or chemical cleaners.
- Wipe clean with a soft dry cloth.
- Store the product in a cool dry place. Before storage ensure that it is clean and dry.
- We recommend the use of furniture covers to protect your product when not in use. During bad weather and winter months the product should be stored in a cool dry place.