

# ASSEMBLING INSTRUCTION

CODE: BK9012F/13F-3C

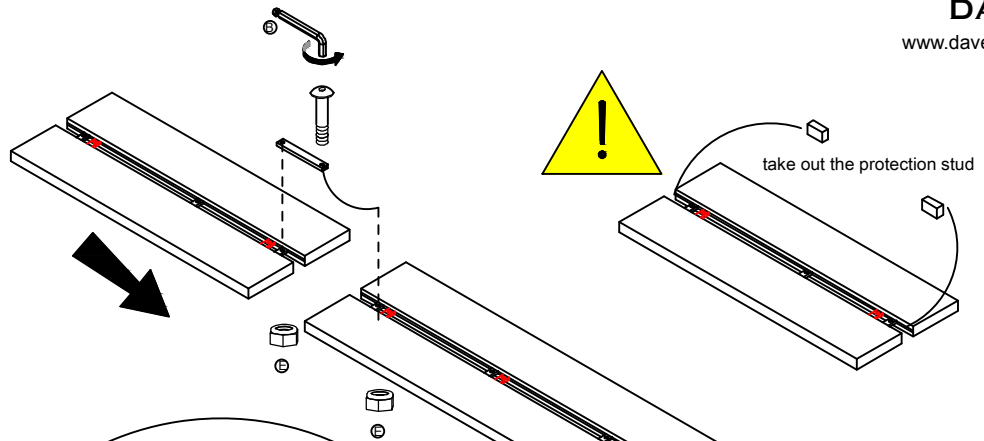


DAVEE

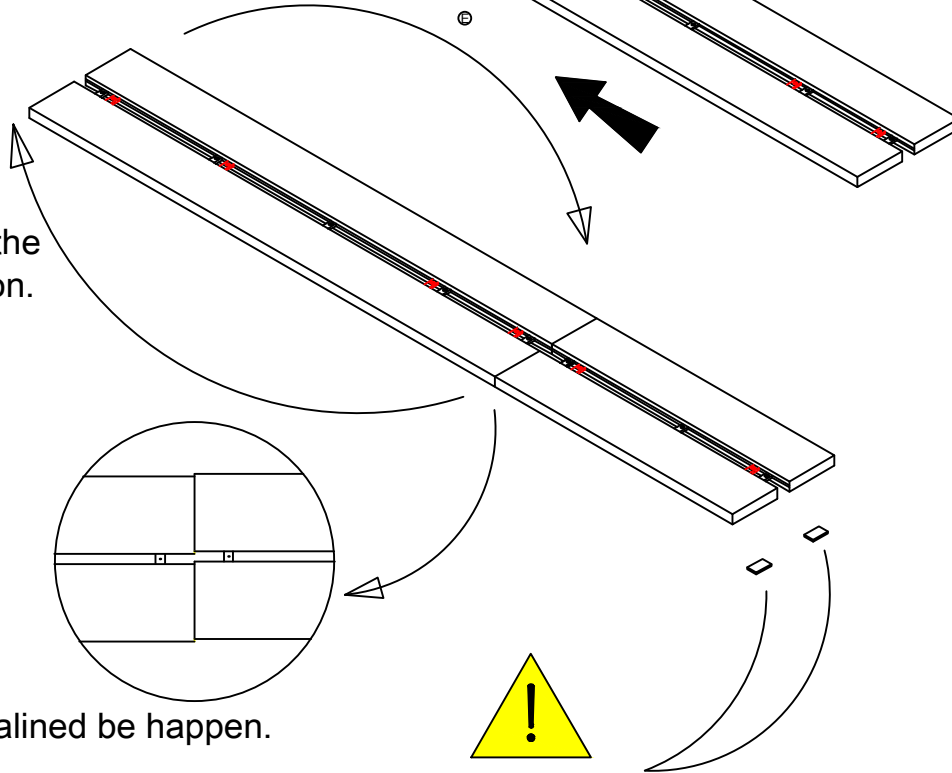
www.daveefurniture.com

## STEP 1

Attach 2 panels together via metal tube through panel metal slat hole, the metal tube can be on the metal slat.



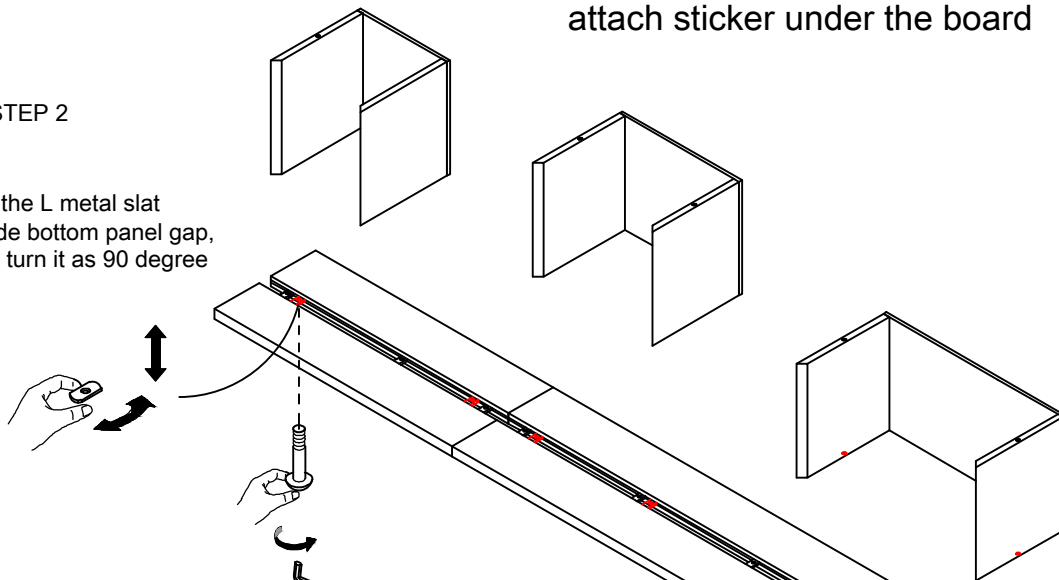
please turn the panel direction.



attach sticker under the board

## STEP 2

Put the L metal slat inside bottom panel gap, and turn it as 90 degree



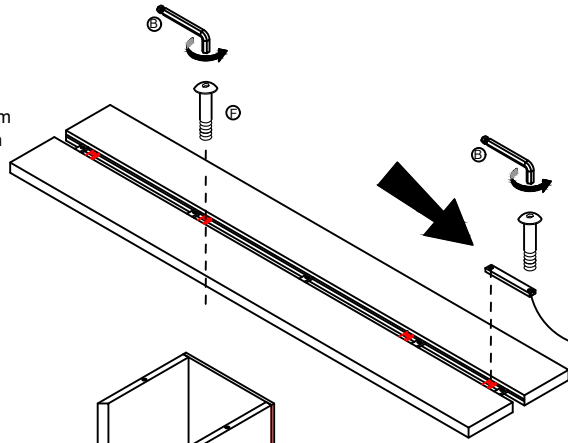
## STEP 3

Put the divider panel on bottom panel, attach together through metal slat hole



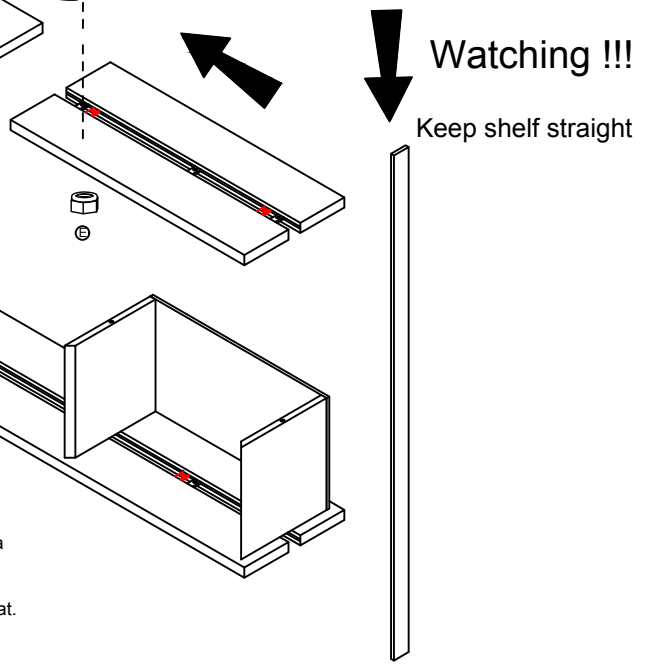
STEP 5

Put the divider panel on bottom panel, attach together through metal slat hole



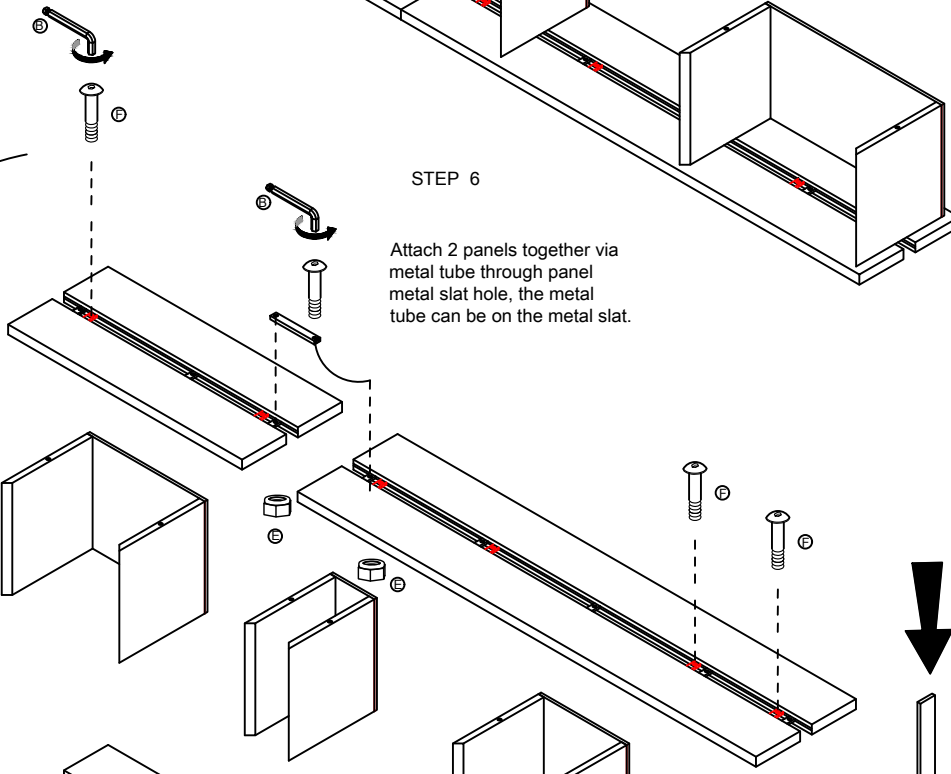
STEP 4

Attach 2 panels together via metal tube through panel metal slat hole, the metal tube can be on the metal slat.



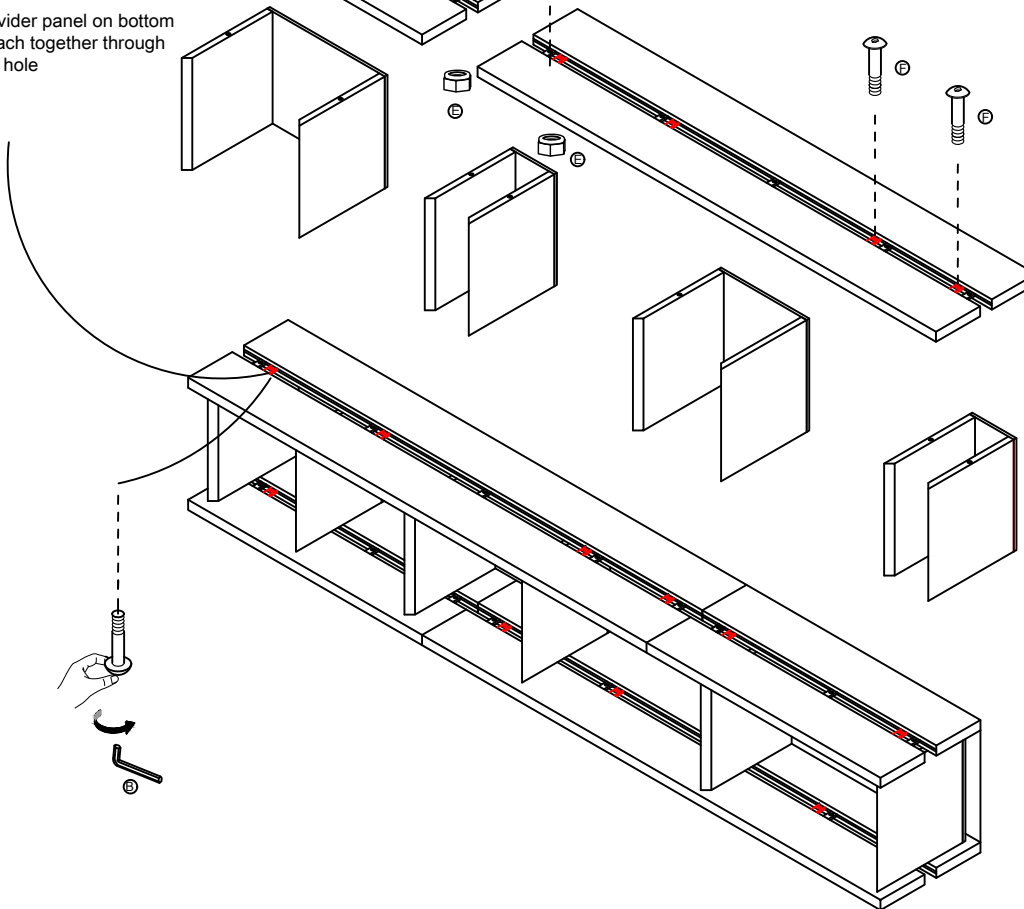
STEP 6

Attach 2 panels together via metal tube through panel metal slat hole, the metal tube can be on the metal slat.

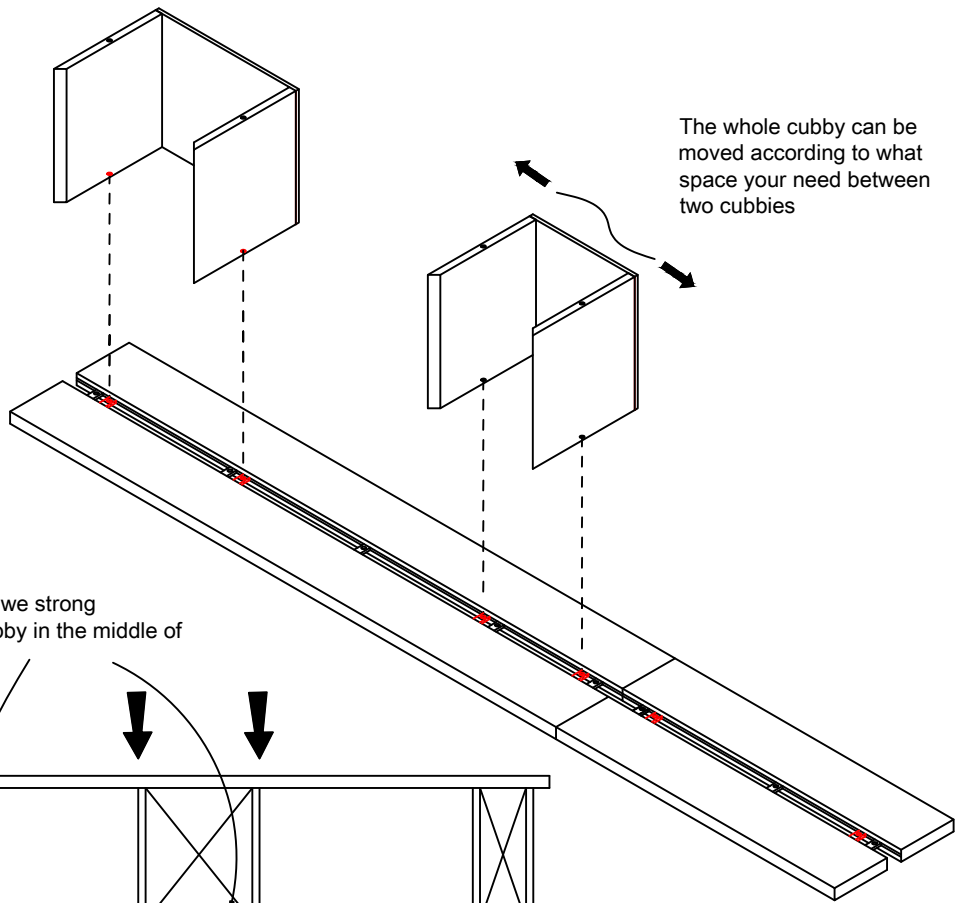


STEP 7

Put the divider panel on bottom panel, attach together through metal slat hole



Watching !!!  
Keep shelf straight



The whole cubby can be moved according to what space you need between two cubbies



If shelf loading more items, we strong recommend you set the cubby in the middle of two panels joint place

