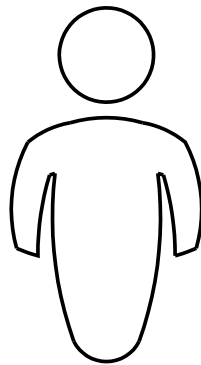
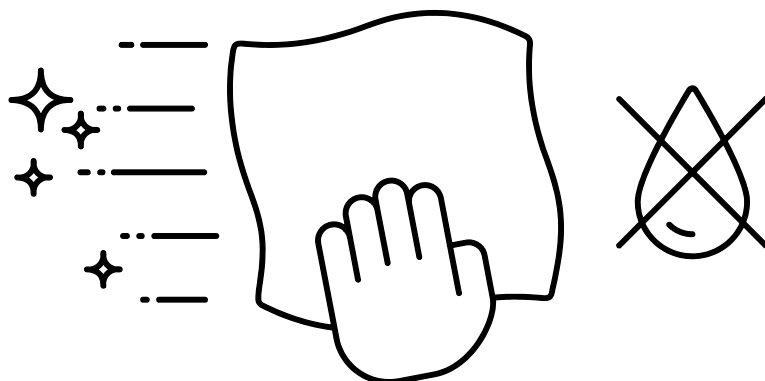
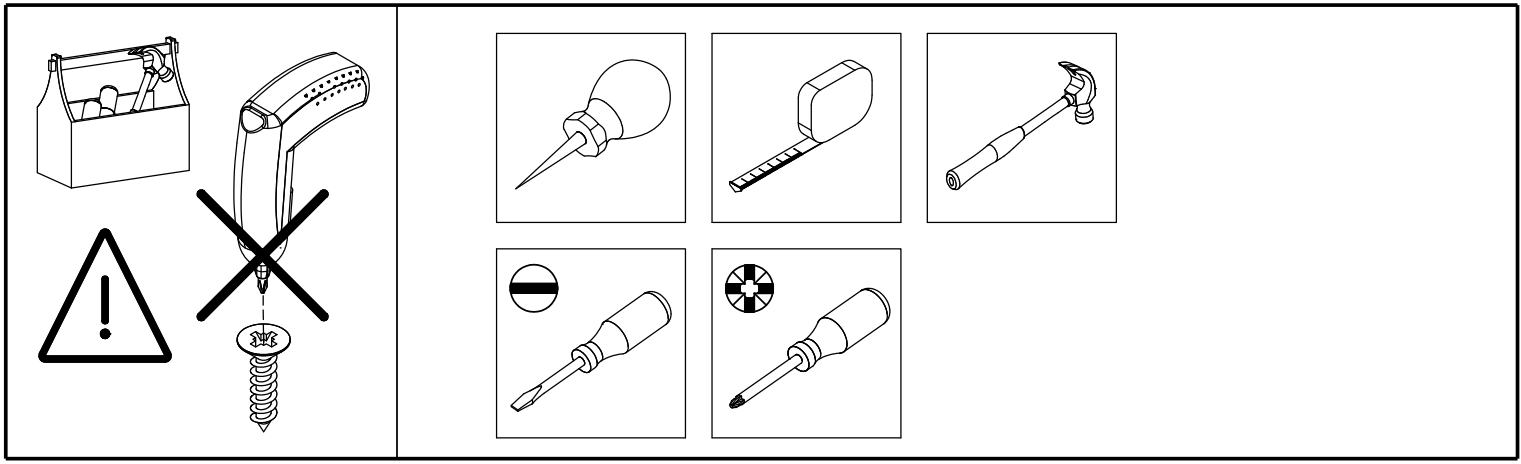


2-3 hr

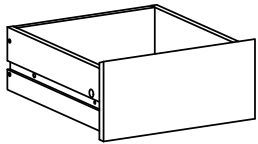
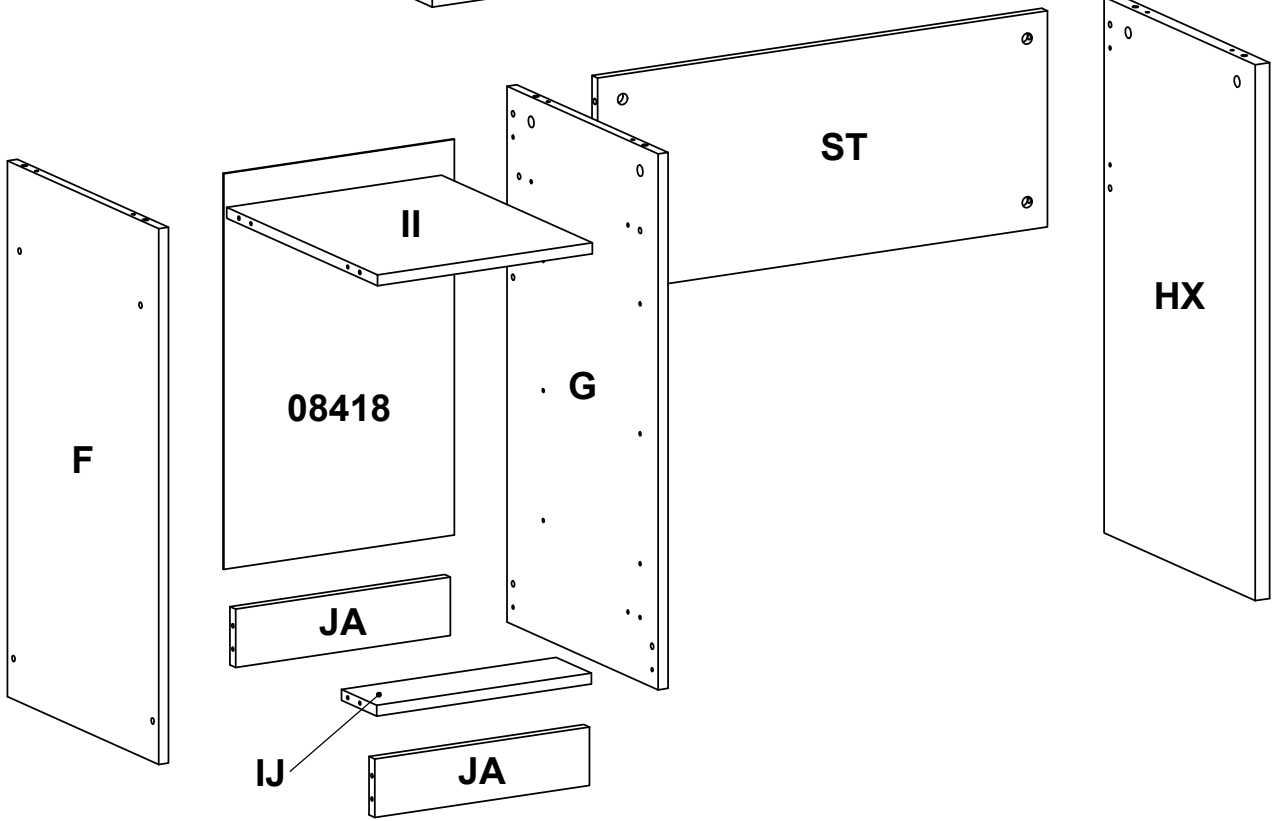
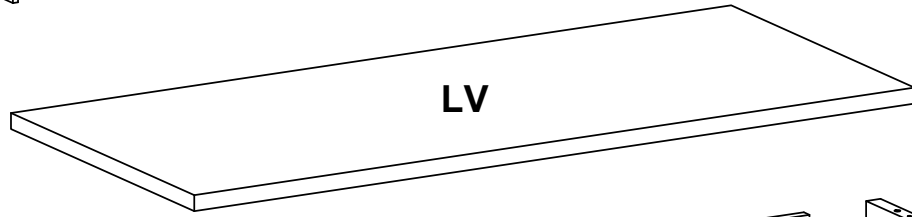
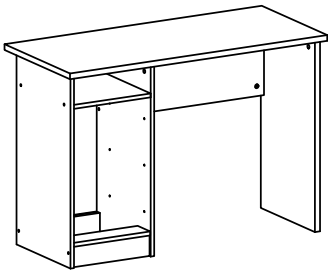


x2

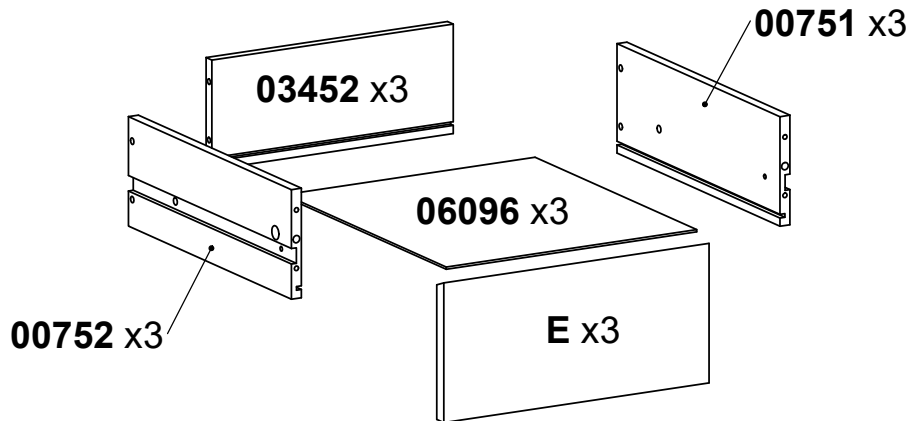


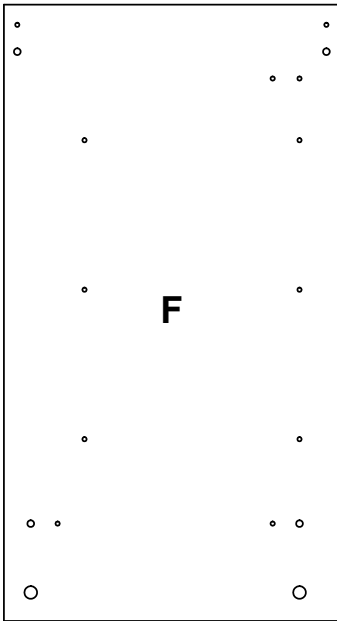


<p>0110901 x1</p> <p>Ø0.87x0.02" Ø22x0,5 mm</p>	<p>0120203 x34</p> <p>Ø0.2x1.18" Ø5x30 mm</p>	<p>0120228 x12</p> <p>Ø0.25x1.57" Ø6,3x40 mm</p>	<p>0123006 x1</p> <p>25 pcs 0.06x0.98" 1,4x25 mm</p>	<p>0125233 x12</p> <p>Ø0.14x0.59" Ø3,5x15 mm</p>
<p>0125610 x8</p> <p>Ø0.28x1.97" Ø7x50 mm</p>	<p>0126020 x12</p> <p>Ø0.23x0.35" Ø5,8x9 mm</p>	<p>0126214 x6</p> <p>M4x0.35" M4x9 mm</p>	<p>0131513 x12</p> <p>Ø0.30x1.73/1.34" Ø7,5x44/34 mm</p>	<p>0131561 x4</p> <p>Ø0.28x2.02" Ø7x51,3 mm</p>
<p>0131687 x16</p> <p>Ø0.59x0.37" Ø15x9,5 mm</p>	<p>0141404 x6</p> <p>0.67x12.20/12.20" 17x310/310 mm</p>	<p>0163001 x6</p> <p>Ø0.47x0.16" Ø12x4 mm</p>	<p>0197642 x1</p> <p>0.16x1.93x1.46" 4x49x37 mm</p>	

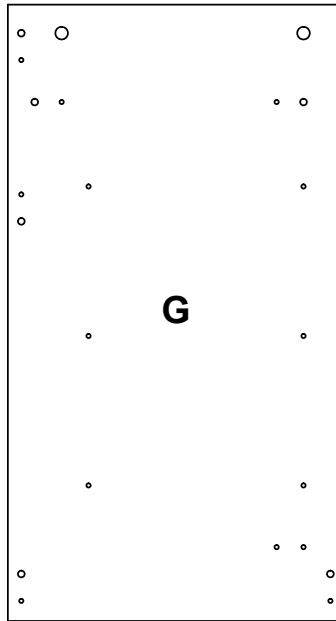


x3

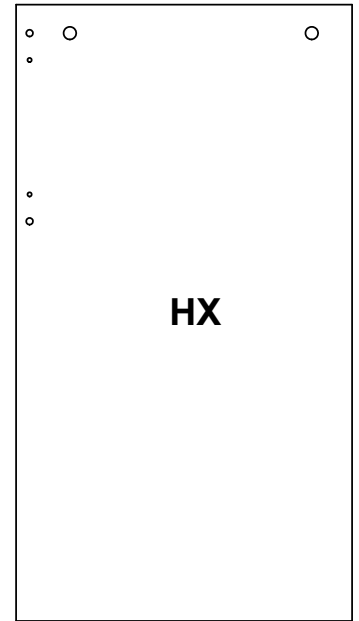




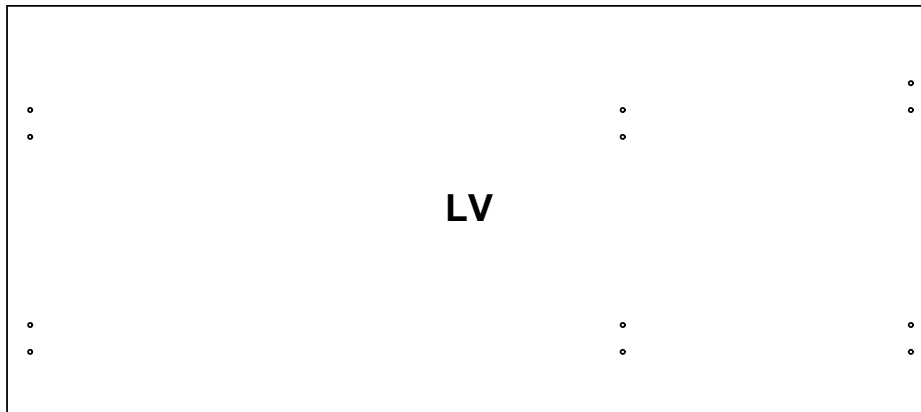
734x400x15mm



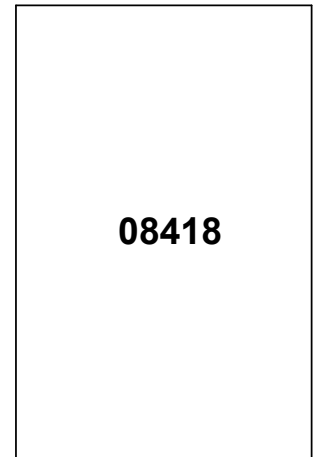
734x400x15mm



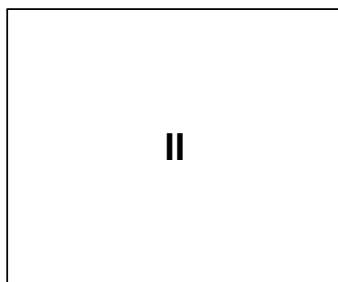
734x400x22mm



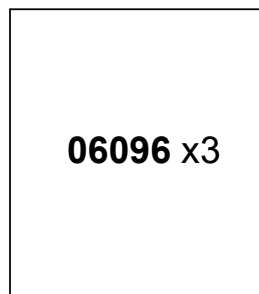
1100x485x22mm



542x352x2,5mm



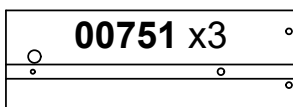
328x399x15mm



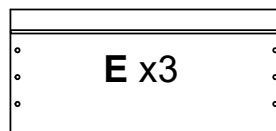
306x342x2,5mm



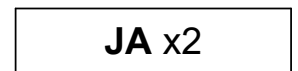
687x296x15mm



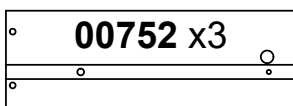
345x120x12,2mm



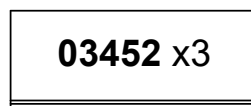
324x153x15mm



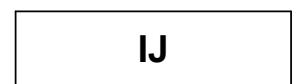
328x80x15mm




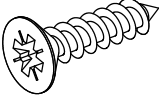
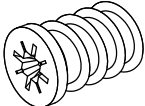
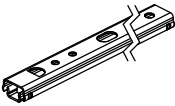
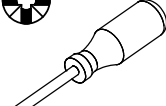
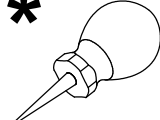
345x120x12,2mm

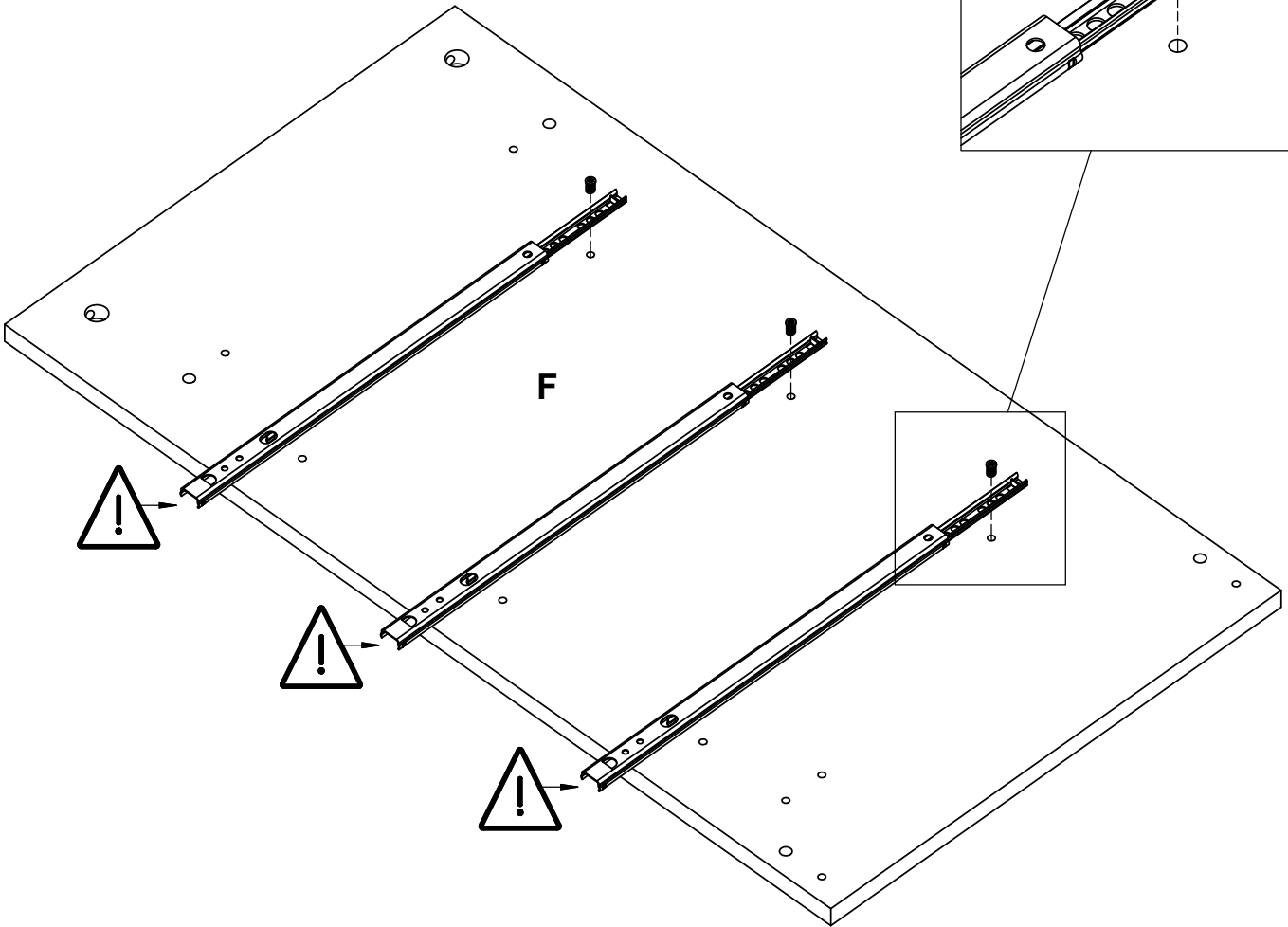
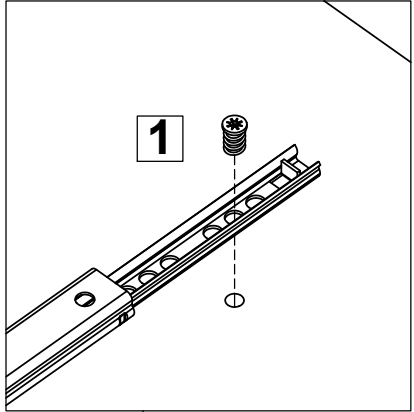
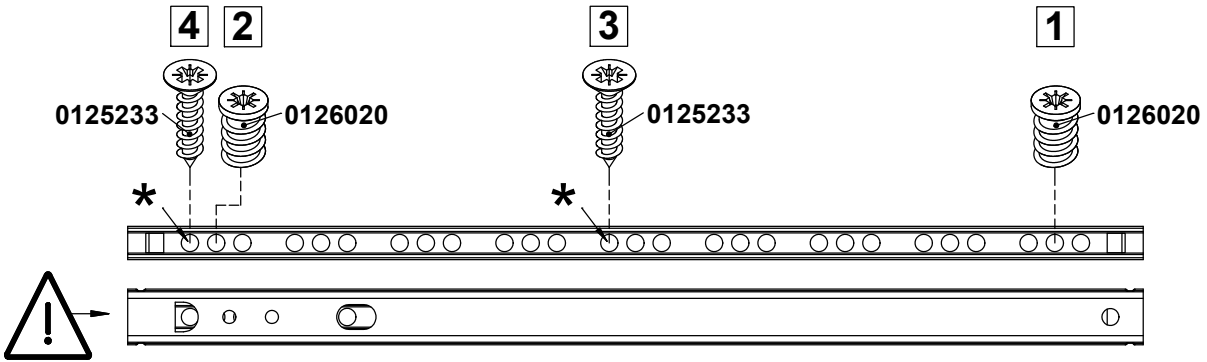


295x120x12,2mm



328x93x15mm

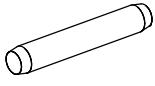
1	0125233 x6	0126020 x6	0141404 x3		*
	 Ø0.14x0.59" Ø3,5x15 mm	 Ø0.23x0.35" Ø5,8x9 mm	 0.67x12.20/12.20" 17x310/310 mm		



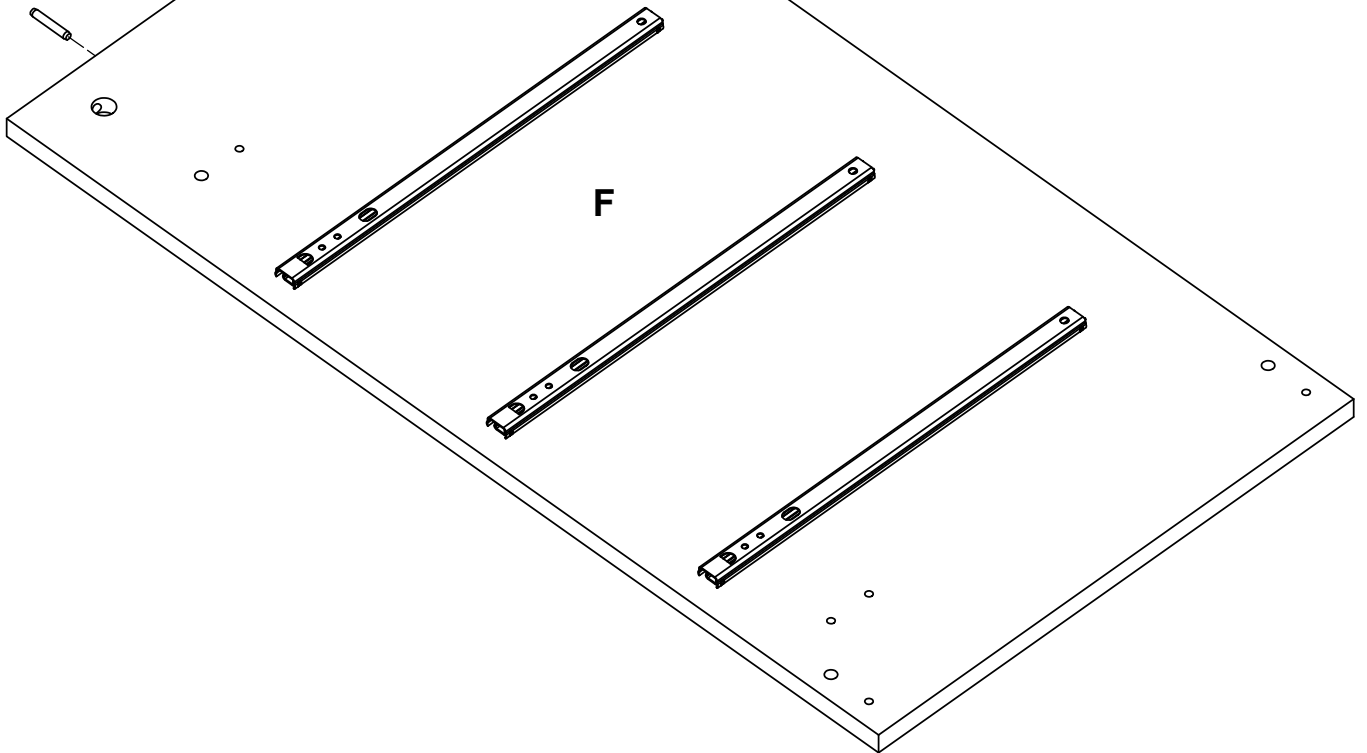
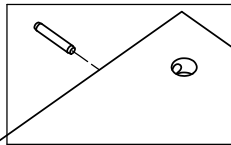
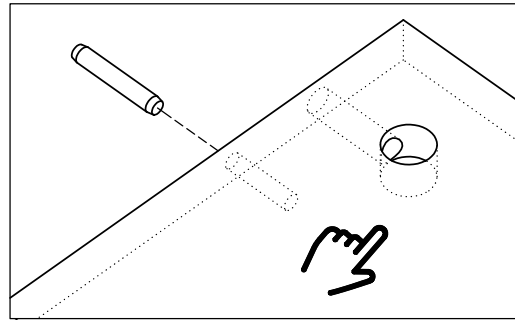
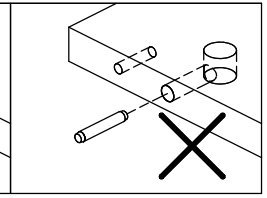
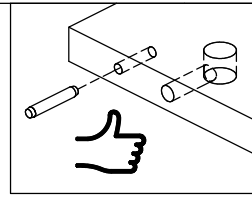
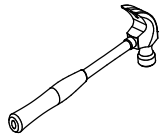
2

0120203

x2



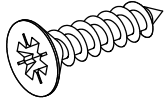
Ø0.2x1.18"
Ø5x30 mm



3

0125233

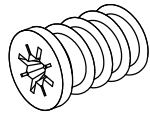
x6



Ø0.14x0.59"
Ø3,5x15 mm

0126020

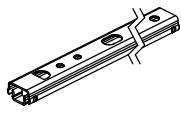
x6



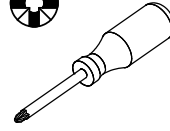
Ø0.23x0.35"
Ø5,8x9 mm

0141404

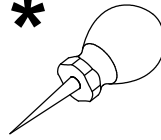
x3



0.67x12.20/12.20"
17x310/310 mm



*



1

0126020



3

0125233



*

2

0126020

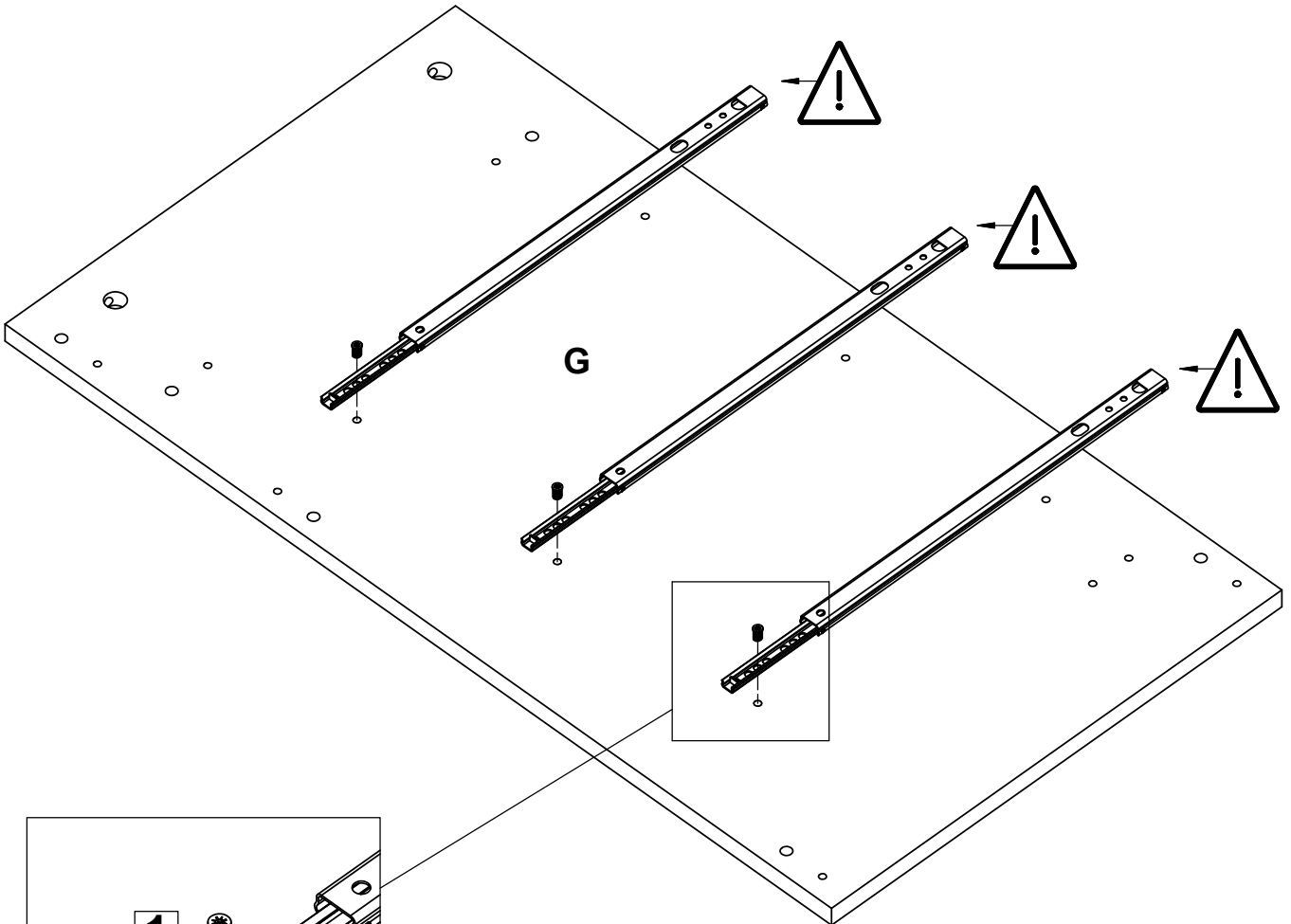
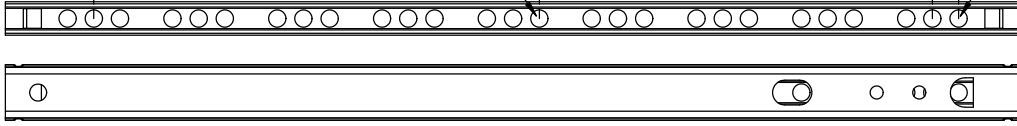


4

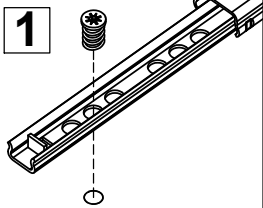


*

0125233



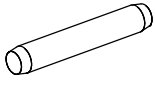
1



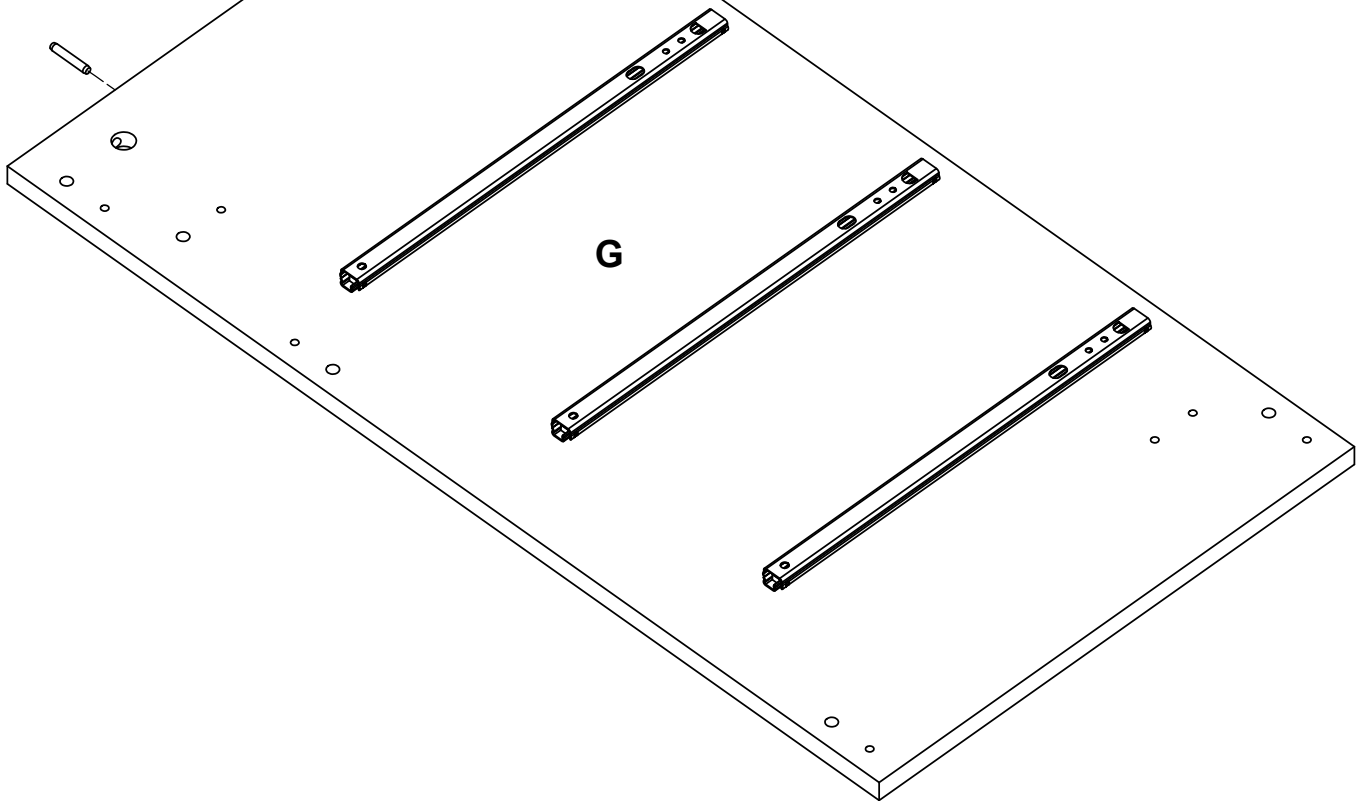
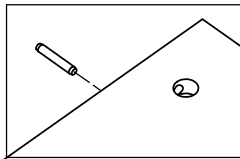
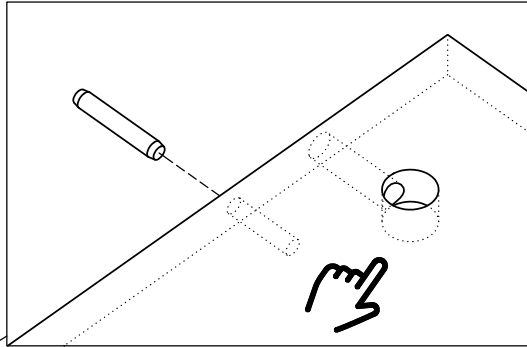
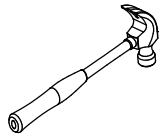
4

0120203

x2



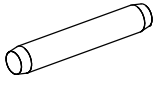
Ø0.2x1.18"
Ø5x30 mm



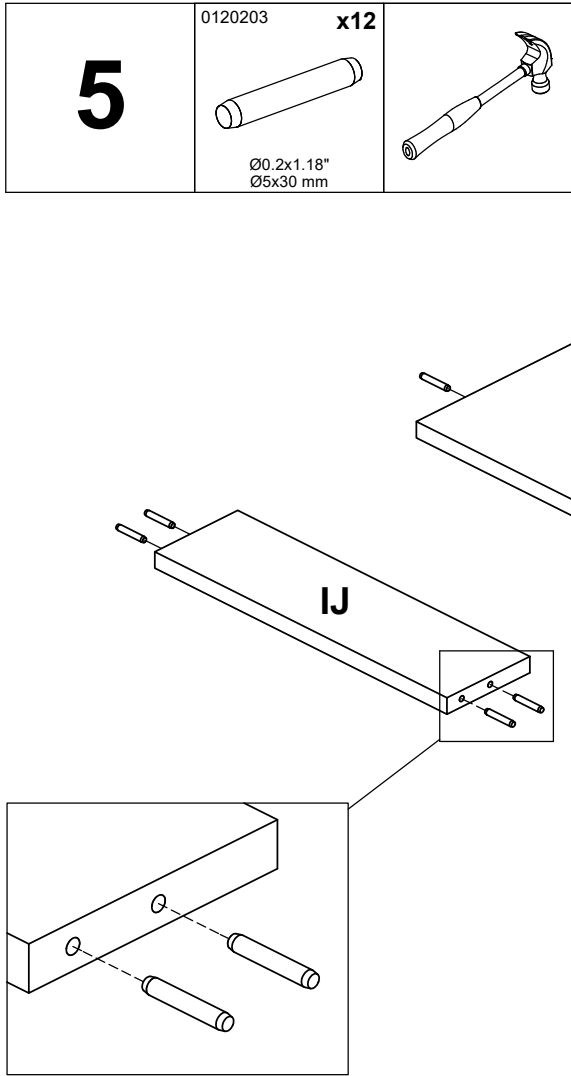
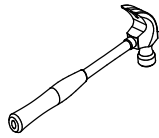
5

0120203

x12



Ø0.2x1.18"
Ø5x30 mm

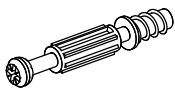


JA x2

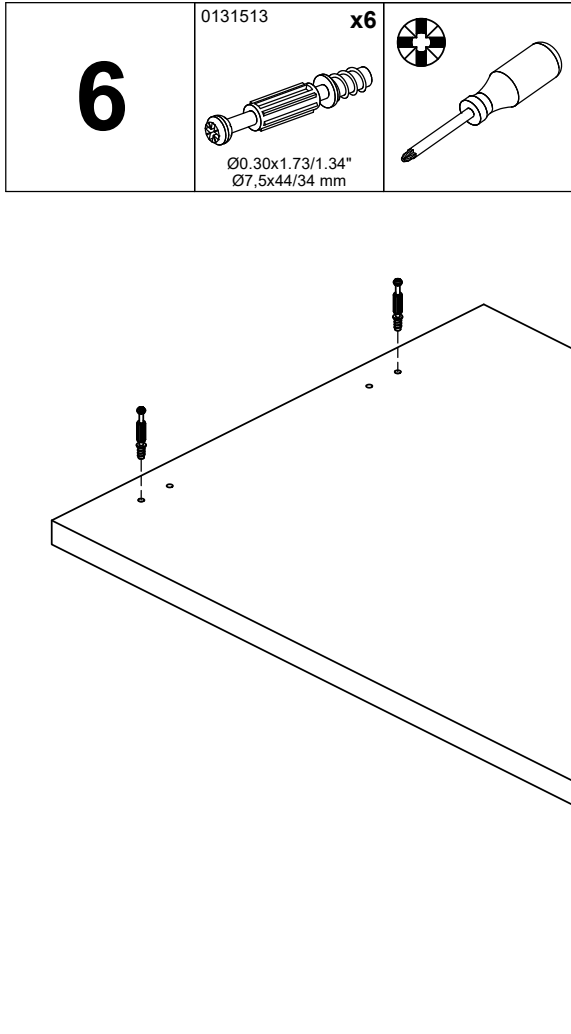
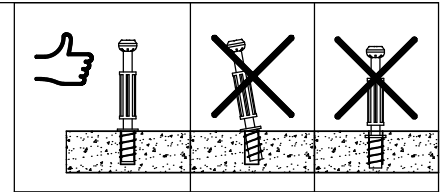
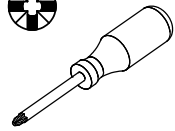
6

0131513

x6



Ø0.30x1.73/1.34"
Ø7.5x44/34 mm

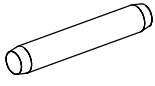


LV

7

0120203

x6



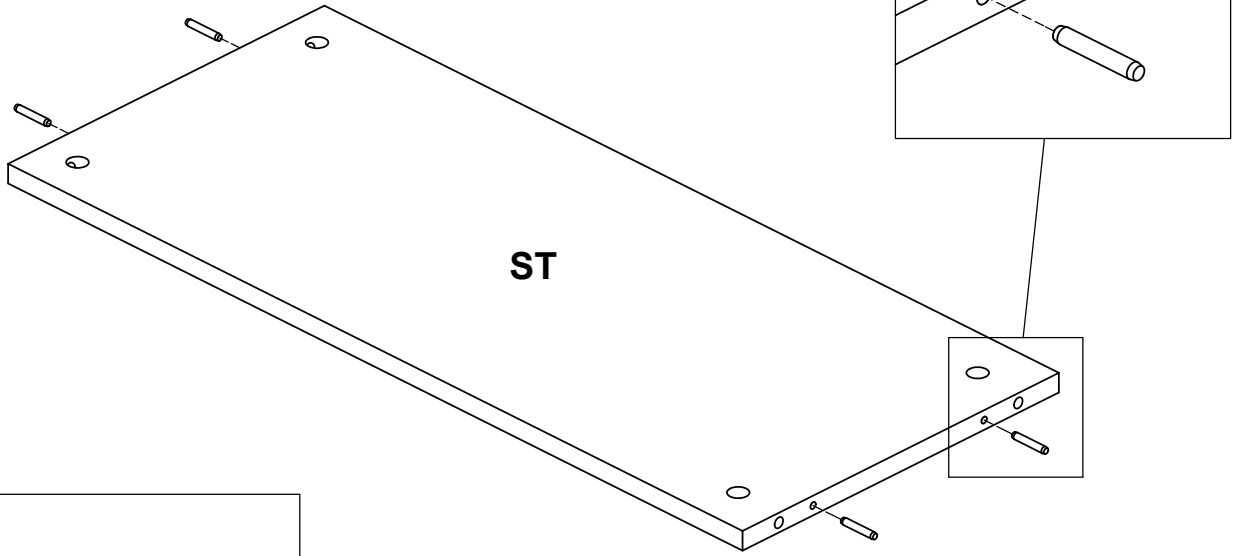
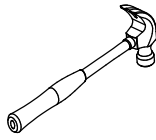
Ø0.2x1.18"
Ø5x30 mm

0163001

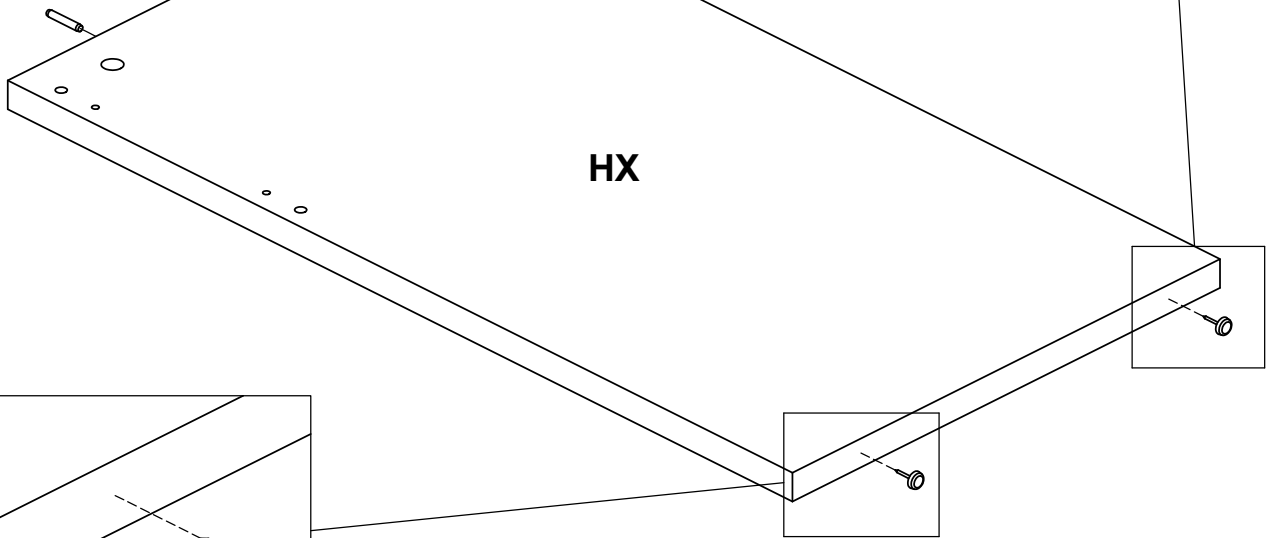
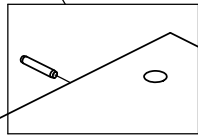
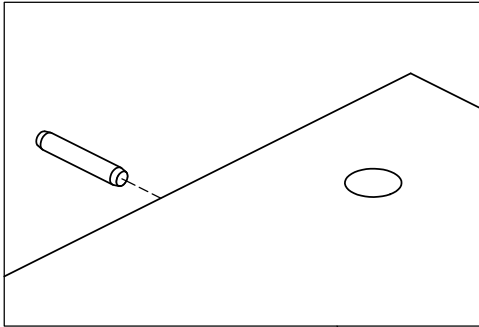
x2



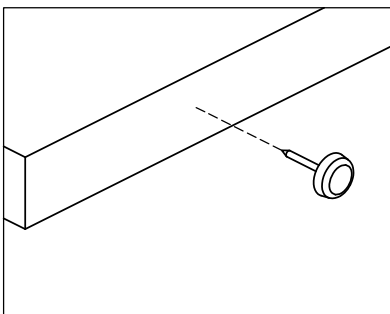
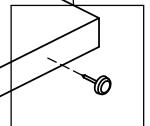
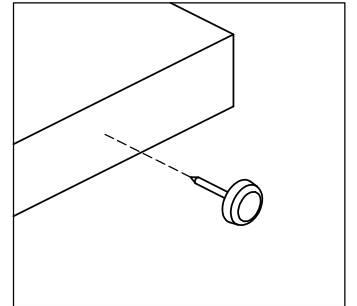
Ø0.47x0.16"
Ø12x4 mm



ST



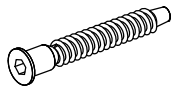
HX



8

0125610

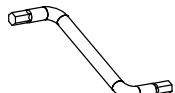
x8



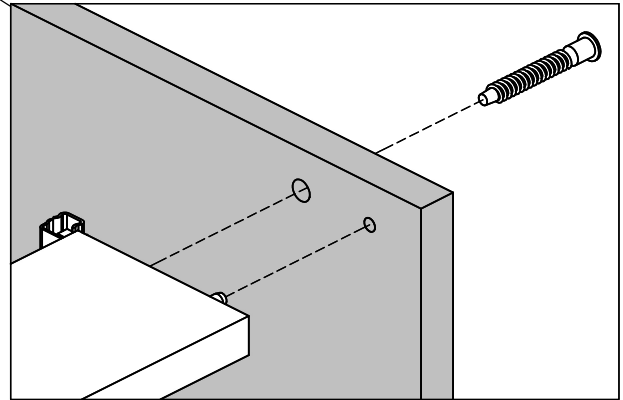
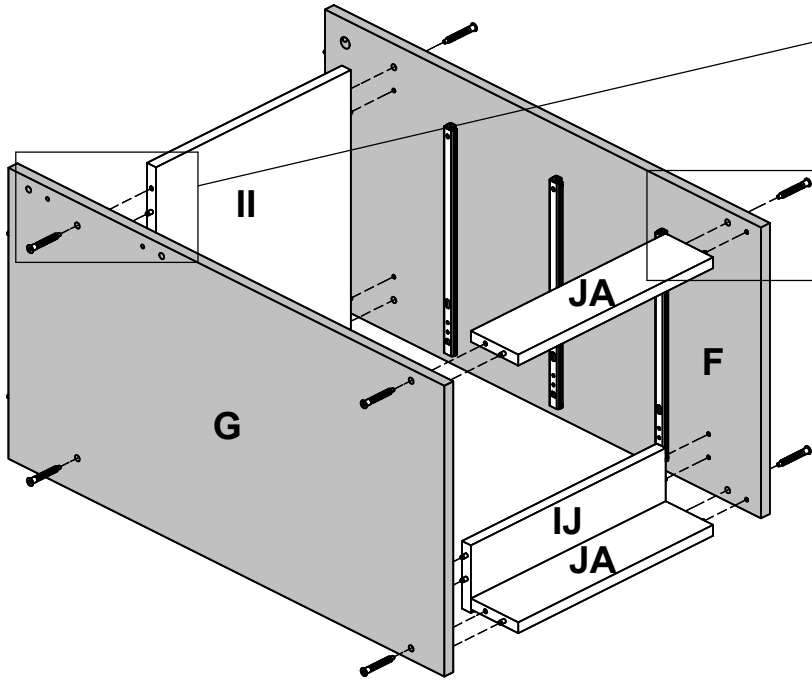
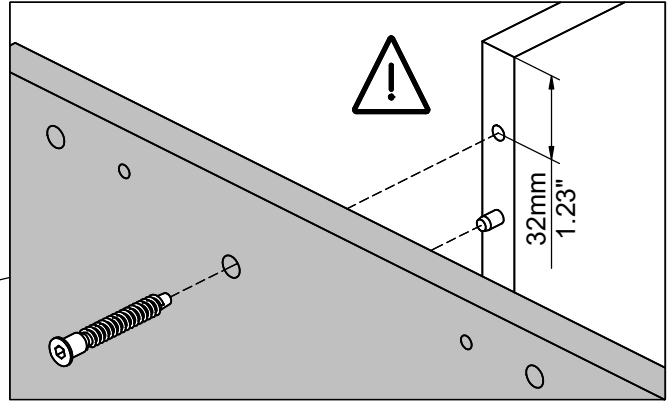
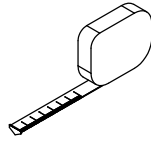
Ø0.28x1.97"
Ø7x50 mm

0197642

x1



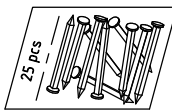
0.16x1.93x1.46"
4x49x37 mm



9

0123006

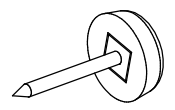
x1



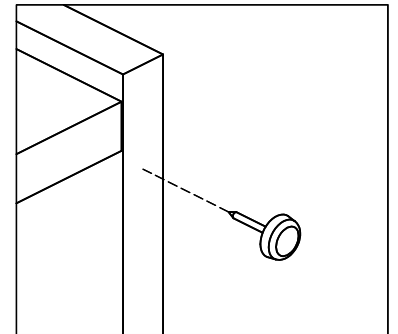
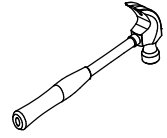
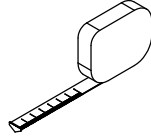
0.06x0.98"
1,4x25 mm

0163001

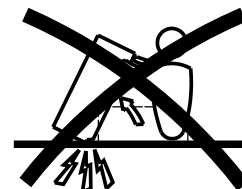
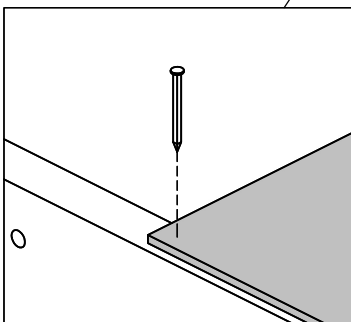
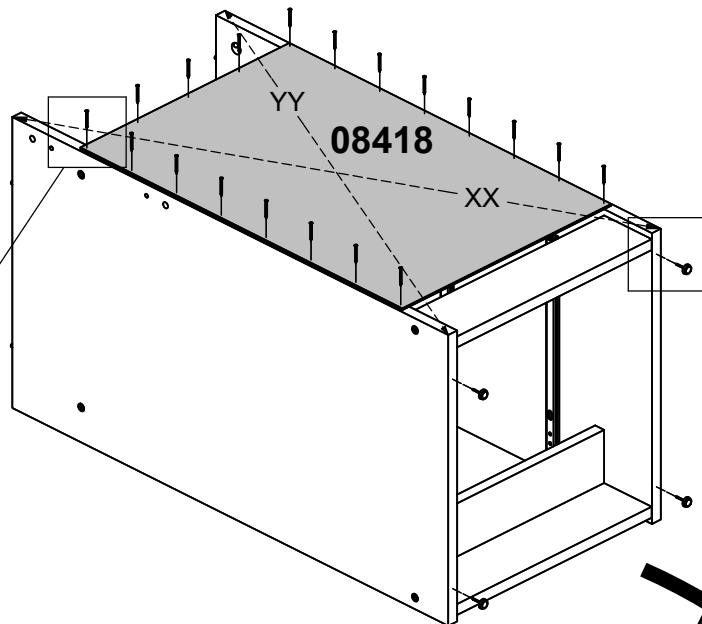
x4

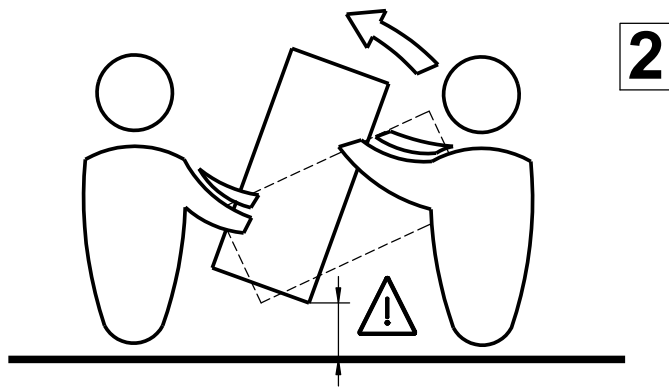
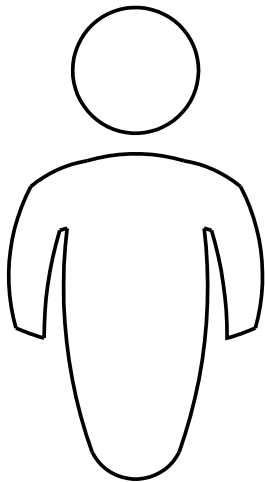
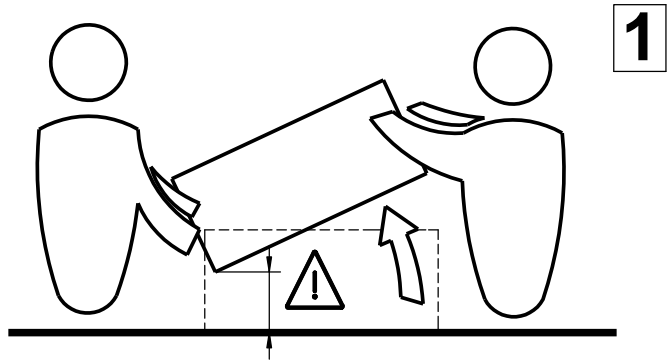
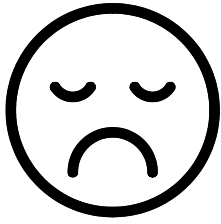


Ø0.47x0.16"
Ø12x4 mm

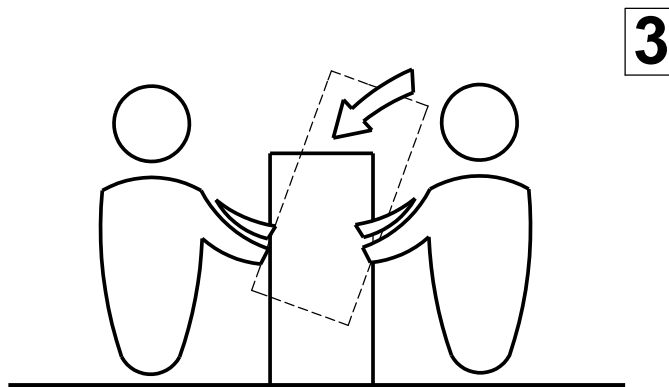


XX = YY

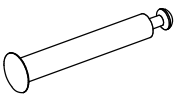


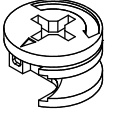


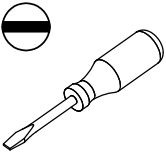
x2

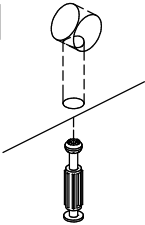


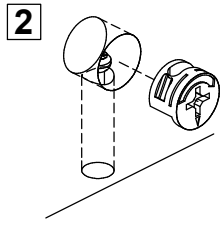
10

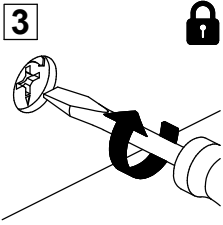
0131561 **x4**  Ø0.28x2.02"
Ø7x51,3 mm

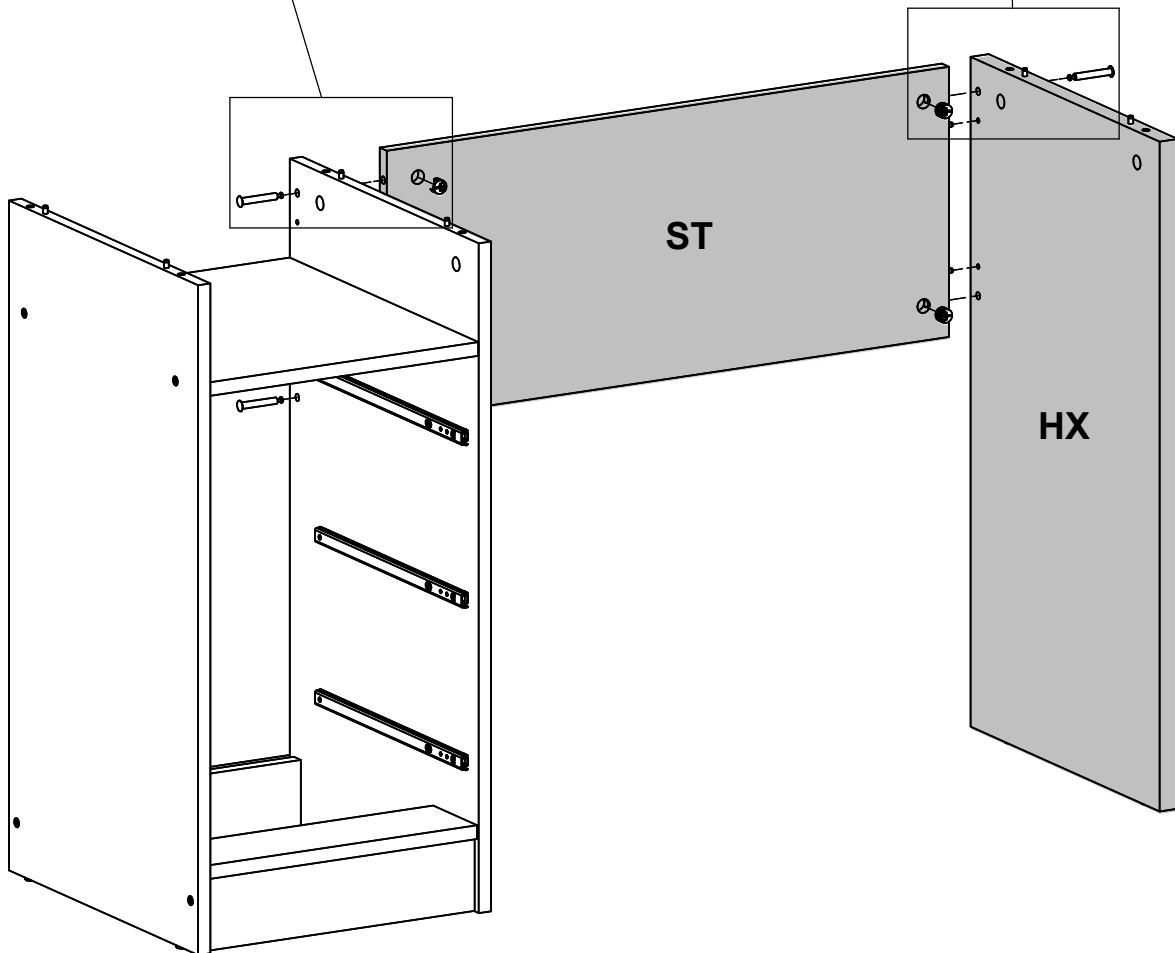
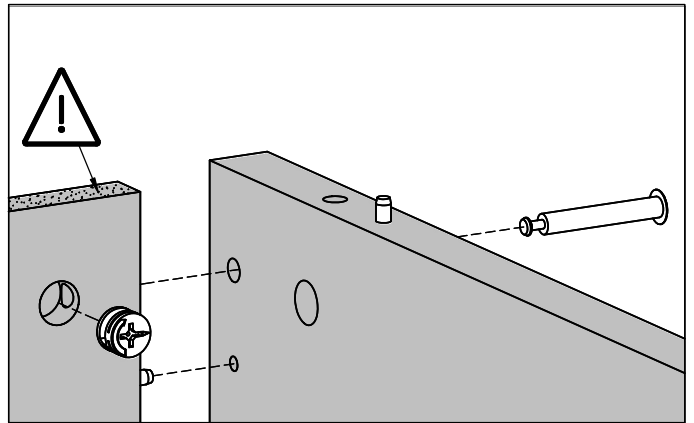
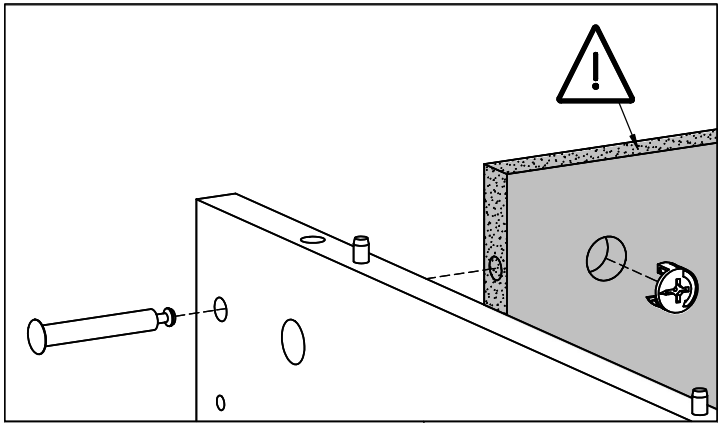
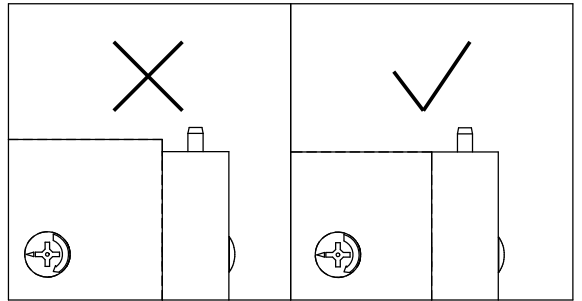
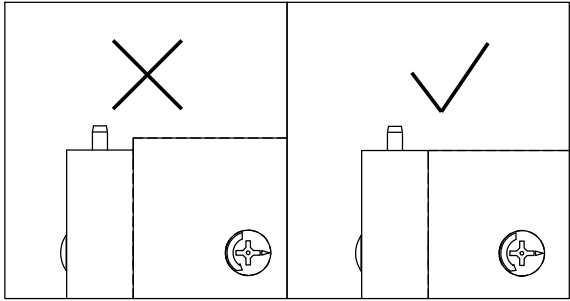
0131687 **x4**  Ø0.59x0.37"
Ø15x9,5 mm



1 

2 

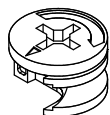
3 



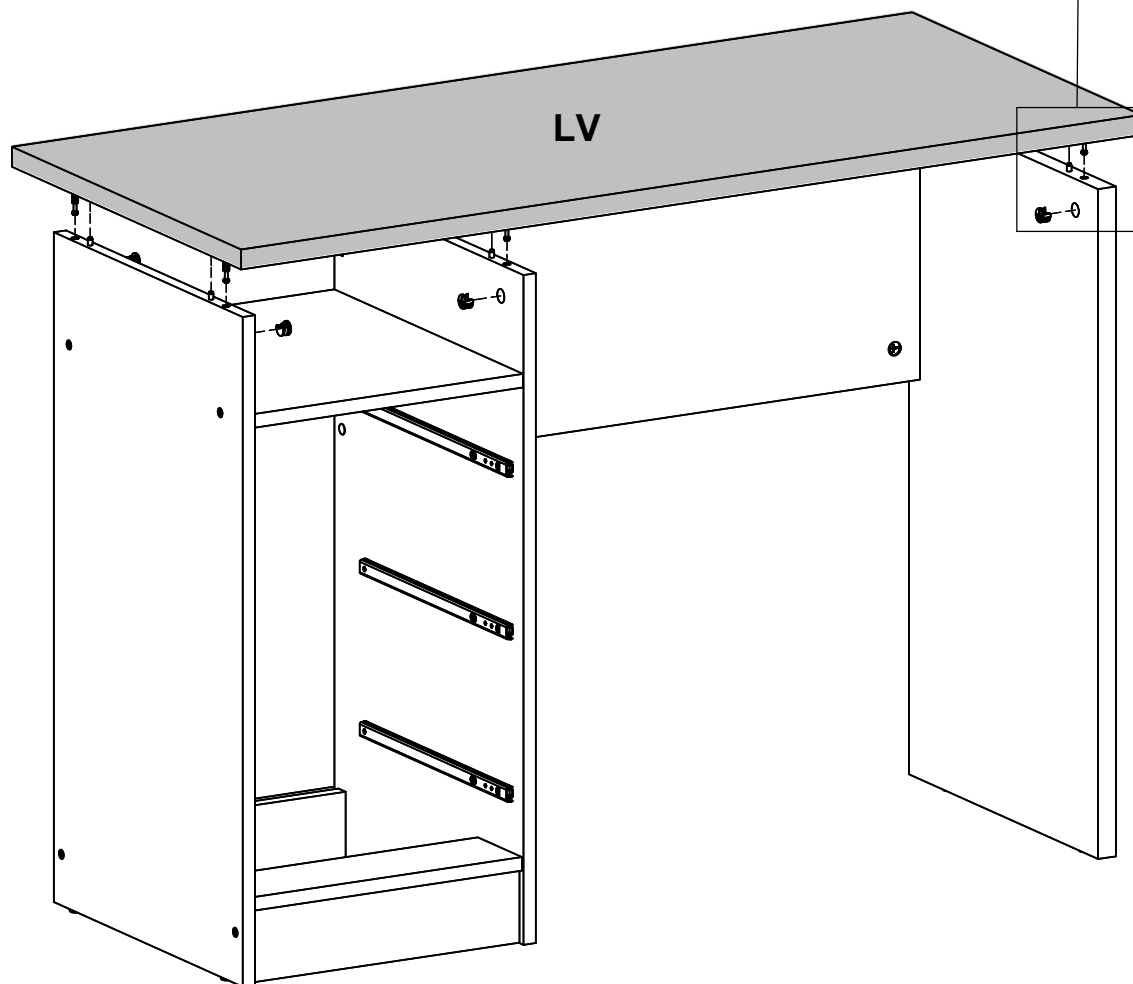
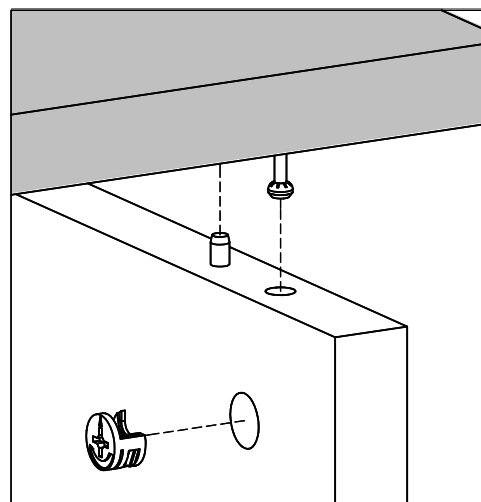
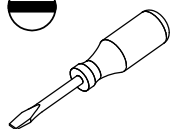
11

0131687

x6



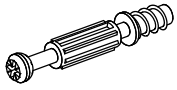
Ø0.59x0.37"
Ø15x9,5 mm



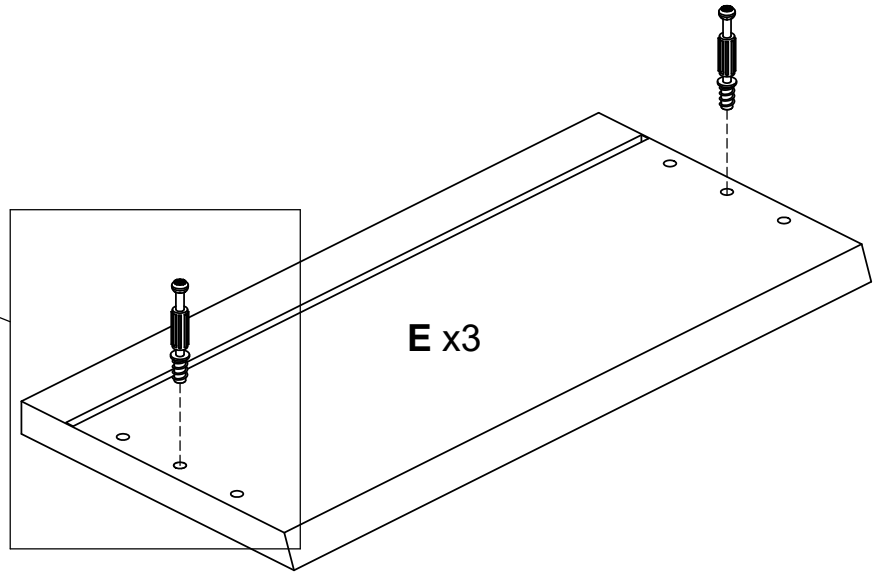
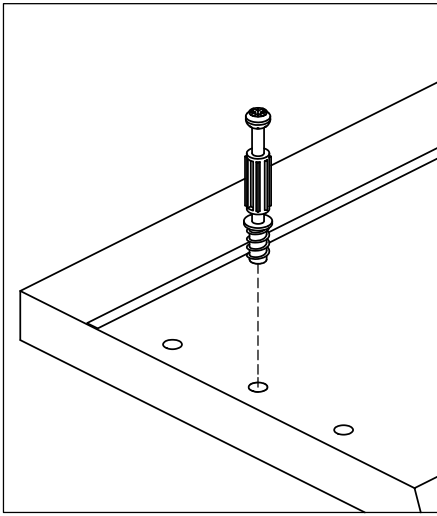
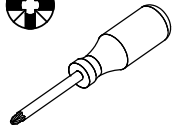
12

0131513

x6



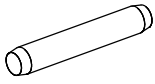
Ø0.30x1.73/1.34"
Ø7,5x44/34 mm



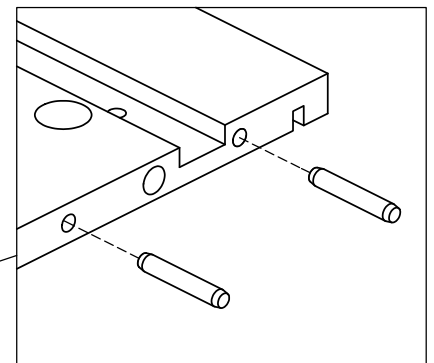
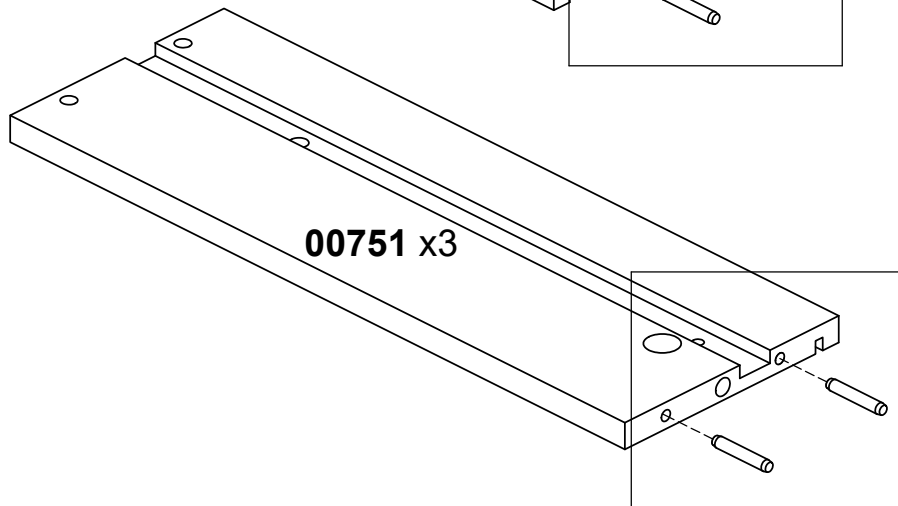
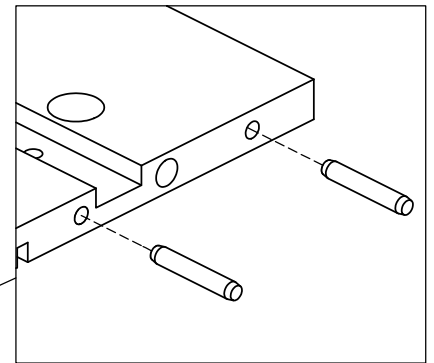
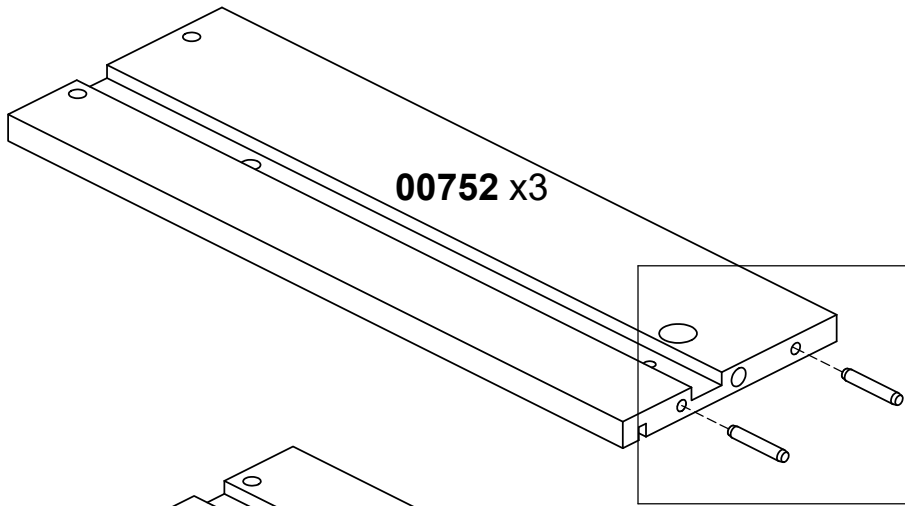
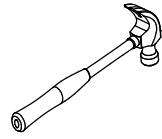
13

0120203

x12



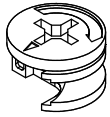
Ø0.2x1.18"
Ø5x30 mm



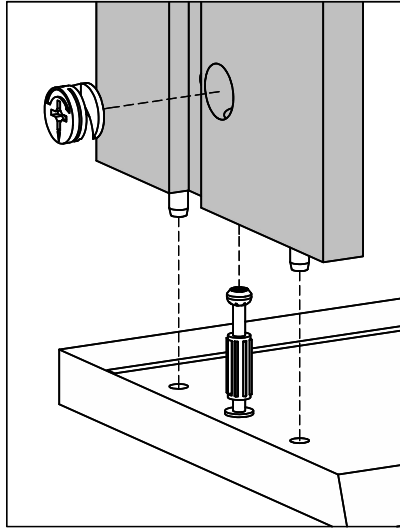
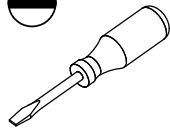
14

0131687

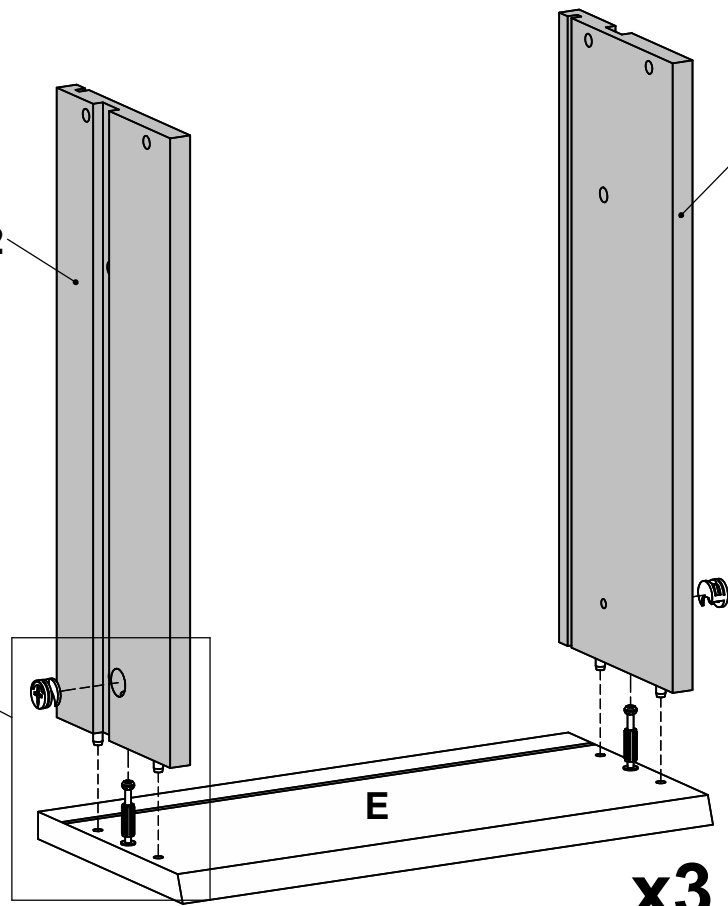
x6



Ø0.59x0.37"
Ø15x9,5 mm



00752

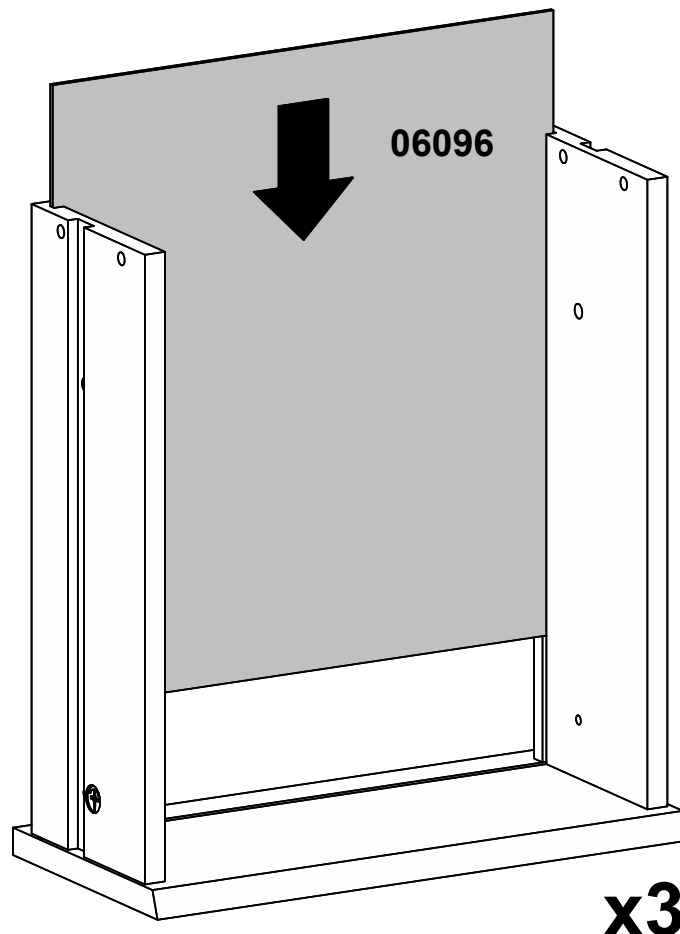


00751

E

x3

15



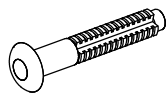
06096

x3

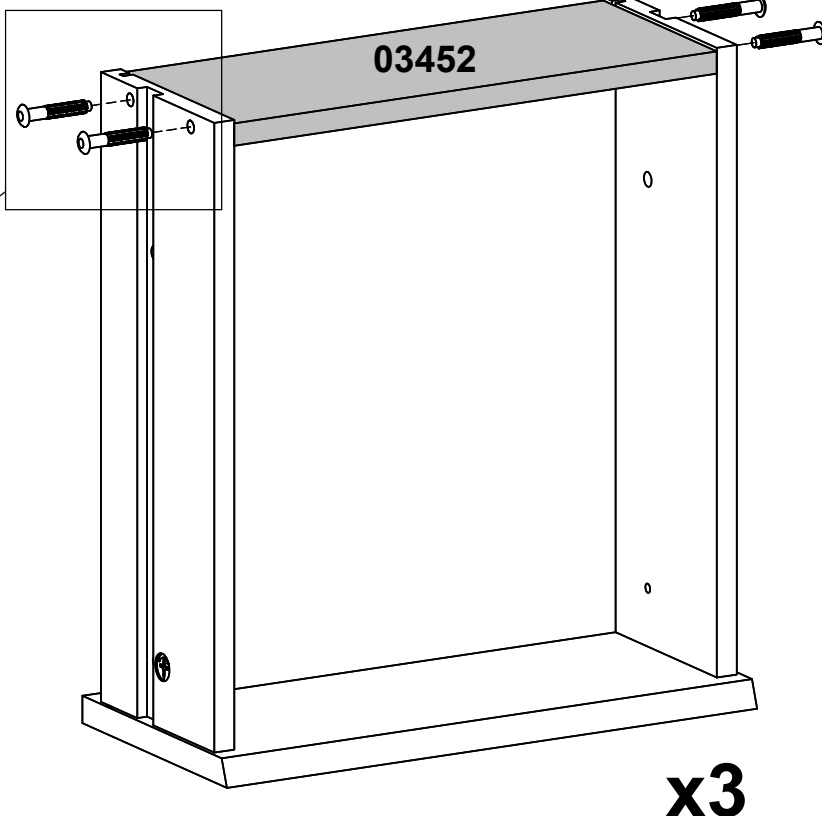
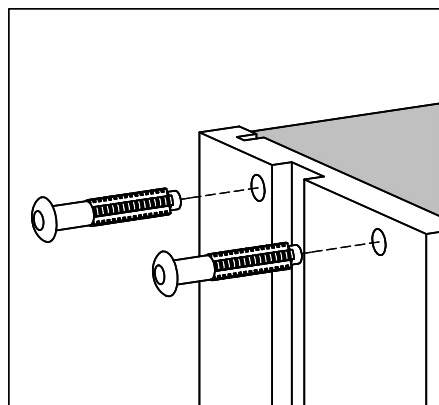
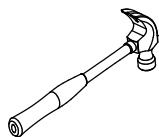
16

0120228

x12



Ø0.25x1.57"
Ø6,3x40 mm



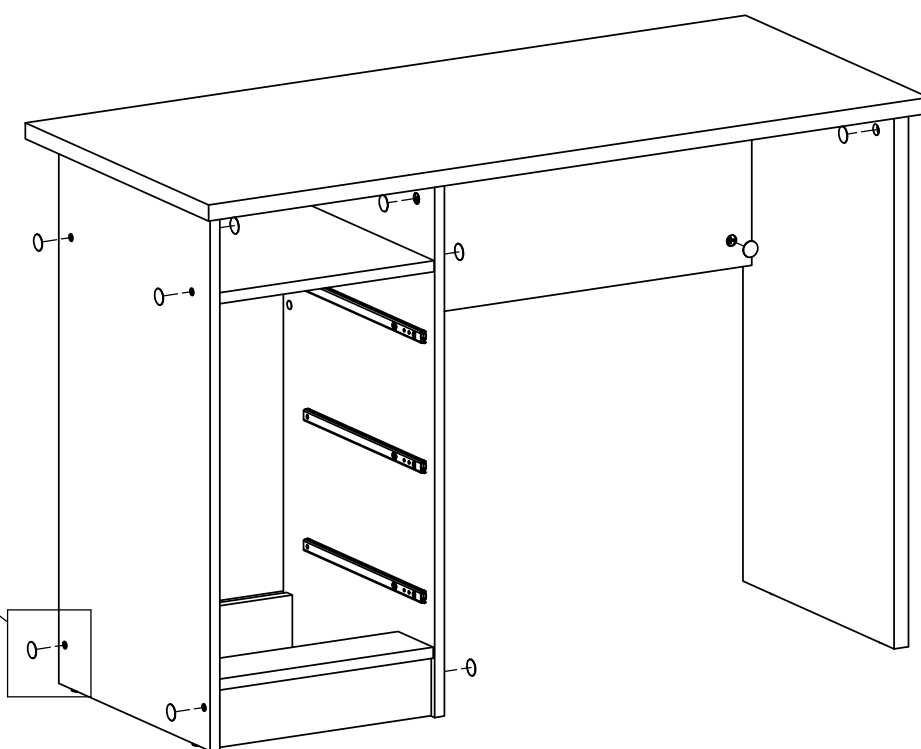
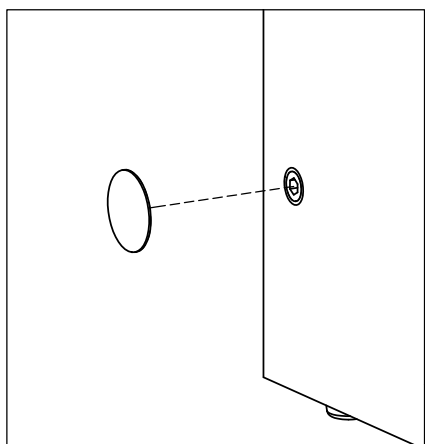
17

0110901

x19



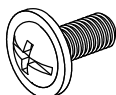
Ø0.87x0.02"
Ø22x0,5 mm



18

0126214

x6



M4x0.35"
M4x9 mm

