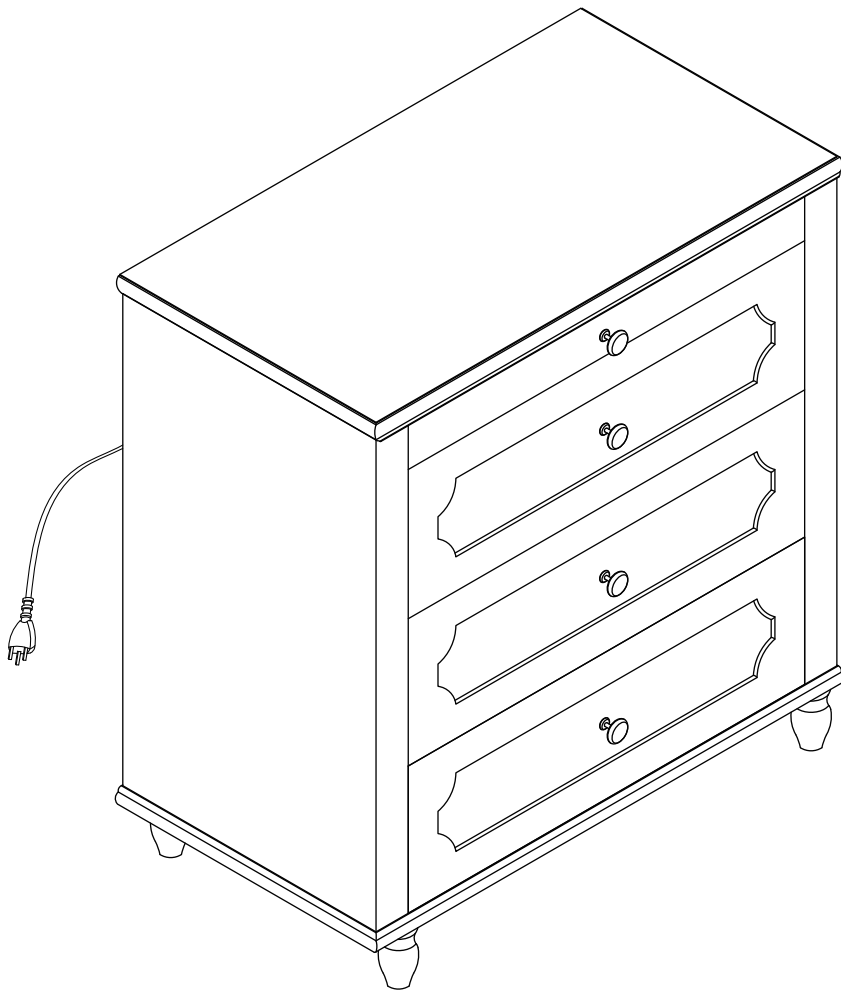
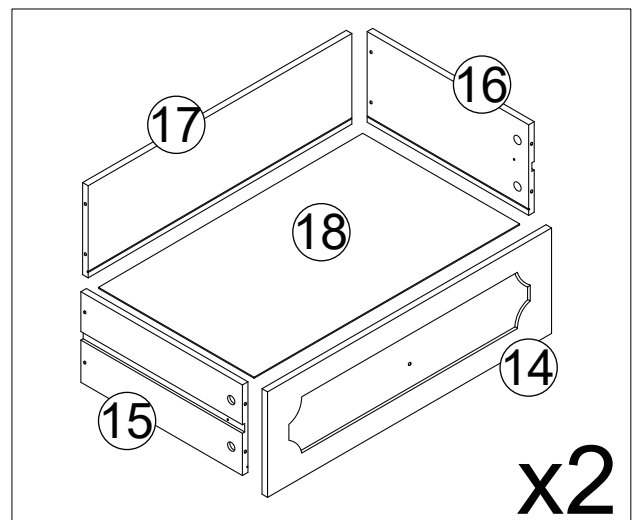
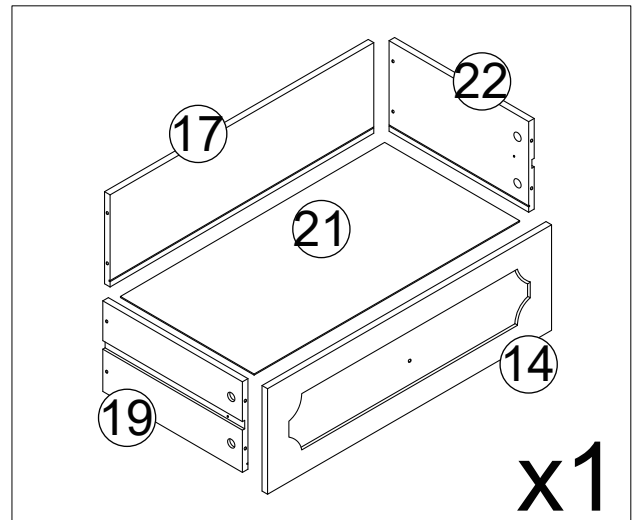
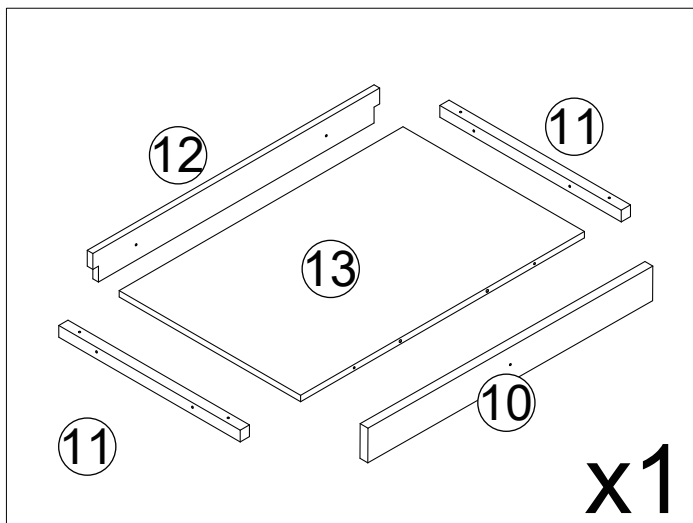
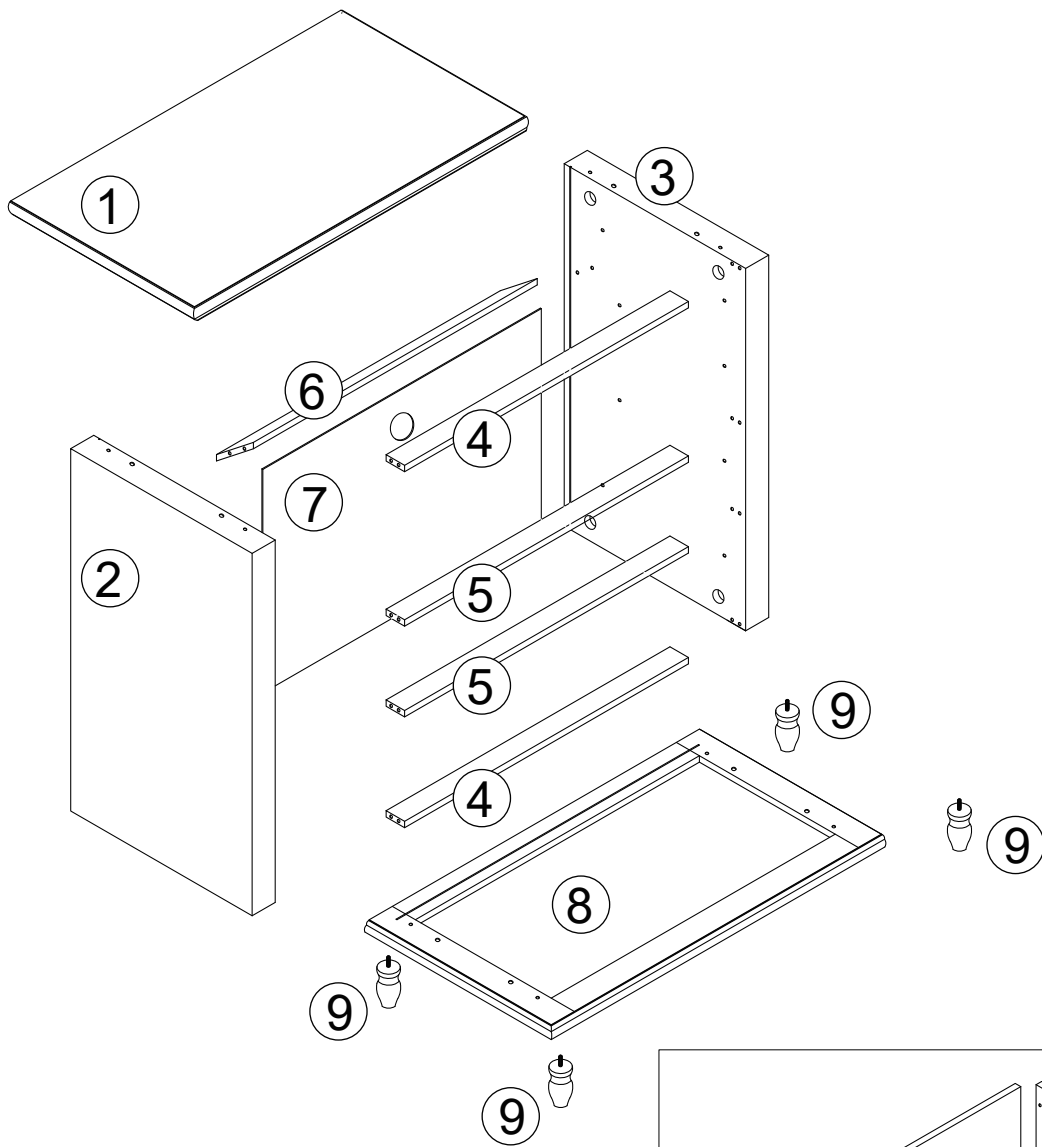
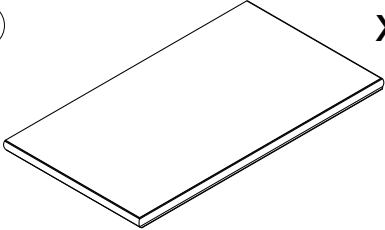
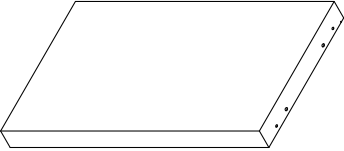
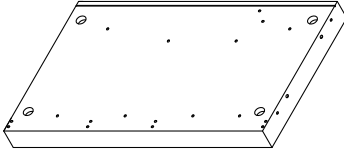
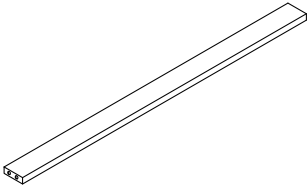
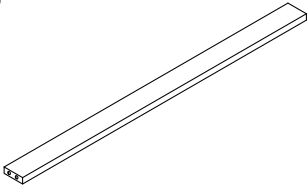
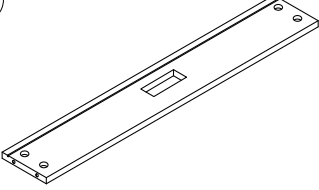
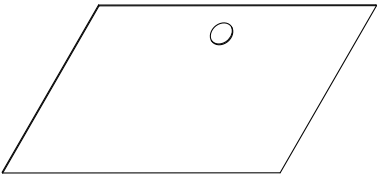
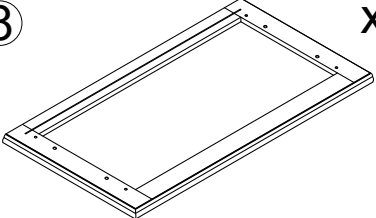

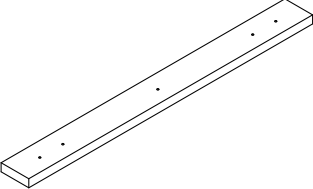
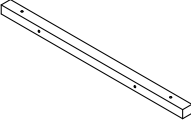
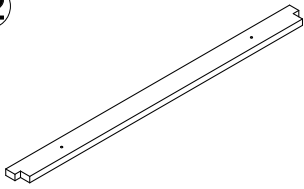
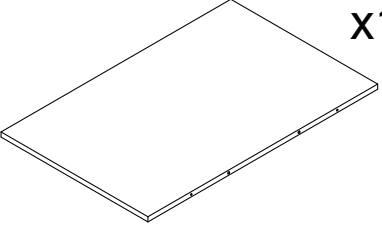
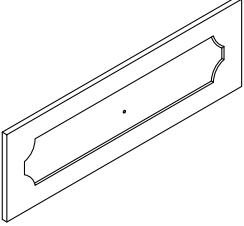
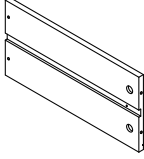
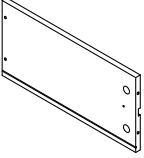
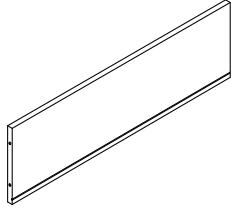
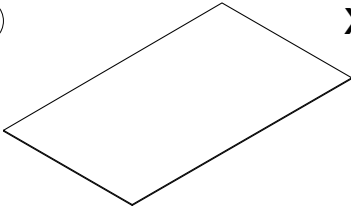
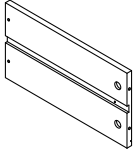
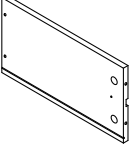
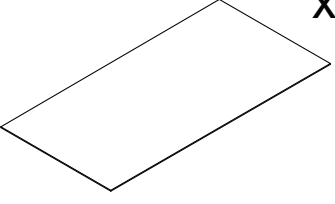


# ASSEMBLY INSTRUCTION




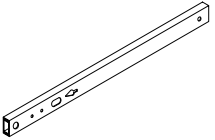

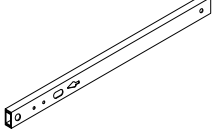
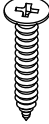
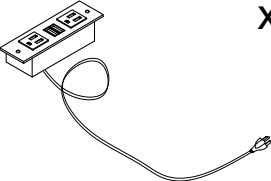



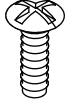
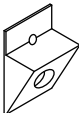

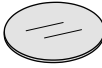
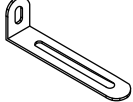

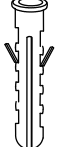





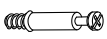

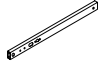
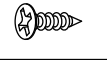
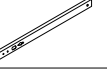
# PARTS

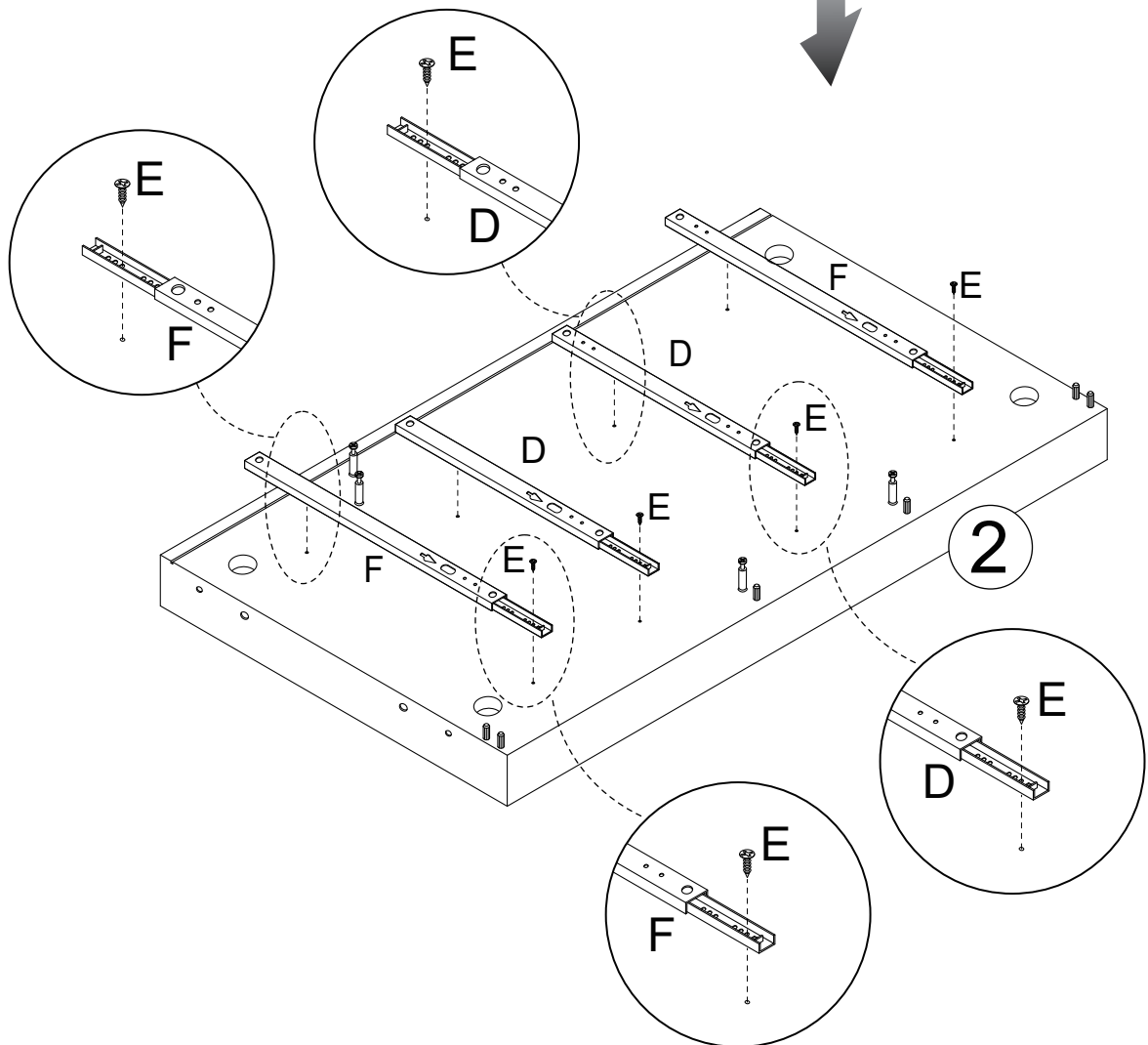
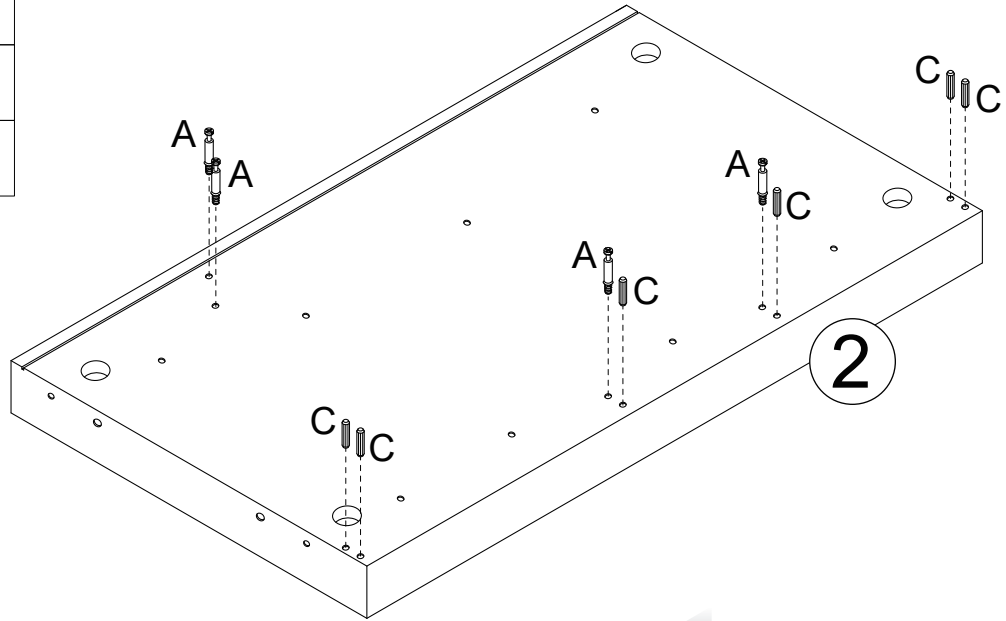
|   |   |   |
|---|---|---|
| <b>①</b><br><br>x1   | <b>②</b><br><br>x1   | <b>③</b><br><br>x1   |
| <b>④</b><br><br>x2   | <b>⑤</b><br><br>x2   | <b>⑥</b><br><br>x1   |
| <b>⑦</b><br><br>x1   | <b>⑧</b><br><br>x1   | <b>⑨</b><br><br>x4   |
| <b>⑩</b><br><br>x1  | <b>⑪</b><br><br>x2  | <b>⑫</b><br><br>x1  |
| <b>⑬</b><br><br>x1 | <b>⑭</b><br><br>x3 | <b>⑮</b><br><br>x2 |
| <b>⑯</b><br><br>x2 | <b>⑰</b><br><br>x3 | <b>⑱</b><br><br>x2 |
| <b>⑲</b><br><br>x1 | <b>⑳</b><br><br>x1 | <b>㉑</b><br><br>x1 |

# HARDWARE

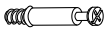

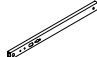


|  |  |  |   |
|--|--|--|---|
| <p>(A)  x32<br/>+2(spare)</p>           | <p>(B)  x32<br/>+2(spare)</p> | <p>(C)  x22<br/>M6*30<br/>+2(spare)</p> | <p>(D)  x4</p>           |
| <p>(E)  x18<br/>M3*12<br/>+1(spare)</p> | <p>(F)  x4</p>                | <p>(G)  x4<br/>M4*20</p>                | <p>(H)  x1</p>           |
| <p>(I)  x4</p>                          | <p>(J)  x4<br/>M4*16</p>      | <p>(K)  x12<br/>M4*30<br/>+1(spare)</p> | <p>(L)  x6<br/>M4*10</p> |
| <p>(M)  x4</p>                          | <p>(N)  x4<br/>M3*16</p>      | <p>(O)  x4<br/>M2.5</p>                 | <p>(P)  x1</p>           |
| <p>(Q)  x1<br/>M4*12</p>              | <p>(R)  x1</p>              | <p>(S)  x1<br/>M3.5*40</p>            |   |

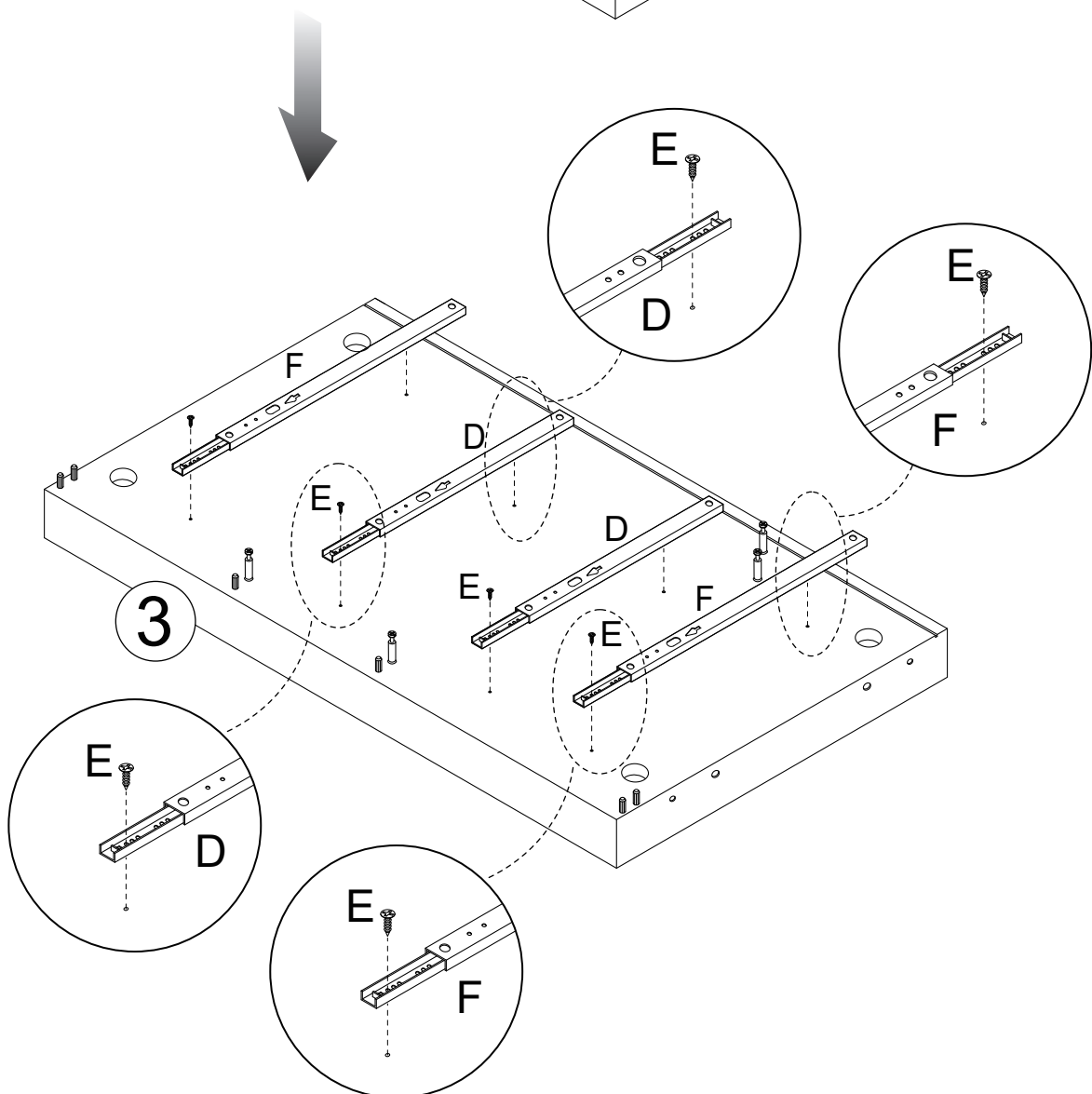
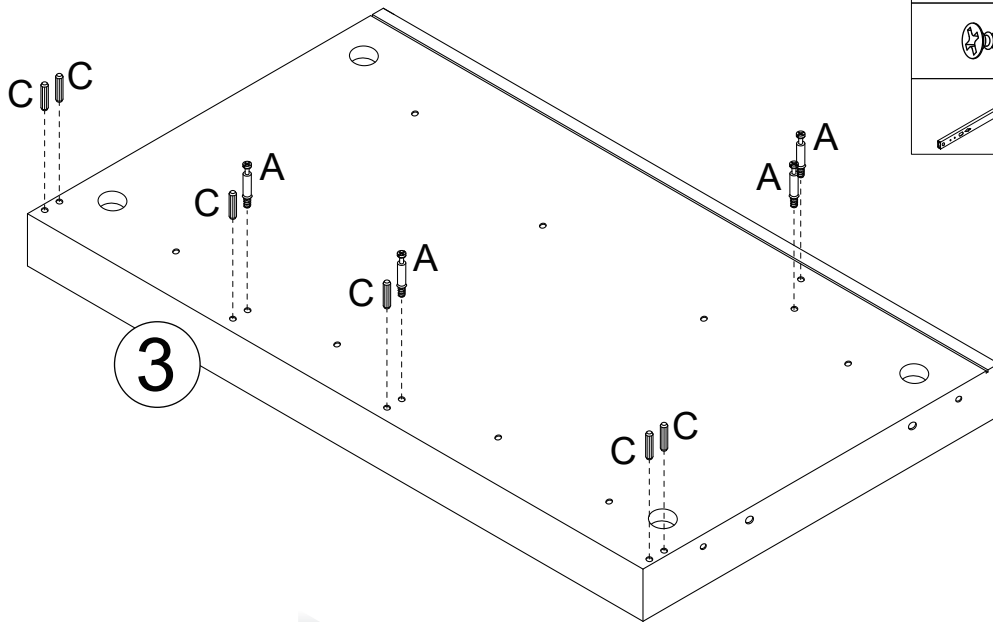
# STEP 1

|   |        |
|---|--------|
|  | (A) x4 |
|  | (C) x6 |
|  | (D) x2 |
|  | (E) x8 |
|  | (F) x2 |

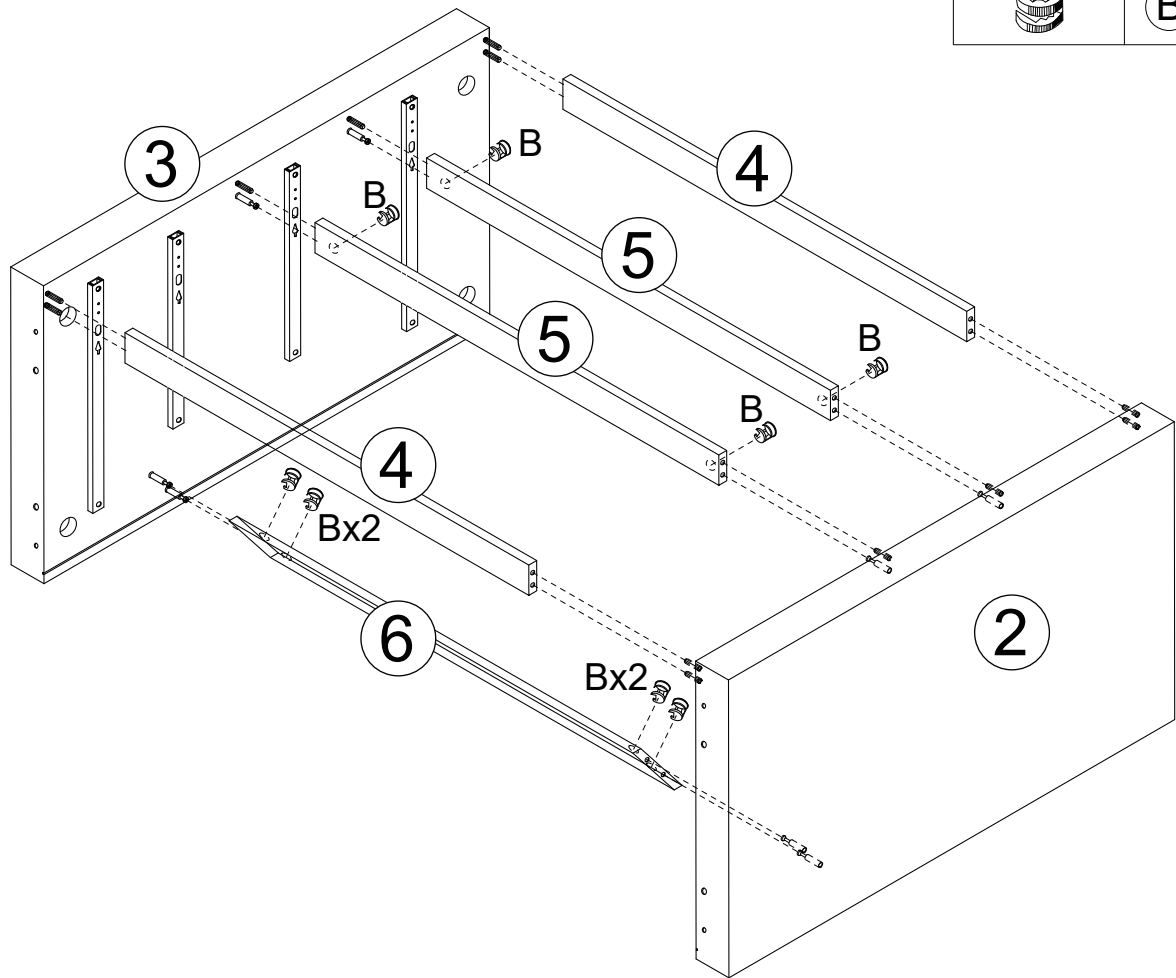
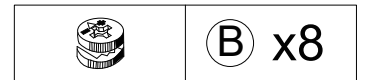


# STEP 2

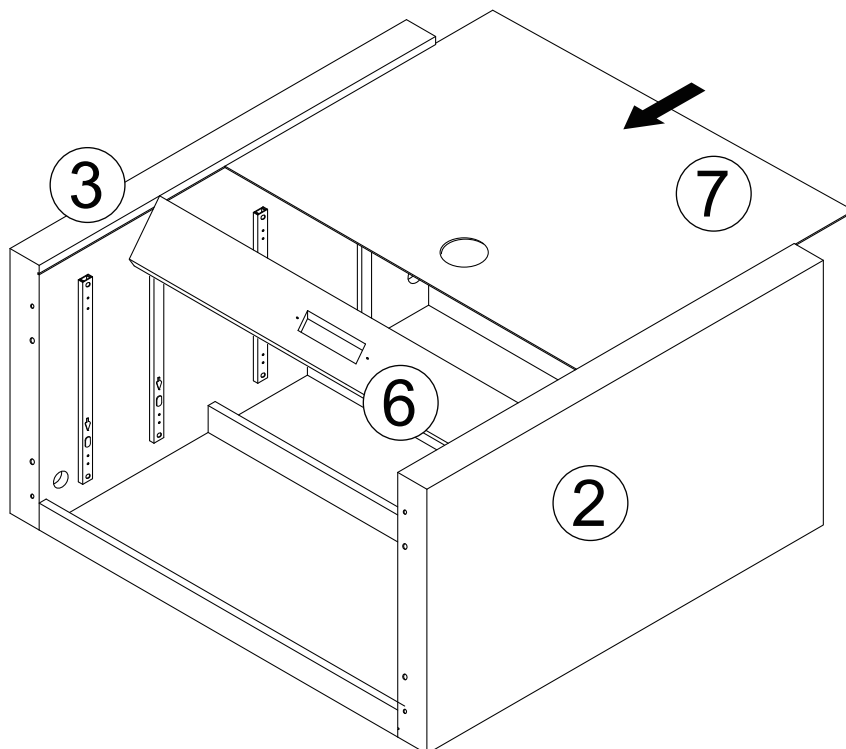
|   |        |
|---|--------|
|   | (A) x4 |
|  | (C) x6 |
|  | (D) x2 |
|  | (E) x8 |
|  | (F) x2 |



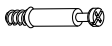

### STEP 3

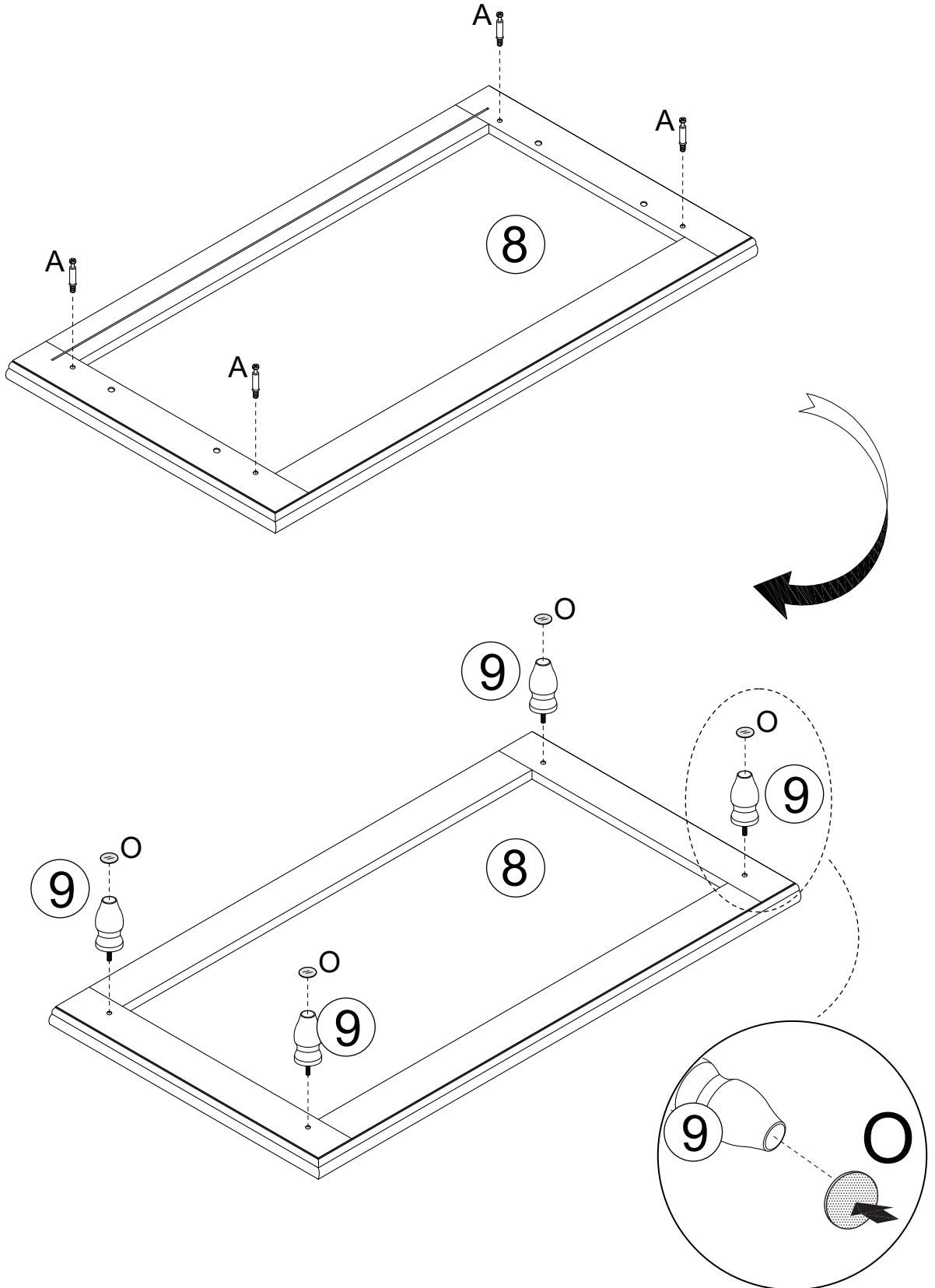


### STEP 4





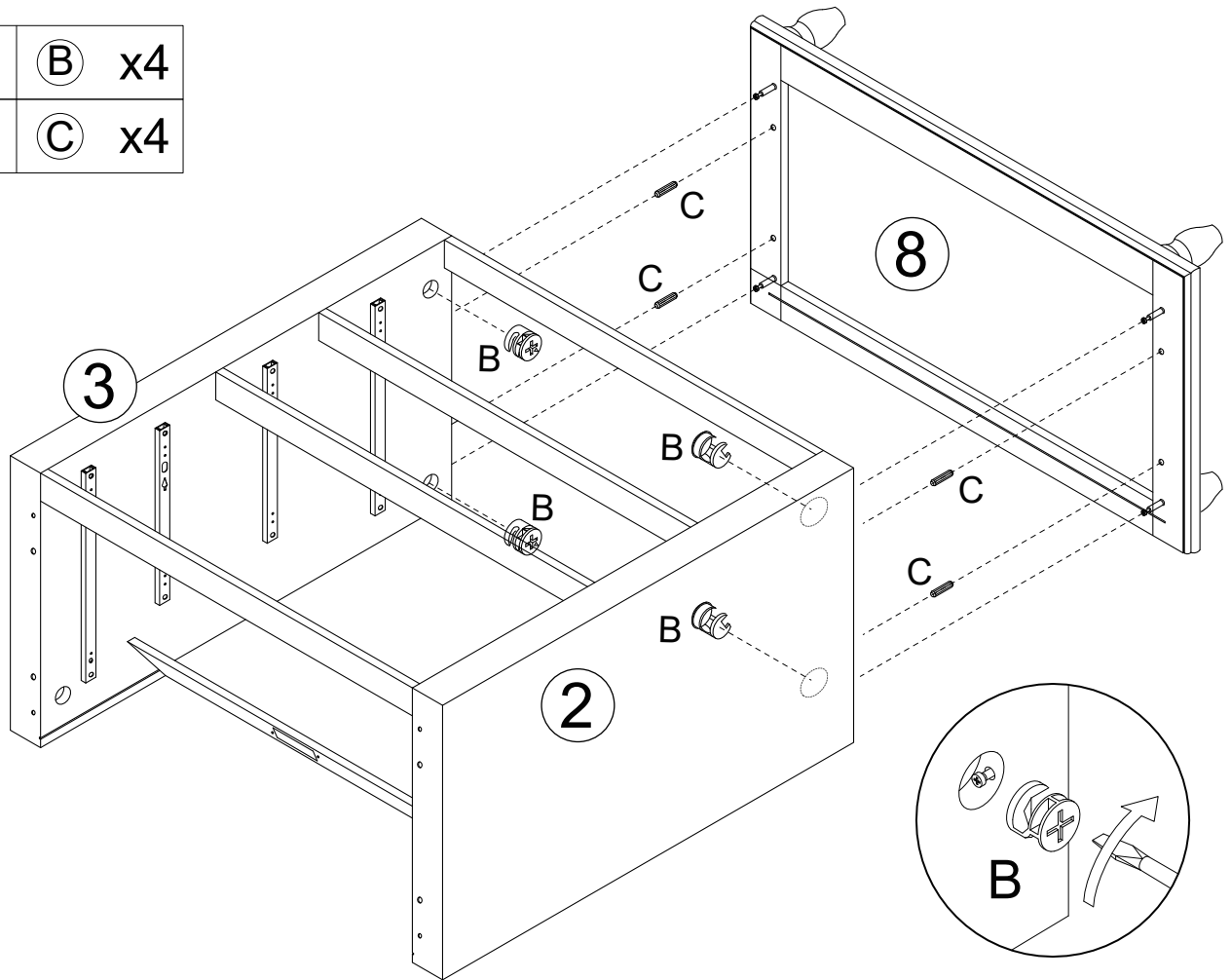
# STEP 5

|   |        |
|---|--------|
|  | (A) x4 |
|  | (O) x4 |





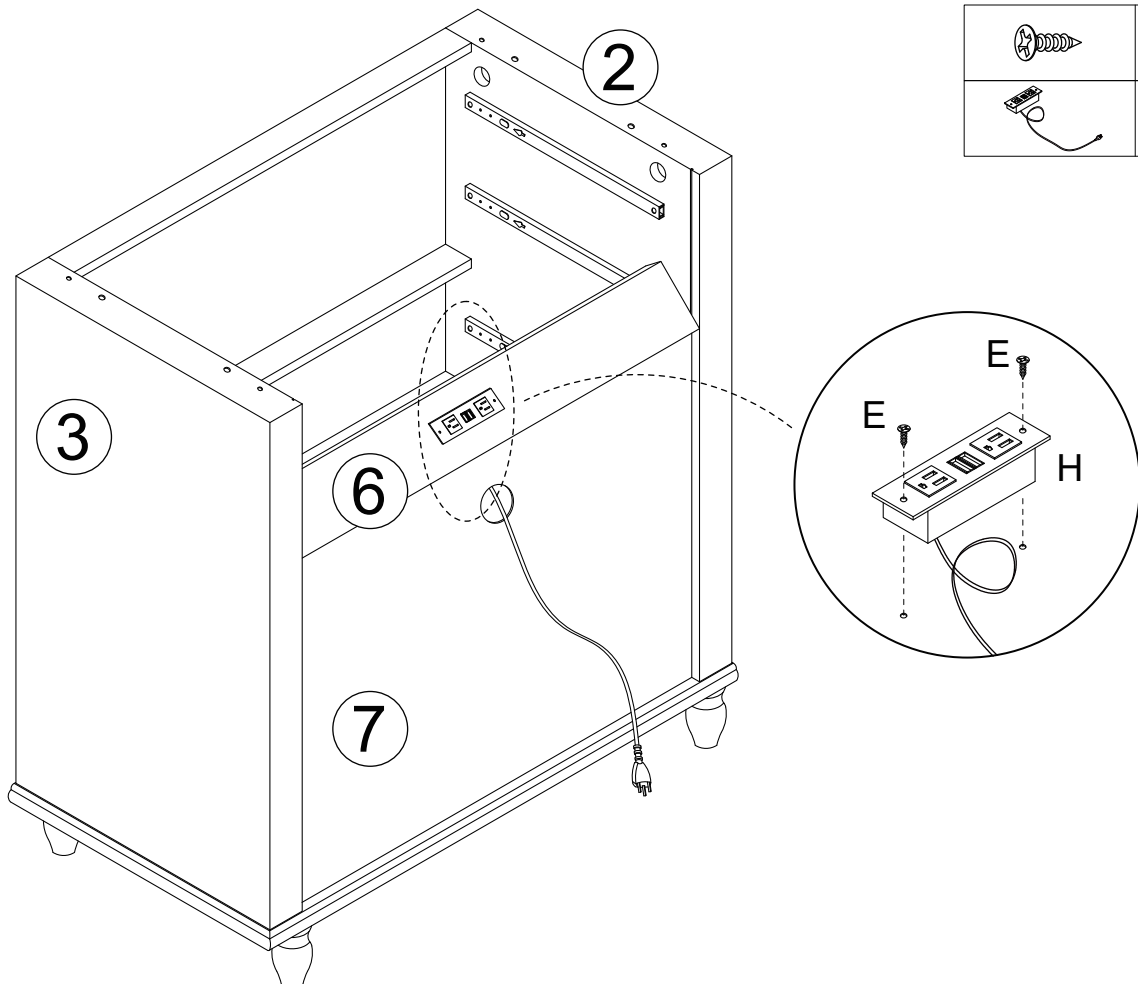
## STEP 6

|   |               |
|---|---------------|
|  | <b>(B)</b> x4 |
|  | <b>(C)</b> x4 |

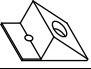



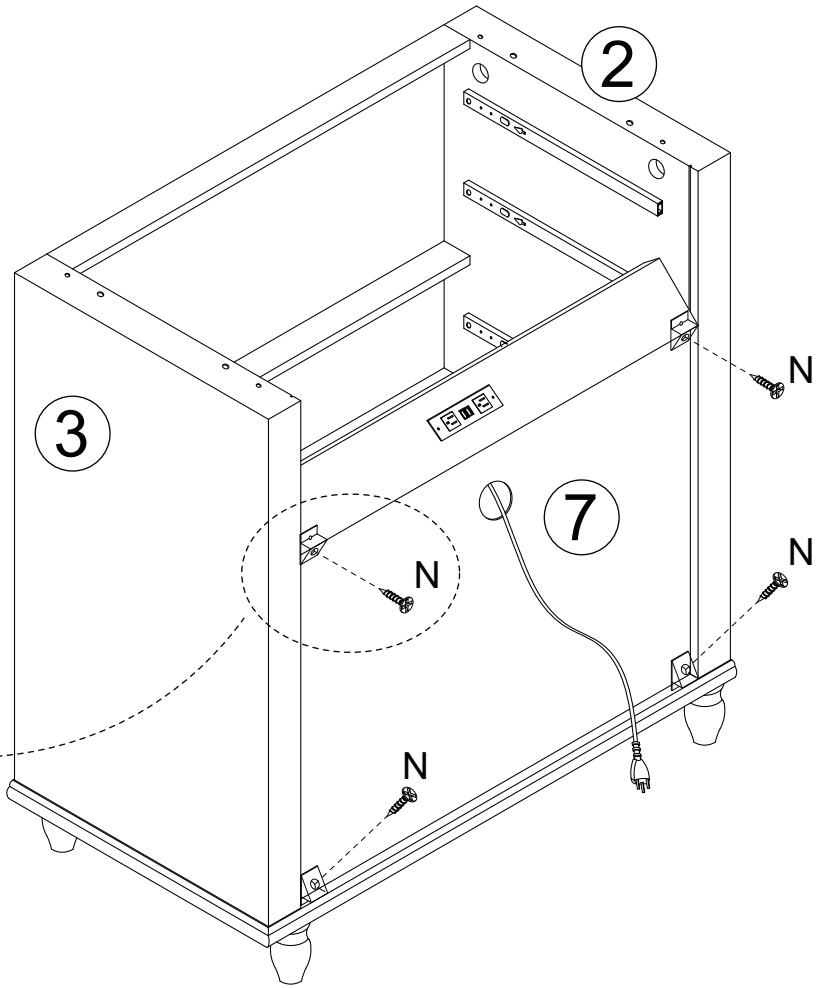
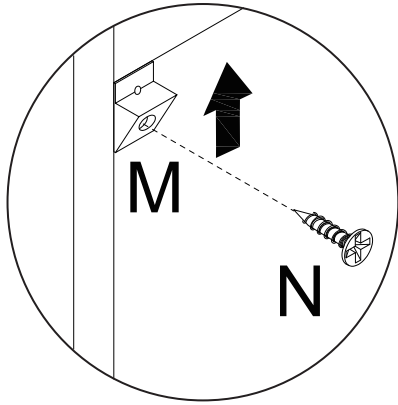
## STEP 7

|   |               |
|---|---------------|
|  | <b>(E)</b> x2 |
|  | <b>(H)</b> x1 |

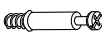




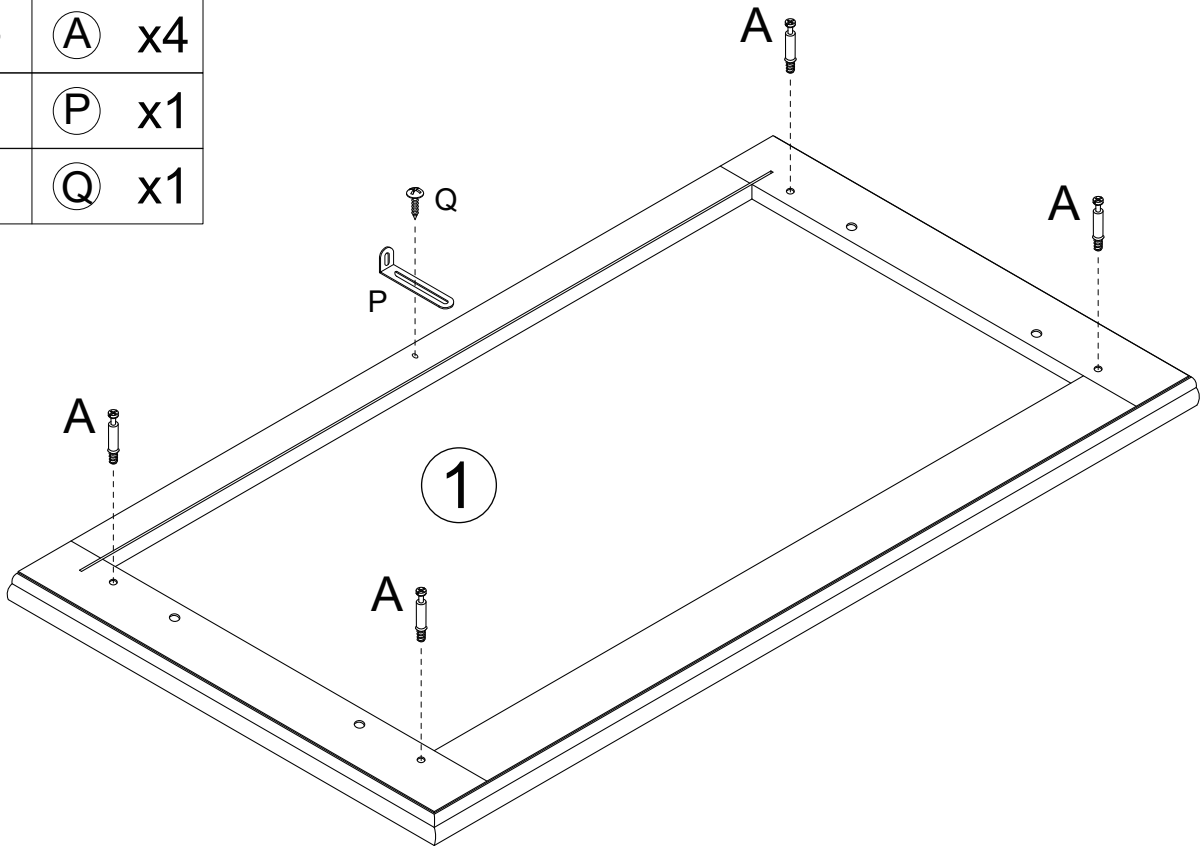
### STEP 8

|   |        |
|---|--------|
|  | (M) x4 |
|  | (N) x4 |





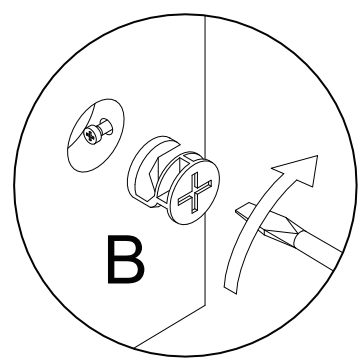
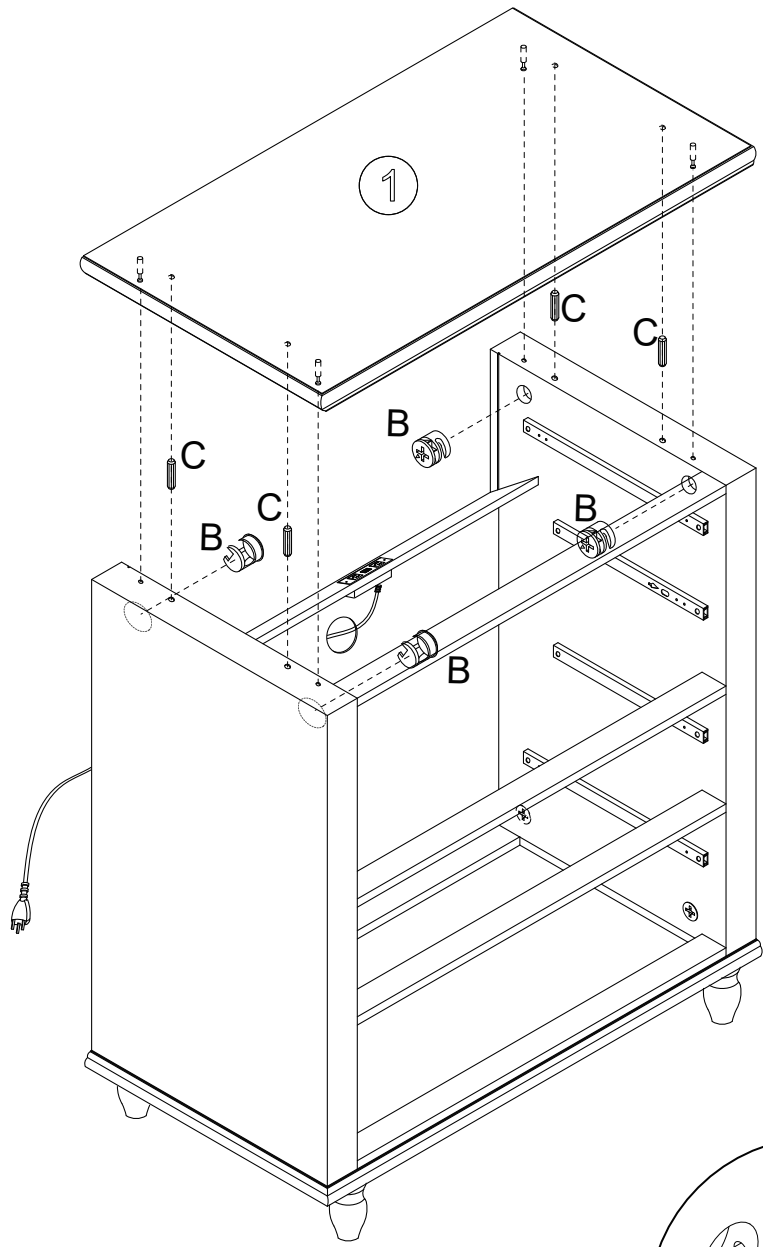
### STEP 9

|   |        |
|---|--------|
|  | (A) x4 |
|  | (P) x1 |
|  | (Q) x1 |

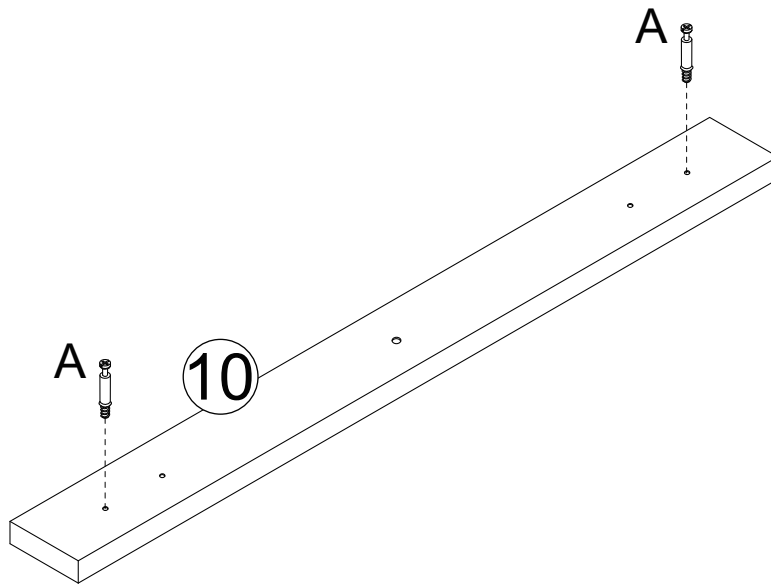
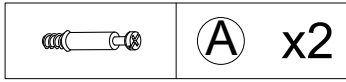


# STEP 9

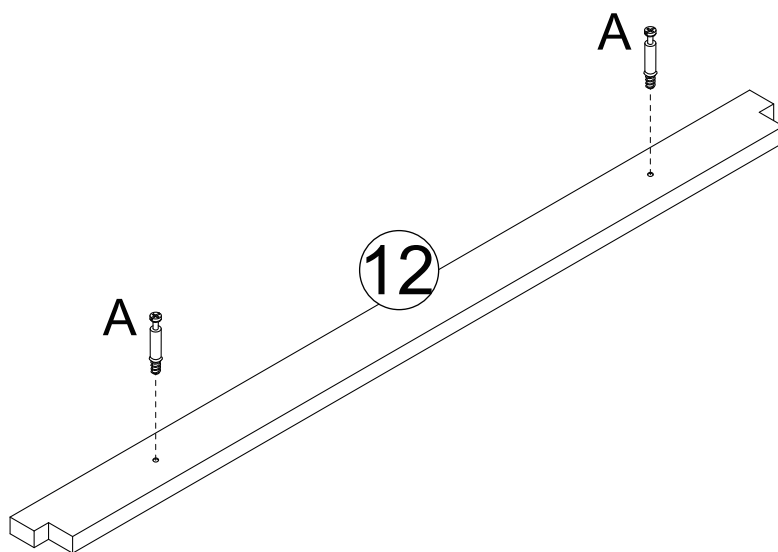
|   |             |
|---|-------------|
|   | <b>B</b> x4 |
|  | <b>C</b> x4 |




STEP 10

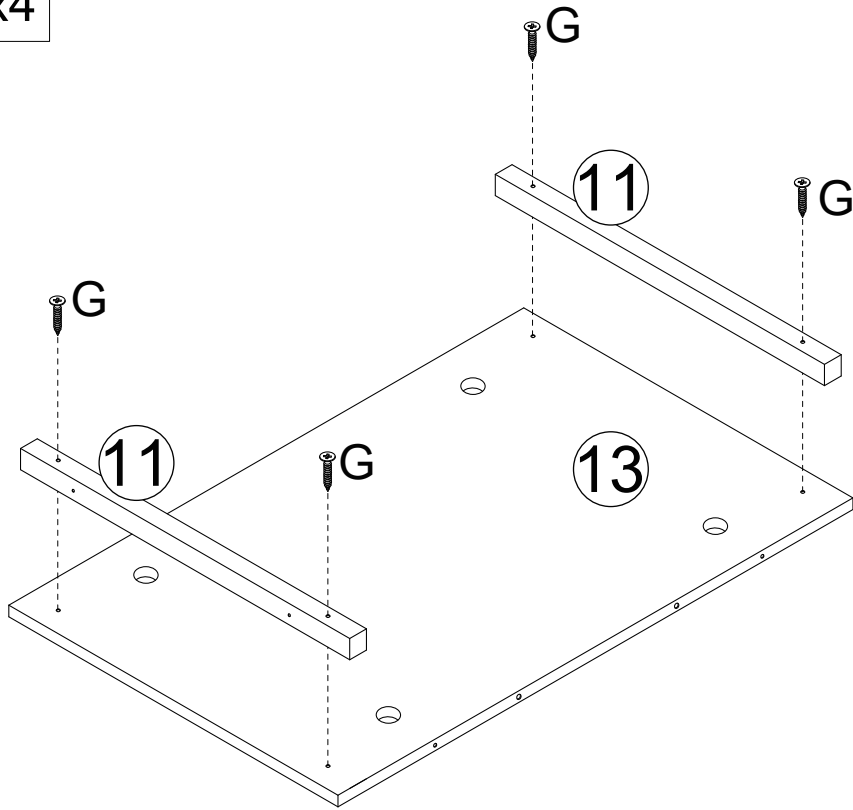


STEP 11


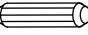




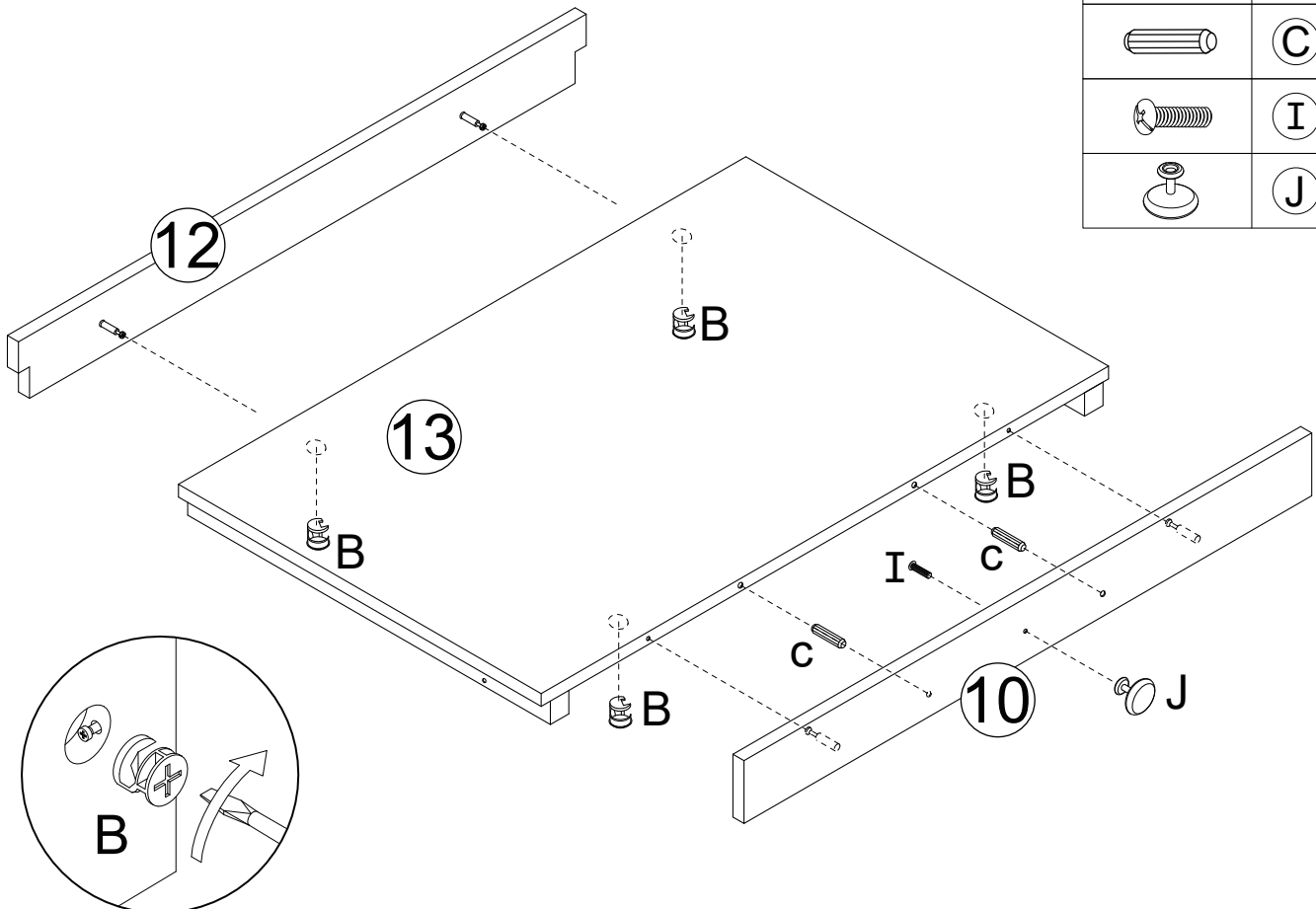
# STEP 12

|   |             |
|---|-------------|
|  | <b>G</b> x4 |
|---|-------------|

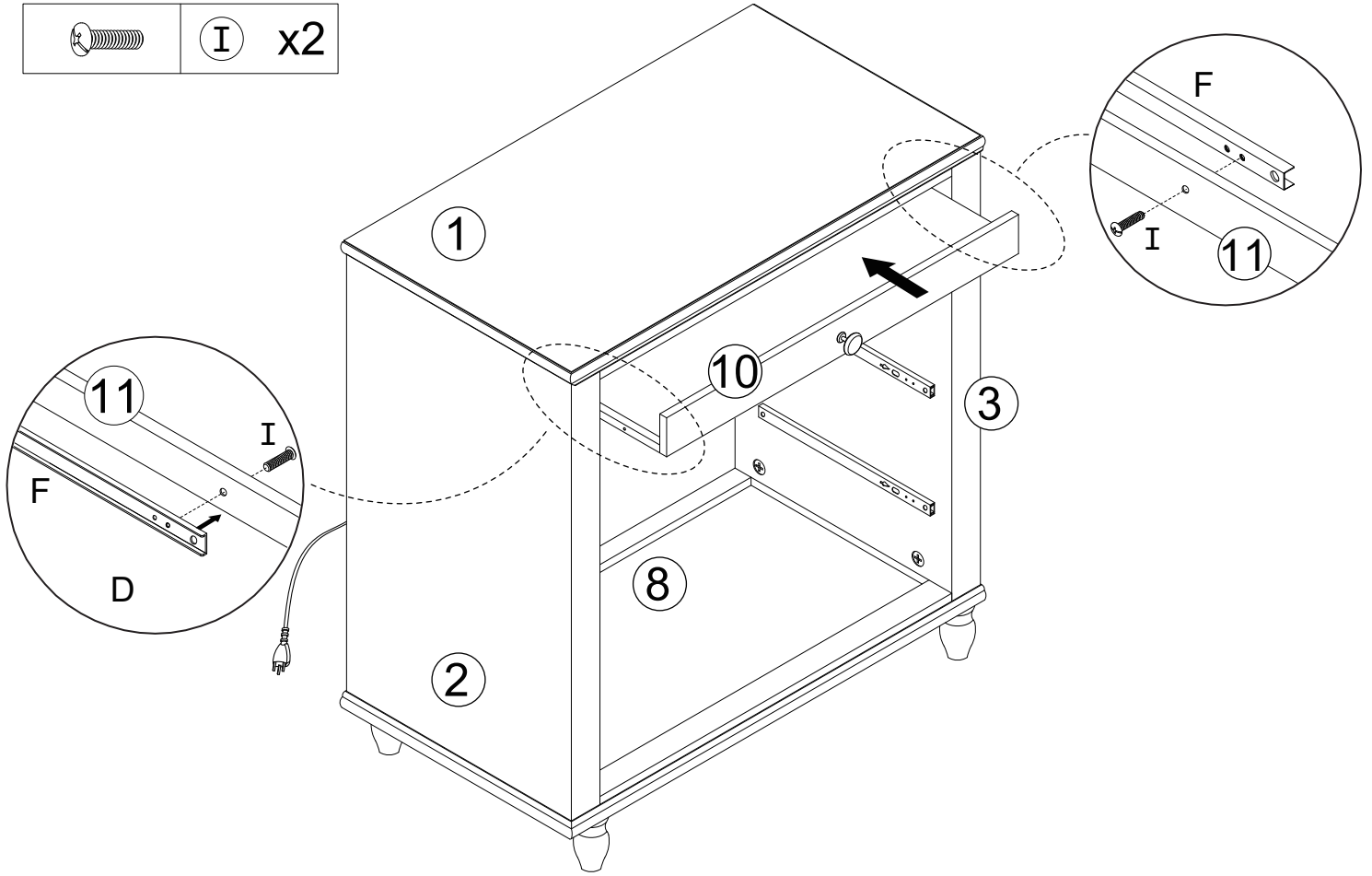
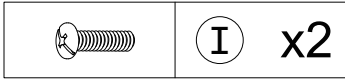


# STEP 13

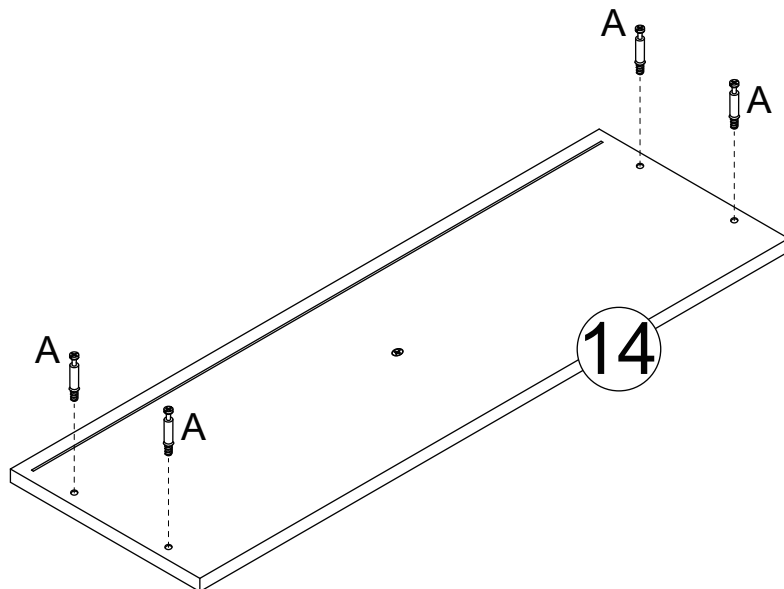
|   |             |
|---|-------------|
|  | <b>B</b> x4 |
|  | <b>C</b> x2 |
|  | <b>I</b> x1 |
|  | <b>J</b> x1 |



### STEP 14




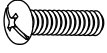


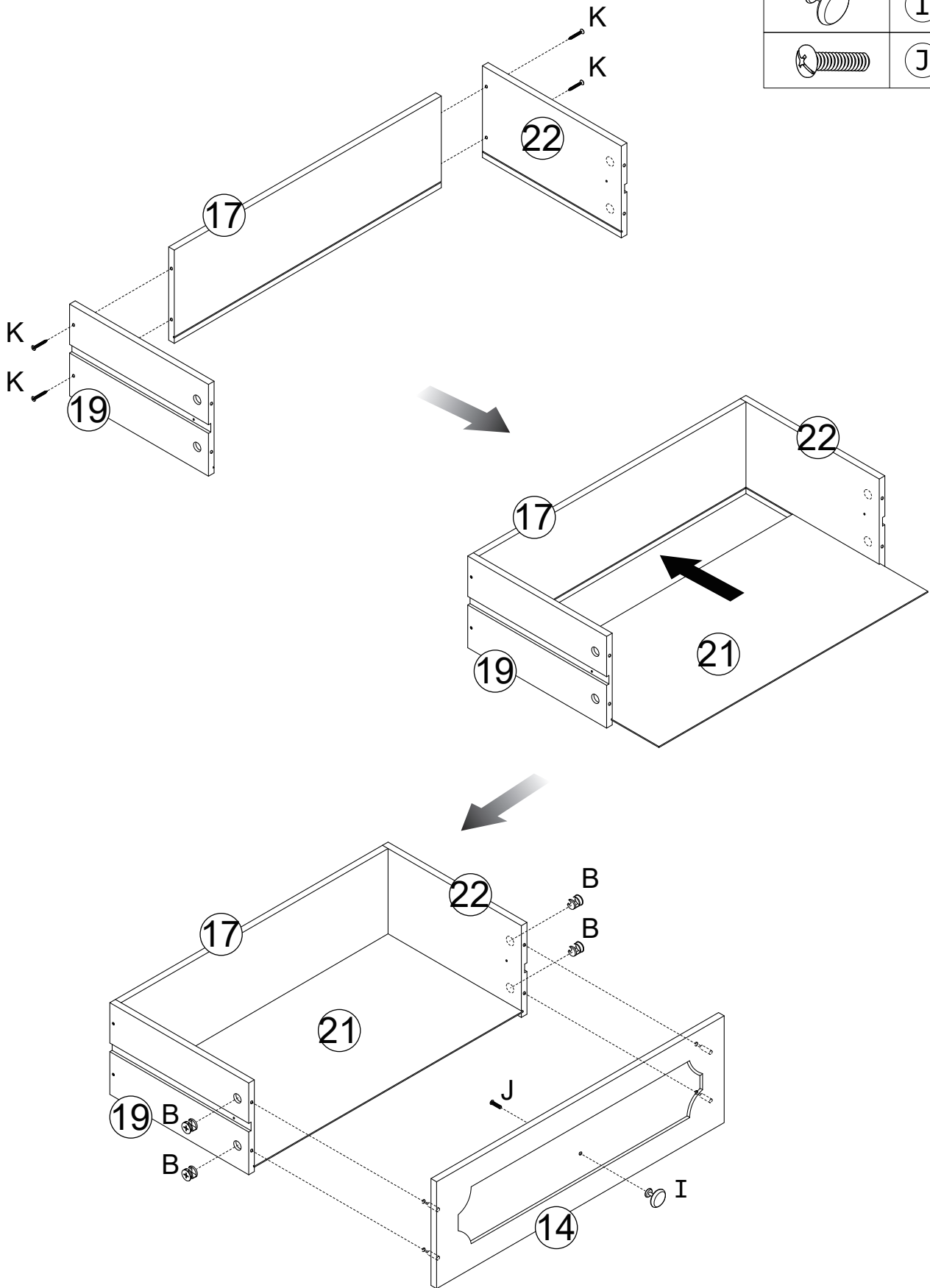
### STEP 15



x3





STEP 16

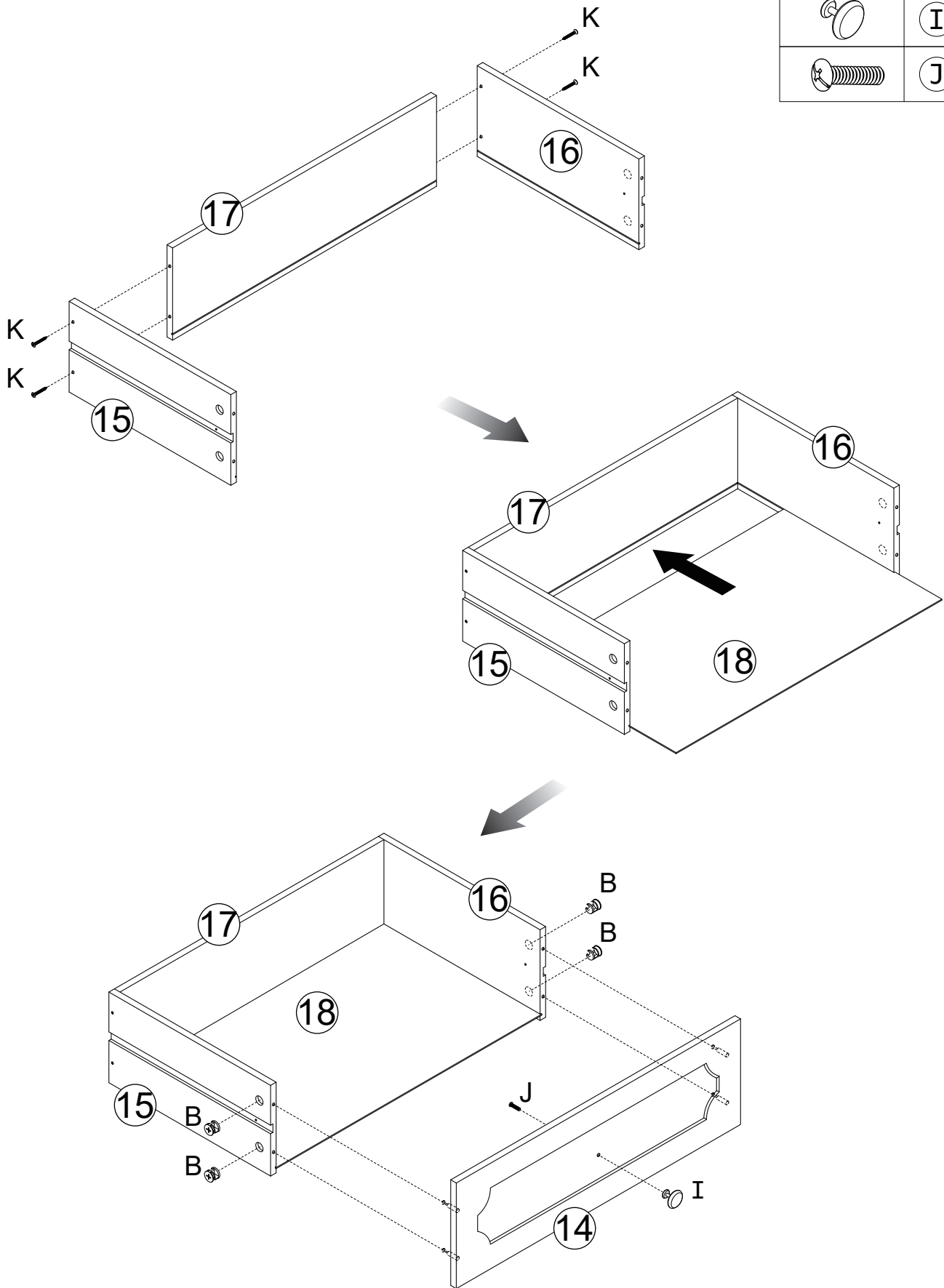
|   |       |
|---|-------|
|   | Ⓑ x 4 |
|  | Ⓚ x 4 |
|  | Ⓢ x 1 |
|  | Ⓝ x 1 |



x1


STEP 17

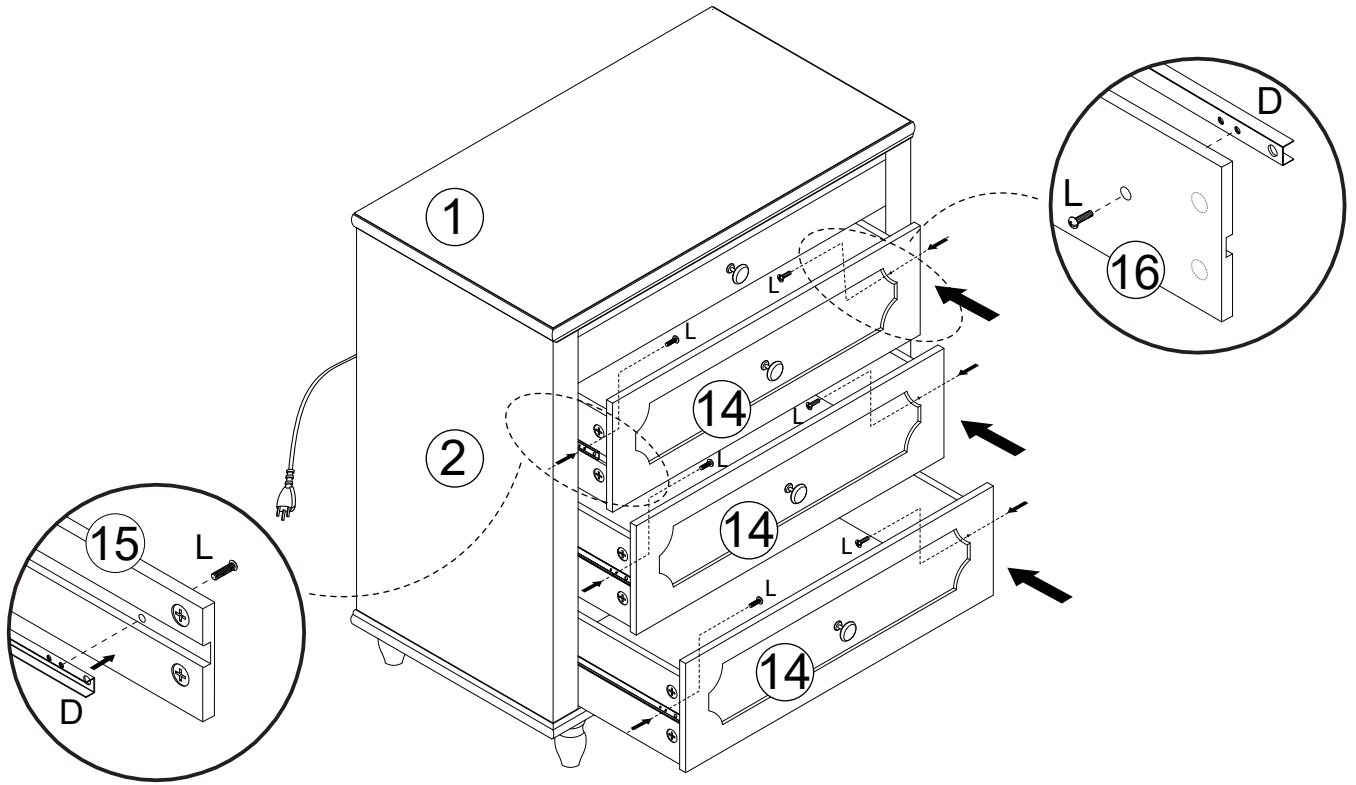
|   |      |
|---|------|
|   | ⓑ x8 |
|  | Ⓚ x8 |
|  | Ⓢ x2 |
|  | Ⓝ x2 |




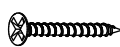
x2

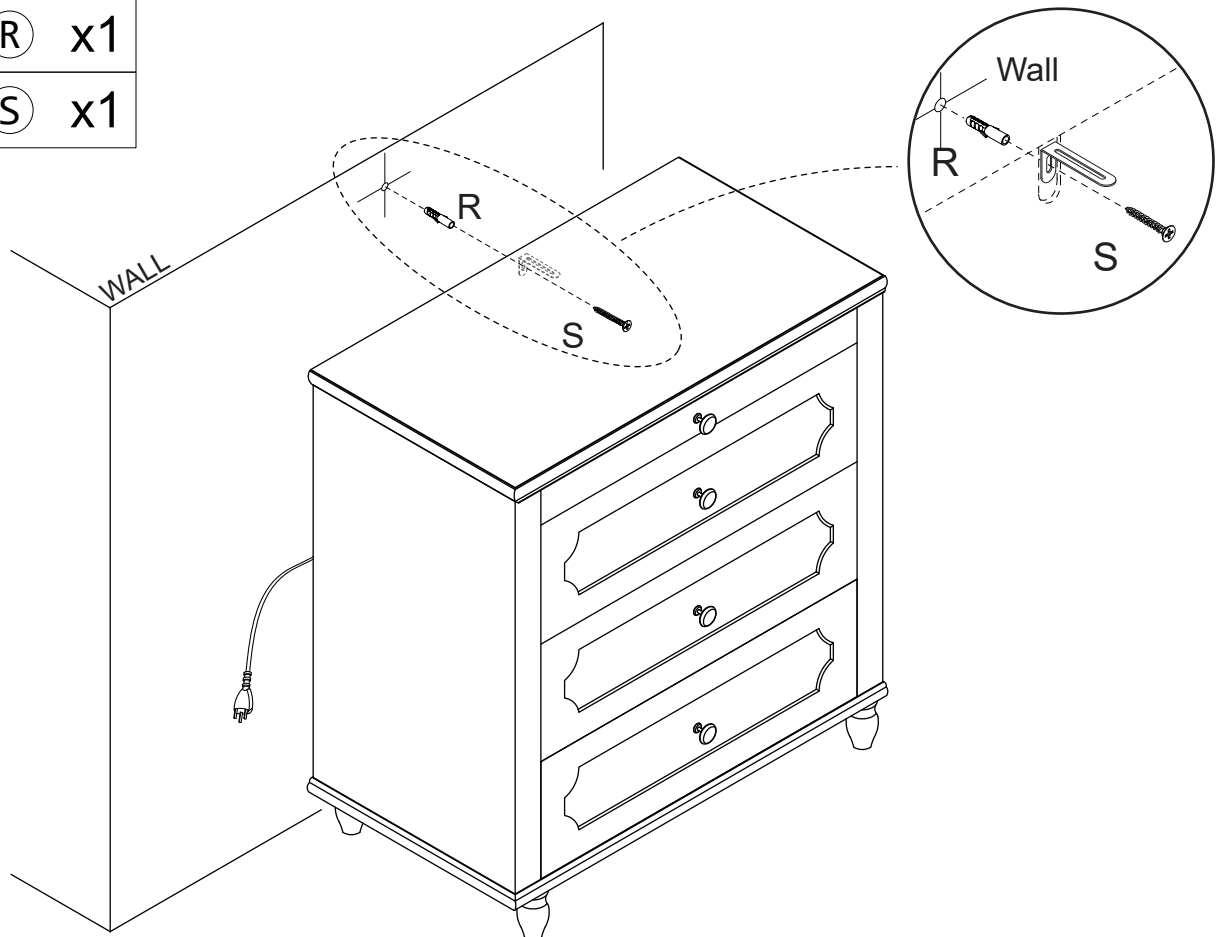
# STEP 18

|   |        |
|---|--------|
|  | (L) x6 |
|---|--------|



# STEP 19

|   |        |
|---|--------|
|  | (R) x1 |
|  | (S) x1 |



STEP 20

