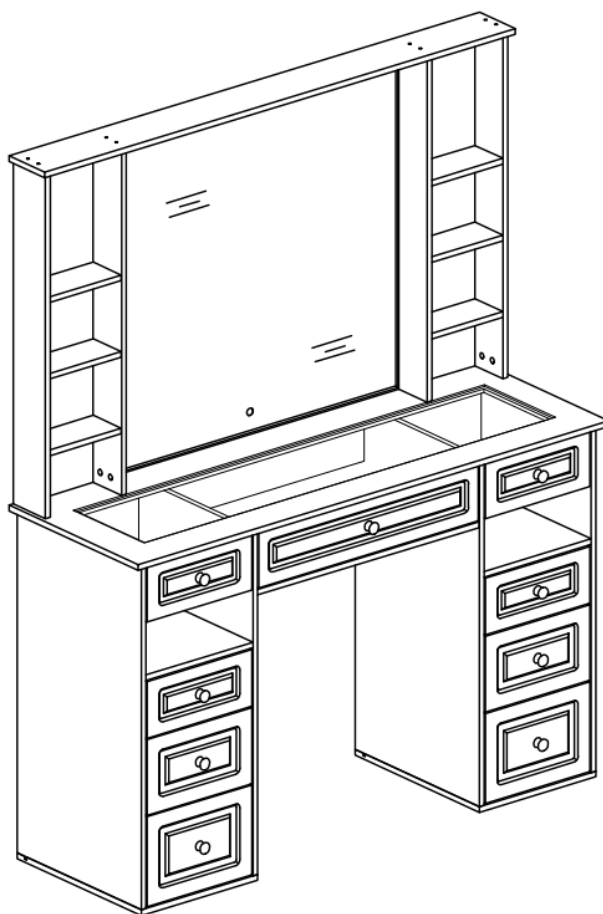
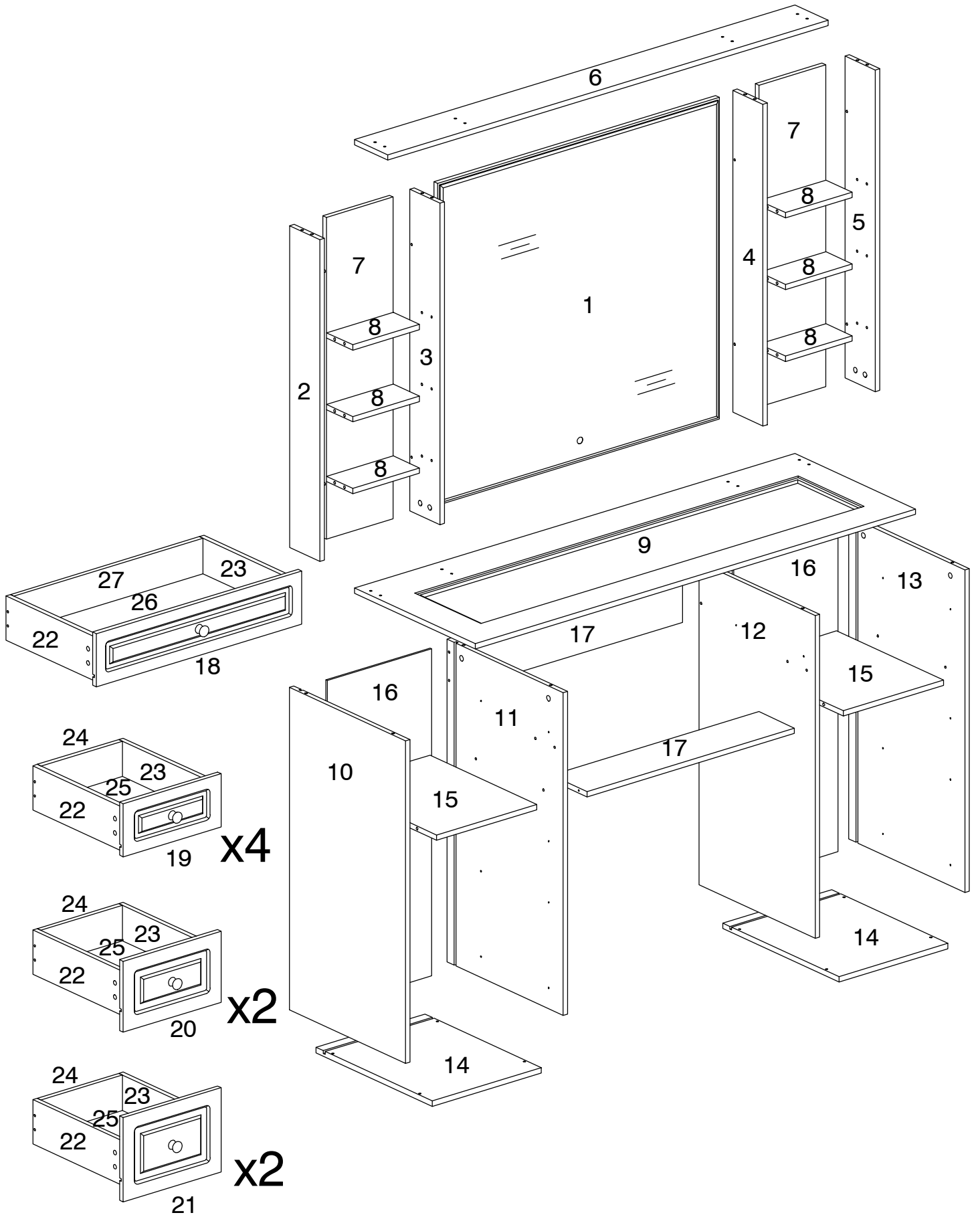


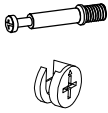



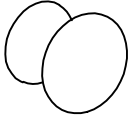





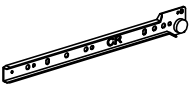
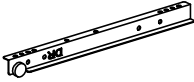
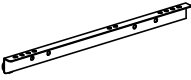
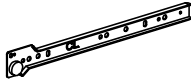

Installation & Assembly



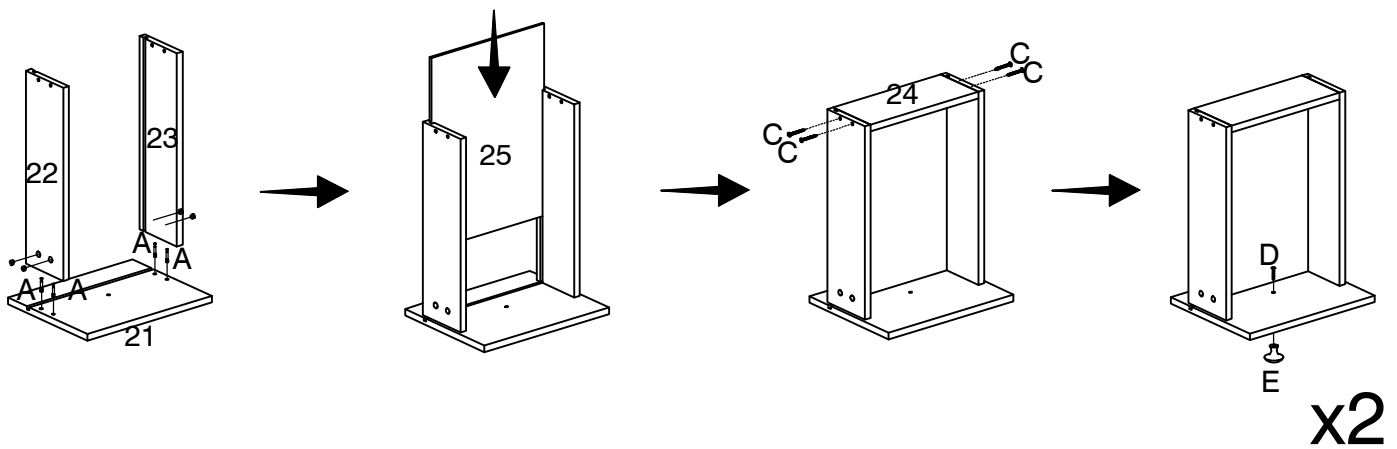


ASSEMBLY INSTRUCTION

P3

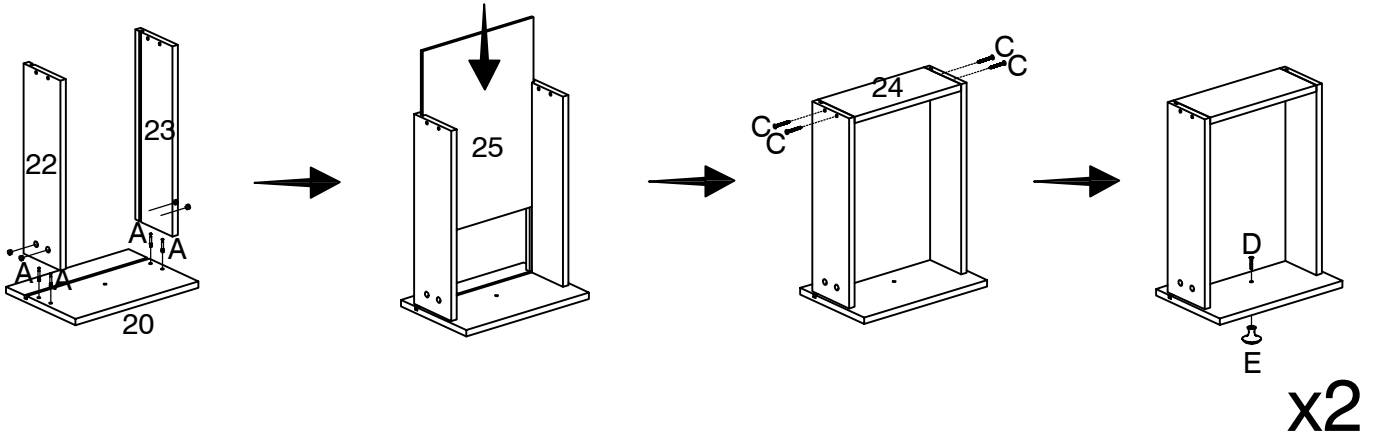
<p>A</p>  <p>96pcs</p>	<p>B</p>  <p>M4x10 72pcs</p>	<p>C</p>  <p>M4x30 60pcs</p>	<p>D</p>  <p>M4x16 9pcs</p>	<p>E</p>  <p>9pcs</p>
<p>F</p>  <p>1pcs</p>	<p>G</p>  <p>1pcs</p>	<p>H</p>  <p>1pcs</p>	<p>I</p>  <p>1pcs</p>	<p>J</p>  <p>1pcs</p>
<p>CR</p>  <p>9pcs</p>	<p>DR</p>  <p>9pcs</p>	<p>DL</p>  <p>9pcs</p>	<p>CL</p>  <p>9pcs</p>	<p>K</p>  <p>1pcs</p>

1



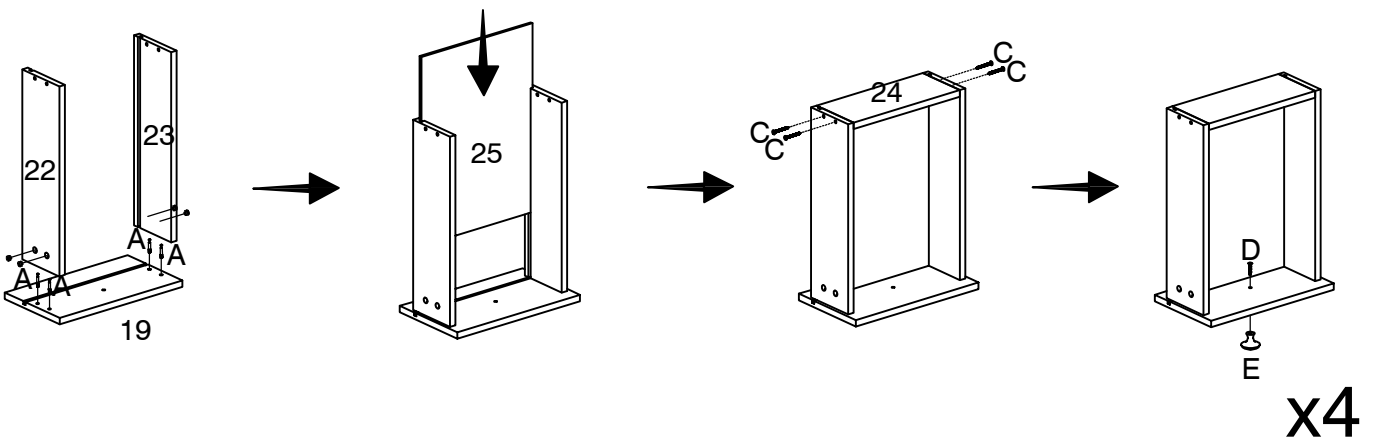
A	x8
C	x8
D	x2
E	x2

2



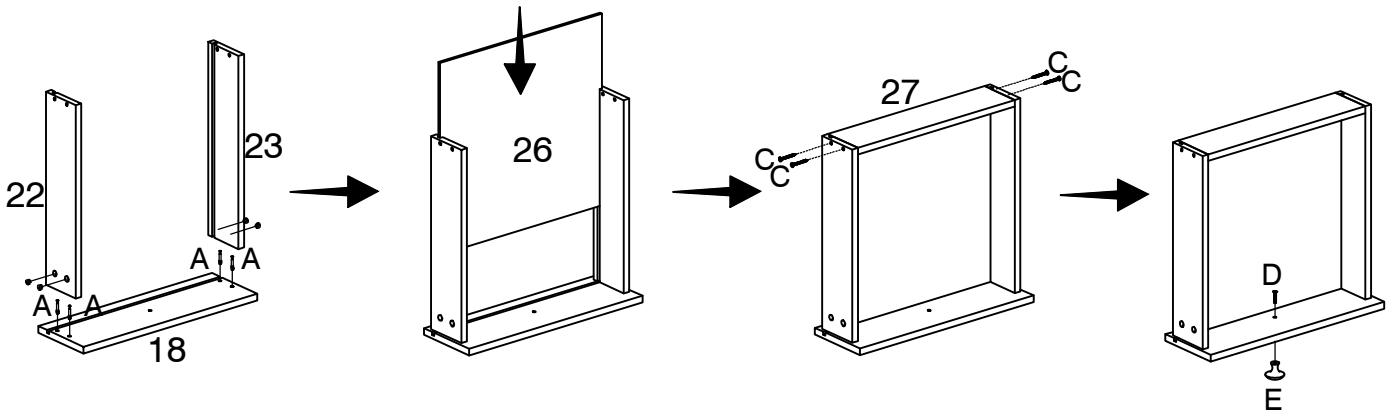
A	x8
C	x8
D	x2
E	x2

3



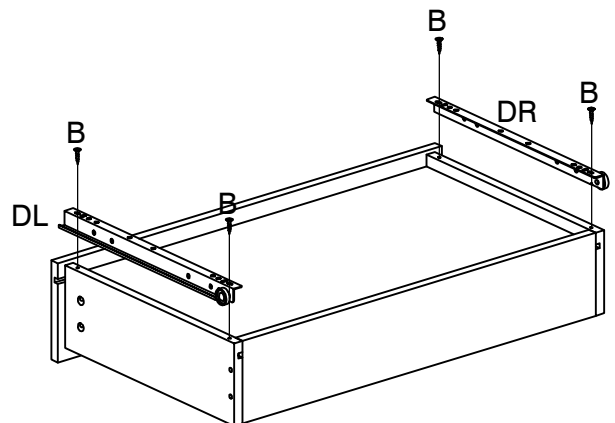
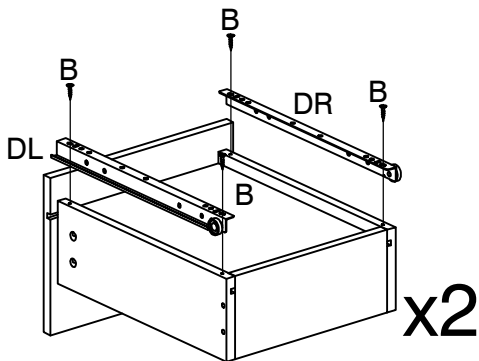
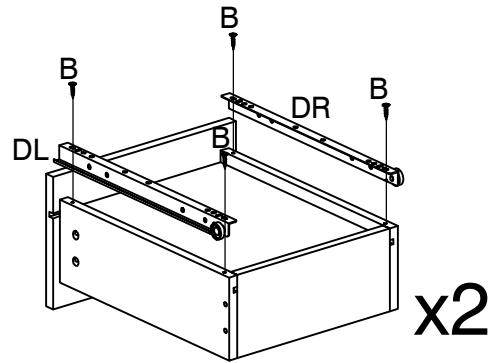
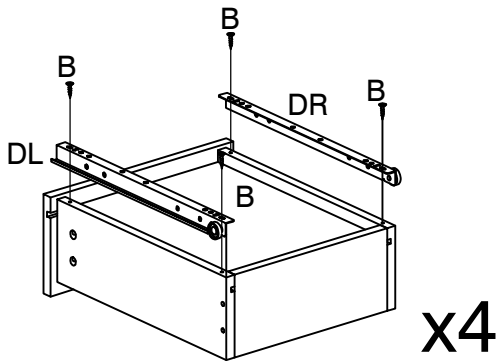
A	x16
C	x16
D	x4
E	x4

4



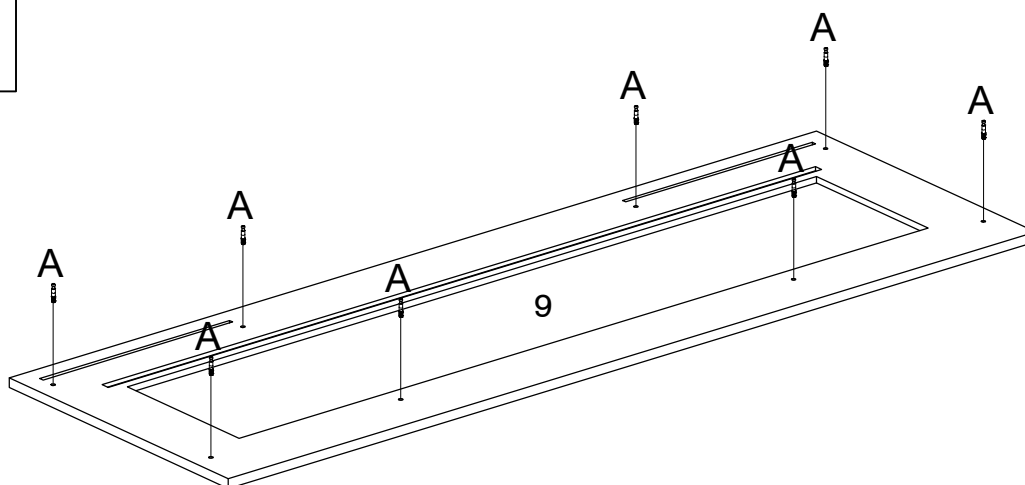
A	x4
C	x4
D	x1
E	x1

5

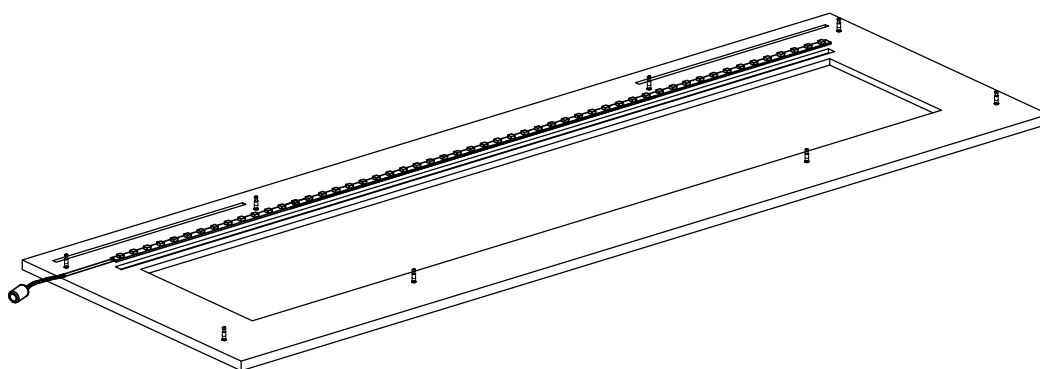


B	x36
DR	x9
DL	x9

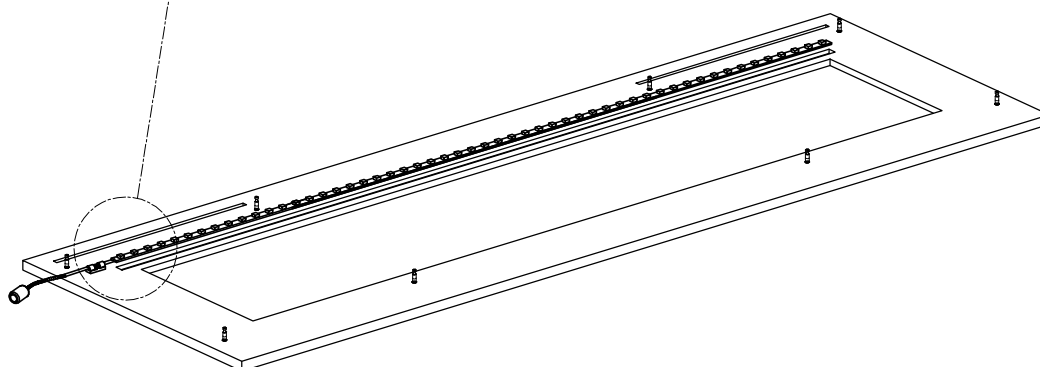
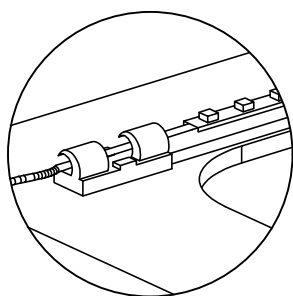
6



1. Take out the glass first, then install A on the opposite side.



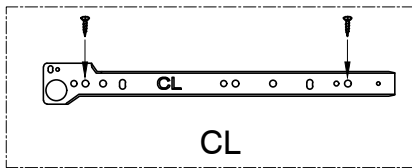
2. Tear off the film on the lamp strip and stick it in the middle of the lamp groove, as shown in the steps.



Adhere the plastic part with double-sided glue, and then jam the thread into the plastic piece.

F	x1
G	x1
A	x8

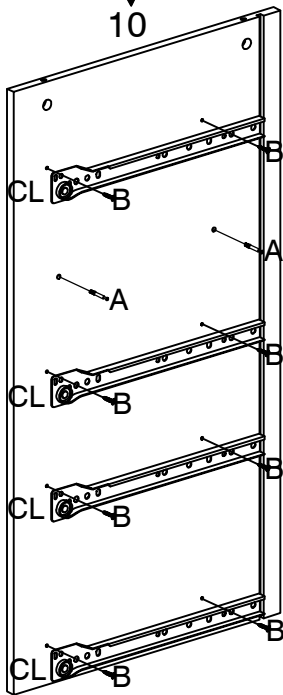
7



CL



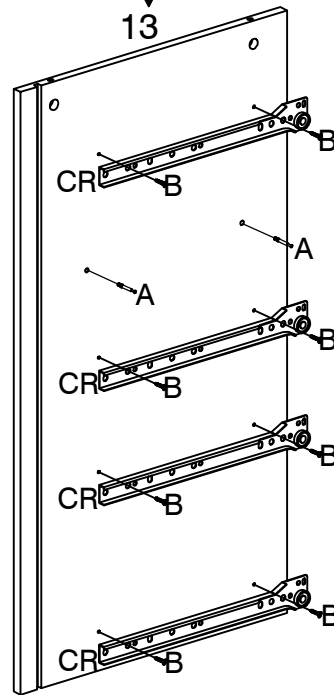
10



CR

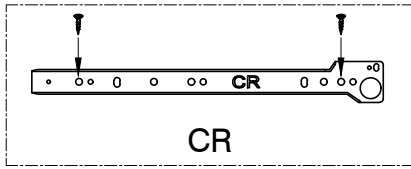


13

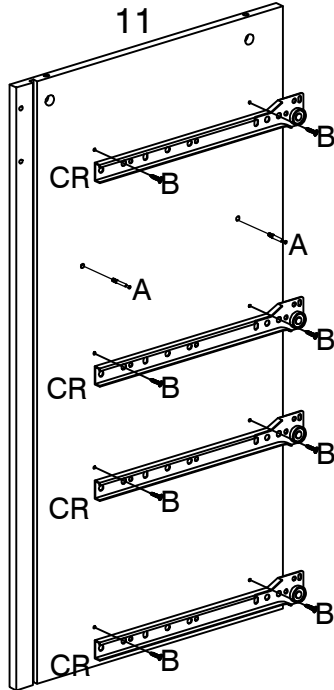


A	x4
B	x16
CR	x4
CL	x4

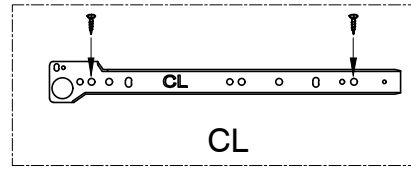
8



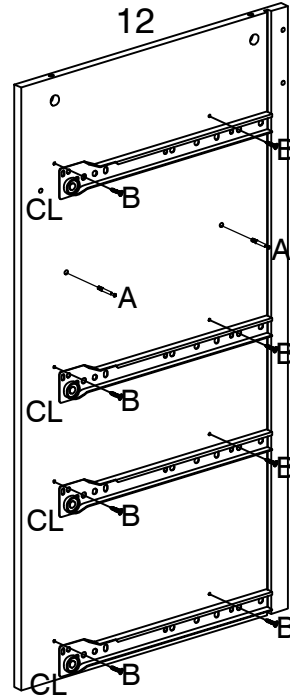
CR



11



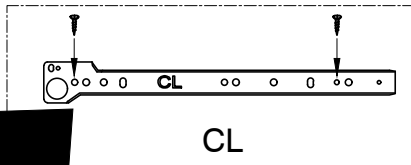
CL



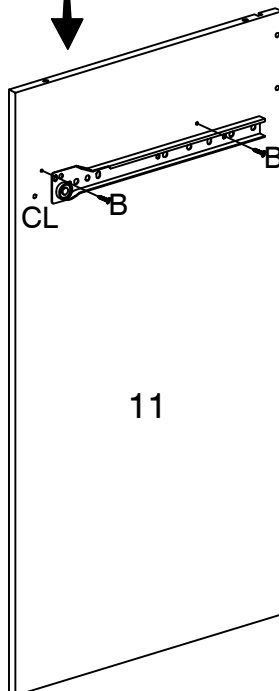
12

A	x4
B	x16
CR	x4
CL	x4

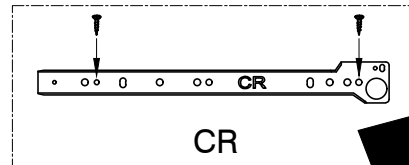
9



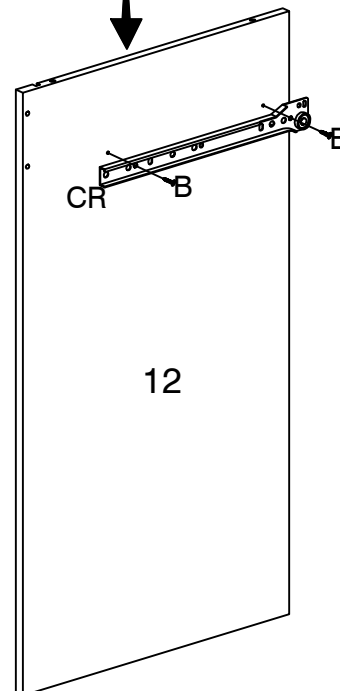
CL



11



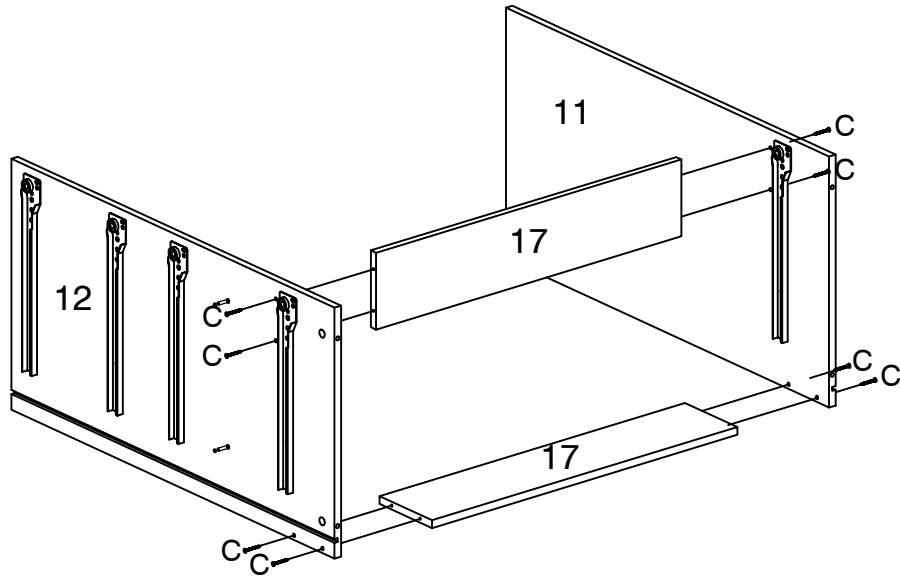
CR



12

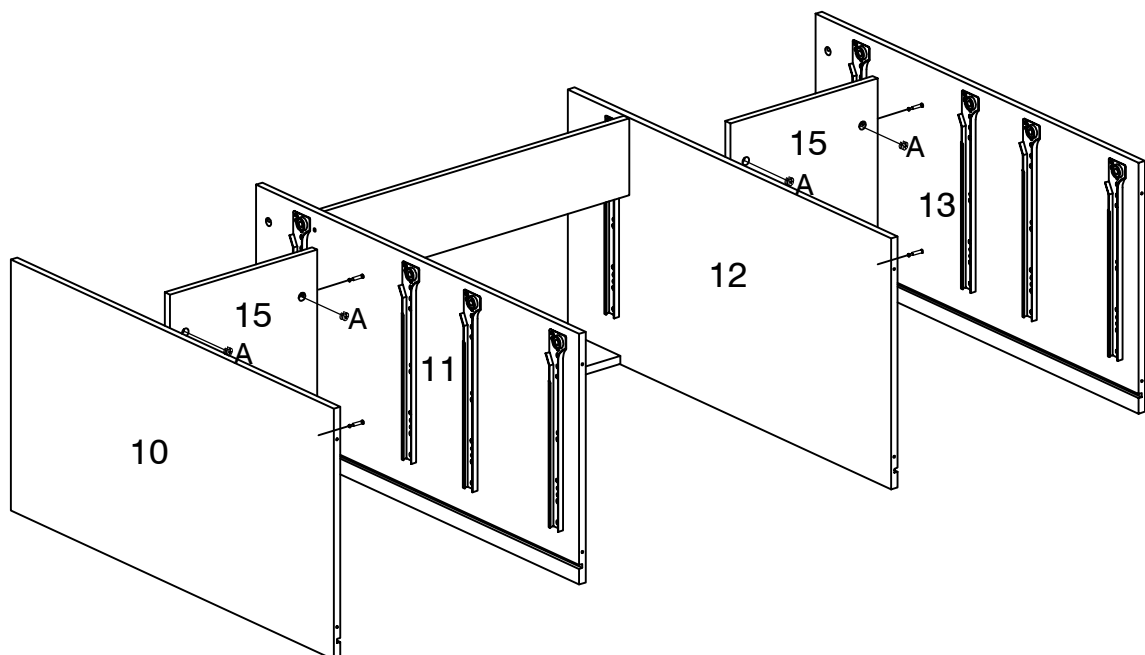
B	x4
CR	x1
CL	x1

10

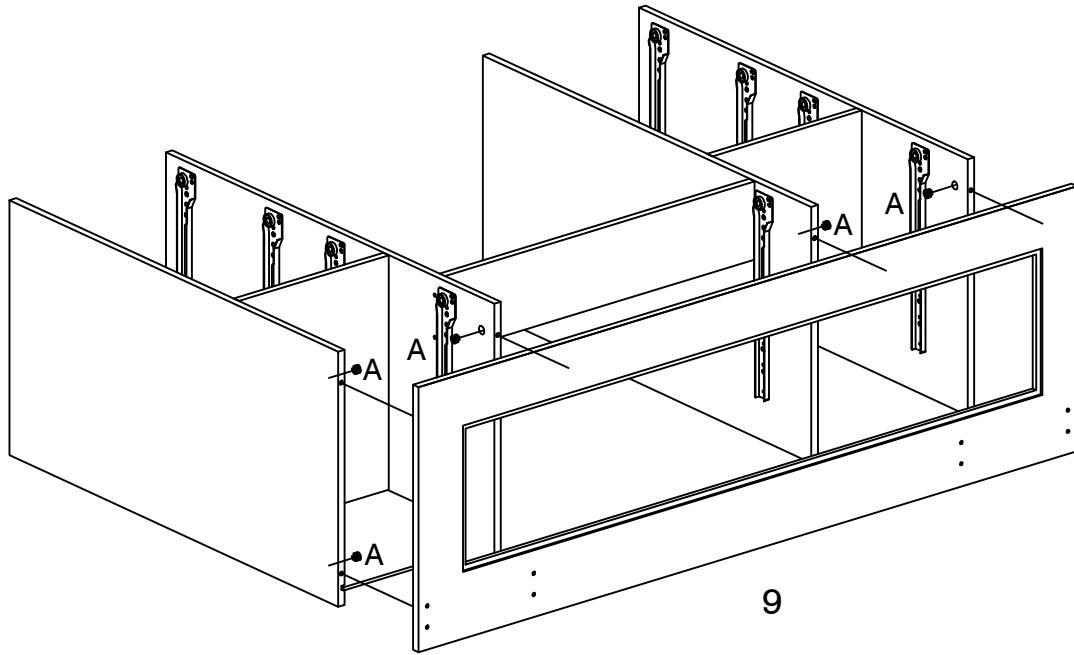


C x8

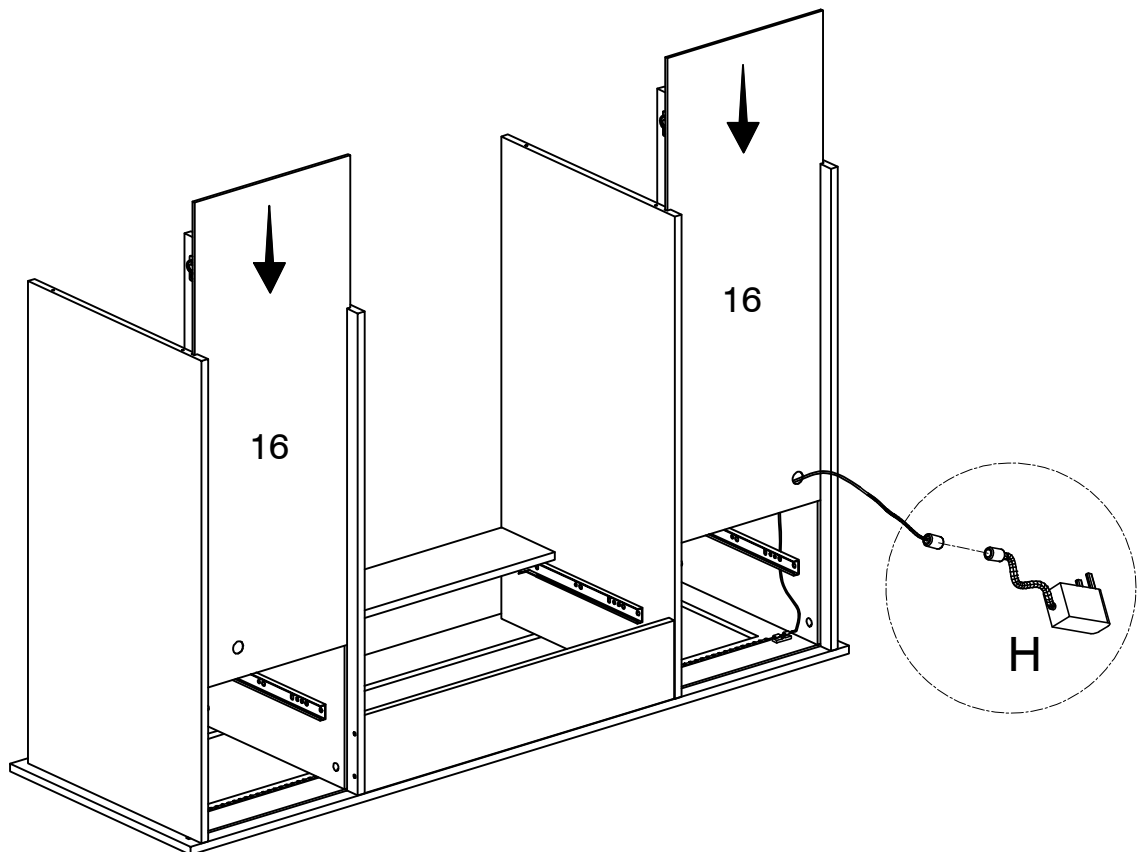
11



12

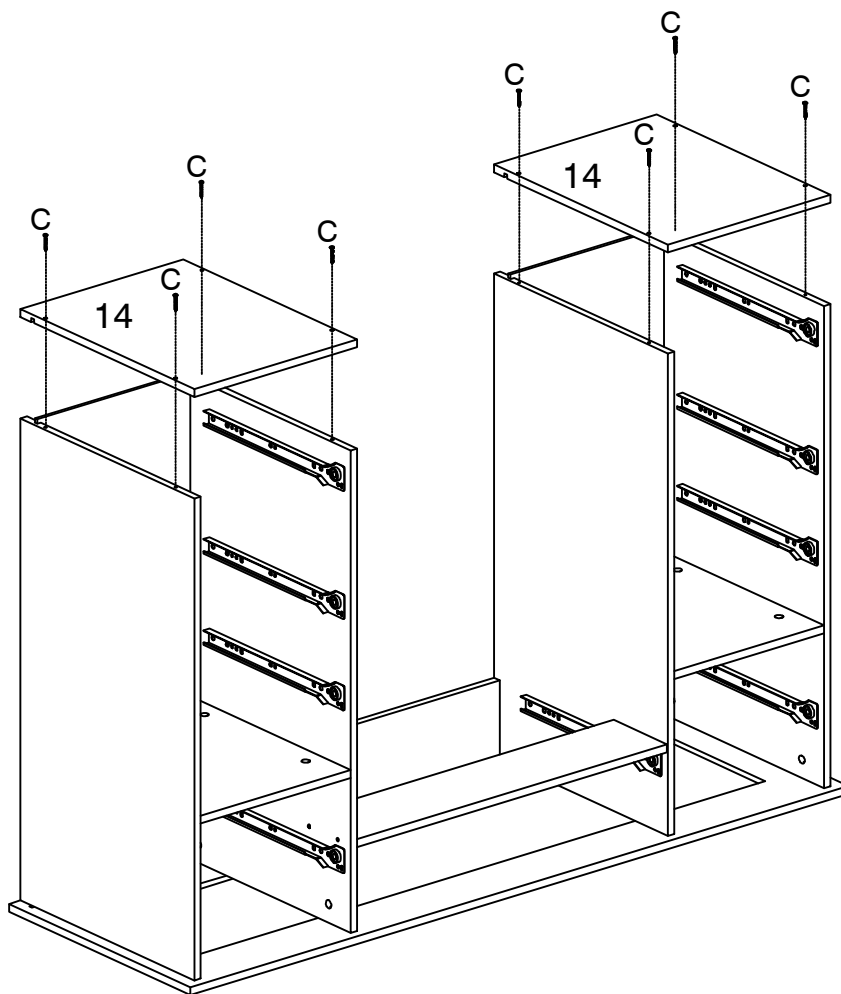


13

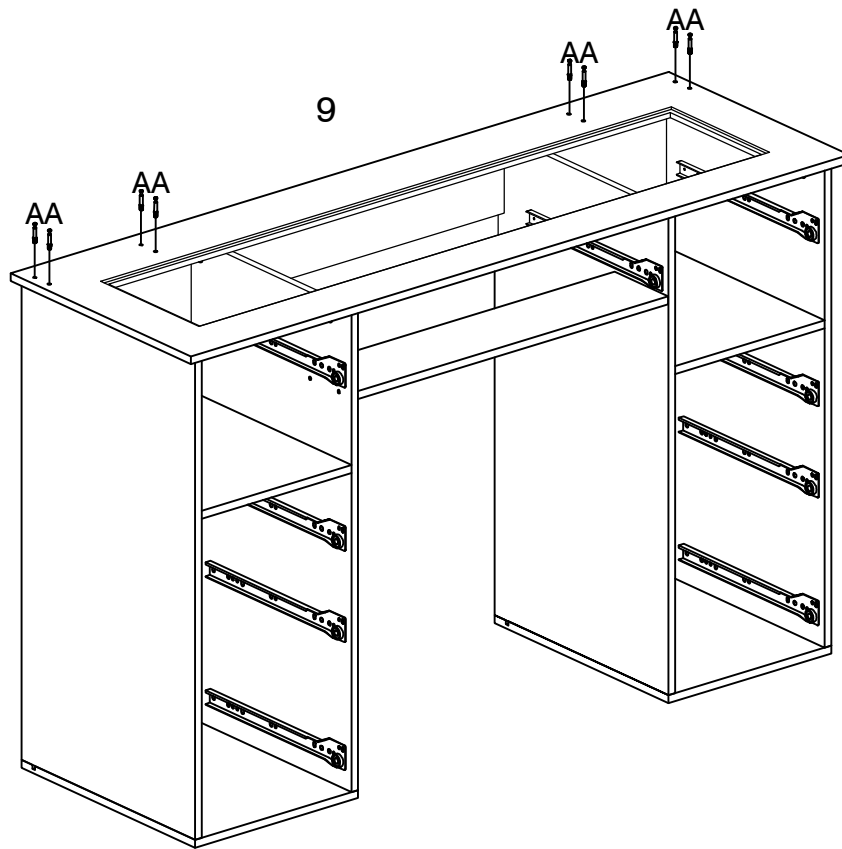


H x1

14

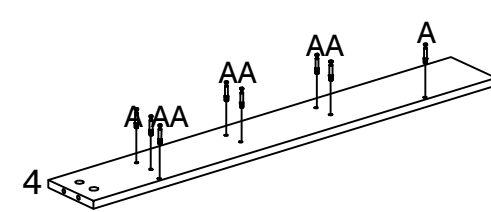
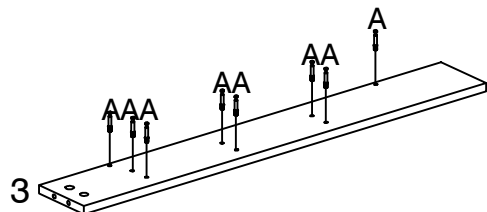
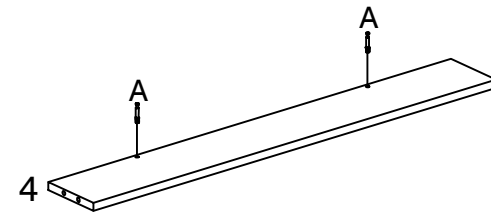
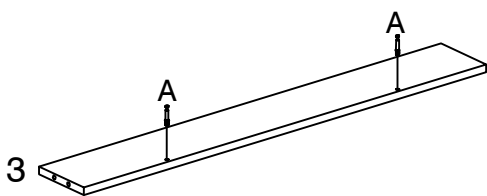
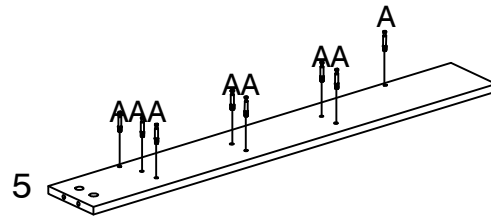
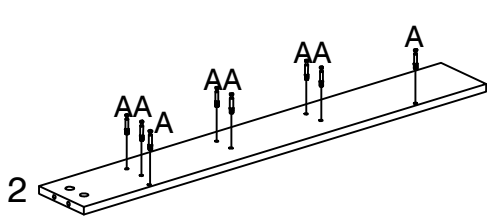


15



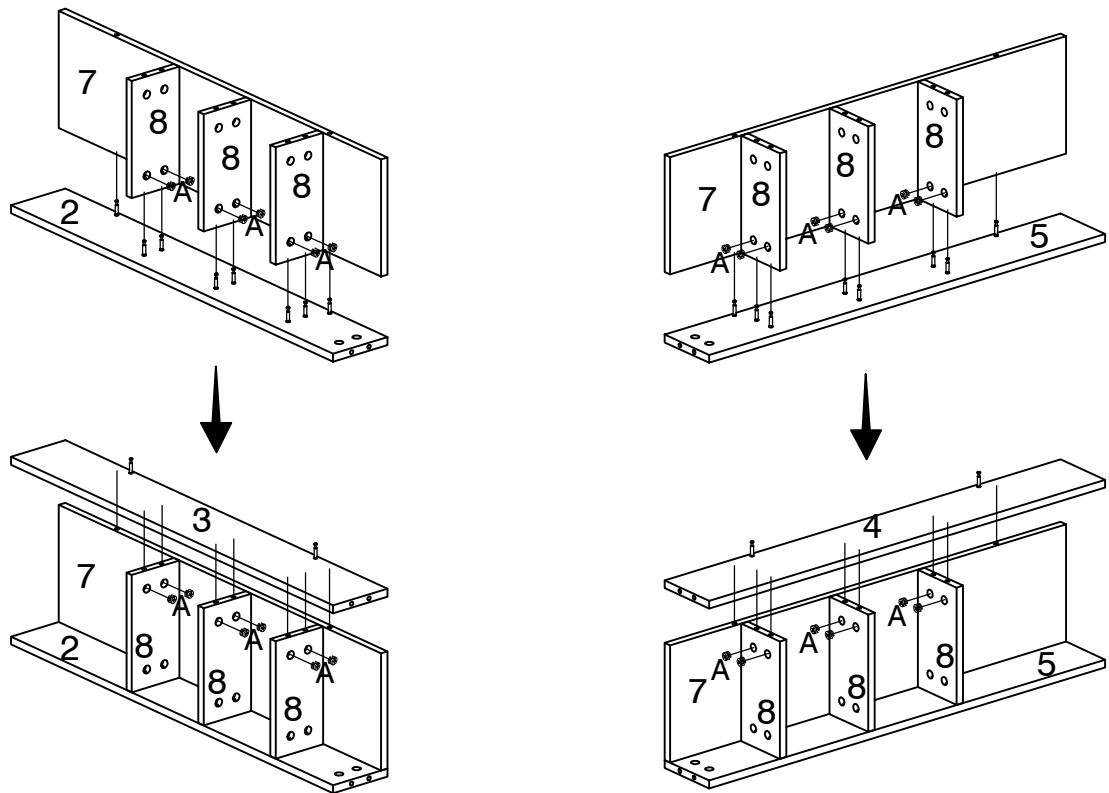
A x8

16

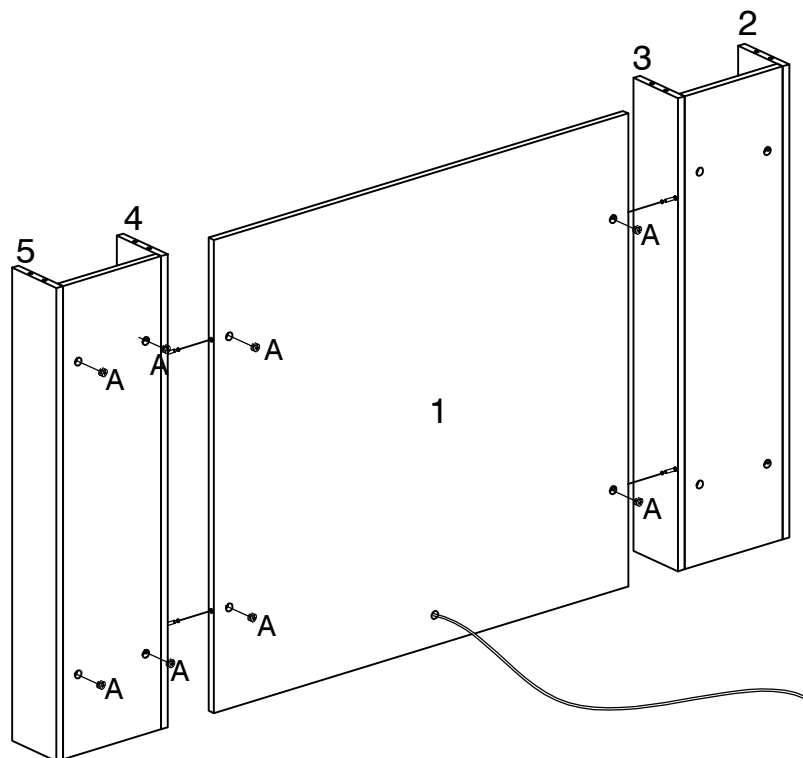


A x36

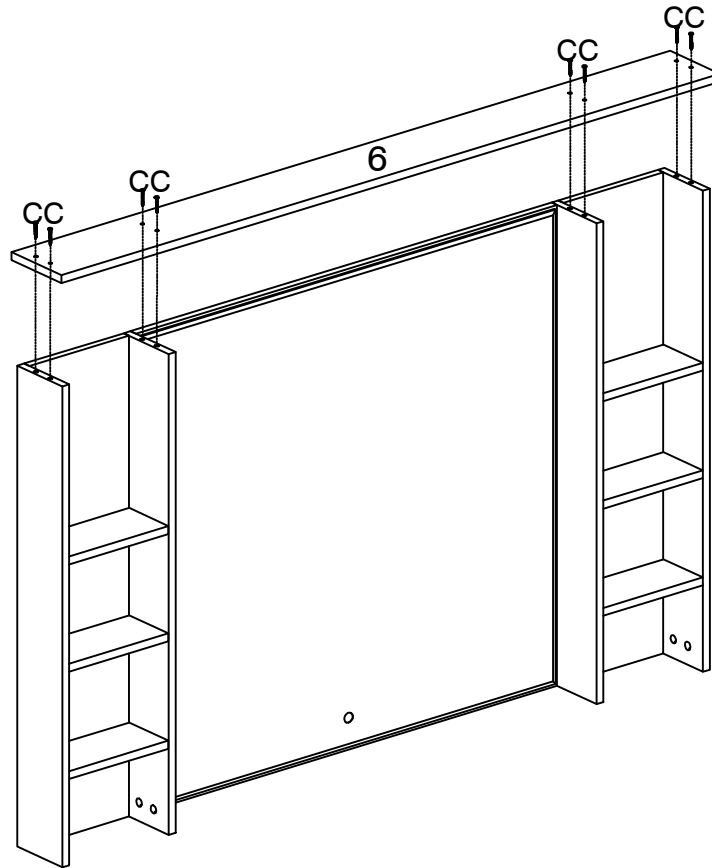
17



18

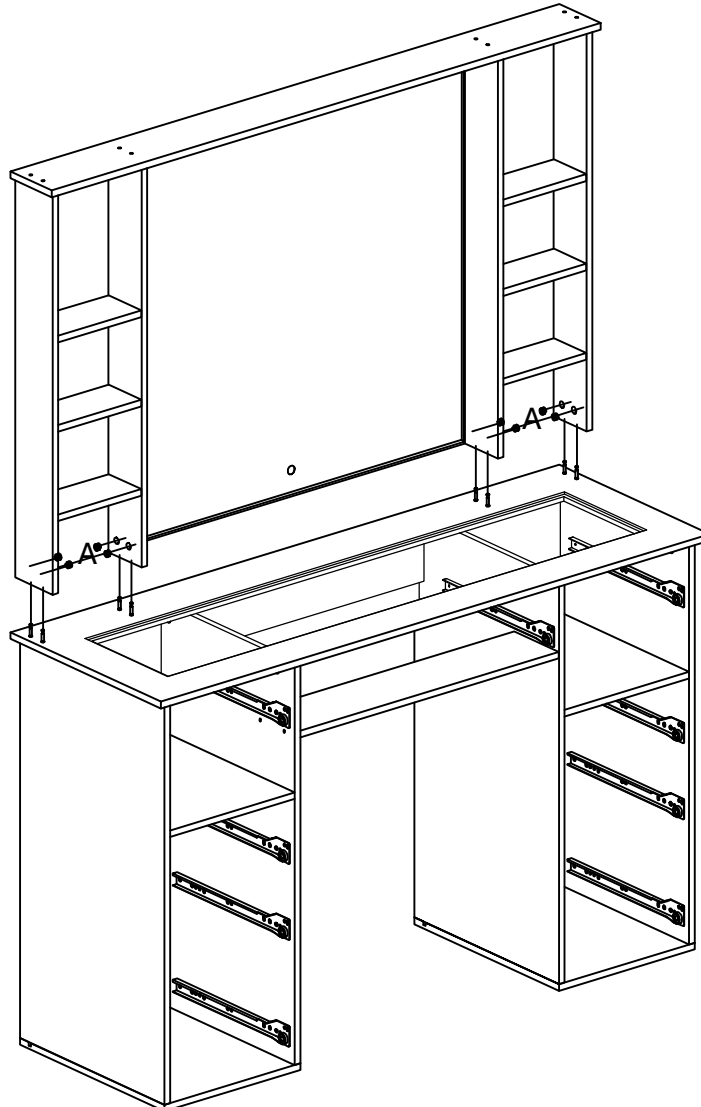


19

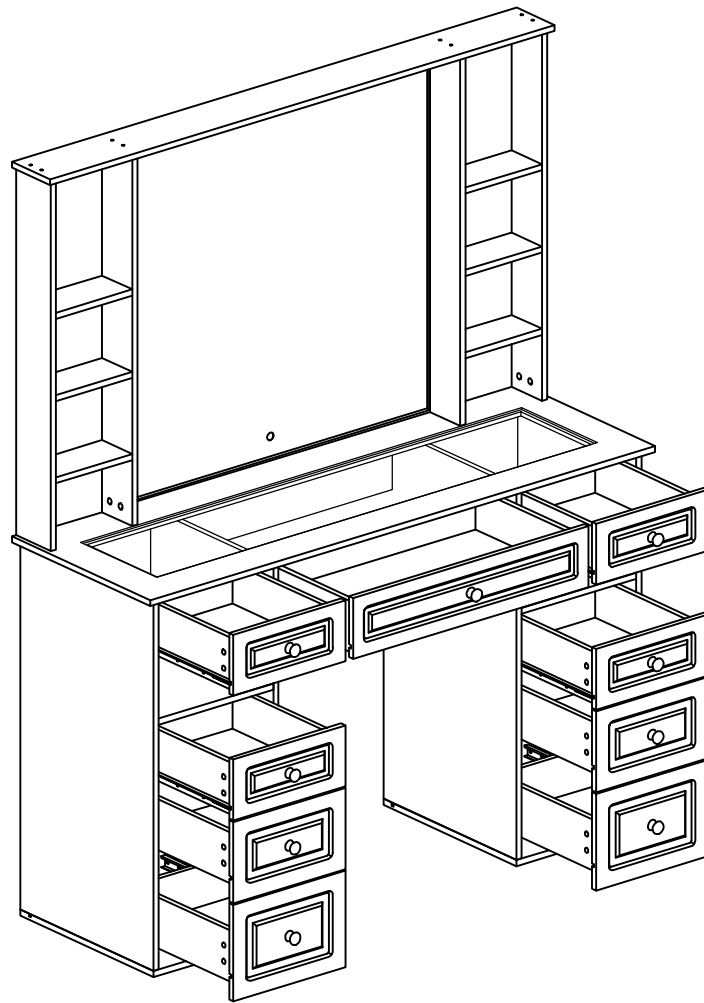


C x8

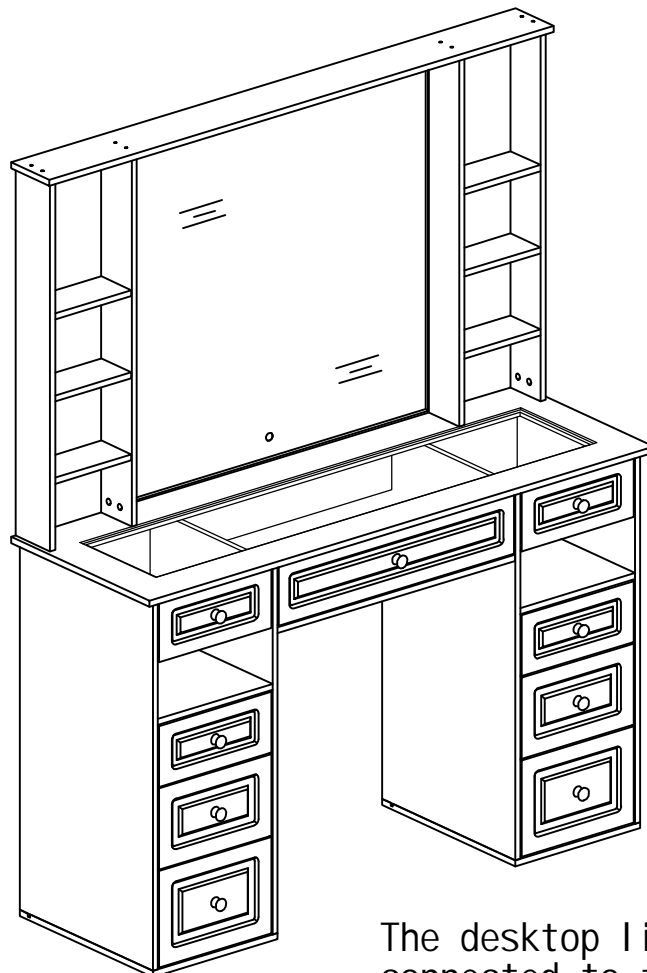
20



21



22



The desktop light strip is connected to the adapter "H".