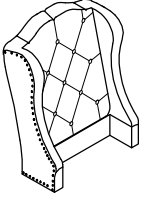


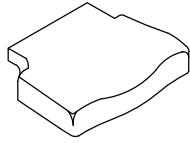
ASSEMBLY INSTRUCTION

WING ARM CHAIR

A Back Cushion **B** Seat Cushion **C** Front Leg **D** Back Leg - LSF **E** Back Leg - RSF



1 pc



1 pc



2 pcs



1 pc



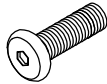
1 pc

F Allen Key
5mm



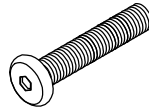
1 pc

G Short Bolt
ø5/16" x 1-1/2"



4 pcs

H Long Bolt
ø5/16" x 2"



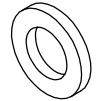
8 pcs

I Lock Washer
ø5/16"

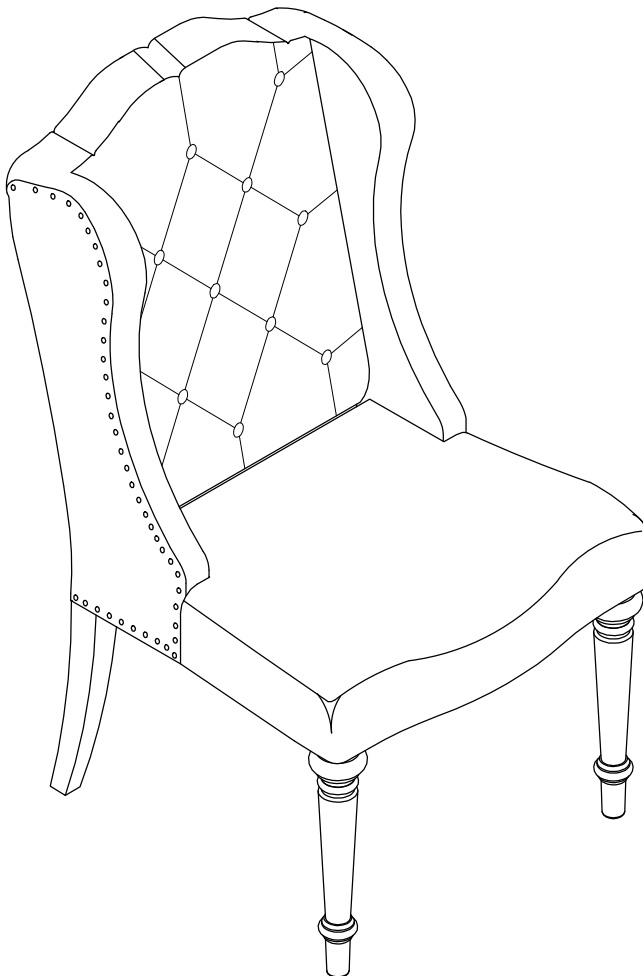


12 pcs

J Flat Washer
ø5/16" x 19mm

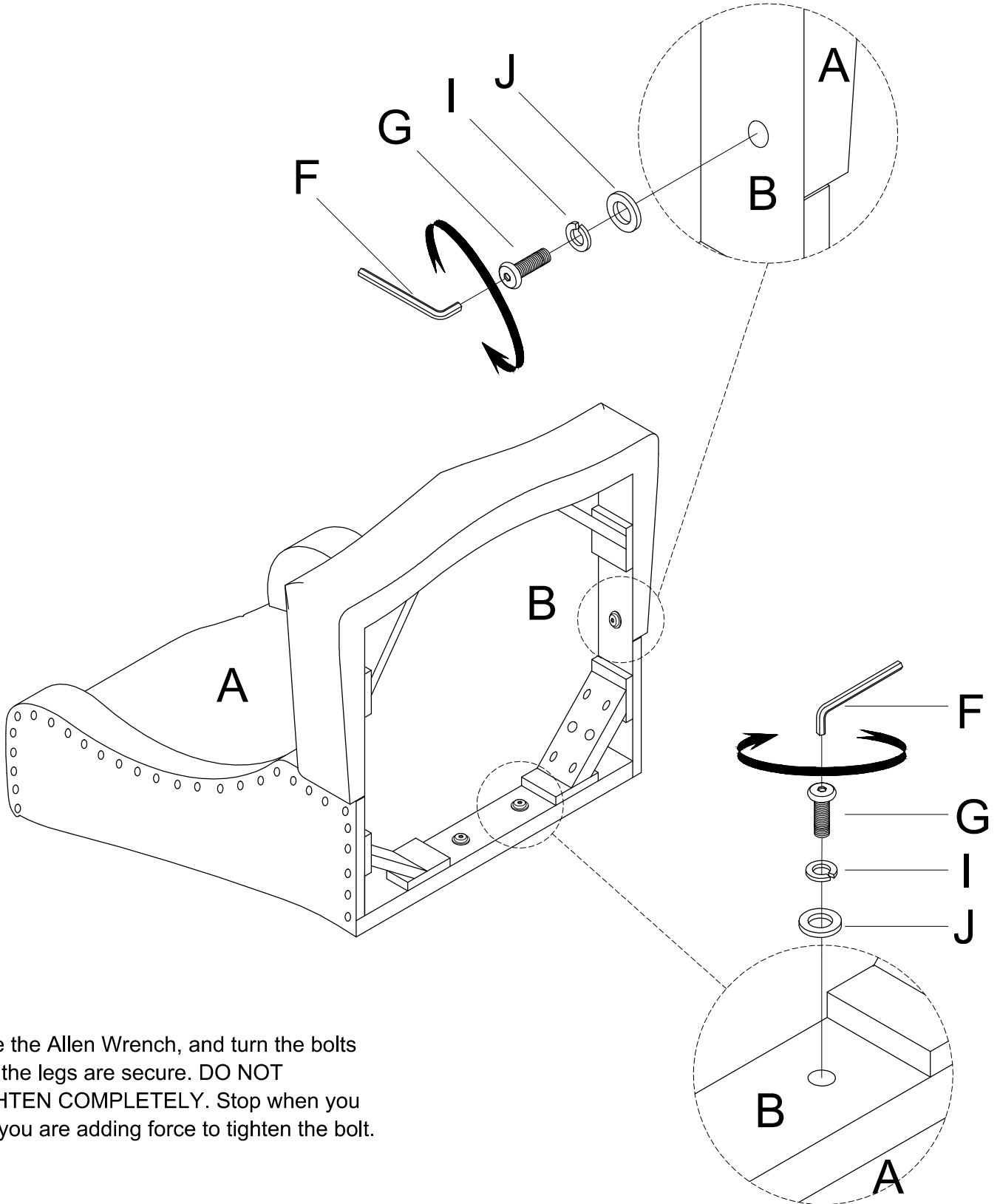


12 pcs



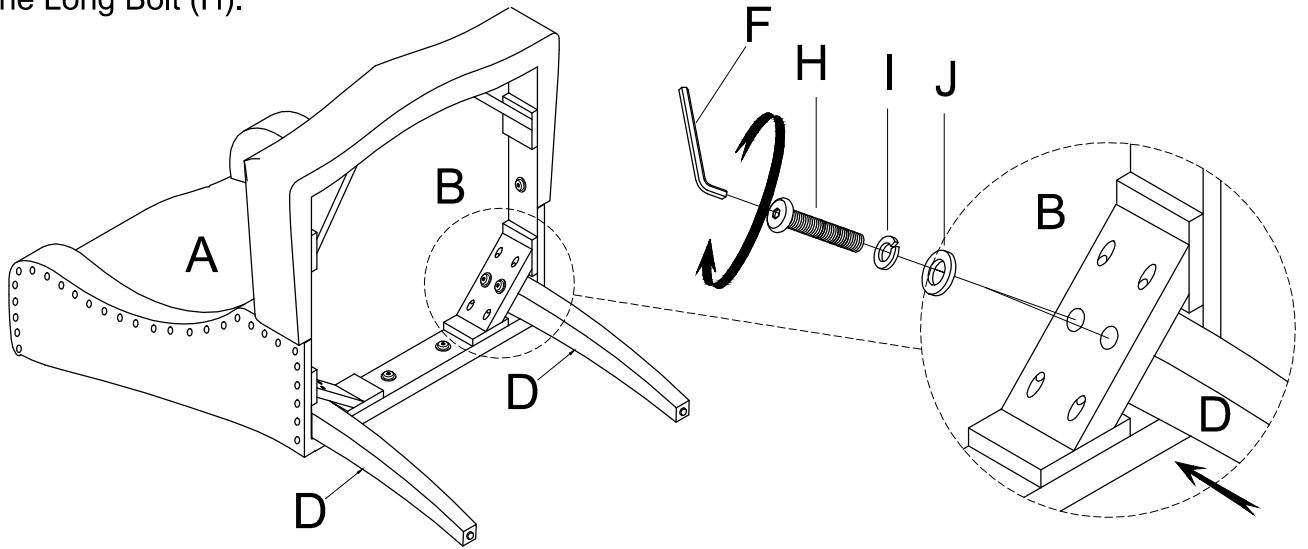
This page lists all the contents included in the box. Please take the time to identify the hardware as well as the individual components to this product. As you unpack and prepare for assembly, place the contents on a carpeted or padded area to protect them from damage.

- 1** Put the Back Cushion (A) on a smooth flat surface, attached the Seat Cushion (B) to the Back Cushion use Short Bolt (G), Lock Washer (I) and Flat Washer (J) on both of holes of Back Cushion (A). Turn the Allen Key (F) in the Short Bolt (G).

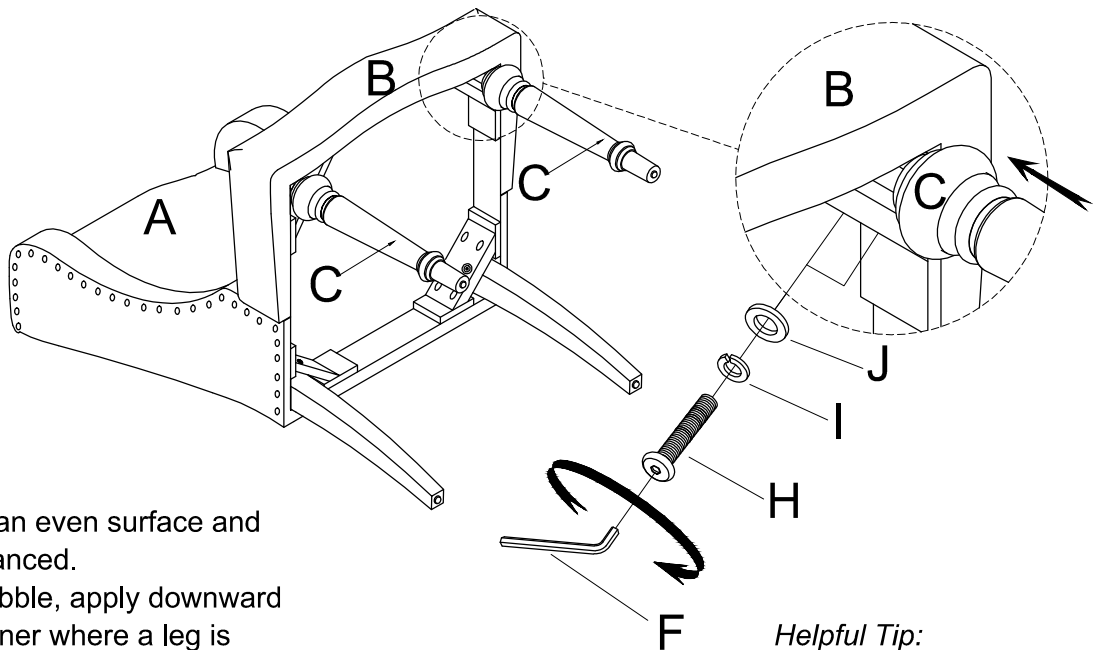


Take the Allen Wrench, and turn the bolts until the legs are secure. **DO NOT TIGHTEN COMPLETELY.** Stop when you feel you are adding force to tighten the bolt.

- 2** Attached the Back Leg - LSF (D) and Back Leg - RSF (E) to the Seat Cushion (B) use Long Bolt (H), Lock Washer (I) and Flat Washer (J) on both of holes of Seat Cushion (B). Turn the Allen Key (F) in the Long Bolt (H).



- 3** Attached the Front Leg (C) to the Seat Cushion (B) use Long Bolt (H), Lock Washer (I) and Flat Washer (J) on both of holes of Seat Cushion (B). Turn the Allen Key (F) in the Long Bolt (H).



Stand chair up on an even surface and check that it is balanced.
 If there is slight wobble, apply downward pressure in the corner where a leg is uneven. Keeping pressure in that corner, tighten all bolts.
 If balanced, apply downward pressure evenly in the center and tighten all bolts.
 Do not over-tighten beyond hole depth.

Helpful Tip:
 -Instead of applying downward pressure while reaching under to tighten bolts, have someone sit in the chair while you tighten the bolts.

Cleaning & Care

Treat surface with care. Surface is resistant to scratches but is not scratch resistant. Clean surface with a dry or damp soft cloth. Do not use abrasive cleaners. Hardware may loosen over time. Periodically check that all connections are tight.