

ASSEMBLY INSTRUCTION

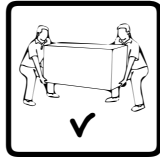
ASSEMBLY TIPS:

- 1.Remove hardware from box and sort by size.
- 2.Please check to see that all hardware and parts are present prior to start of assembly.
- 3.Please follow attached instructions in the same sequence as numbered to assure fast & easy assembly.



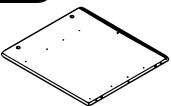
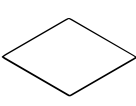
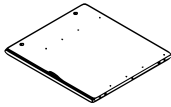
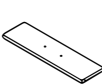
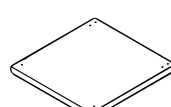
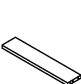
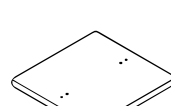
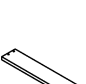
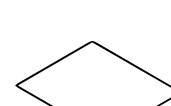

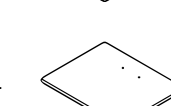

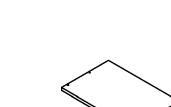
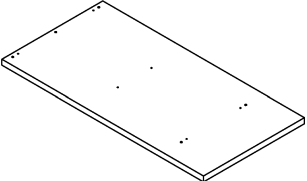
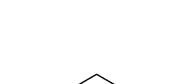
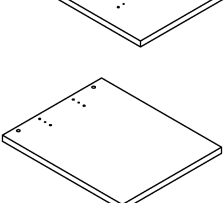

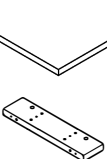
Warning!

- 1.Don't attempt to repair or modify parts that are broken or defective.Please contact the store immediately.
- 2.This product is for home use only and not intended for commercial establishment.

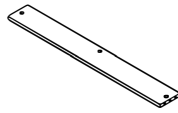


ASSEMBLY TIME PER UNIT: 50 MINUTES

PARTS IDENTIFICATION:

(A) LEFT SIDE PANEL		1PC	(J) DRAWER BOTTOM PANEL		2PCS
(B) RIGHT SIDE PANEL		1PC	(K) SMALL DRAWER FRONT PANEL		1PC
(C) BOTTOM PANEL		1PC	(L) SMALL DRAWER BACK PANEL		1PC
(D) SMALL TOP PANEL		1PC	(M) SMALL LEFT DRAWER SIDE PANEL		1PC
(E) BACK PANEL		1PC	(N) SMALL RIGHT DRAWER SIDE PANEL		1PC
(F) LARGE DRAWER FRONT PANEL		1PC	(O) SMALL CROSS BRACE		1PC
(G) LARGE DRAWER BACK PANEL		1PC	(P) LARGE TOP PANEL		1PC
(H) LARGE LEFT DRAWER SIDE PANEL		1PC	(Q) SIDE PANEL		1PC
(I) LARGE RIGHT DRAWER SIDE PANEL		1PC	(R) DIVIDER PANEL		1PC

(S) LARGE CROSS BRACE

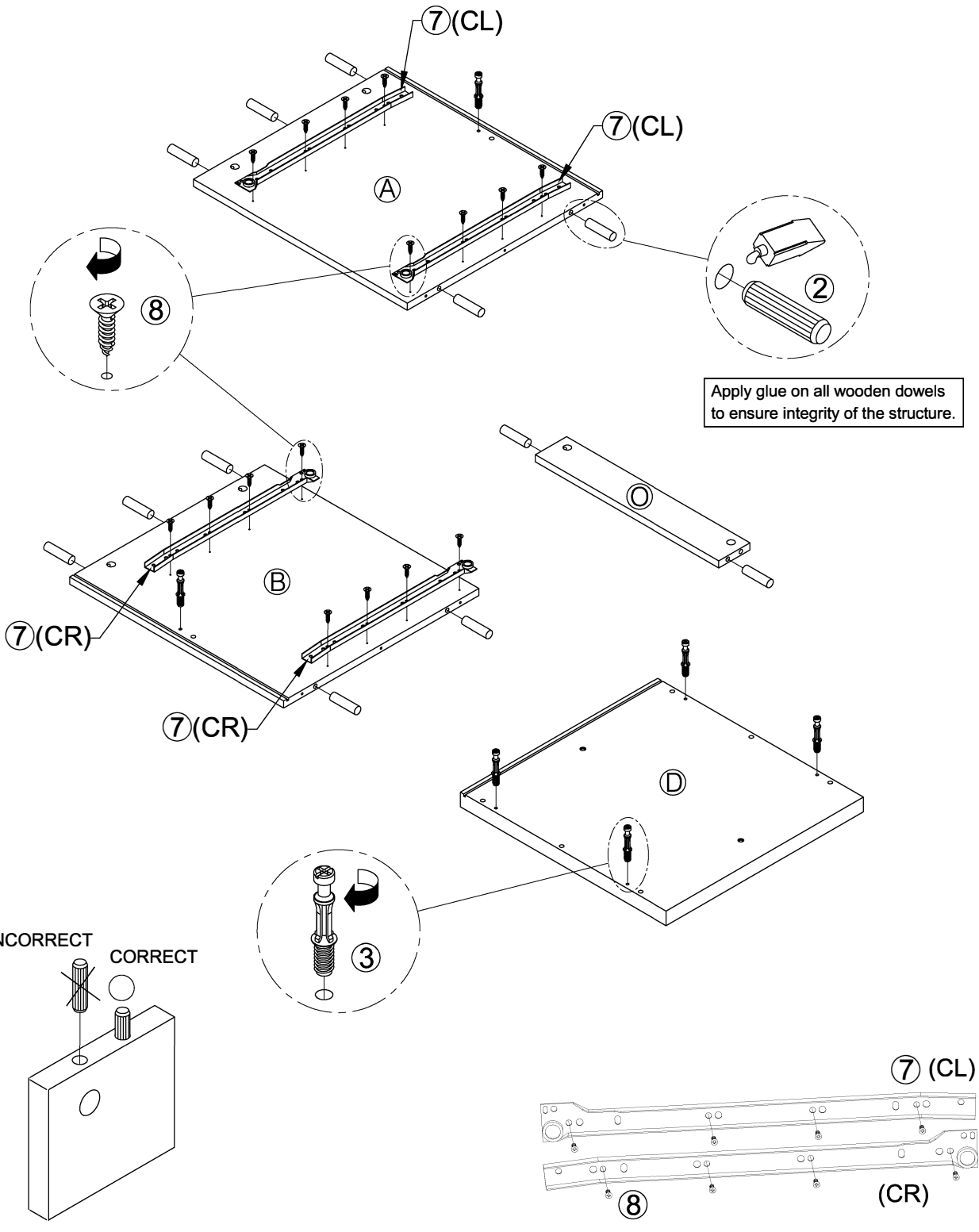
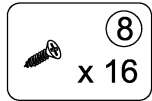
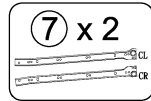
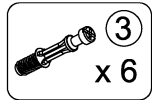
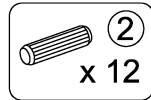


1PC

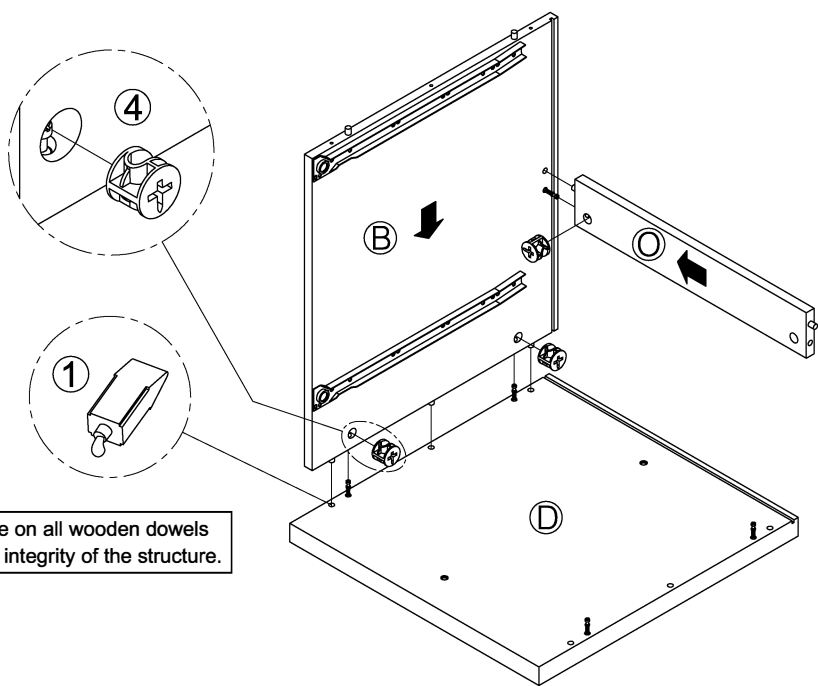
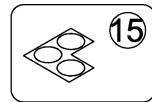
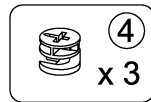
Z							
HARDWARE PACKAGE							
NO	DESCRIPTION	FIGURE	Q'TY	NO	DESCRIPTION	FIGURE	Q'TY
1	GLUE 40g		1PC	9	PLASTIC FEET ϕ 15mm		2PCS
2	WOODEN DOWEL ϕ 8x30mm		29PCS	10	HANDLE L=120mm		2PCS
3	CAM BOLT ϕ 7x35.5mm		17PCS	11	HANDLE BOLT ϕ 4x20mm		4PCS
4	CAM LOCK ϕ 15x12mm		17PCS	12	FOOT 50x50x18mm		4PCS
5	BOLT ϕ 9.5x55mm		8PCS	13	SCREW ϕ 5x22.5mm FOR FOOT		8PCS
6	SCREW ϕ 4.3x35mm FOR DRAWER		8PCS	14	IRON BAR ϕ 4.8x405mm		2PCS
7	RAIL L = 400mm		2SET	15	STICKER ϕ 20mm		4PCS
8	SCREW FOR RAIL ϕ 3x10mm		28PCS				

Z7,Z10,Z11,Z12,Z14 not included in blister packaging.

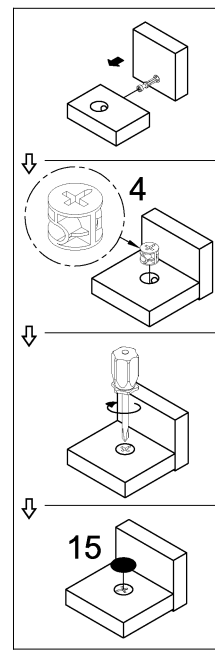
STEP 1 :



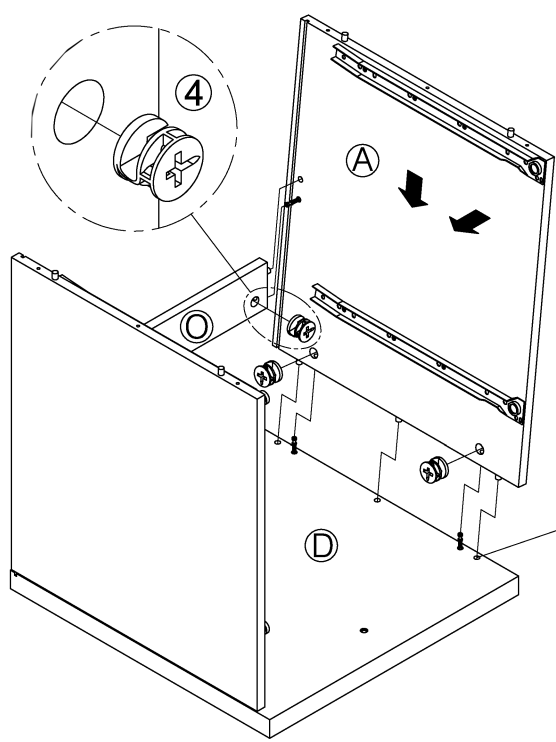
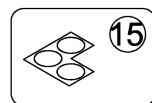
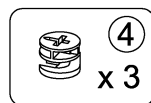
STEP 2 :



Apply glue on all wooden dowels to ensure integrity of the structure.

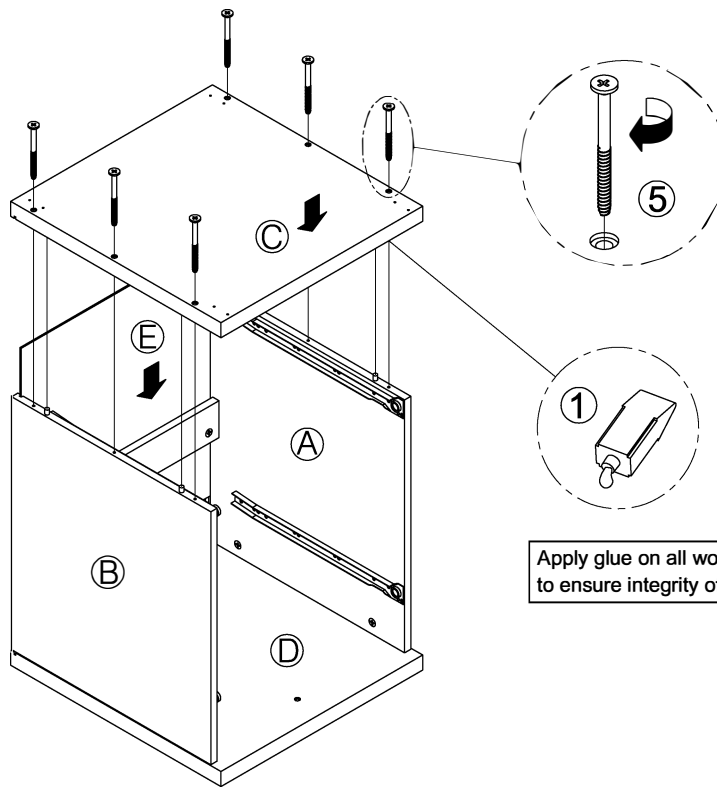
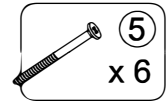


STEP 3 :



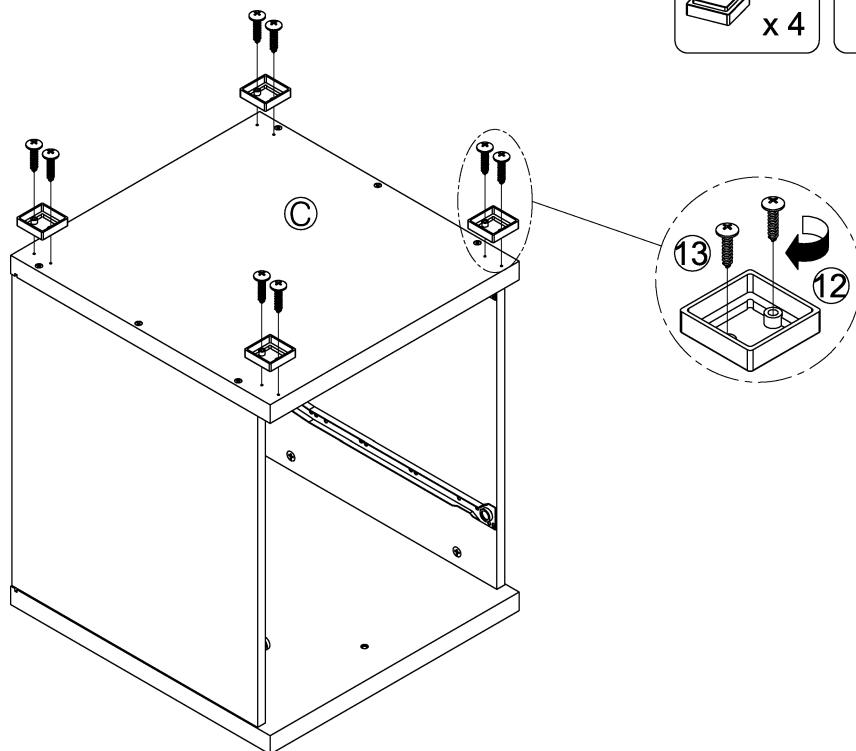
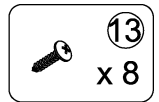
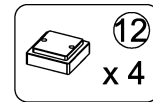
Apply glue on all wooden dowels to ensure integrity of the structure.

STEP 4 :

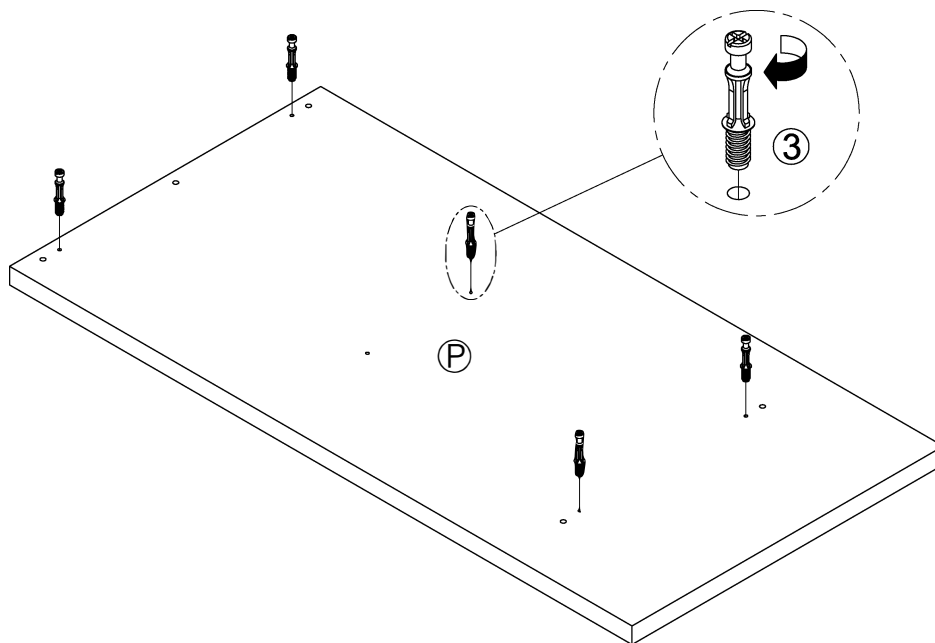
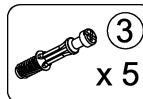


Apply glue on all wooden dowels
to ensure integrity of the structure.

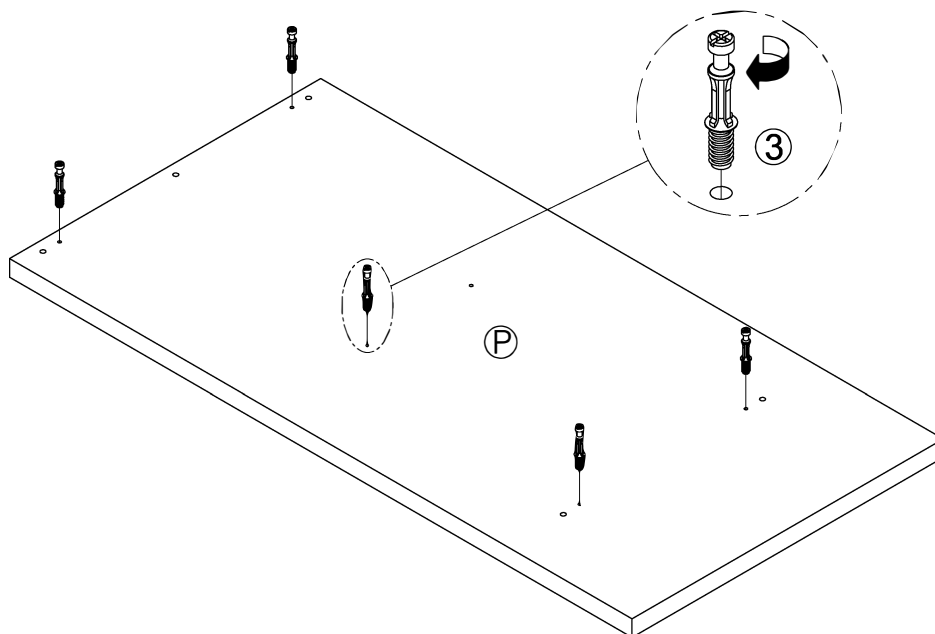
STEP 5 :



STEP 6 :
(LEFT)

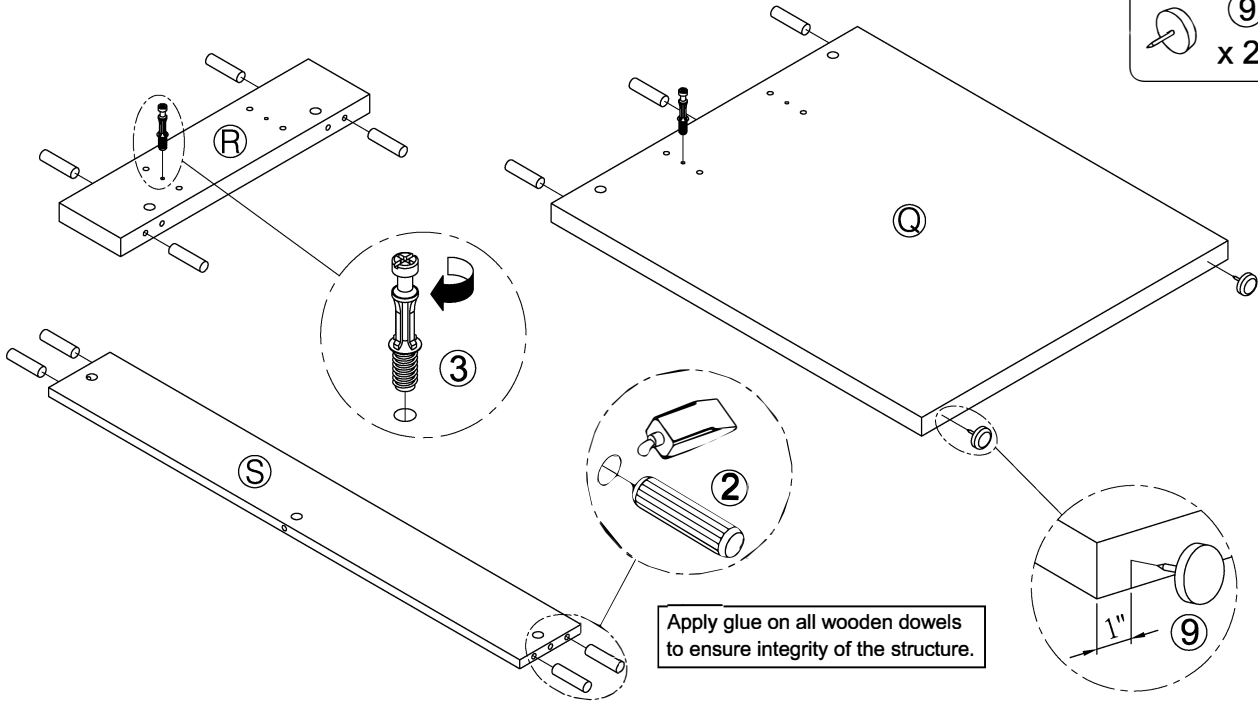
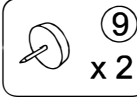
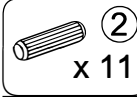


STEP 6 :
(RIGHT)



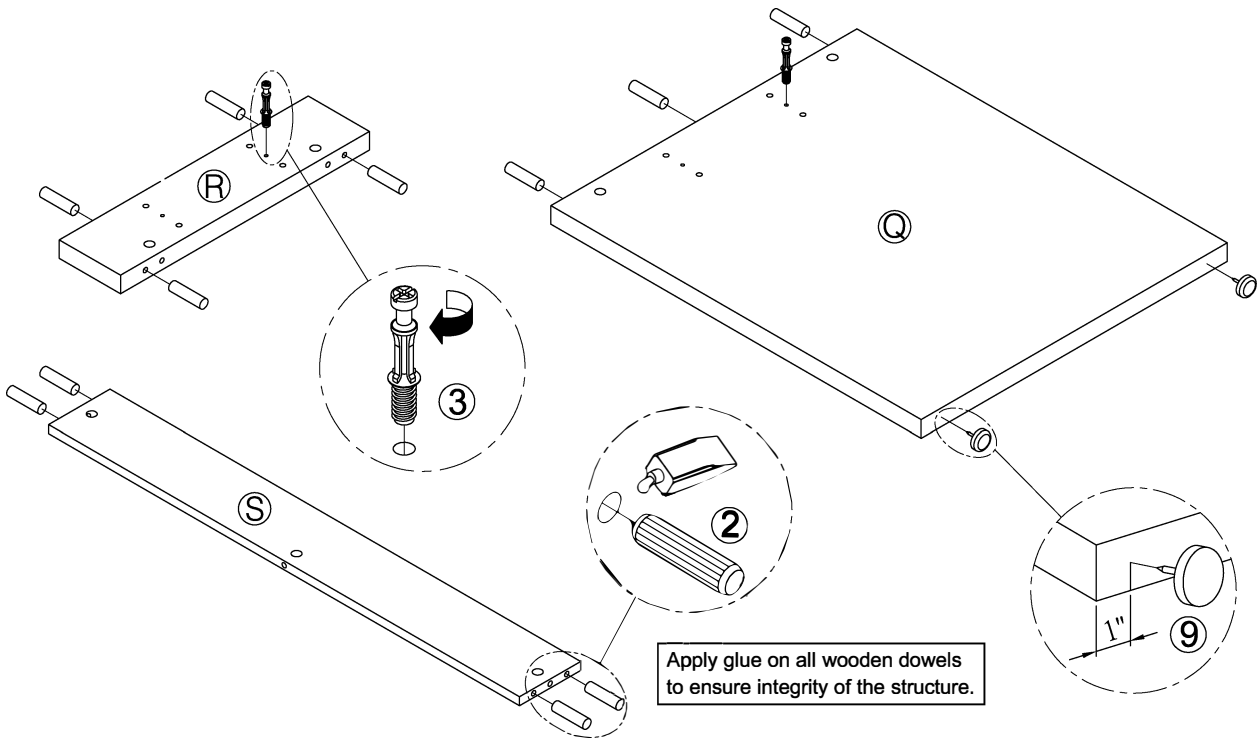
STEP 7 :

(LEFT)



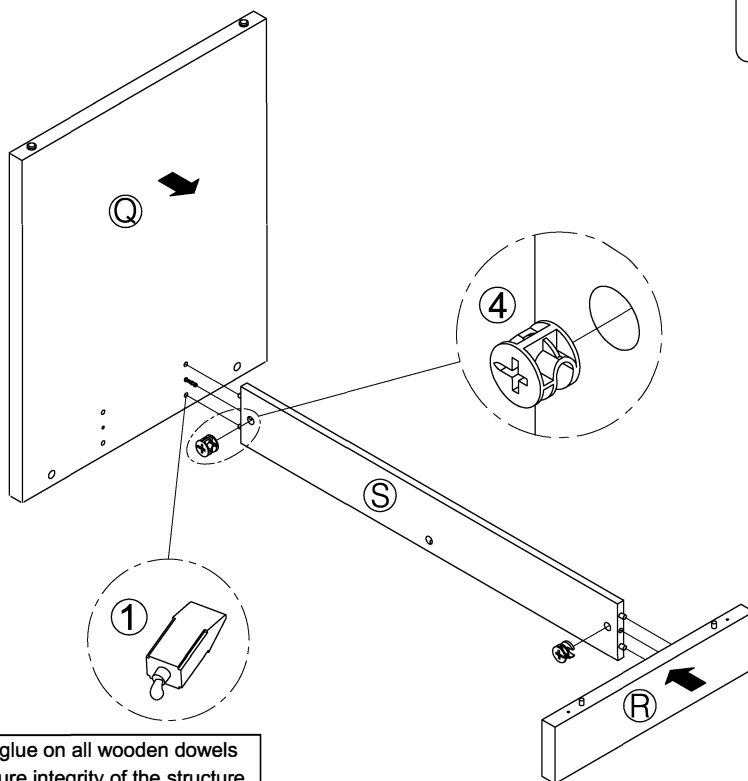
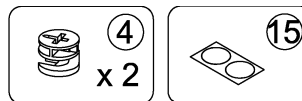
STEP 7 :

(RIGHT)

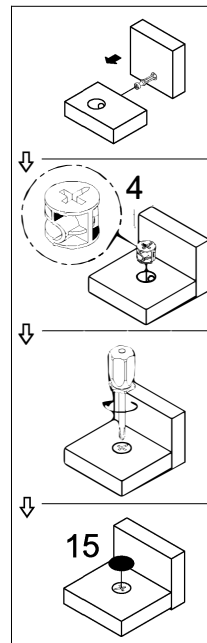


STEP 8 :

(LEFT)

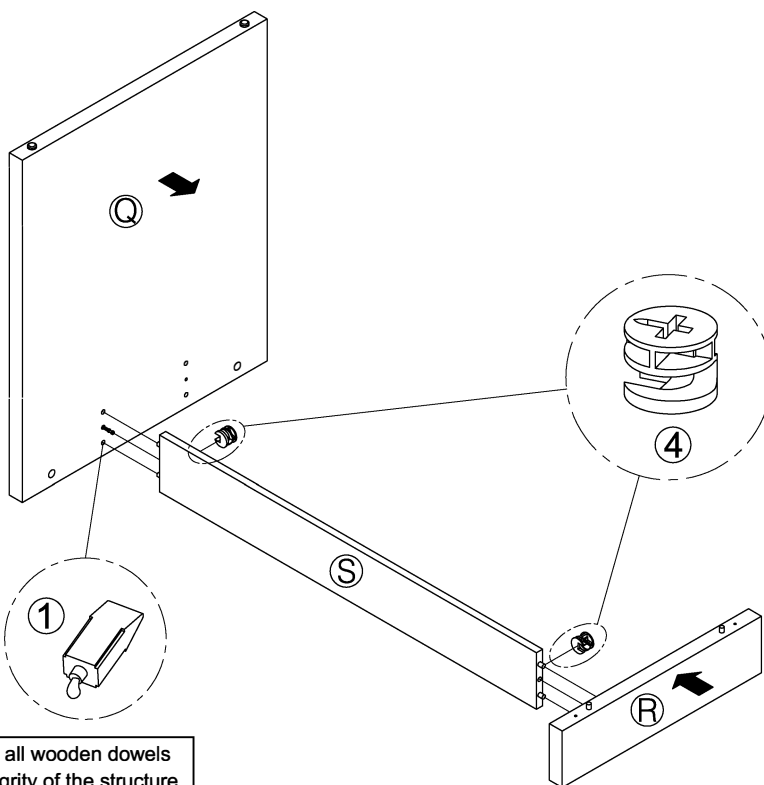


Apply glue on all wooden dowels to ensure integrity of the structure.



STEP 8 :

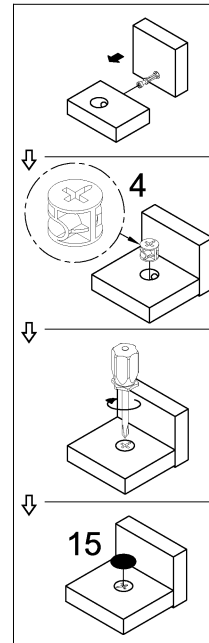
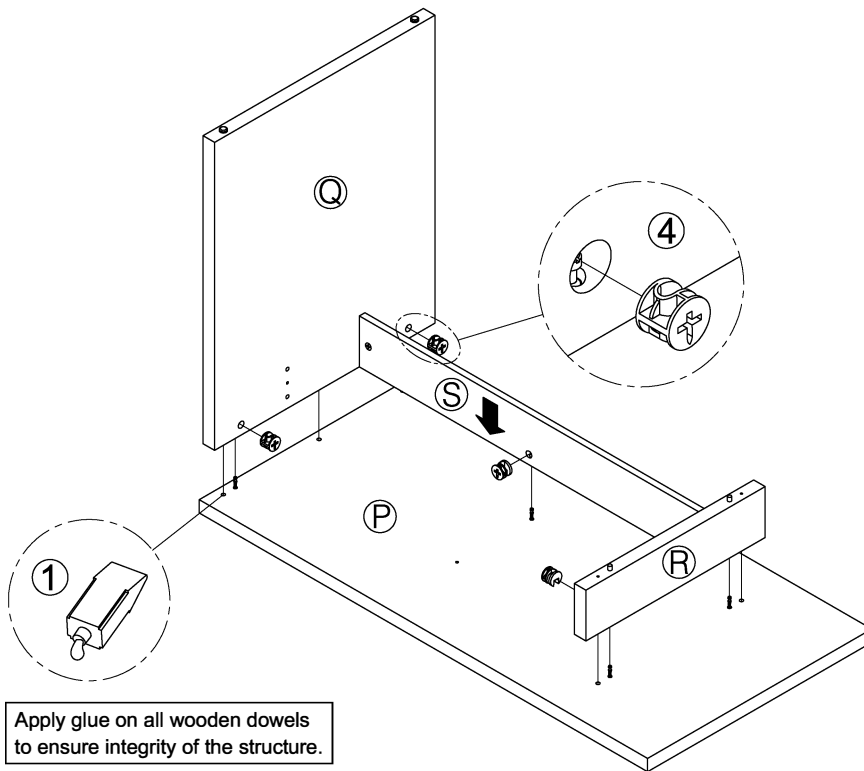
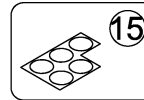
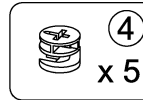
(RIGHT)



Apply glue on all wooden dowels to ensure integrity of the structure.

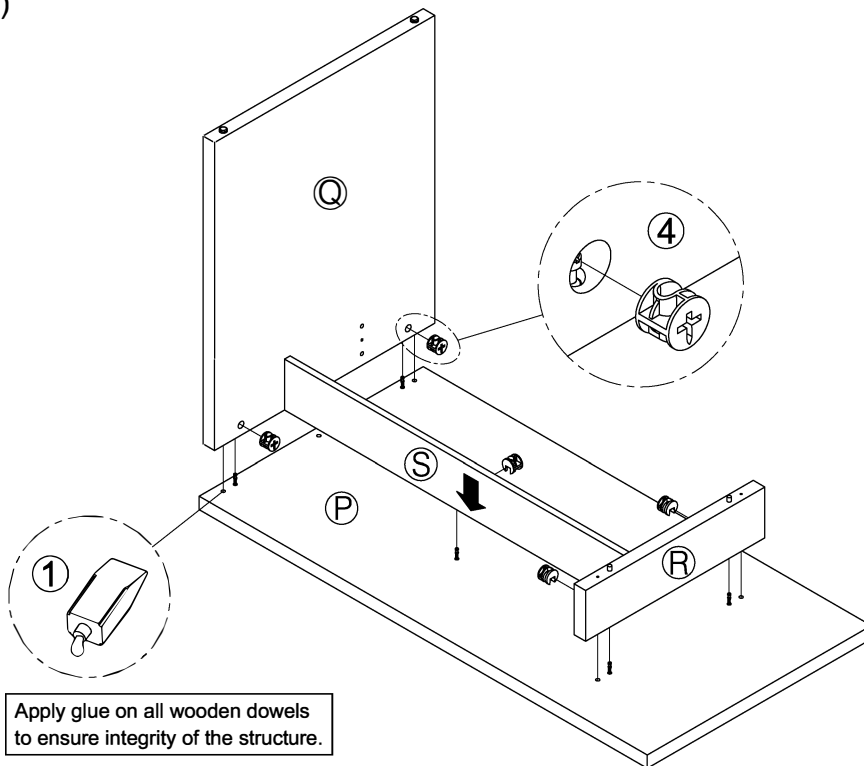
STEP 9 :

(LEFT)



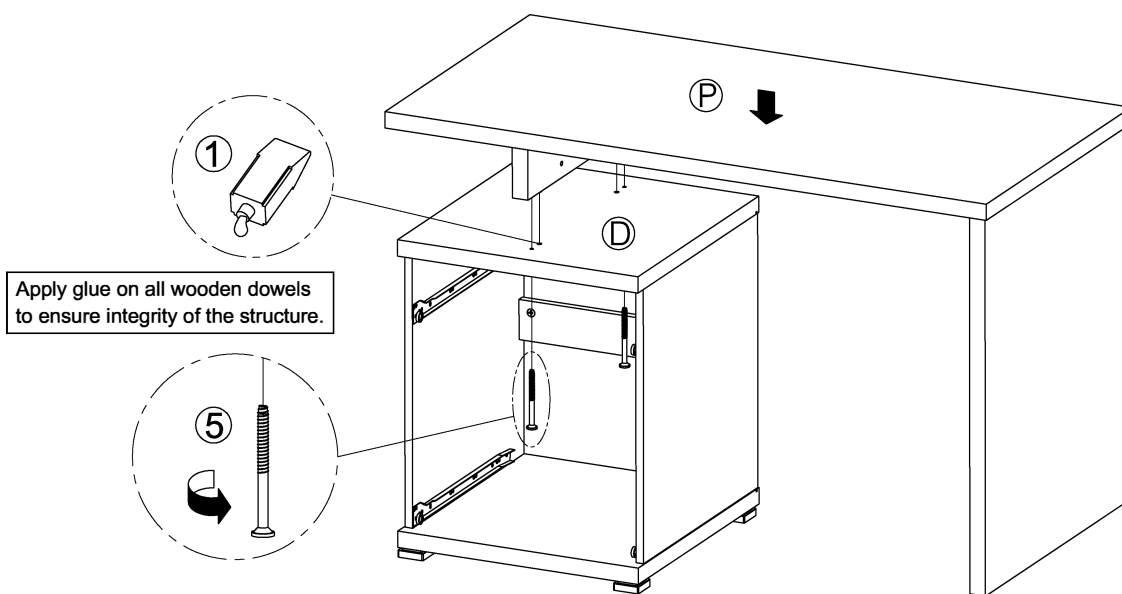
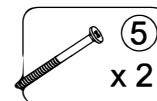
STEP 9 :

(RIGHT)



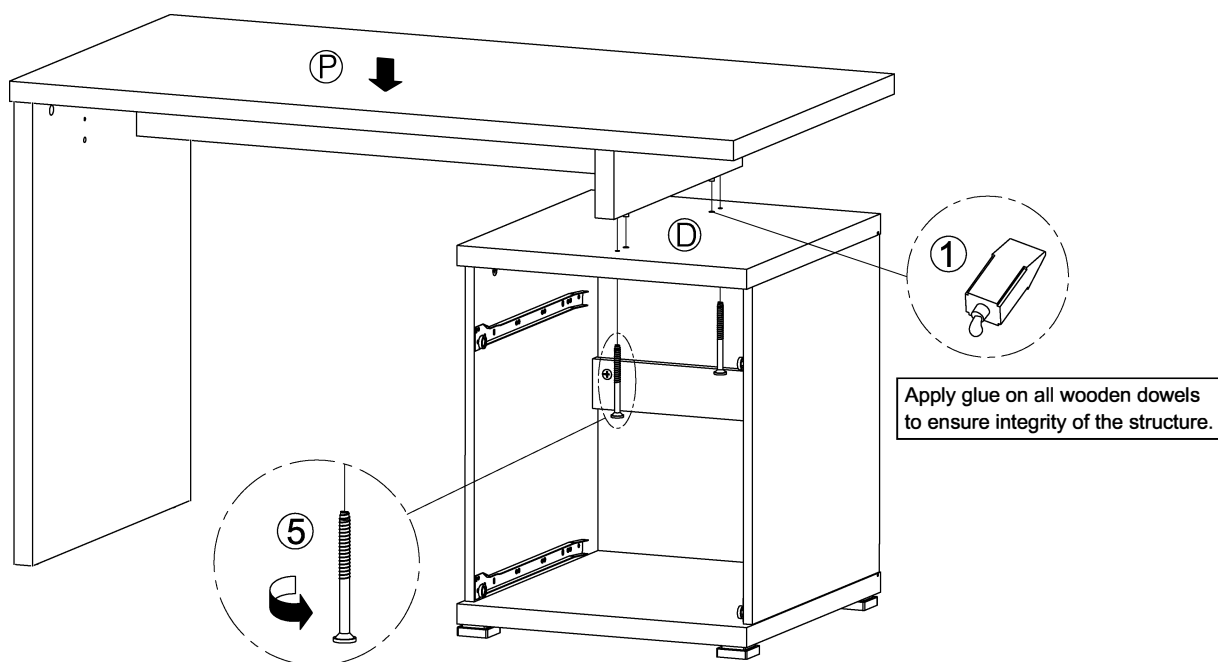
STEP 10 :

(LEFT)

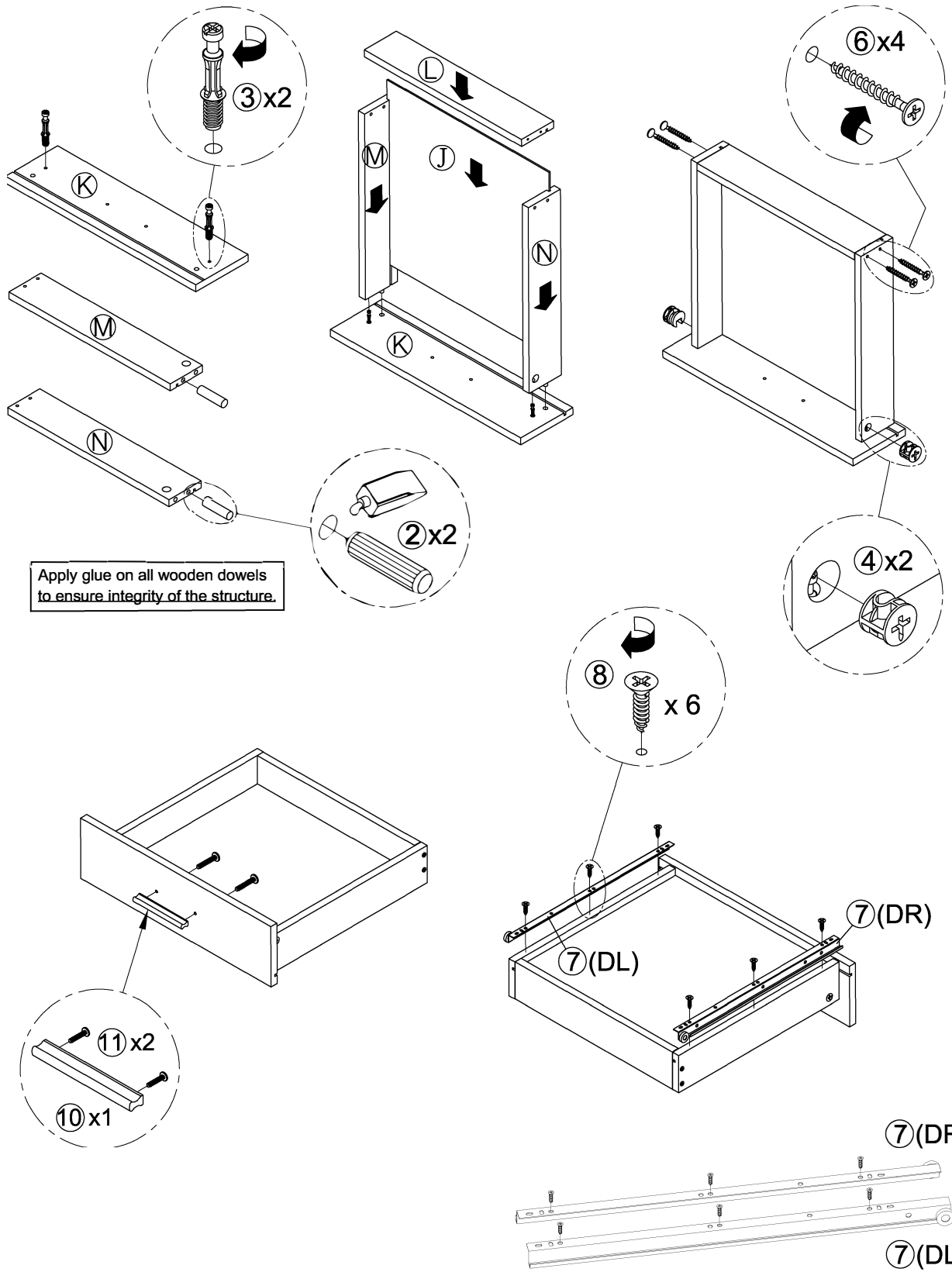


STEP 10 :

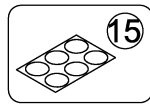
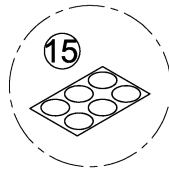
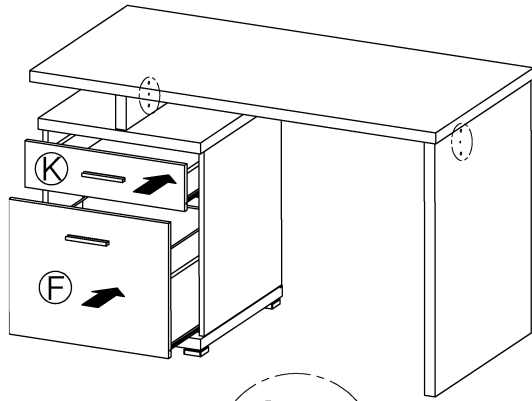
(RIGHT)



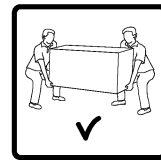
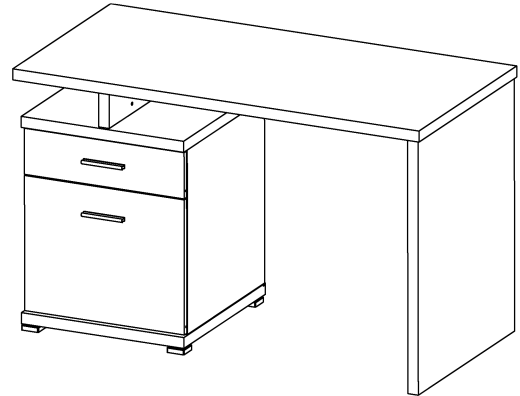
STEP 12 :



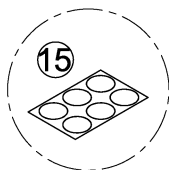
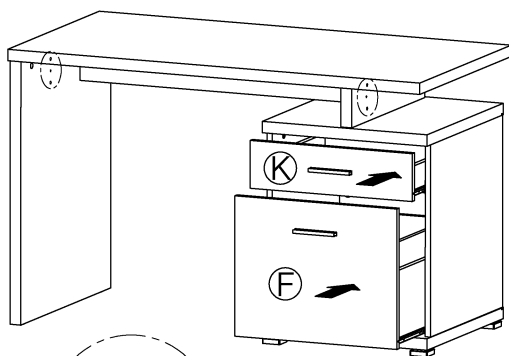
STEP 13 :
(LEFT)



FINISH
(LEFT)



STEP 13 :
(RIGHT)



FINISH
(RIGHT)

