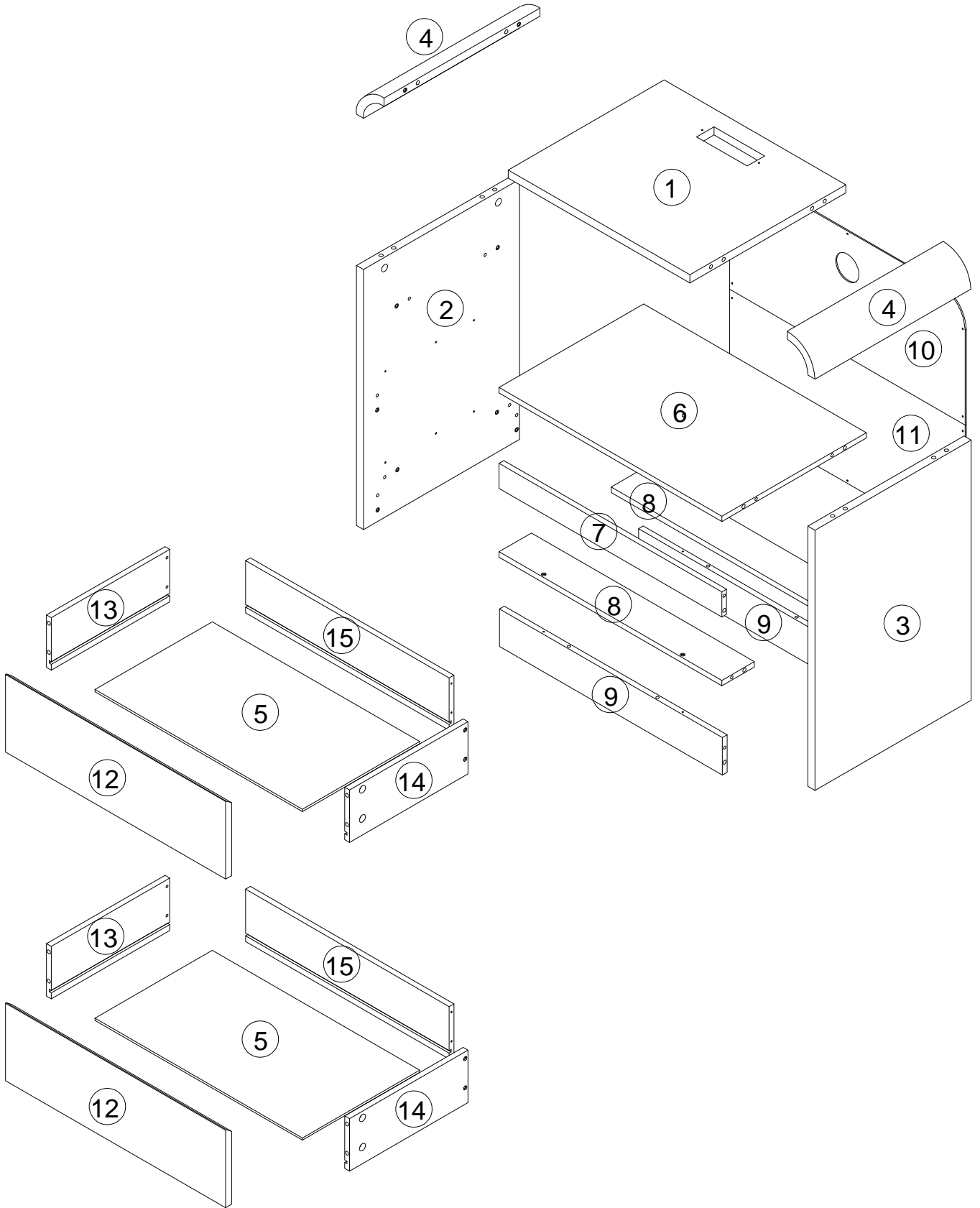

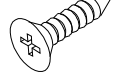
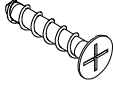

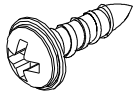
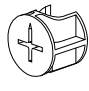
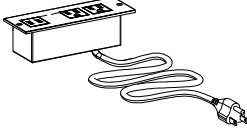
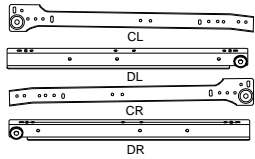
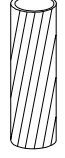
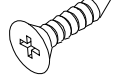


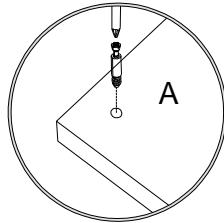
# ASSEMBLY INSTRUCTIONS



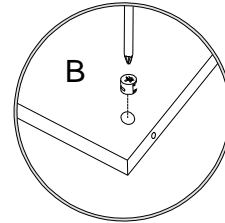


CODE	DESCRIPTION	QTY
1	Top Panel	1
2	Left Side Panel	1
3	Right Side Panel	1
4	Bent Wood Board	2
5	Drawer Bottom Panel	2
6	Middle Plate	1
7	Front Slat	1
8	Bottom Crossbar	2
9	Bottom Vertical Panel	2
10	Upper Back Panel	1
11	Lower Back Panel	1
12	Drawer Top Panel	2
13	Drawer Left Side Panel	2
14	Drawer Right Side Panel	2
15	Drawer Back Panel	2

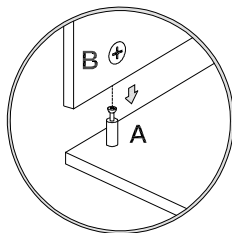
<p>Ø6X30MM</p>  <p><b>A</b> 18X+2</p>	<p>Ø3X12MM</p>  <p><b>B</b> 20X+2</p>	<p>Ø4X35MM</p>  <p><b>C</b> 12X+1</p>	 <p><b>D</b> 30X+2</p>
<p>Ø3X12MM</p>  <p><b>F</b> 14X+1</p>	<p>Ø15X10MM</p>  <p><b>G</b> 30X+2</p>	 <p><b>H</b> 1X</p>	 <p><b>L</b> 2X</p>
<p>Ø8X30MM</p>  <p><b>M</b> 8X+1</p>	<p>Ø3X12MM</p>  <p><b>Q</b> 2X</p>		



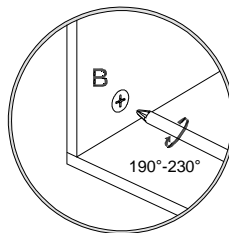
1. Screw cam bolt into panel



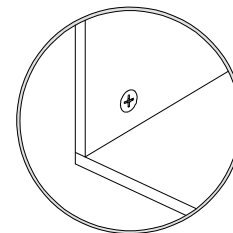
2. Push cam into panel - arrow feature on cam top points to panel edge



3. Align cam bolt(s) with cam(s) and insert all the way into cross-bored hole(s)

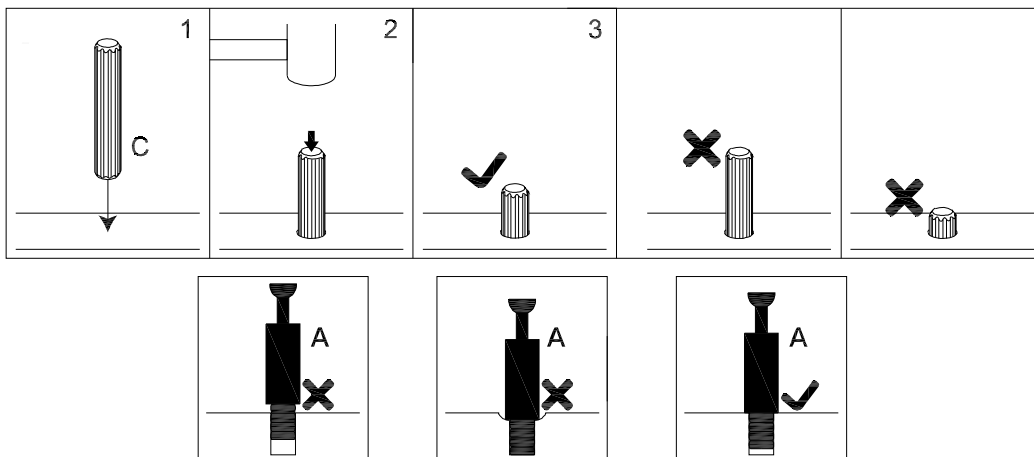


4. Rotate cam(s) clockwise 190°-230° to lock panels together



5. Panels should be tight against each other and connection should be rigid

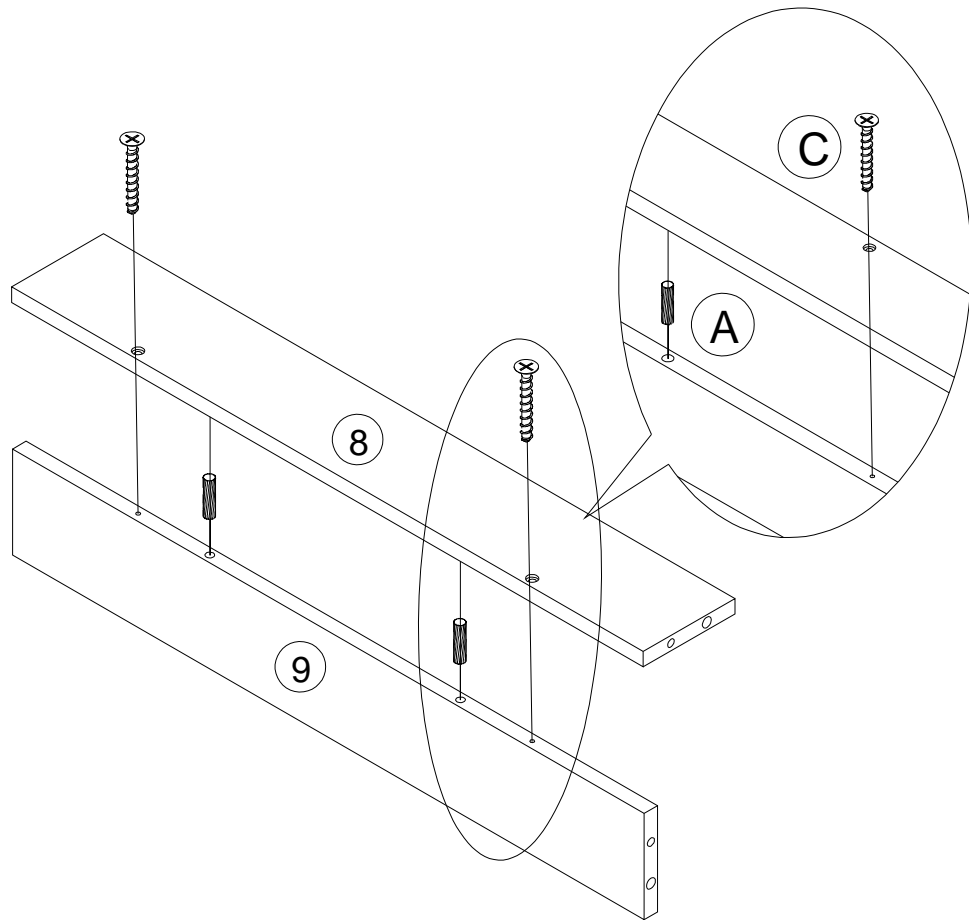
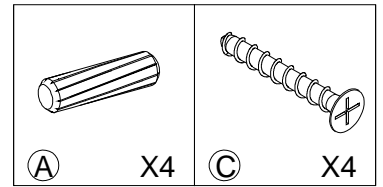
Insert the wood dowel [C] at least half way by tapping lightly with a rubber mallet, IF NECESSARY.



### ⚠ WARNING

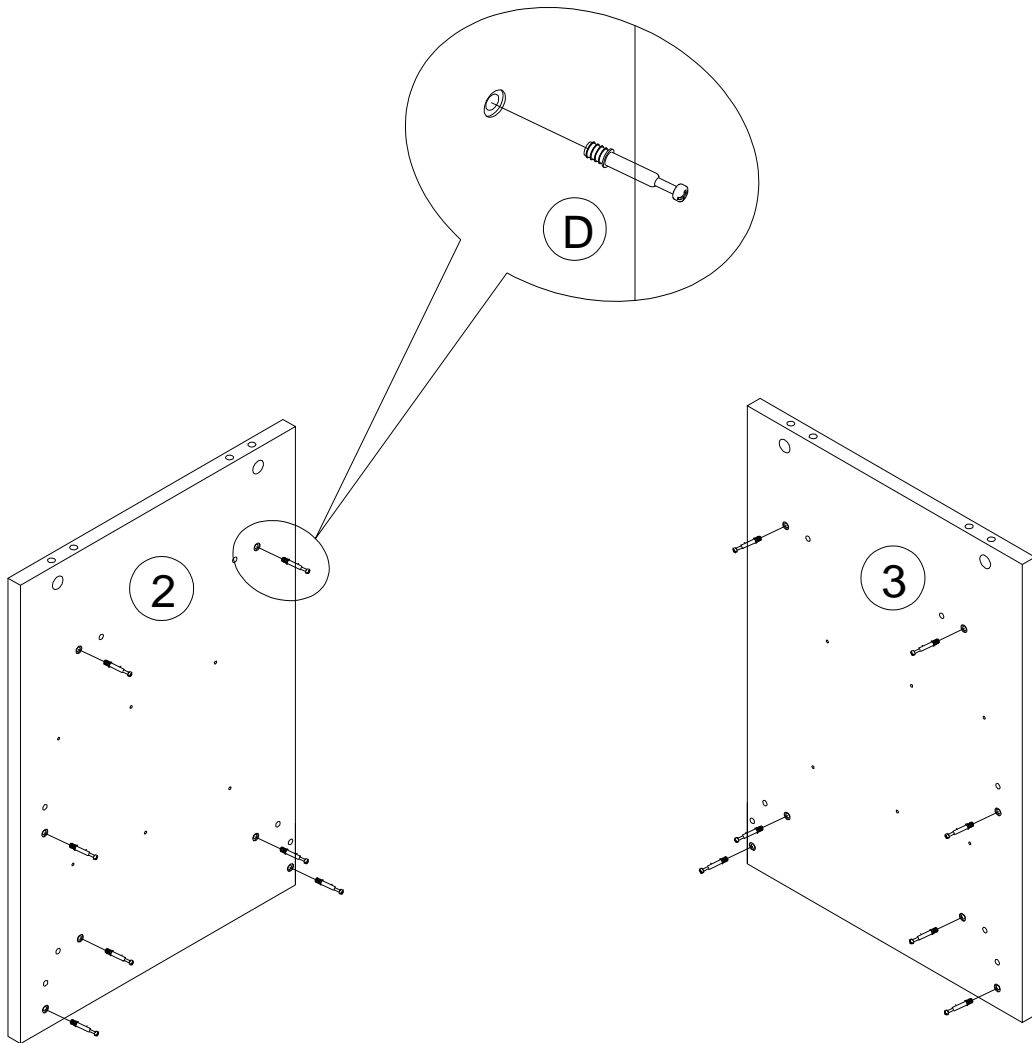
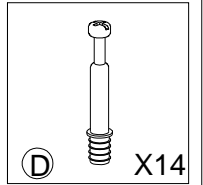
- Unit must be placed on a level surface or leveled with included hardware (when applicable).
- Do not sit or stand on or allow children to climb, sit or stand on the assembled product.
- For safety reasons, it is imperative that this unit be mounted to the wall.
- Do not use without installing the tip restraint.
- Unit can tip over causing severe injury or death.
- Do not exceed the recommended weight limits.
- Evenly distribute the weight on each level and always keep the heavier loads on the bottom.
- Before cutting, drilling or hammering into any wall or floor surface, verify the location of electrical, plumbing and gas lines. Cutting may cause serious injury.

# STEP 1

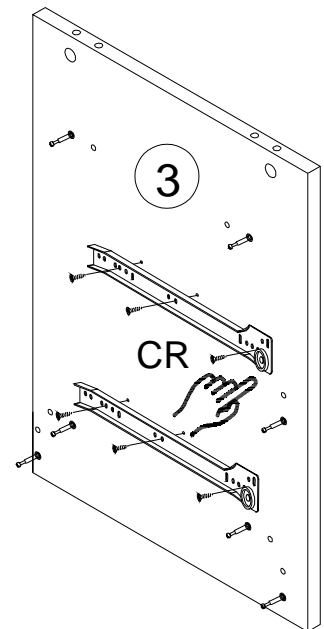
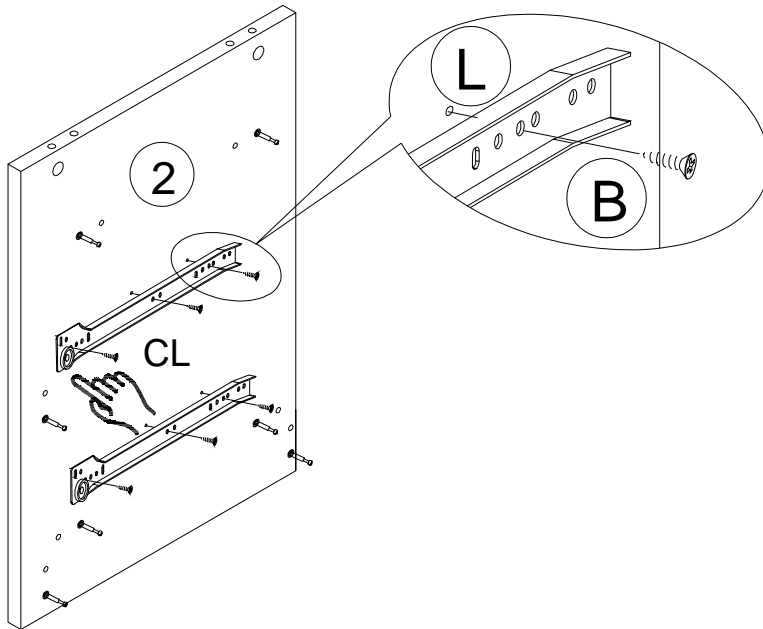
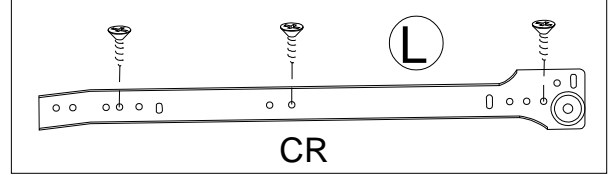
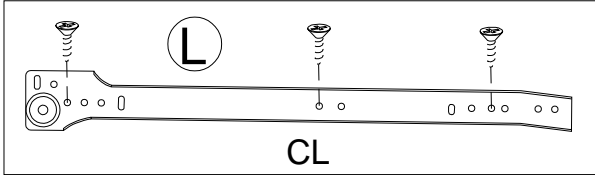
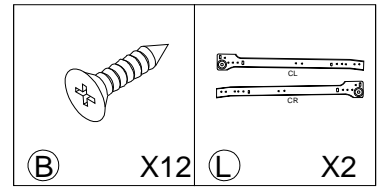


**X2**

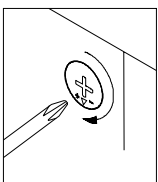
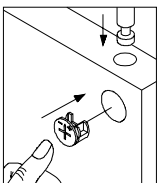
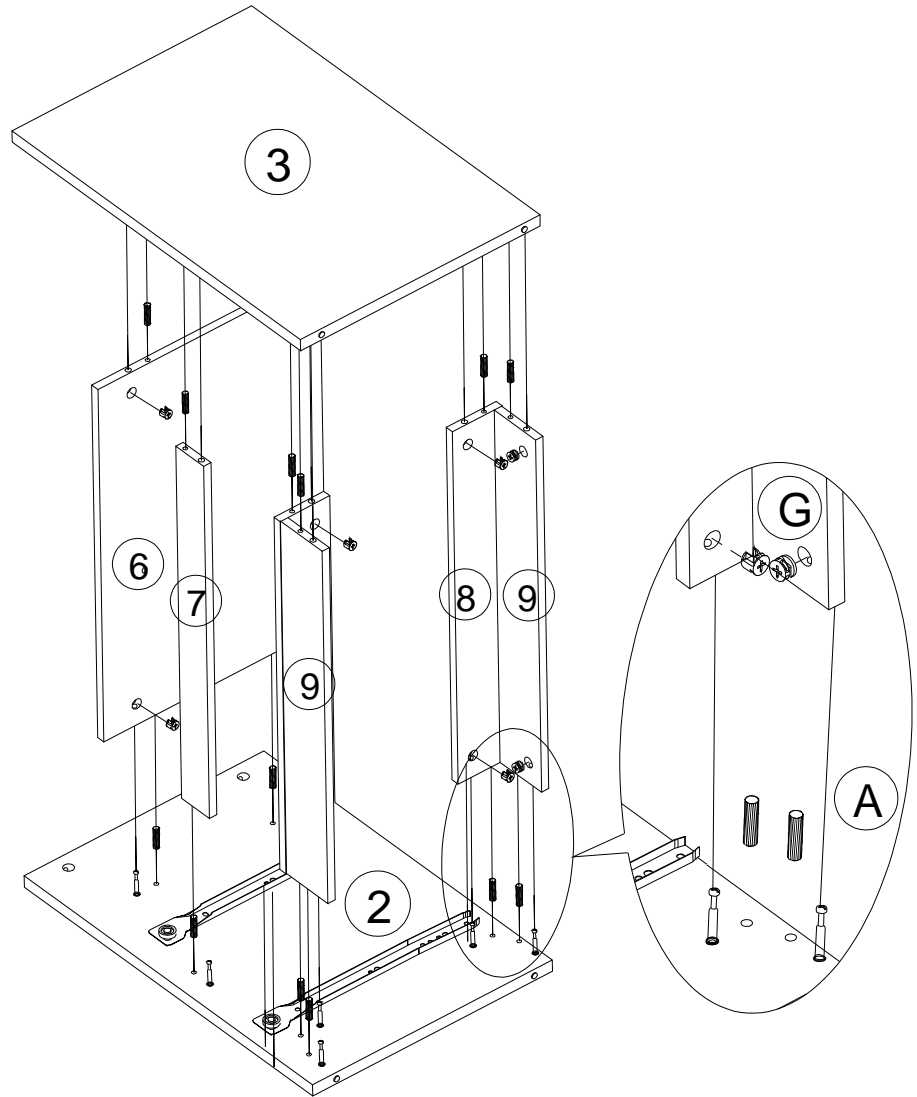
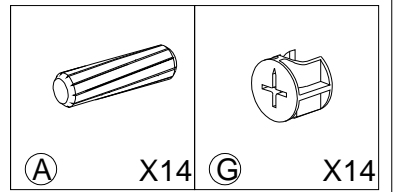
# STEP 2



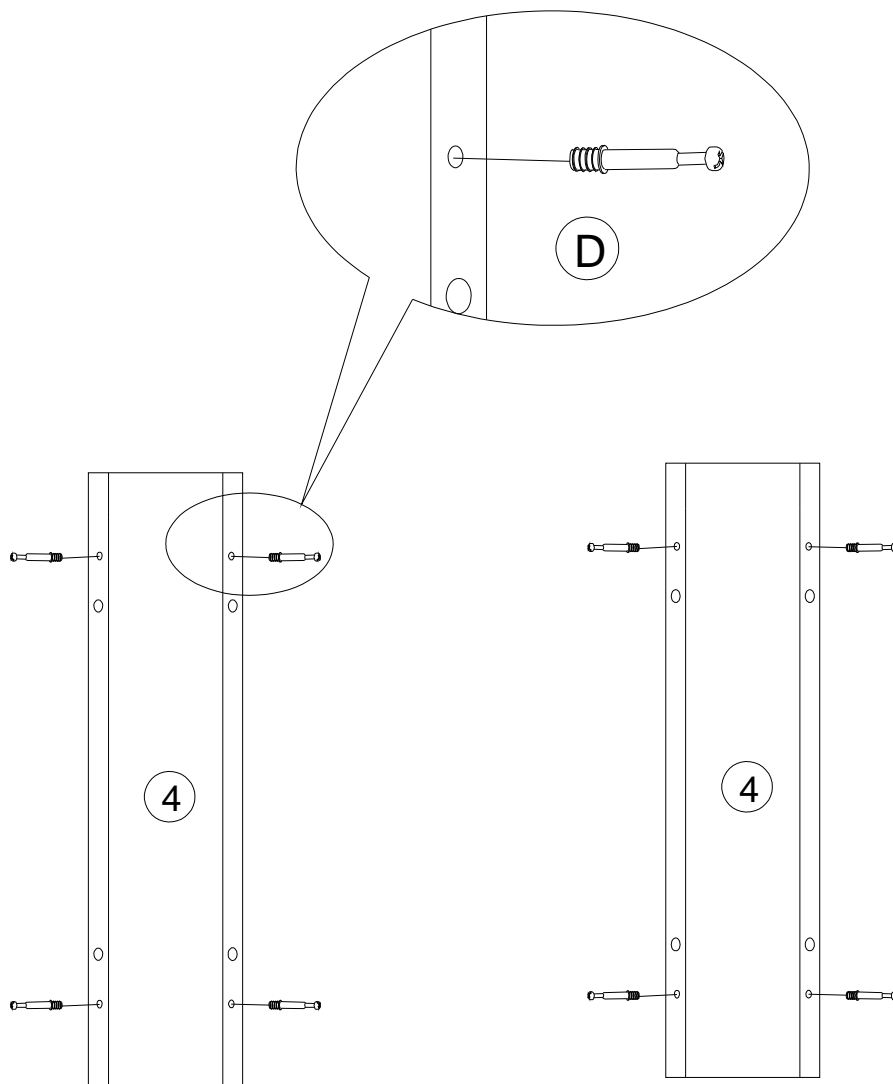
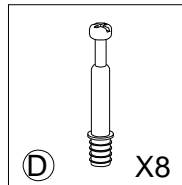
# STEP 3



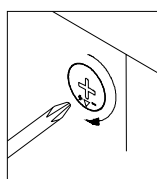
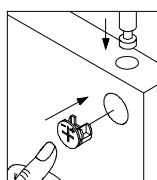
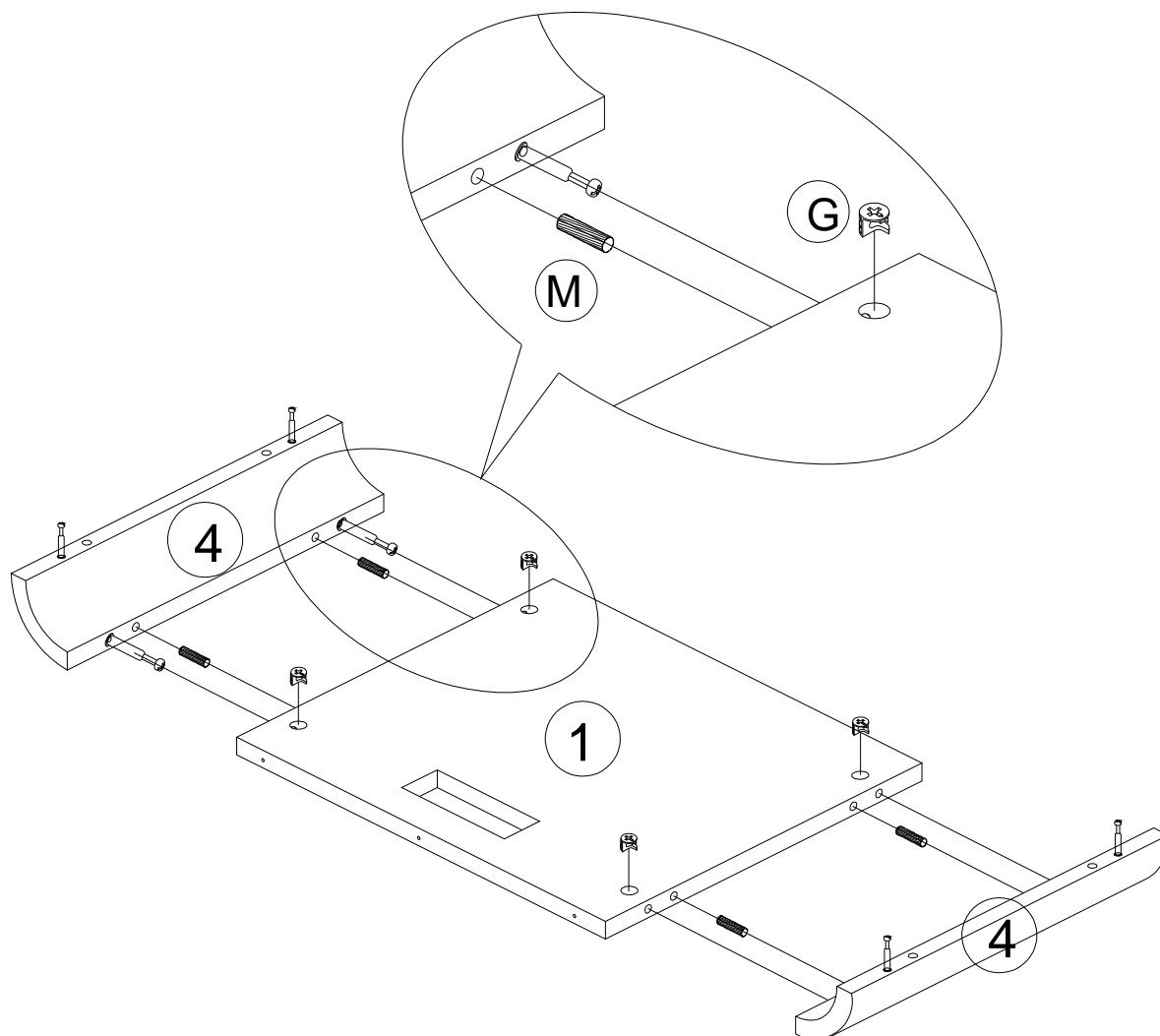
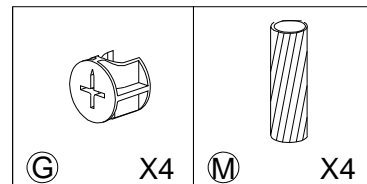
# STEP 4



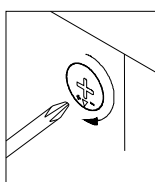
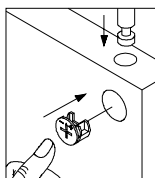
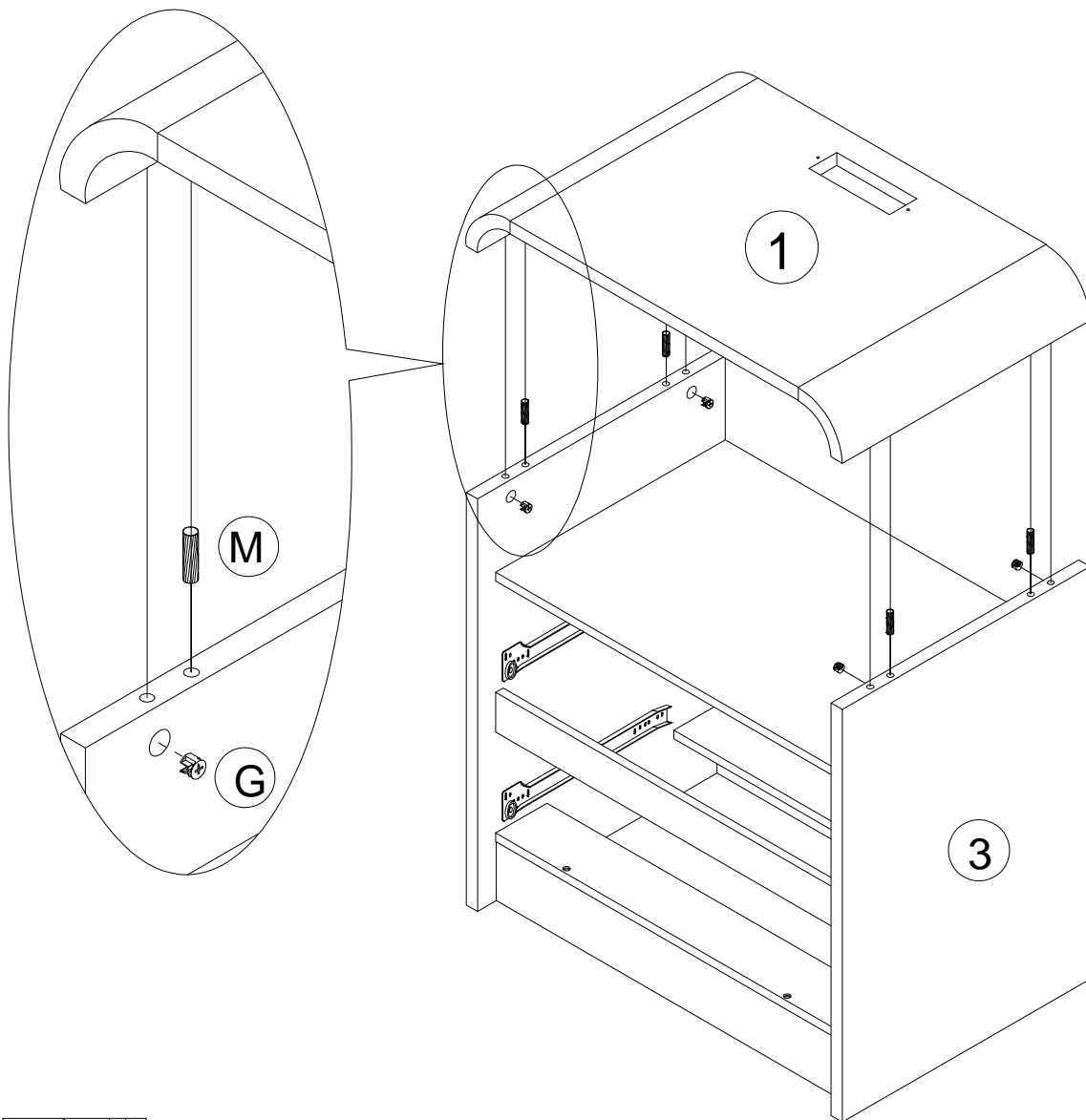
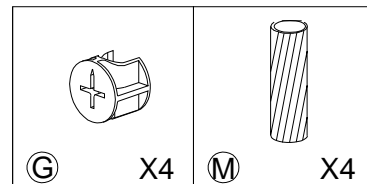
# STEP 5



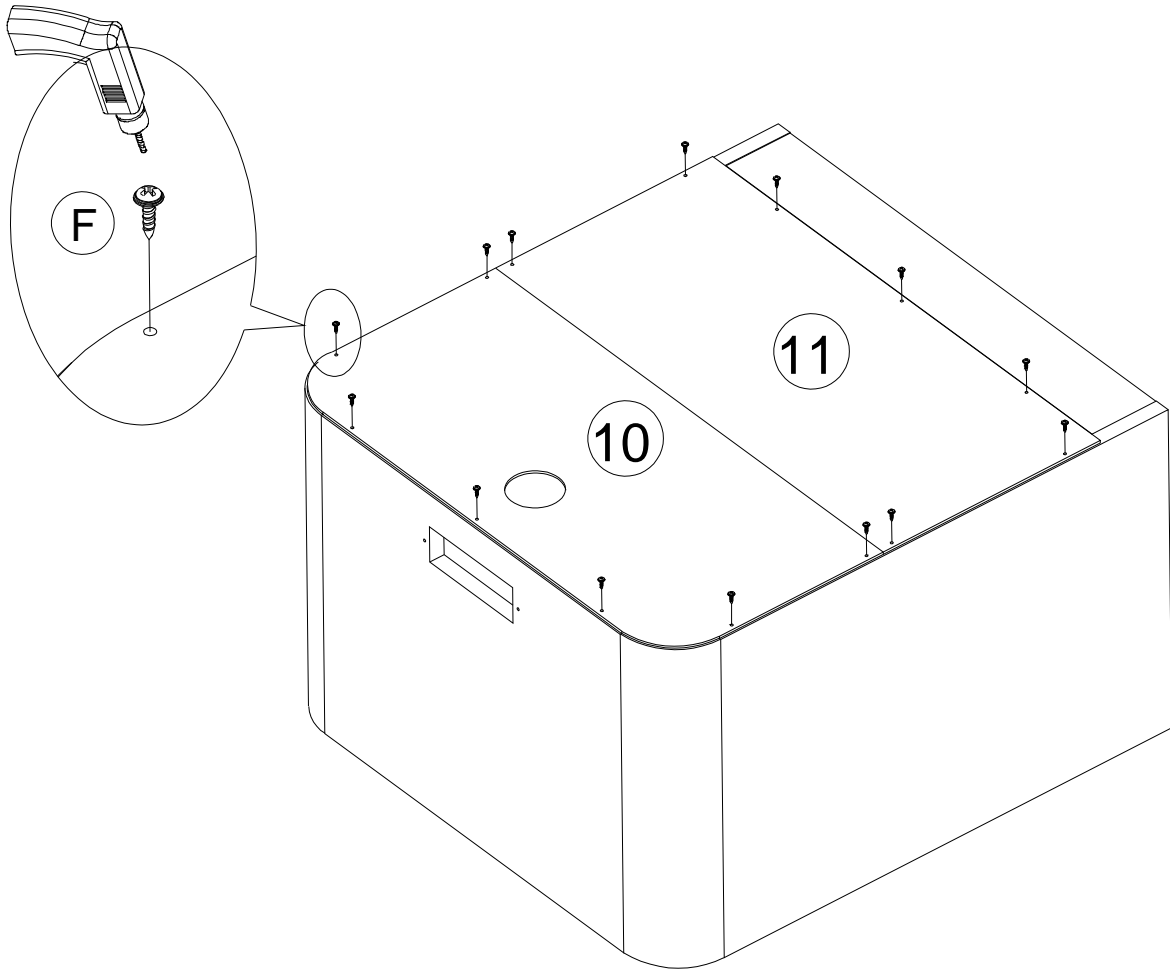
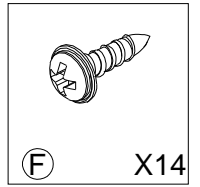
# STEP 6



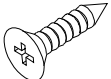
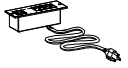
# STEP 7

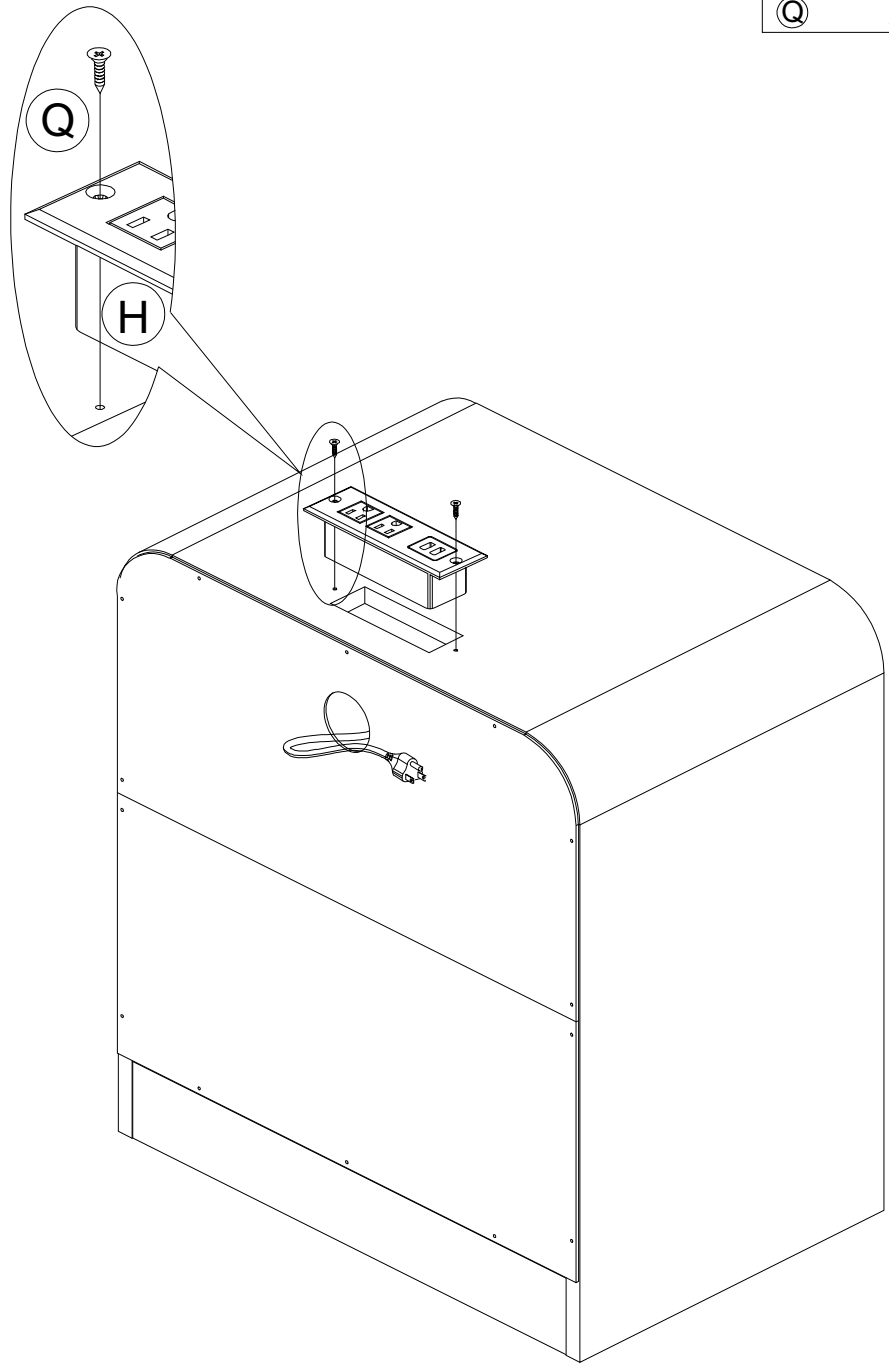


# STEP 8

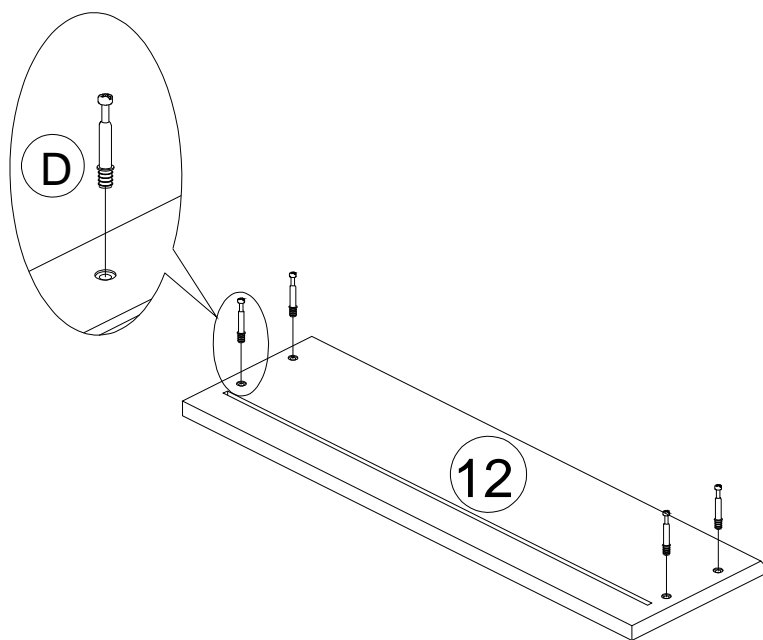
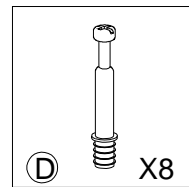


# STEP 9

	
Q	X2
H	X1

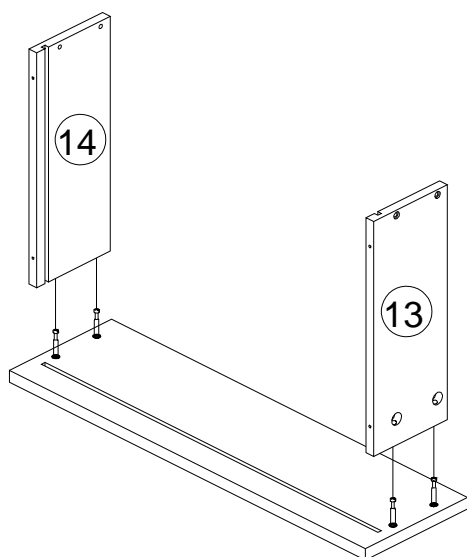


# STEP 10



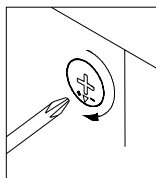
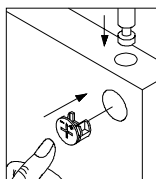
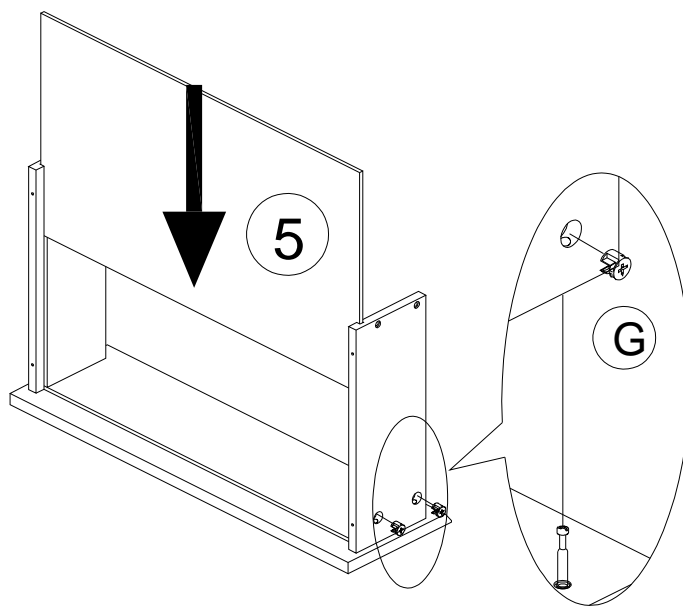
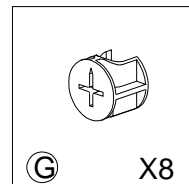
# X2

# STEP 11



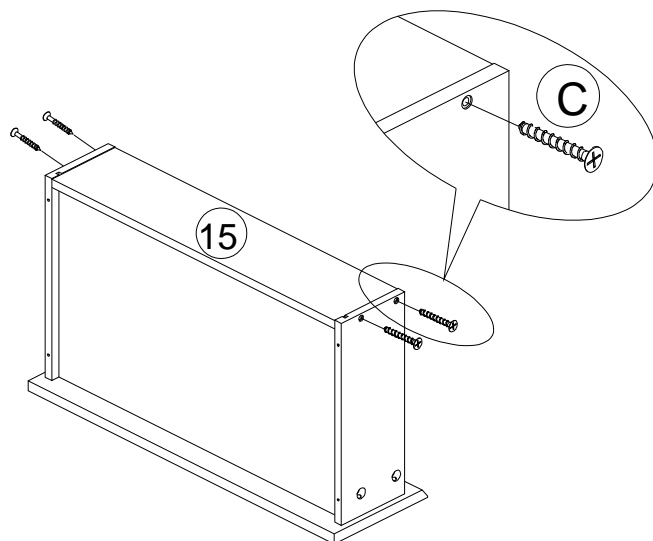
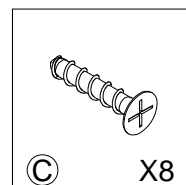
# X2

# STEP 12



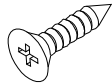

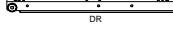
# X2

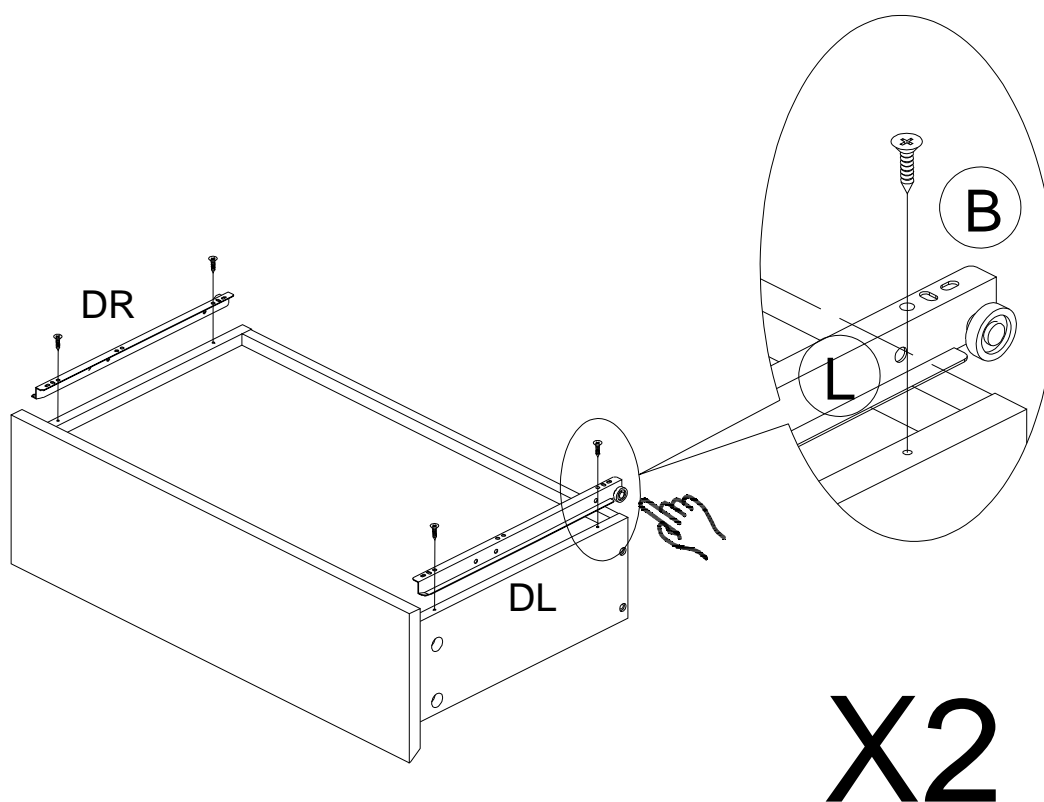
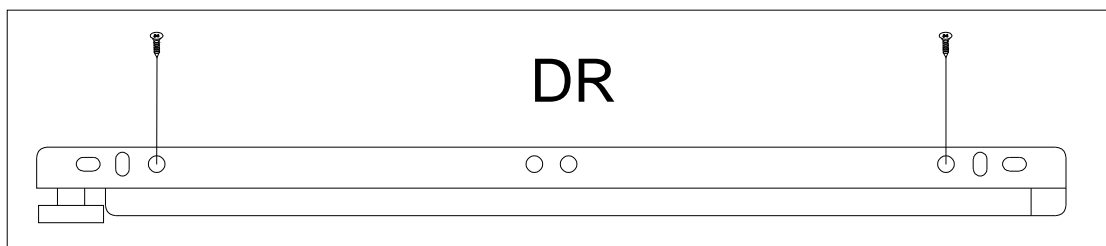
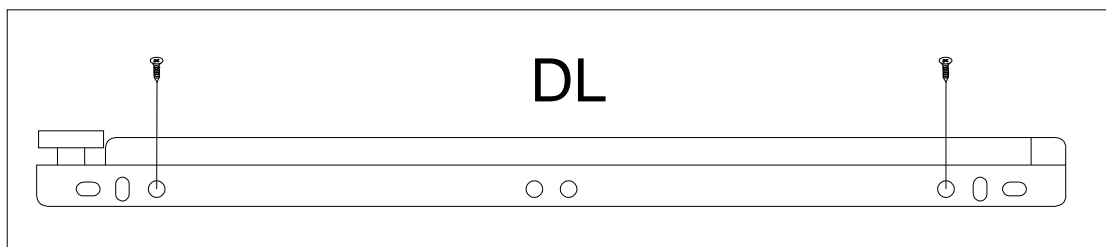
# STEP 13



# X2

# STEP 14

	
	
<b>(B)</b> X8	<b>(L)</b> X2



# STEP 15

