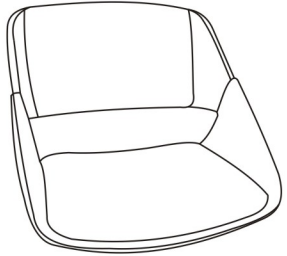


ASSEMBLY INSTRUCTIONS

AX1

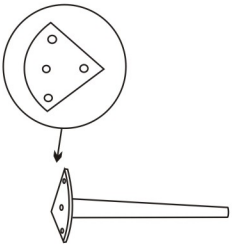


DX12



BX2

Front Leg

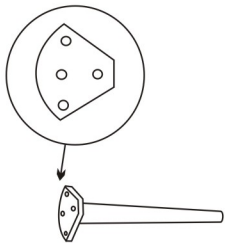


EX1

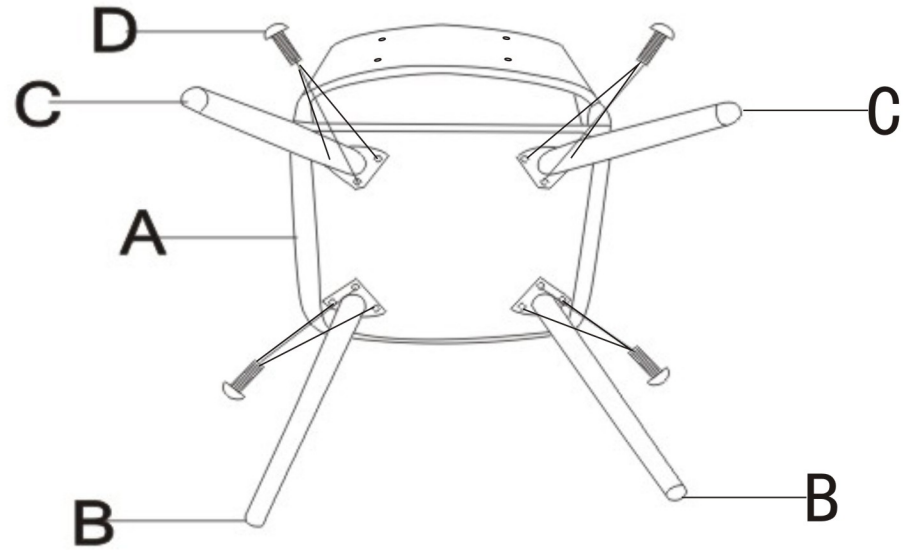


CX2

Back Leg



1



2

