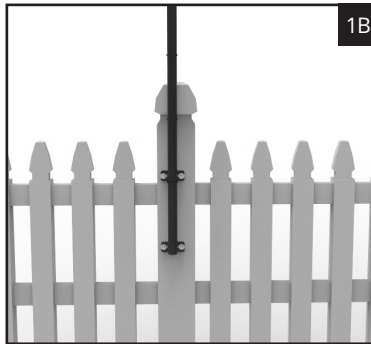
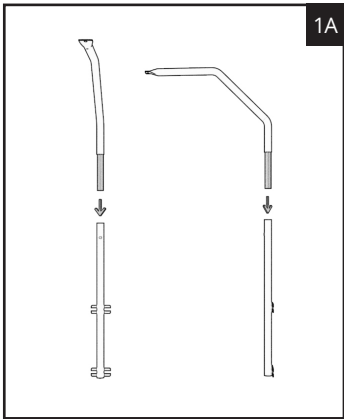


INCLUDED PARTS: *The components listed below are for a 50ft kit. For example, if you purchased a 100ft kit, you would receive 2X the components listed.*

- (6) 2 Piece Curved Dog Arm Extensions
- (1) Bag (100) UV Resistant Zip Ties
- (1) 50 ft Fence Roll (Poly Mesh or Welded Wire)
- (6) Set Screws
- (1) Hex Wrench

Please note: *Fasteners to attach the arms to your fence or wall are not included. The appropriate fasteners needed for different fence types are addressed within the instructions.*

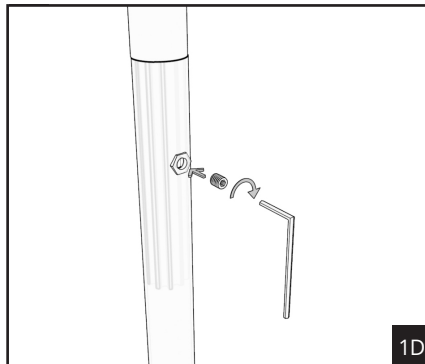
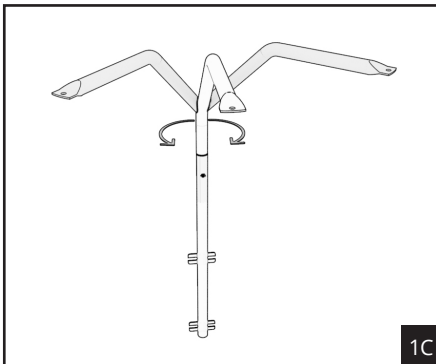
1 SECURE THE ARMS TO YOUR FENCE



Determine Desired Fence Height

1A. The arm extensions are 2 piece and made from combining an upper arm portion and lower bracket portion.

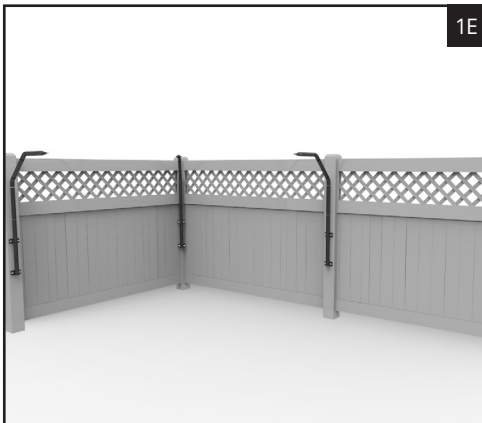
1B. Prior to securing the arms to your posts or wall, hold up the arms to your posts or wall to determine the finished height you want. String or chalk line can be used to keep the height consistent. Max distance between arms is 14' (8-12 feet preferred, especially for larger breed dogs.)



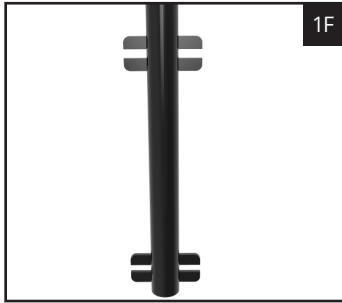
1C. The two piece arm extension allows the upper portion to be positioned at various angles to accommodate corners and turns in your fence line. Corners, for example would require mounting of the lower portion as close to the corner as possible, then turning of the upper portion at at 45 degree angle if it is a 90 degree corner. Always "split the angle" if your inside corner is less than 180 degrees. See **3C-3F** for an examples.

1D. Once you have the upper portion positioned correctly, insert and tighten provided set screw with the included hex wrench to secure the arm extension in position.

1E. The arms have (2) mounting brackets on the lower bracket portion to secure the arms to your fence post, gate, or wall. The open slots of the mounting brackets allow standard sized U-Bolts for metal posts, washer head screws for wood, and masonry fasteners for masonry. See **1F** on next page for more information on fasteners.



FASTENER BASED ON FENCE TYPE



1F. The width of the mounting slots allows the use of fasteners up to 5/16" in diameter. For smaller diameter fasteners like wood screws, it is recommended that a washer be used under the head of the screw so that the washer + screw catches the face of the mounting brackets. The open slots of the mounting brackets allow a number of standard sized U-Bolts to strap the arms to round or square metal posts.

Wood Fence – If you have 4x4 posts with the posts visible from the inside of the fence, use (4) appropriate fasteners to secure the arms directly to the posts. A screw/lag length of 2" or more is recommended. If you cannot see the posts from the inside of the fence, locate and posts and mark the locations on the inside of the fence. Determine what length of screws will be needed to reach and screw into the post at least 2 inches from the inside face of the fence. If your posts are round metal posts, follow the instructions for Chain Link fence.

Masonry Wall – The Fence Extender Arms most easily secure to a masonry wall with masonry fasteners. Walls vary greatly so it is difficult to say which fastener size and length would work best for your needs. A standard cinder block wall would use 1/4" or 5/16" diameter masonry screws 1 1/2" long. Longer screws are unnecessary due to the void spaces on cinder block.

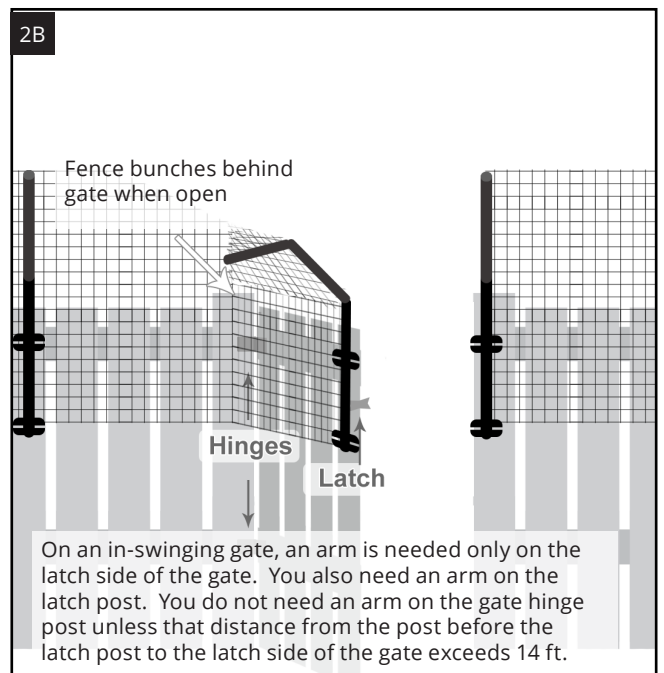
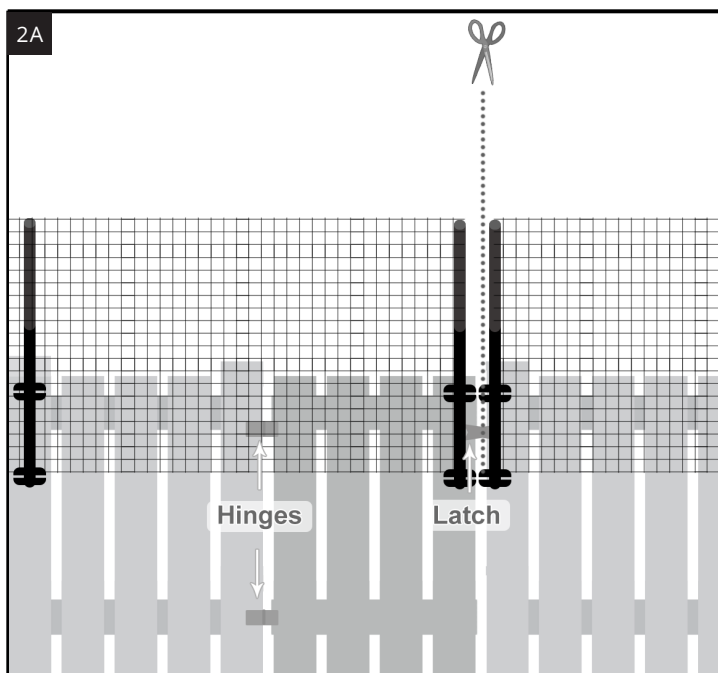
Chain Link – The Fence Extender Arms will clamp onto the round metal posts with U-Bolts. Find the diameter of your chain link posts by measuring the post circumference with a soft measuring tape and divide that measurement by 3.14 (π) to get the diameter. We have U-bolts available in sets of two (one set good for one arm) in 1 3/8", 1 5/8", 2", and 2 1/2". U-bolts can also be found at hardware stores.

Decorative Aluminum and Steel Fences – This fence type looks similar to wrought iron estate fencing and has square posts. The Fence Extender arm can clamp onto the post with square U-bolts. We stock U-bolts for the most common size which is for 2" wide posts.

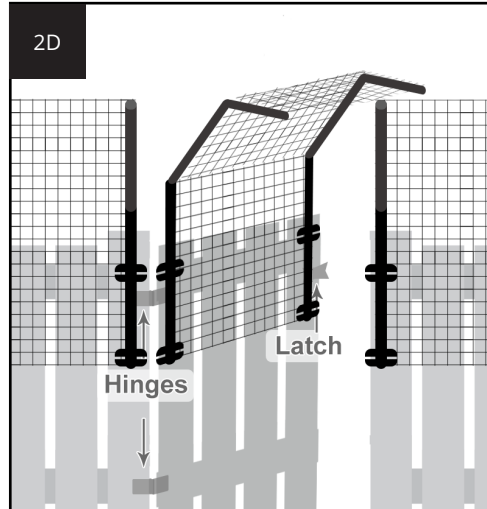
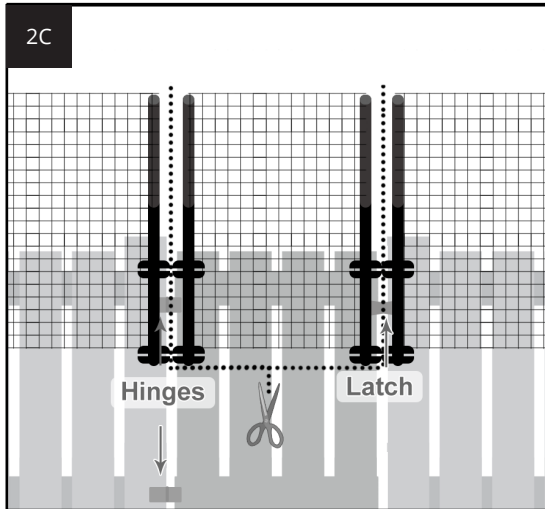
Vinyl Fence – Most vinyl fences have hollow posts. The simplest way to secure the arms to a vinyl post is to screw into a piece of wood placed inside of the post. Mark the post and drill holes through the face of the plastic posts for screws. Take the post cap off and insert an 18" to 24" section of 2x4 inside the post against the inside face with holes. Run screws through the Fence Extender Arm, through the drilled holes in the post and into the 2x4. Please note: Since the posts are hollow plastic, if enough force is place on an arm, the post may shatter.

2 **INSTALLING ARMS ON GATES**

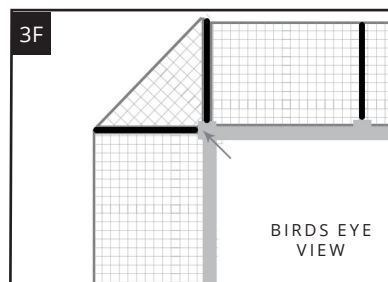
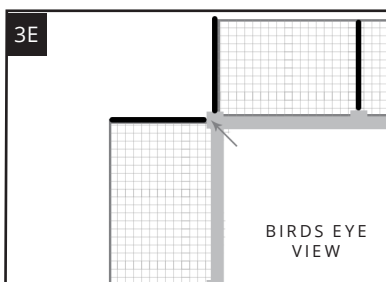
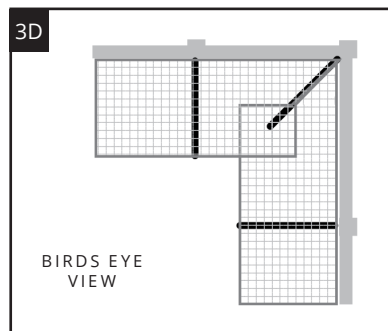
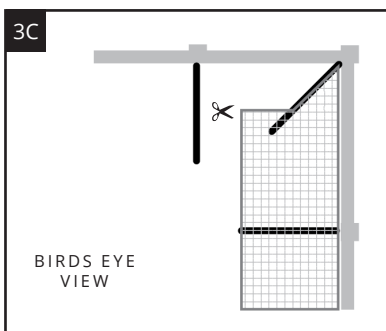
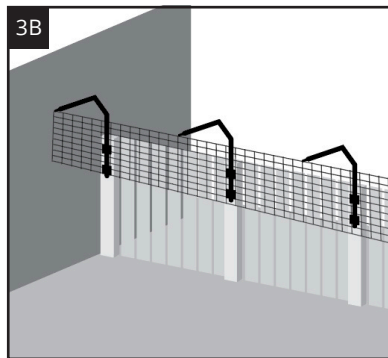
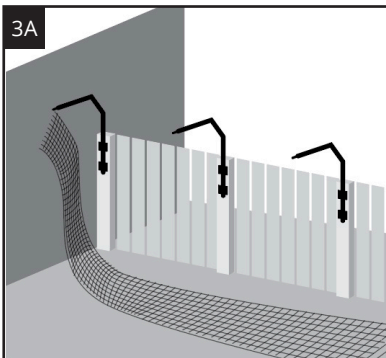
FOR INWARD SWINGING GATES WITH POLY MESH



FOR OUTWARD SWINGING GATES & INWARD SWINGING GATES W/ WELDED WIRE METAL FENCE



3 INSTALLING FENCING MATERIAL ONTO ARMS

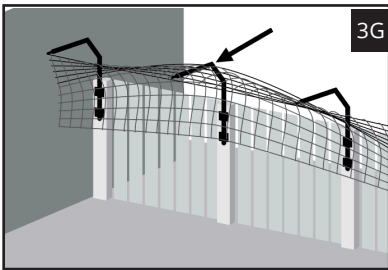


Install mesh fencing material one side at a time

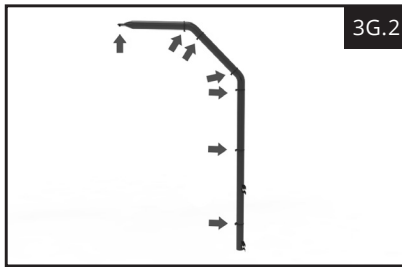
- 3A.** Unroll the fence and lift it and hang the top edge of fence from the tips of the arms with the included zip ties. Do not try to pull it overly tight between arms.
- 3B.** Now you have the fence hanging from the tips of all the arms on a side.
- 3C.** At corners the arms are angled relative to the rest of the arms in the sections which makes them "shorter". To adjust for this, attach the fence 4 squares in from the edge of the fence.
- 3D.** Run the fence slightly past the corner and cut the fence off the roll.

Outside Corners

- 3E.** Outside corners require 2 arms formed in a 90 degree angle on the corner post as shown.
- 3F.** Cut fence on turns. A separate piece of fencing is required for the outside corner between the arms.



3G



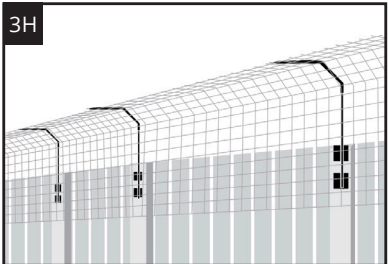
3G.2

Install mesh fencing material one side at a time

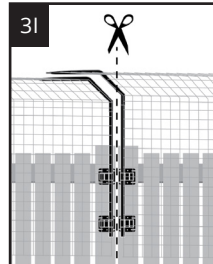
3G. Lift the middle of the fence up and zip-tie it to the arm where shown. (**5G.2**)

3H. Continue lifting fence and zip-tying to the sides until all arms are secured to the mesh fence.

3I. At gates, cut the fence between the arms to allow the gate to open.

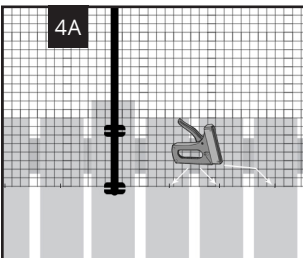


3H

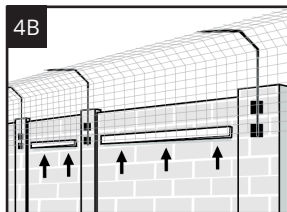


3I

4 SECURING BOTTOM OF MESH FENCE



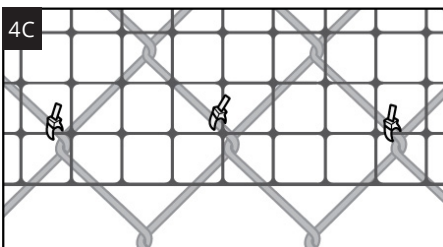
4A



4B

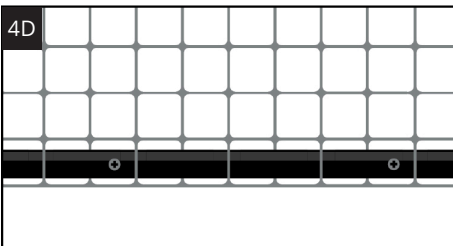
4A. Wood Fence - Use staples to secure the bottom edge of supplied fencing material to your fence. Stainless steel staples are recommended for staple gun-type staples. You can also use a pneumatic/battery narrow crown stapler. The best hammered staples are Romex staples found in the electrical dept of most home stores. Use three staples per foot. Trim excess mesh fencing below arm bottom if needed.

4B. Masonry Wall - One option is to secure strips of wood to the wall between arms and staple the fencing to the wood. Another option is to use masonry screws with large (fender) washers to catch the grid joints of the fence. We also offer a thick band of nylon that can be secured to your wall every few feet and the fence secured to it with zip ties. It is stretched and acts like a tight bungee cord when properly installed ([see PVC/Wall Kit](#)). Please contact us for alternate suggestions.



4C

4C. For Metal Fences - The dog fencing can be secured to your chain link fence or top rail with zip ties. We recommend Heavy Duty Ties like used to install the fencing to the Fence Extender Arms. Another option is hogrings to secure the dog fence directly to the chain link mesh. We recommend the Stanley Ringer Style Hogrings tool ([see Hogrings & Rings](#)).



4D

4D. Vinyl / PVC Fence - We offer a thick band of nylon that can be secured to your wall every few feet and the fence secured to it with screws. It is stretched and acts like a tight bungee cord when properly installed ([see PVC/Wall Kit](#)).

4E. Decorative Aluminum & Steel Fences (not shown) – Secure the dog fencing with zip ties to the pickets or top rail. We recommend Heavy Duty Zip Ties like those supplied to secure the dog fencing to the Fence Extension Arms.