



10 : 00

estimated
installation time



1 or more

people required

Ok, let's
get started!



- Put on mood music!
- To prevent damage to product, use the clean side of package carton or rug as working surface.
- In the event of missing or damaged parts, delivery problems etc., please reach out to our team.
We will be happy to fix the problem!

care guide

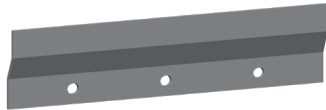
- Clean regularly with a soft and dry cloth.
- To protect finish, avoid use of abrasive cleaners.
- Wipe up spills immediately. Please!



product parts

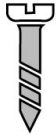


(A)
Mirror
x1



(B)
French Cleat
x1

what's included



(C) - Screw
x3



(D) - Wall Plug
x3

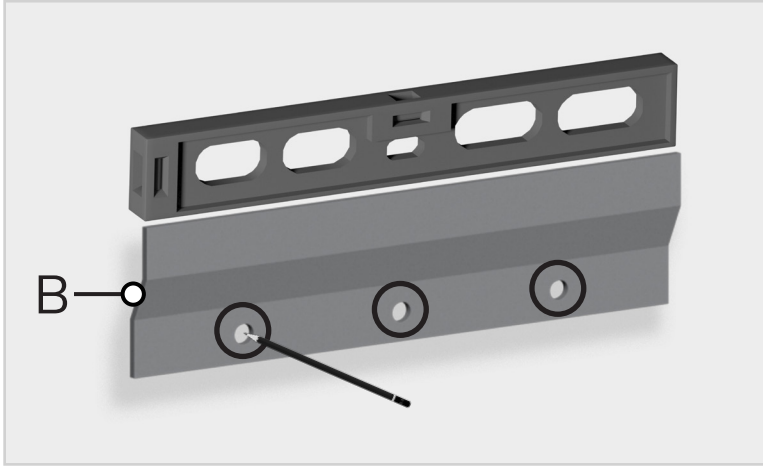
installation instructions

Take a deep breath going in.
This is easy even if you are not
used to tools. Just follow these
steps to the T, and the
outcome will be
worth it!



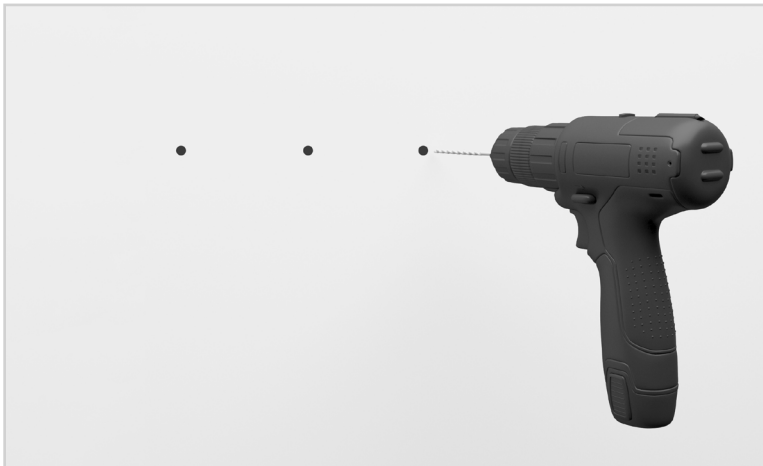
step 1:

Start by placing French cleat (B) on the wall you want to hang the mirror on and put a spirit level on it to check alignment. Adjust if needed. Once it is in a straight alignment, mark the wall through the pre-drilled holes on French cleat (B). Take this image as a reference.



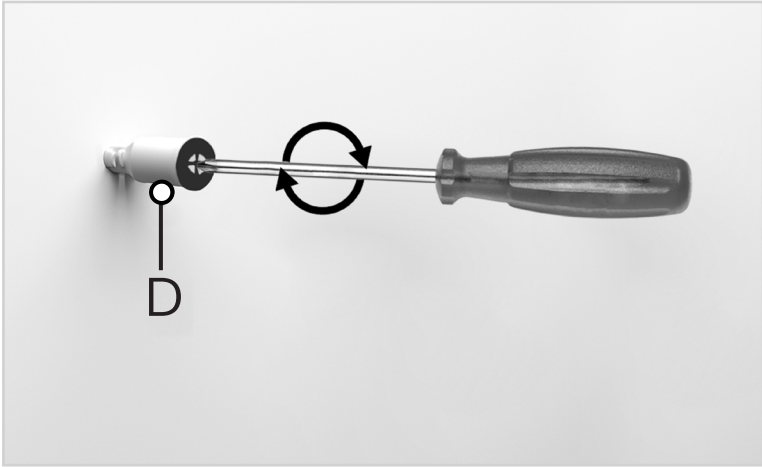
step 2:

Drill three holes (approx. 10 mm into the wall) on the points you just marked.



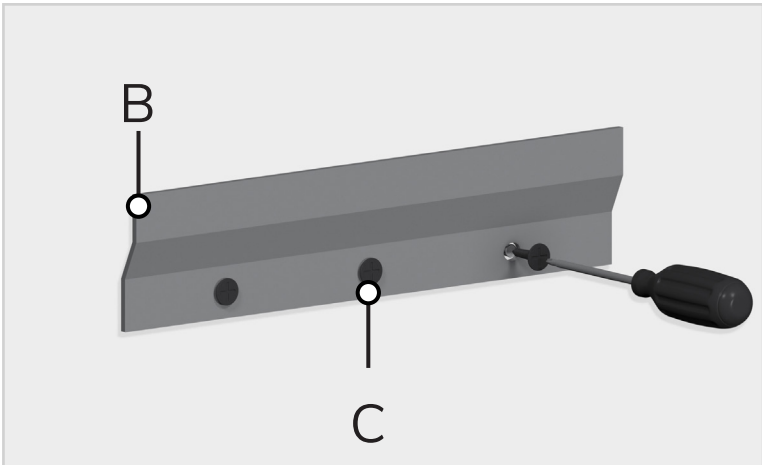
step 3:

Using a screwdriver, insert wall plugs (D) inside the holes.



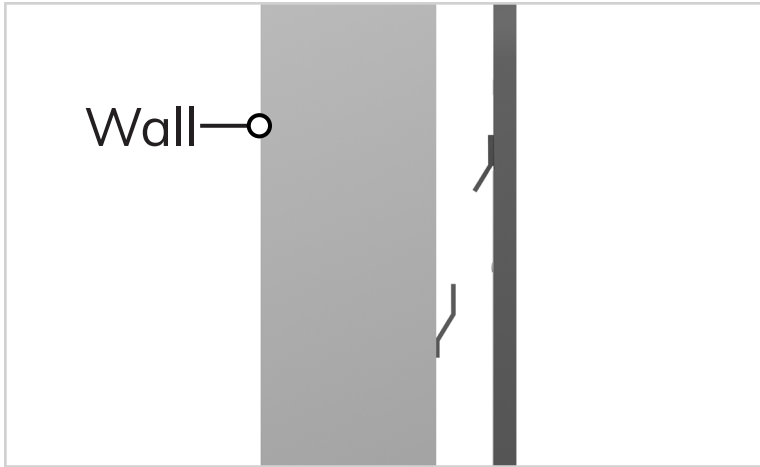
step 4:

Place the french cleat over the wall plugs and fix screws (C) into the wall plugs (D). Use a screwdriver to make sure they are secure.



step 5:

Note the French cleat bracket prefixed on the mirror (A). Place the mirror's bracket into the French cleat (B) on the wall.



Voila! Your mirror is now installed and secure!

you've
got
a home
with us

