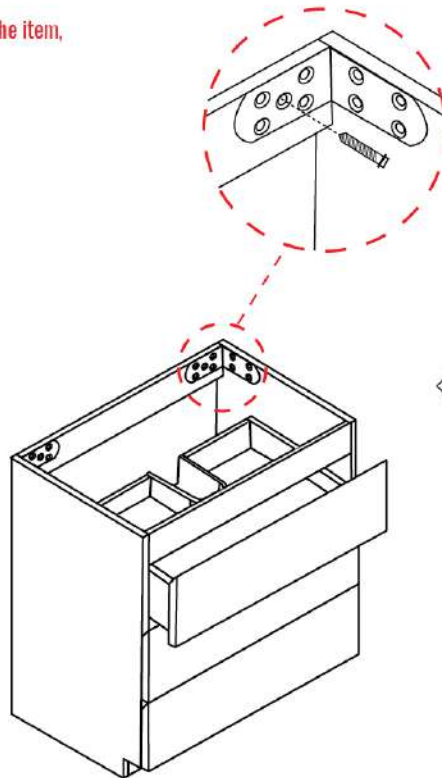
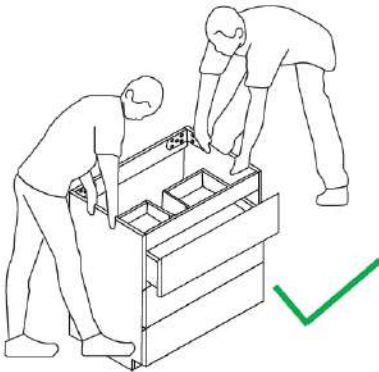
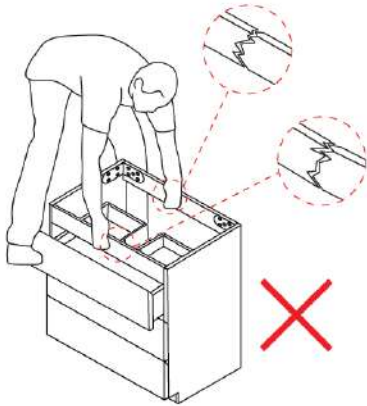
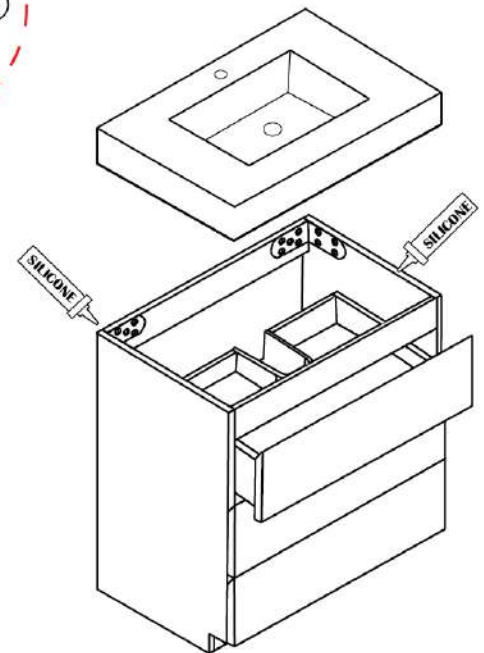


Freestanding Vanity Installation Guide

 Please unpack/install the base by holding it on the side of the item, not the front or the back piece.



 Please fix the cabinet with M6x65 screws which included in the hardware pack. Make sure screw were installed on the wooden stub of the wall.



 Seal the sink onto the base by silicone glue and press firmly into its place. Wipe away any excess silicone sealant with a damp cloth.