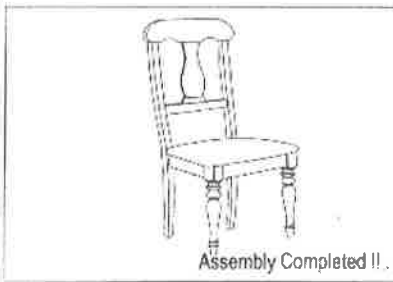


ASSEMBLY INSTRUCTION

DESCRIPTION : SPLAT BACK SIDE CHAIR

Thank You for purchasing this quality product. Be sure to check all packing material carefully for small parts which may have come loose inside the carton during shipment. Identify and count all parts and compare with the parts List Below .



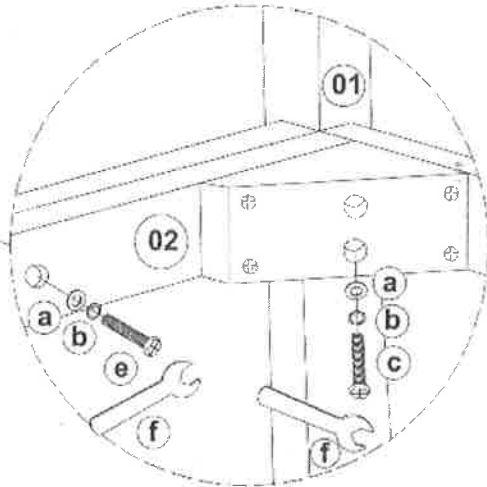
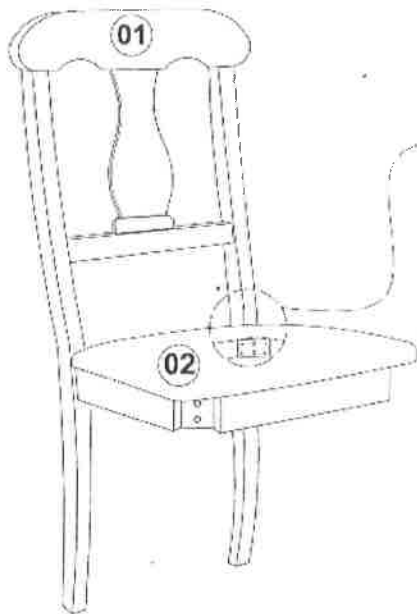
List of Part For 1 Set

01		Chair Back	1
02		Seat Frame	1
03		Front Leg	2

List of hardware For 1 Set

a		Flat Washer 2" x 18mm	10	e		Hex.Bolt M6 x 40mm	2
b		Spring Washer 2"	10	f		Spanner	1
c		Hex Bolt M6 x 80mm	4				
d		Hex Bolt M6 x 60mm	4				

Step 1



Step 2

