







# PARSON CHAIR

Oyster Fabric  
Grey Fabric

Examine all packaging material for small parts that may have come loose during shipment. Periodic checks are recommended to insure that all components are in proper position, tight and free from damage. Keep this assembly instruction for future reference. Adult assembly is required. This product is designed for residential use only.

## HARDWARE LIST

- A (1) 5/16" x 1-3/4" Bolts
- B (4) 5/16" x 3-1/4" Bolts
- C (4) 5/16" x 2-1/4" Bolts
- D (9) Spring Washers
- E (9) Flat Washers
- F (1) Allen Wrench

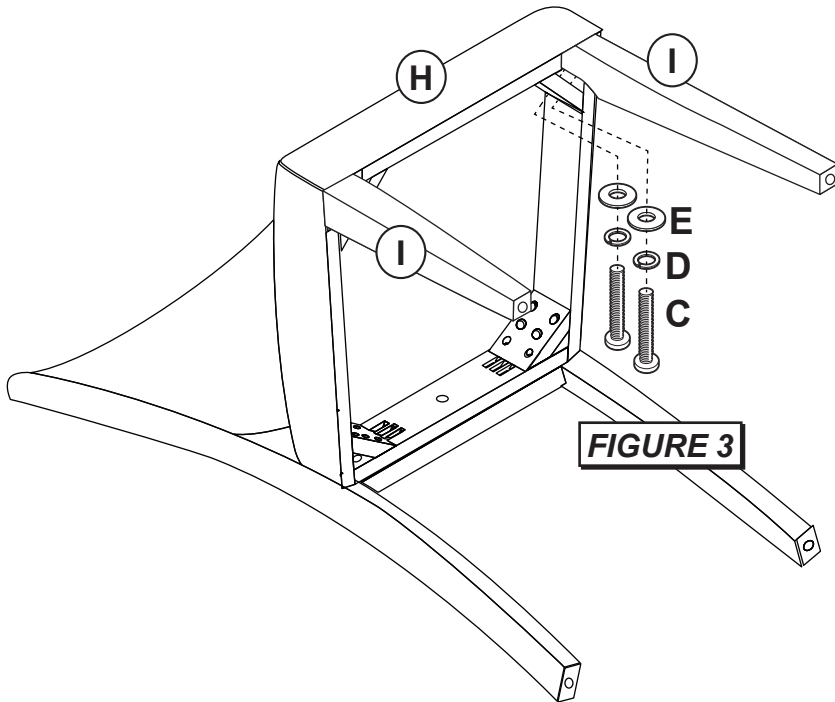
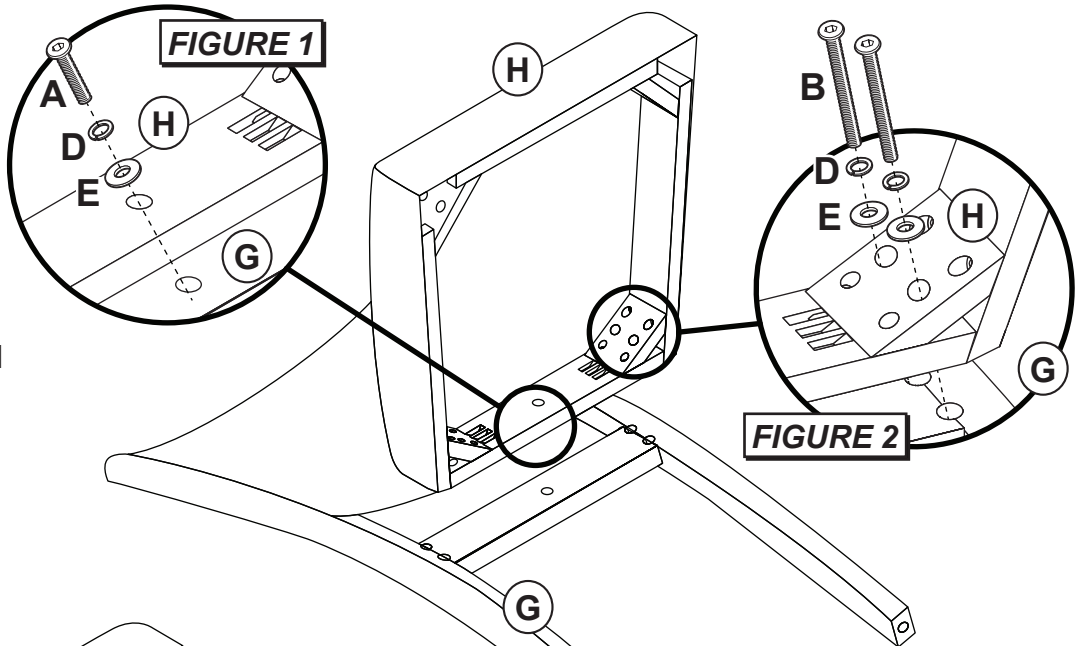
PART	QTY	HARDWARE	PART	QTY	HARDWARE
A	1		B	4	
C	4		D	9	
E	9		F	1	

## PARTS LIST

- G (1) Chair Back
- H (1) Seat
- I (2) Front Legs

### STEP 1 - Figure 1

Begin assembly by attaching Seat (H) to Chair Back (G) using 1 Bolt (A), 1 Spring Washer (D) and 1 Flat Washer (E) from the center.



### STEP 2 - Figure 2

Next secure Seat (H) to Chair Back (G) using 2 Bolts (B), 2 Spring Washers (D) and 2 Flat Washers (E) from the each side.

### STEP 3 - Figure 3

Finally attach Front Legs (I) to Seat (H) using 2 Bolts (C), 2 Spring Washers (D) and 2 Flat Washers (E) per leg. Tighten all bolts using Allen Wrench (F) provided. The assembly is now complete.

**CARE & MAINTENANCE:** The touch of a soft cloth is all the maintenance the finish will ever need. Please do not use harsh or abrasive cleaners for polishing, as they may cause damage to the finish. Periodic checks are recommended to make sure that all hardware is securely tightened.